

SCORPION 1033 VARIPOWER

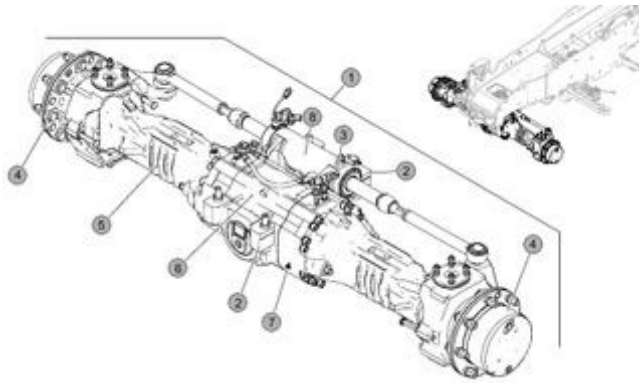
Repair manual

Validity of manual

Machine	Type	Vehicle identification number	
		From	to
SCORPION 1033 VARIPOWER	K34	K34 00 021	K34 99 999
SCORPION 1033 VARIPOWER	K34	K34 00 021	K34 99 999

Front steering drive axle

Technical specifications



Ⓟ

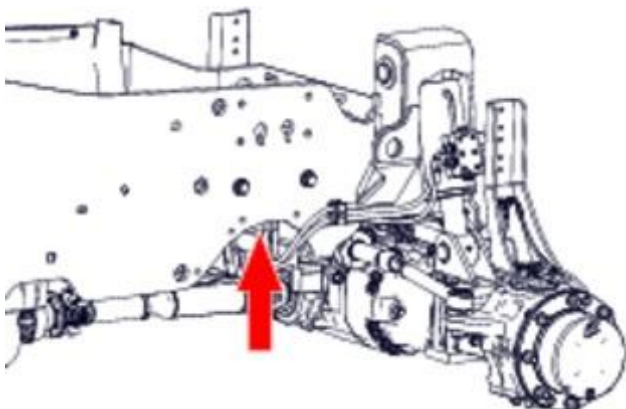
	Value	CCN	Remark / designation	
1			Front steering drive axle	
2			Front steering drive axle bearing	
3		B12-LWT	Parking brake pressure switch	
4			Wheel hub	<u>Wheel hub</u>
5			Axle body	<u>Axle body</u>
6			Bevel gear drive	<u>Bevel gear drive</u>
7			Service brake	<u>Service brake</u>
8		45-LWT	Steering hydraulic cylinder	<u>Steering hydraulic cylinder</u>
Tightening not specified, see Introduction / tightening torque chapter				

Removing

- Move the machine to maintenance position I.

Moving the machine to the waiting position

- Disconnect the battery isolating switch.

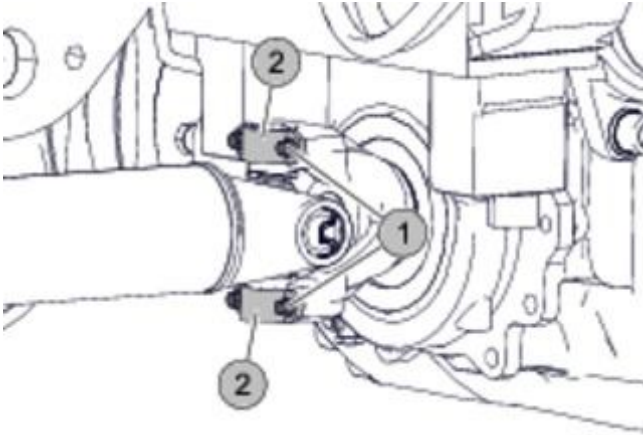


► Jack up the machine at the front beneath the carrier frame.

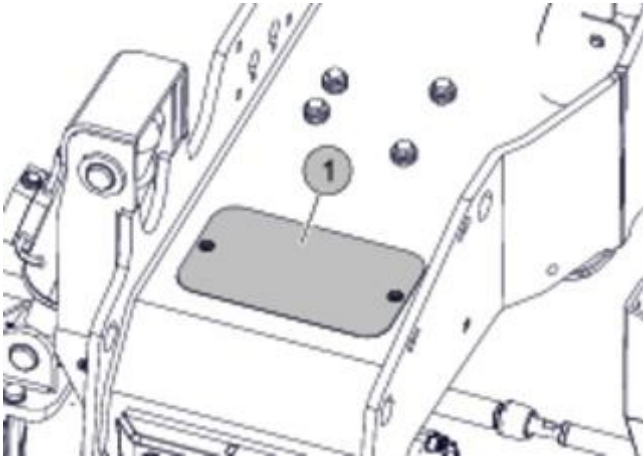
- Remove the front wheels.

- Remove the front mudguard.

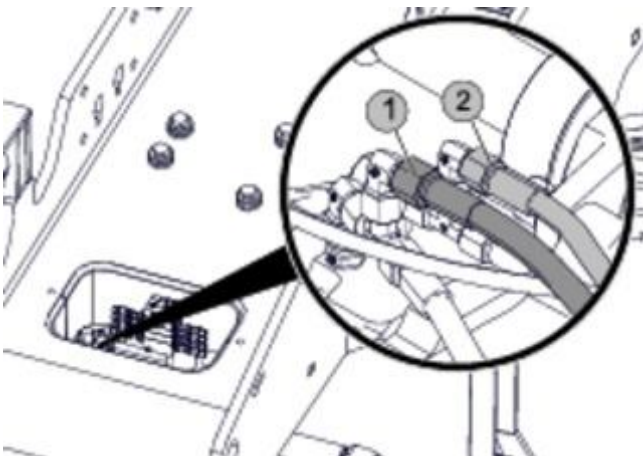
Mudguard



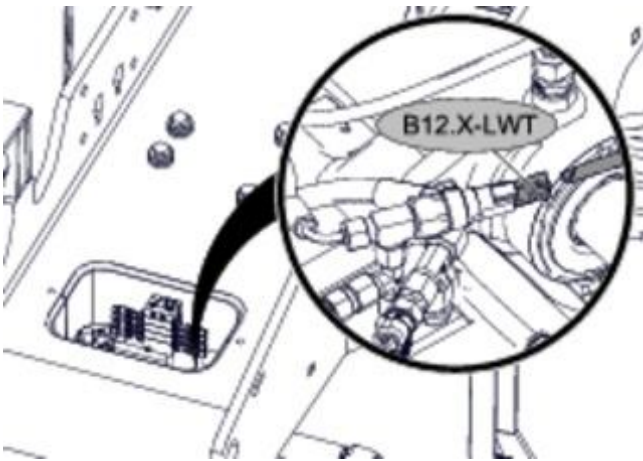
- ▶ Unscrew bolts (1).
- ▶ Remove split shells (2).



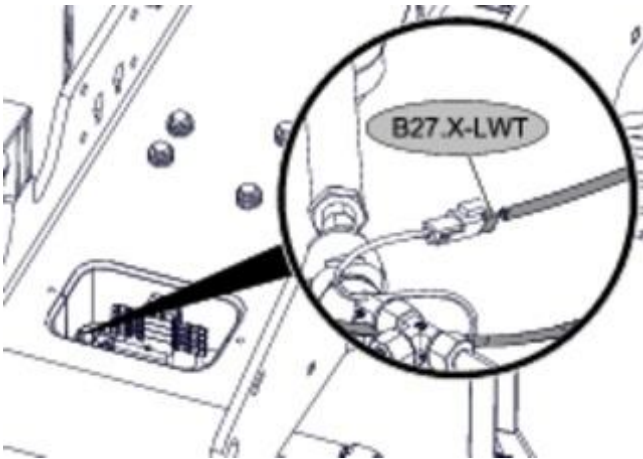
- ▶ Unscrew plate (1).



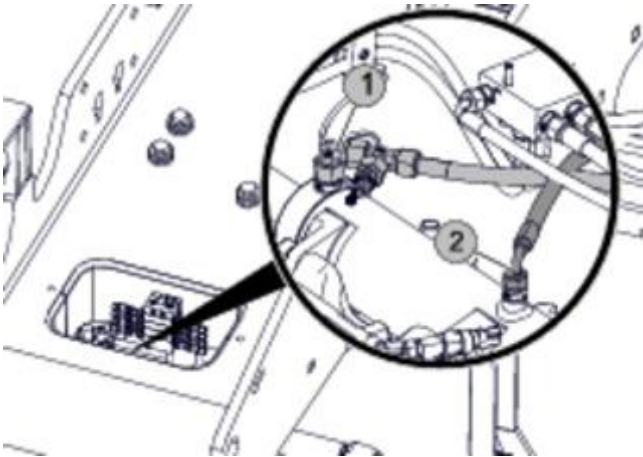
- ▶ Unscrew brake hydraulic lines (1) and (2).



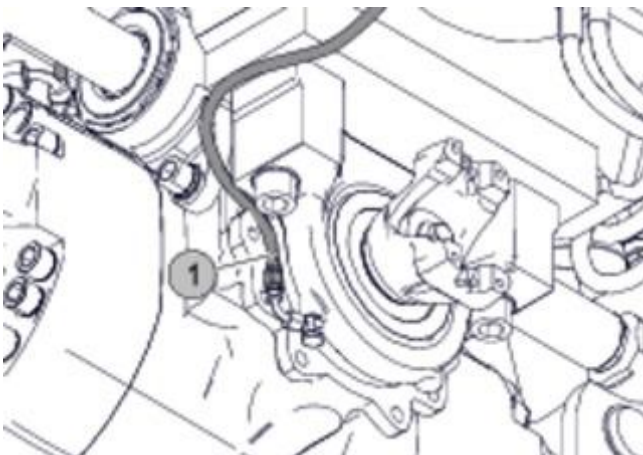
- ▶ Disconnect cable plug (B12.X-LWT).



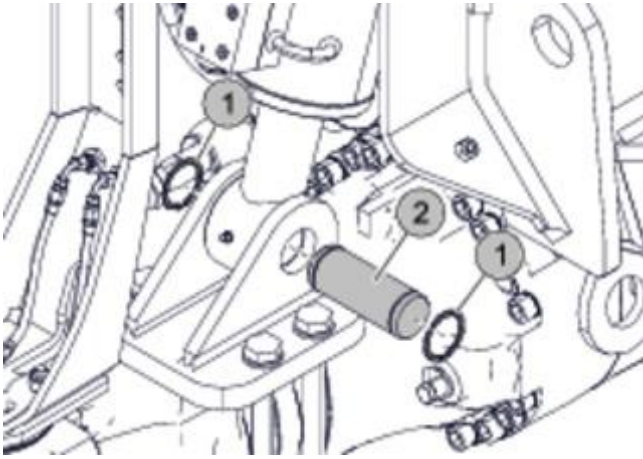
- ▶ Disconnect cable plug (B27.X-LWT).



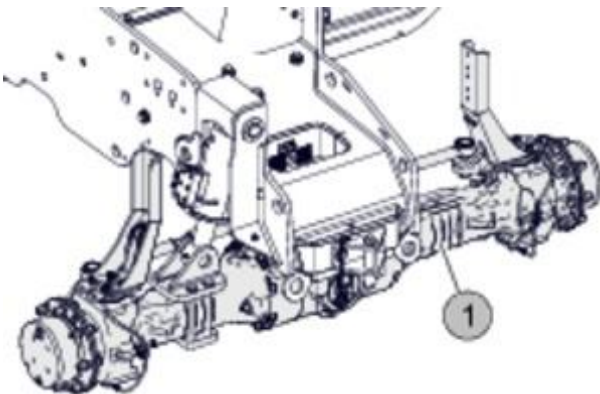
- ▶ Unscrew steering hydraulic lines (1) and (2).



- ▶ Remove lubrication line (1).



- ▶ Remove the circlips (1).
- ▶ Remove pin (2) from hydraulic cylinder (645-LWT).



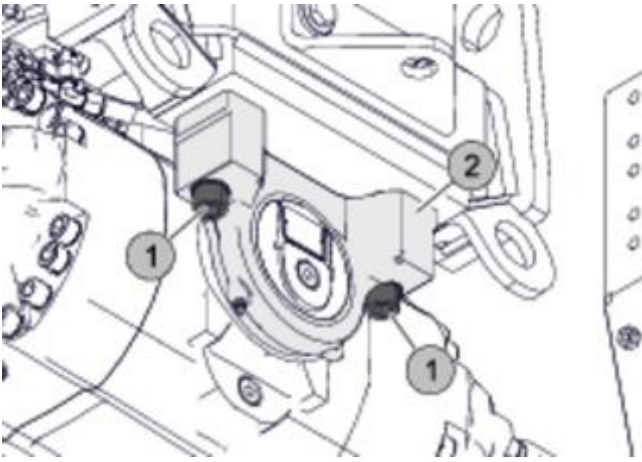
⚠ WARNING

Lifting heavy components.

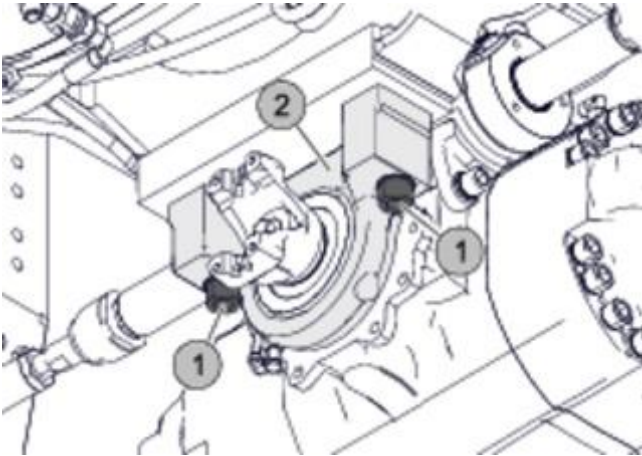
Risk of death or serious injury.

- ▶ Use a lifting tool with a sufficient bearing load.
- ▶ Use a lifting tool that operates reliably.
- ▶ Use the lifting tool on solid and even ground.
- ▶ Attach the lifting tool to the component at the intended or a suitable position.
- ▶ Only use faultless and sufficiently dimensioned lifting accessories.
- ▶ Protect lifting accessories against sharp corners and edges, for example using protectors.

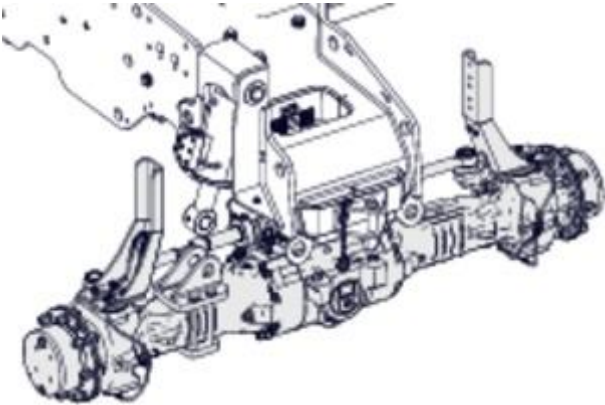
-
- ▶ Suspend drive axle (1) in a suitable lift device.



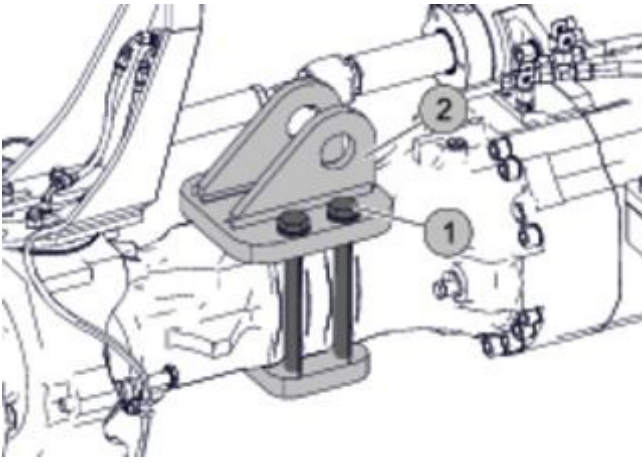
- ▶ Unscrew bolts (1).
- ▶ Slacken off the front plummer block housings (2) by applying slight blows with a plastic-tip hammer.



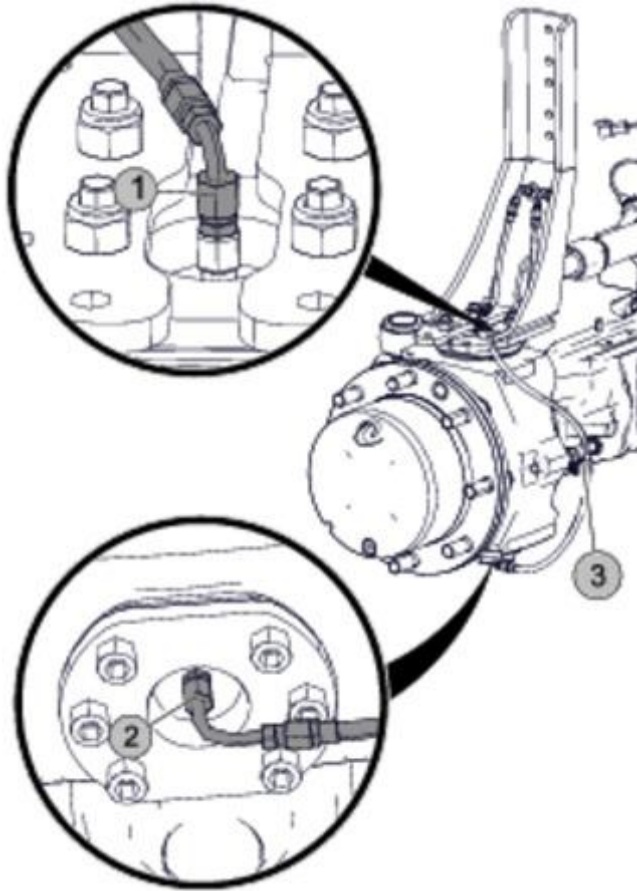
- ▶ Unscrew bolts (1).
- ▶ Slacken off the rear plummer block housings (2) by applying slight blows with a plastic-tip hammer.



- ▶ Lower the steering drive axle carefully.
 - ▶ Make sure that no lines or wiring looms will impede removal.

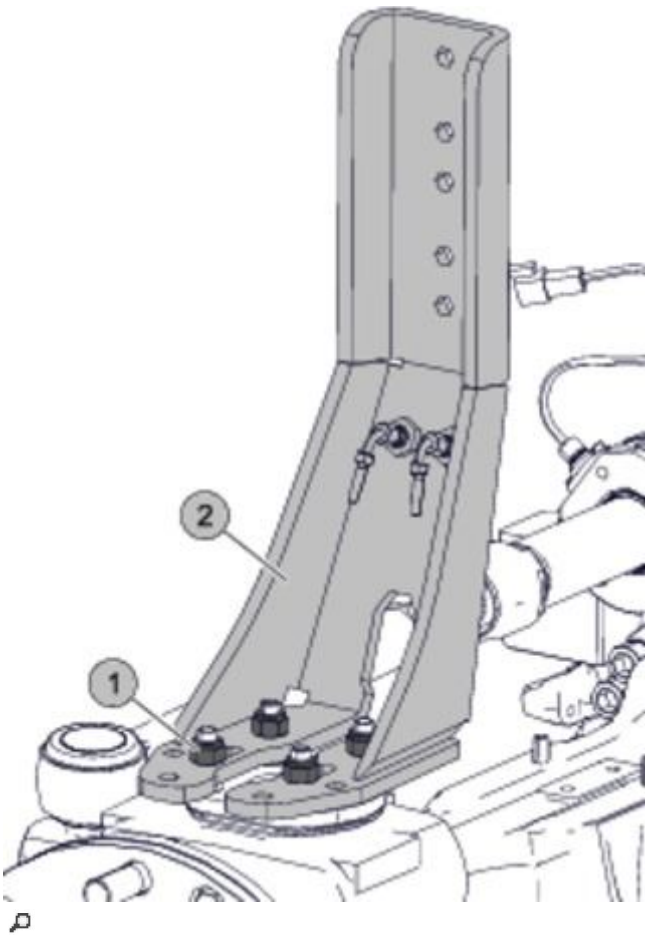


- ▶ Unscrew bolts (1) and remove bracket (2).



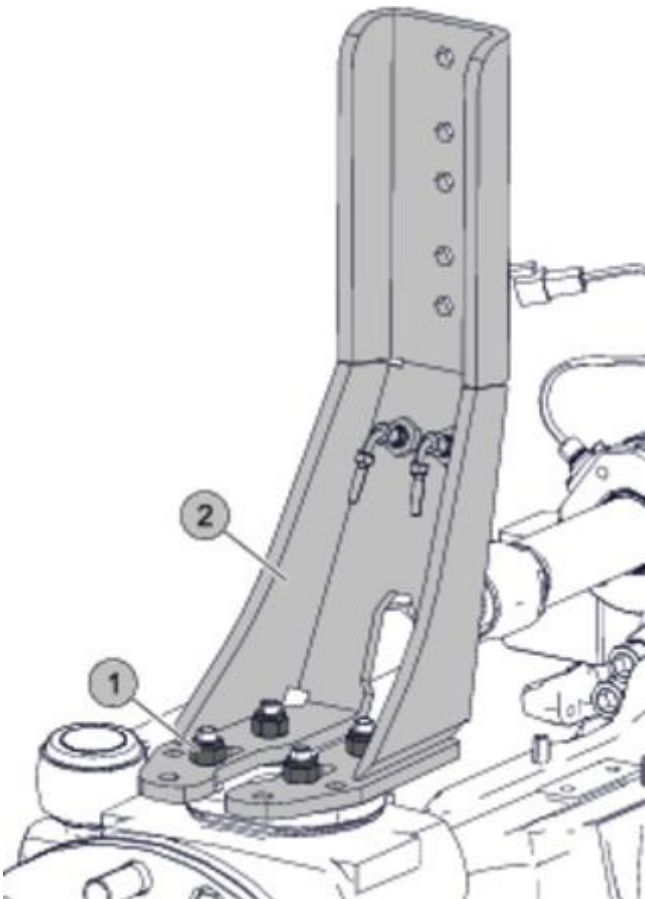
⌘

- ▶ Unscrew lubrication lines at (1) and (2).
- ▶ Unscrew hose clamp (3).
- ▶ Repeat this process on the other side of the axle.



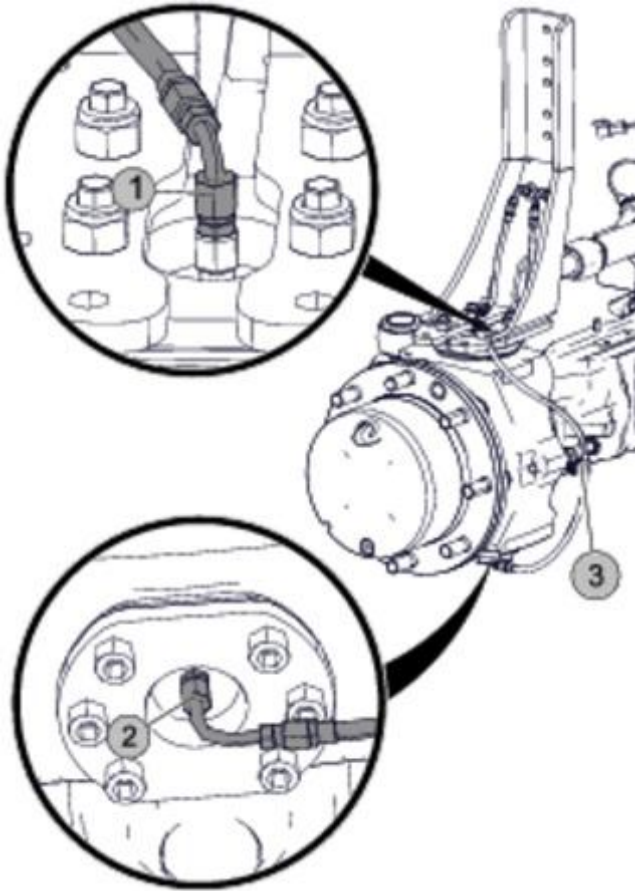
- ▶ Unscrew nuts (1).
- ▶ Remove brackets (2).
- ▶ Repeat this process on the other side of the axle.

Installing



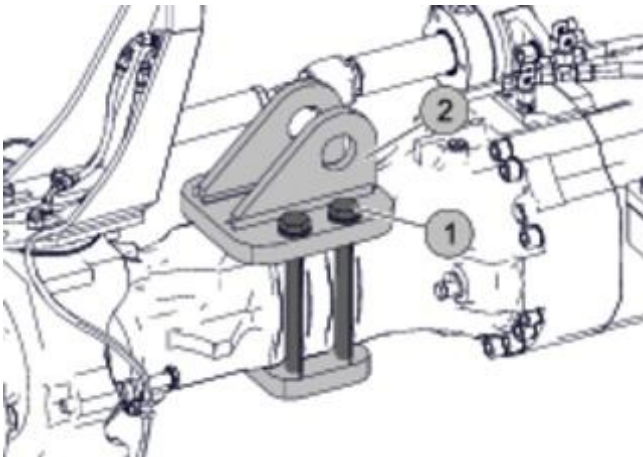
D

- ▶ Bolt down bracket (2) with nuts (1).
- ▶ Repeat this process on the other side of the axle.

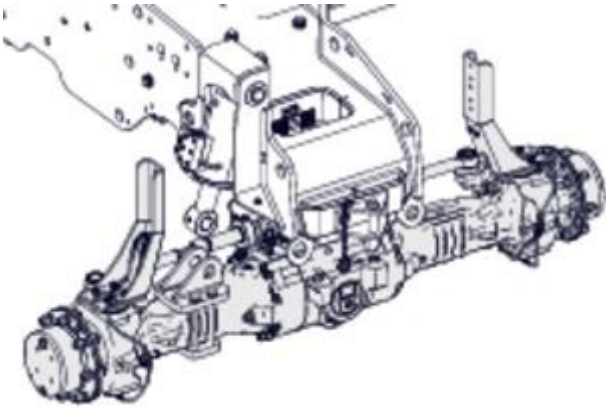


D

- ▶ Screw on lubrication lines at (1) and (2).
- ▶ Fix the lubrication line with hose clamp (3).
- ▶ Repeat this procedures on the other side of the axle.



- ▶ Bolt down bracket (2) with bolts (1).



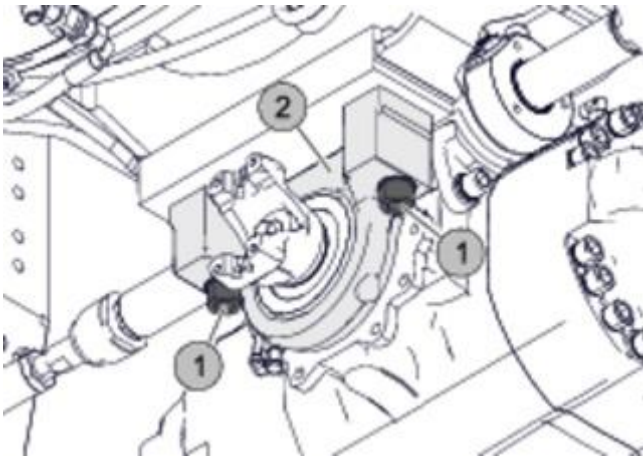
⚠ WARNING

Lifting heavy components.

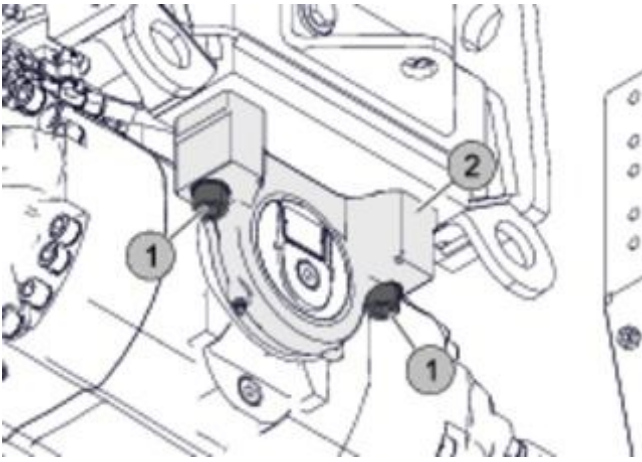
Risk of death or serious injury.

- ▶ Use a lifting tool with a sufficient bearing load.
- ▶ Use a lifting tool that operates reliably.
- ▶ Use the lifting tool on solid and even ground.
- ▶ Attach the lifting tool to the component at the intended or a suitable position.
- ▶ Only use faultless and sufficiently dimensioned lifting accessories.
- ▶ Protect lifting accessories against sharp corners and edges, for example using protectors.

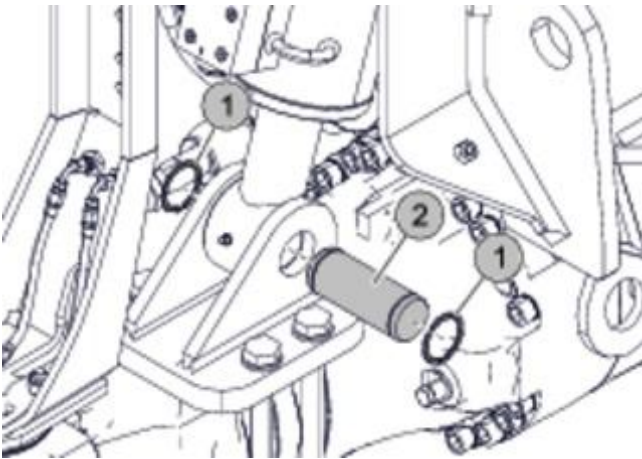
-
- ▶ Move the drive axle to the installation position with a suitable lift device and hold it there.
 - ▶ Make sure that no lines or wiring looms will impede removal.



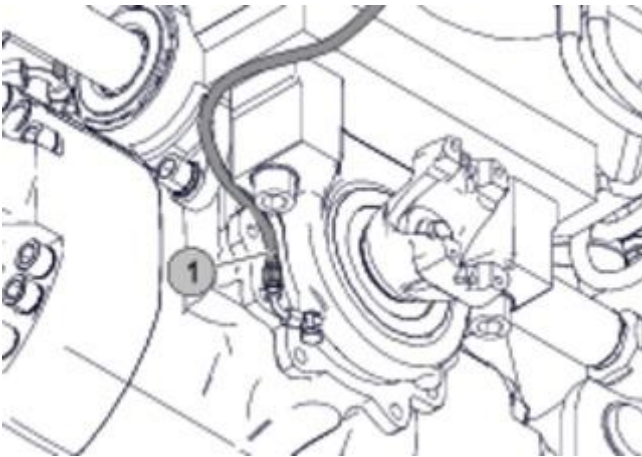
- ▶ Bolt down rear plunger block housing (2) with bolts (1).



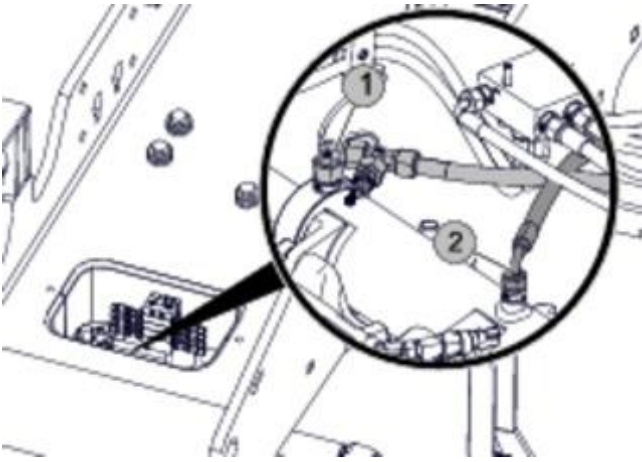
- ▶ Bolt down front plummer block housing (2) with bolts (1).



- ▶ Install pin (2) of hydraulic cylinder (645-LWT).
- ▶ Insert circlips (1).



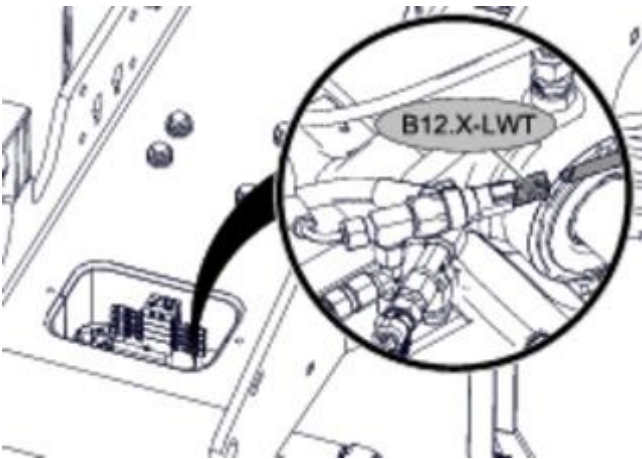
- ▶ Fit lubrication line (1).



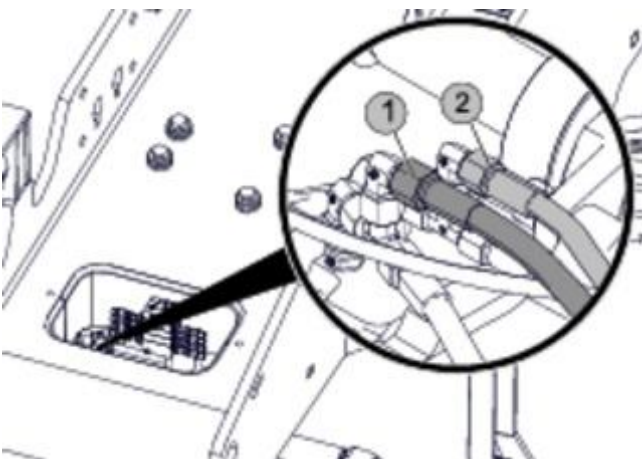
- ▶ Screw on steering hydraulic lines (1) and (2).



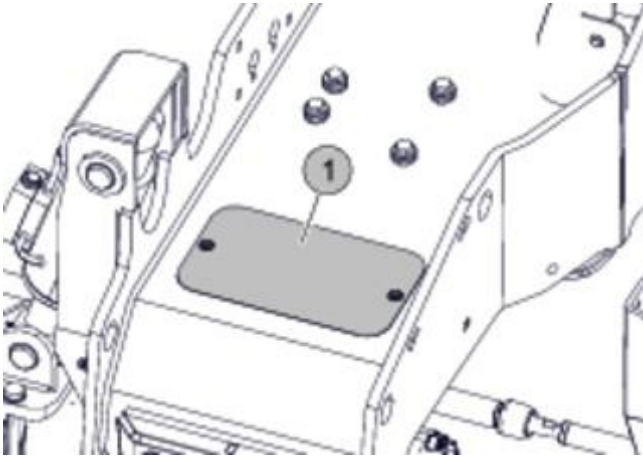
- ▶ Connect cable plug (B27.X-LWT).



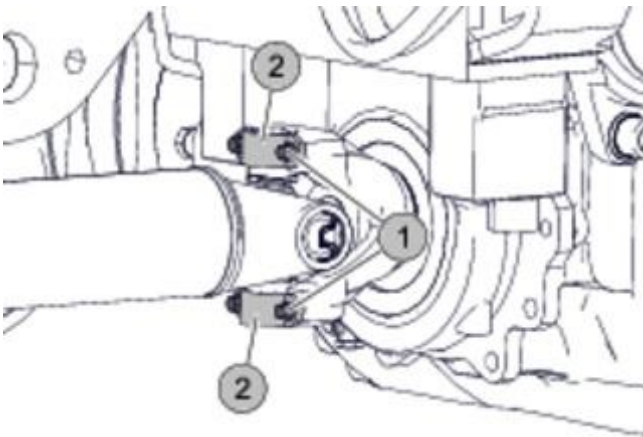
- ▶ Connect cable plug (B12.X-LWT).



- ▶ Bolt down brake hydraulic lines (1) and (2).



- ▶ Screw on the sheet metal (1).



- ▶ Bolt down split shells (2) with bolts (1).
For tightening torque see the technical specifications of universal drive shafts:
Universal drive shafts

- Install the front wheels.

- Install the front mudguard.

- Connect the battery isolating switch.

Mudguard

Buy Now



Our support email:

ebooklibonline@outlook.com