

SCORPION 635 VARIPOWER

SCORPION 732 VARIPOWER

SCORPION 736 VARIPOWER

SCORPION 741 VARIPOWER

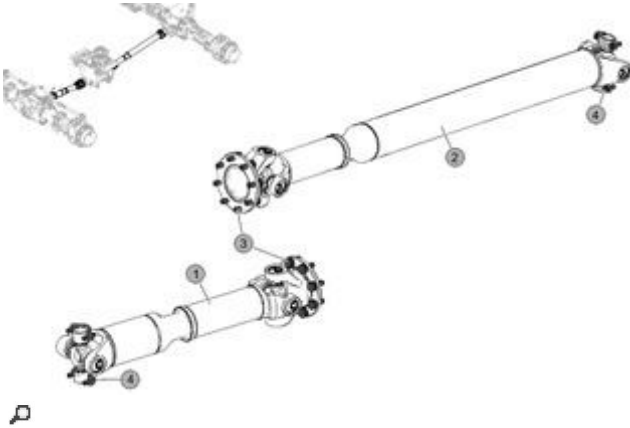
Repair manual

Validity of manual

Machine	Type	Vehicle identification number	
		From	To
SCORPION 635 VARIPOWER	K30	K30 00 021	K30 99 999
SCORPION 732 VARIPOWER	K31	K31 00 021	K31 99 999
SCORPION 736 VARIPOWER	K32	K32 00 021	K32 99 999
SCORPION 741 VARIPOWER	K33	K33 00 021	K33 99 999

Universal drive shafts

Technical specifications



	Value	CCN	Remark / designation	
Tightening not specified, see Introduction / tightening torque chapter				
1			Front universal drive shaft	
2			Rear universal drive shaft	
3			Flange mounting bolts - Insert bolts with LOCTITE 243.	
4	38 Nm		Spilt shells mounting bolts - Insert bolts with LOCTITE 243.	

Work preparation

Utilities:

- ▶ Sealing agents and glue:
LOCTITE 243 - 60 0571 153 1

Removing

WARNING!

Rotating universal drive shafts.

Death or serious injury.

- ▶ Carry out work on the universal drive shafts only with the drive disengaged and the engine stopped.
- ▶ Remove ignition key.

WARNING!

Incorrect installation of universal drive shafts.

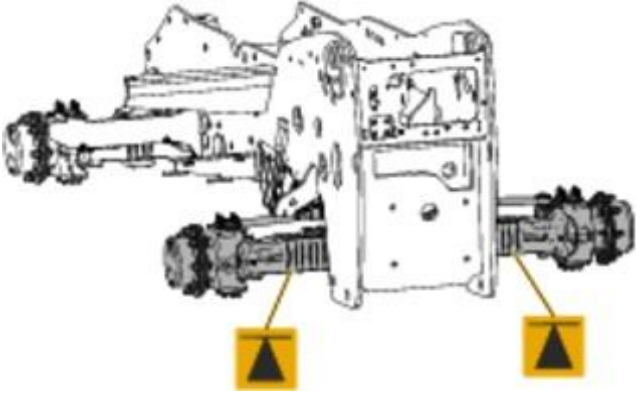
Death or serious injury.

- ▶ Strictly comply with instructions.

- Move the machine to maintenance position I.

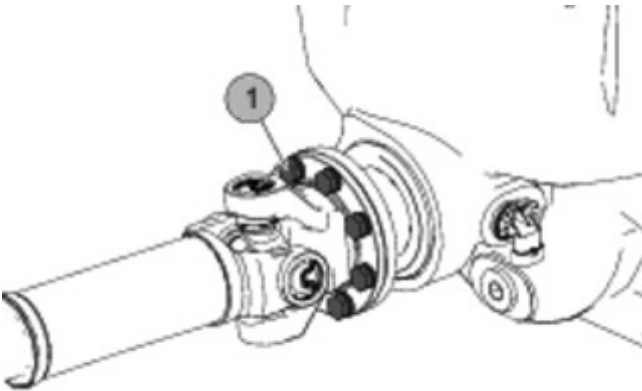
Moving the machine
to the waiting position

- Disconnect the battery isolating switch.



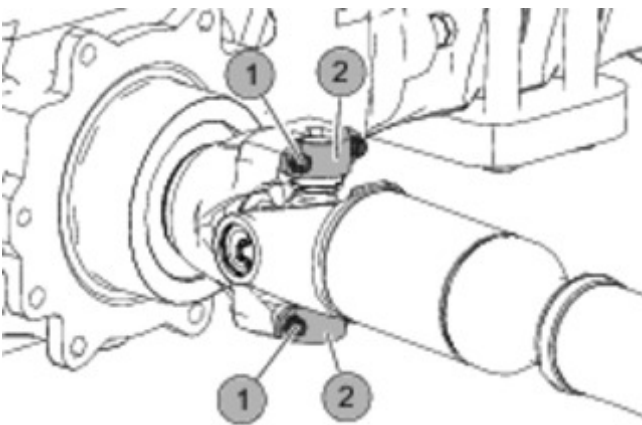
p

► Jack up the rear axle of the machine.



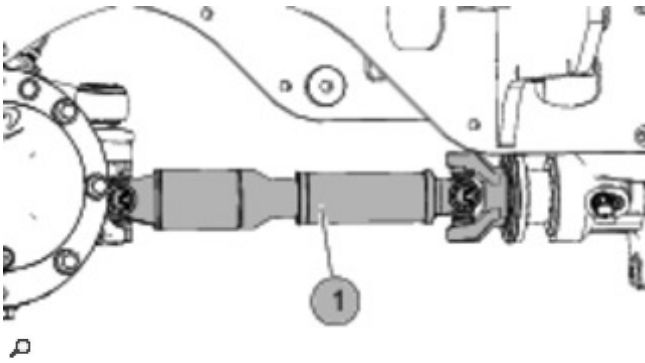
p

► Unscrew bolts (1).



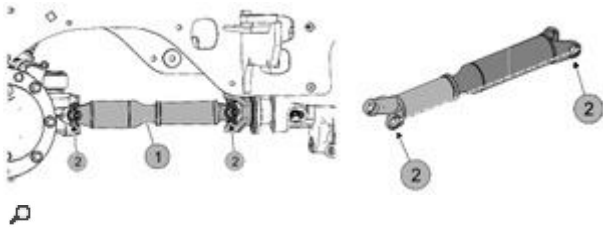
p

► Unscrew bolts (1) and remove split shells (2).

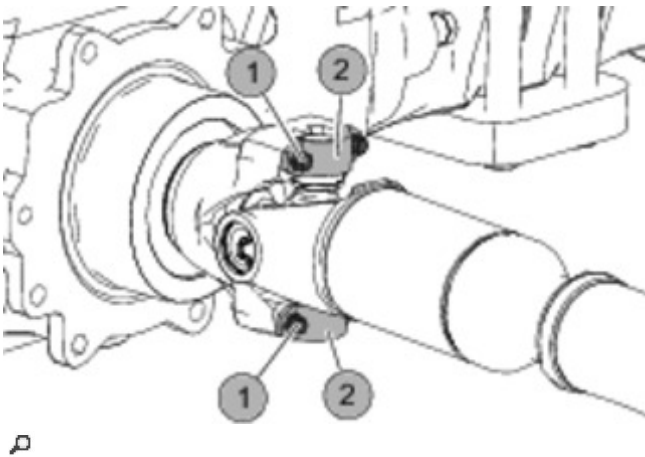


- ▶ Remove universal drive shaft (1).

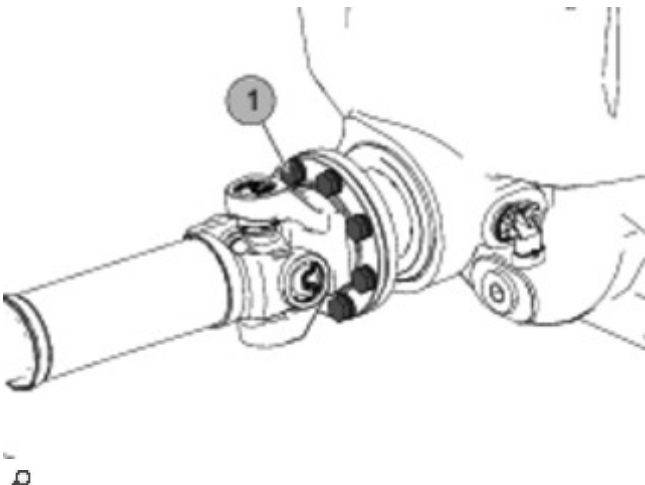
Installing



- ▶ Insert universal drive shaft (1).
 - ▶ Ensure that the two eye joint links (2) are aligned to one another in one plane.



- ▶ Bolt down split shells (2) with bolts (1).
 - ▶ Insert bolts with LOCTITE 243.
Tightening torque:
Universal drive shafts



- ▶ Bolt down bolts (1).
- ▶ Insert bolts with LOCTITE 243.
- ▶ If the drilling pattern of the universal drive shaft does not match the drilling pattern of the high-speed gearbox, adapt the drilling pattern by turning the wheel hub at the rear axle.

- Connect the battery isolating switch.

Removing

WARNING!

Rotating universal drive shafts.

Death or serious injury.

- ▶ Carry out work on the universal drive shafts only with the drive disengaged and the engine stopped.
- ▶ Remove ignition key.

WARNING!

Incorrect installation of universal drive shafts.

Death or serious injury.

- ▶ Strictly comply with instructions.

- Move the machine to maintenance position I.

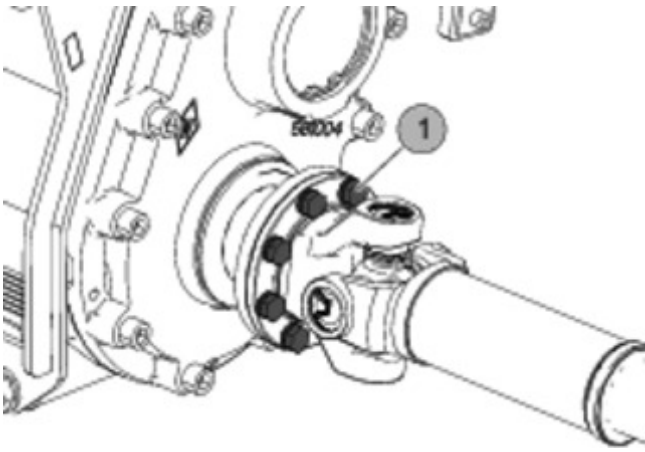
[Moving the machine to the waiting position](#)

- Disconnect the battery isolating switch.



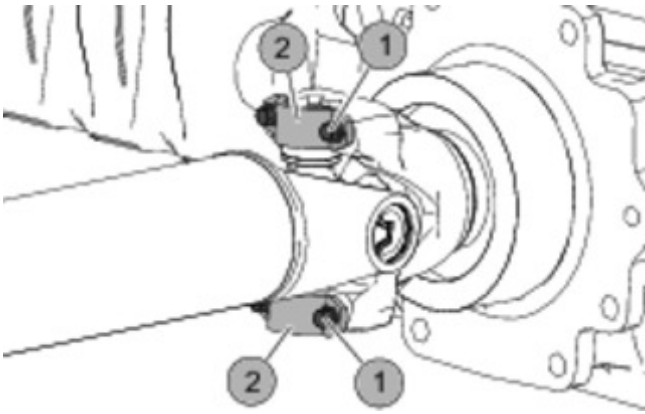


- ▶ Jack up the rear axle of the machine.



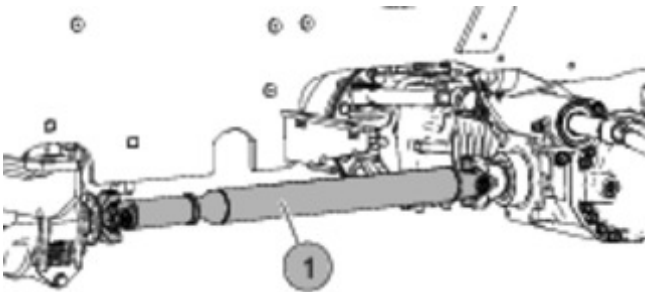
D

- ▶ Unscrew bolts (1).



D

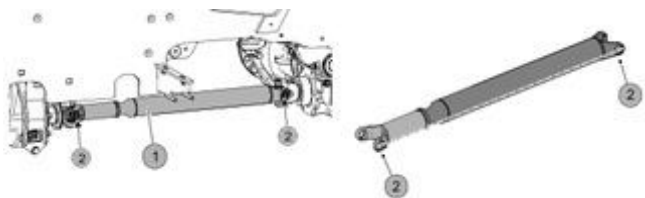
- ▶ Unscrew bolts (1) and remove split shells (2).



D

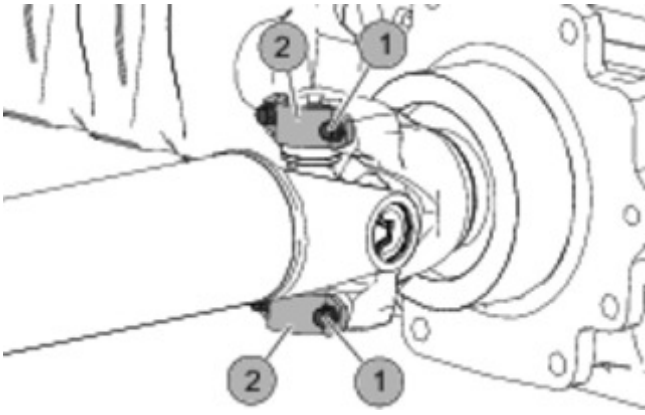
- ▶ Remove universal drive shaft (1).

Installing



D

- ▶ Insert universal drive shaft (1).
 - ▶ Ensure that the two eye joint links (2) are aligned to one another in one plane.



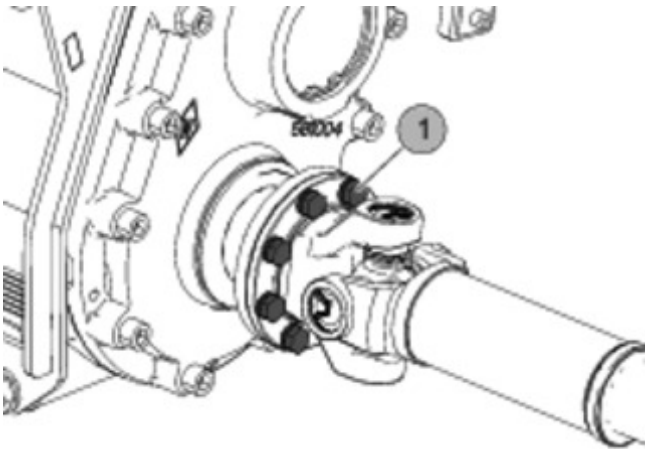
p

- ▶ Bolt down split shells (2) with bolts (1).

- ▶ Insert bolts with LOCTITE 243.

Tightening torque:

Universal drive shafts



p

- ▶ Bolt down bolts (1).

- ▶ Insert bolts with LOCTITE 243.

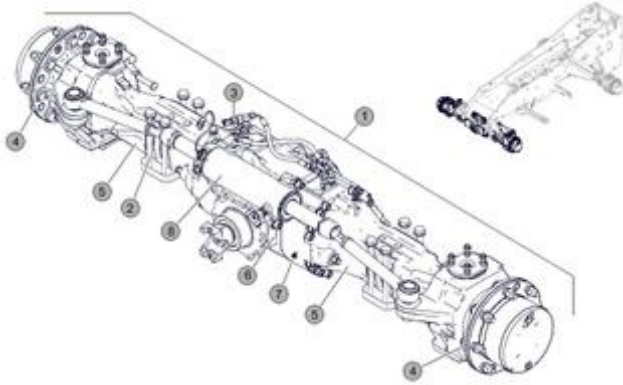
- ▶ If the drilling pattern of the universal drive shaft does not match the drilling pattern of the high-speed gearbox, adapt the drilling pattern by turning the wheel hub at the rear axle.



- Connect the battery isolating switch.

Front steering drive axle

Technical specifications



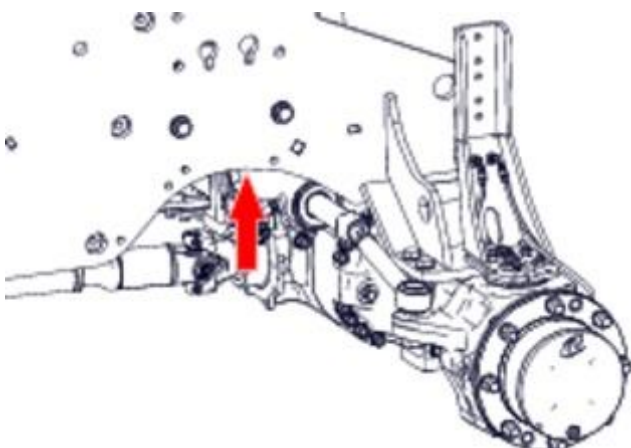
	Value	CCN	Remark / designation	
1			Front steering drive axle	
2	330 Nm		Steering drive axle mounting bolts	
3		B12-LWT	Parking brake pressure switch	
4			Wheel hub	<u>Wheel hub</u>
5			Axle body	<u>Axle body</u>
6			Bevel gear drive	<u>Bevel gear drive</u>
7			Service brake	<u>Service brake</u>
8		45-LWT	Steering hydraulic cylinder	<u>Steering hydraulic cylinder</u>
Tightening not specified, see Introduction / tightening torque chapter				

Removal

- Move the machine to maintenance position I.

Moving the machine to the waiting position

- Disconnect the battery isolating switch.

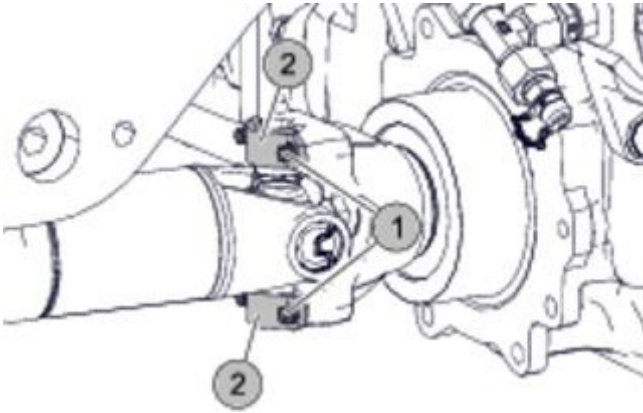


- ▶ Jack up the machine at the front beneath the carrier frame.

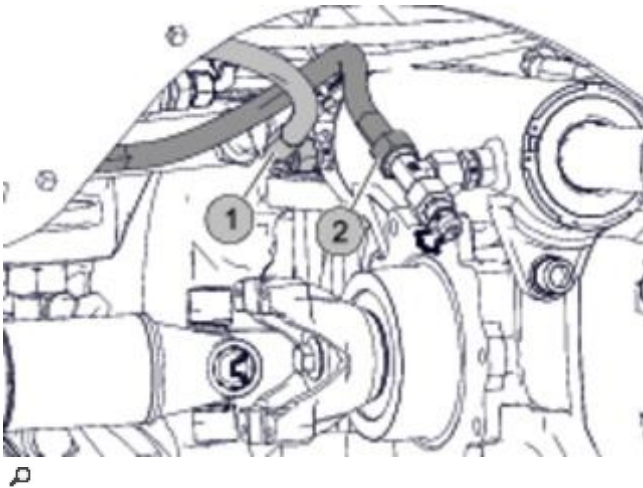
- Remove the front wheels.

- Remove the front mudguard.

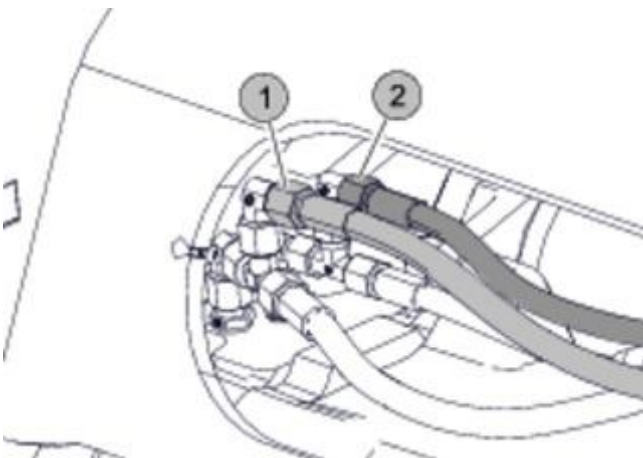
Mudguard



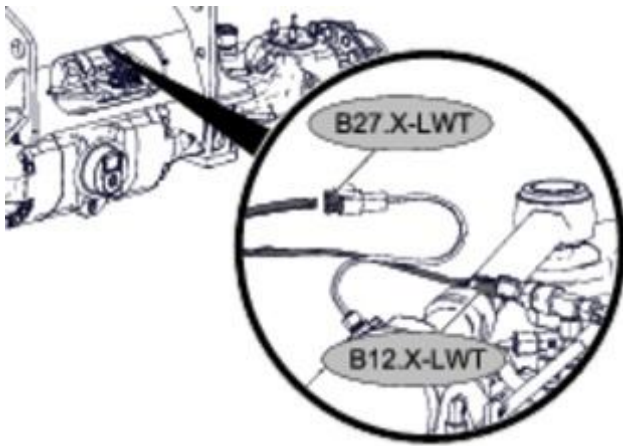
- ▶ Unscrew bolts (1).
- ▶ Remove split shells (2).



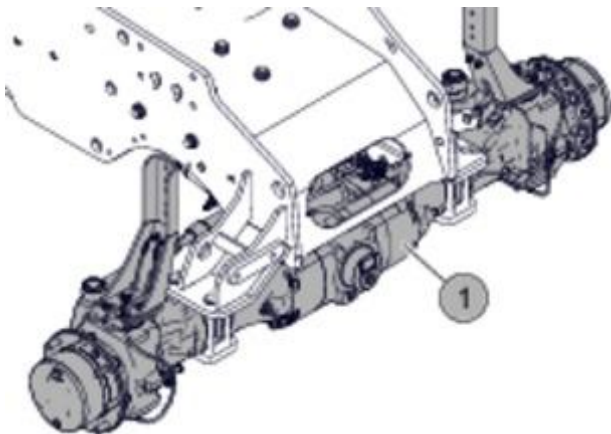
- ▶ Unscrew steering hydraulic lines (1) and (2).



- ▶ Unscrew brake hydraulic lines (1) and (2).



- ▶ Disconnect cable plug (B12.X-LWT).
- ▶ Disconnect cable plug (B27.X-LWT).



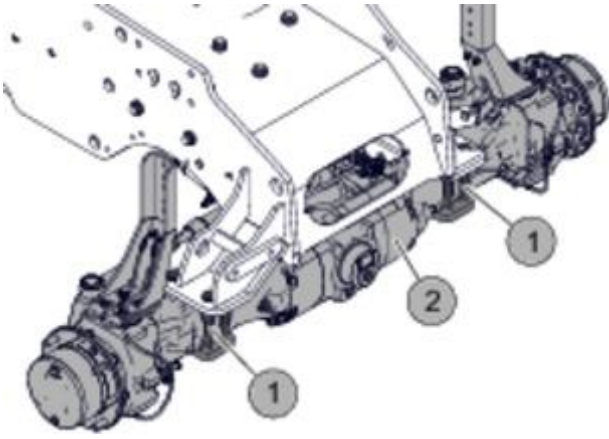
⚠ WARNING

Lifting heavy components.

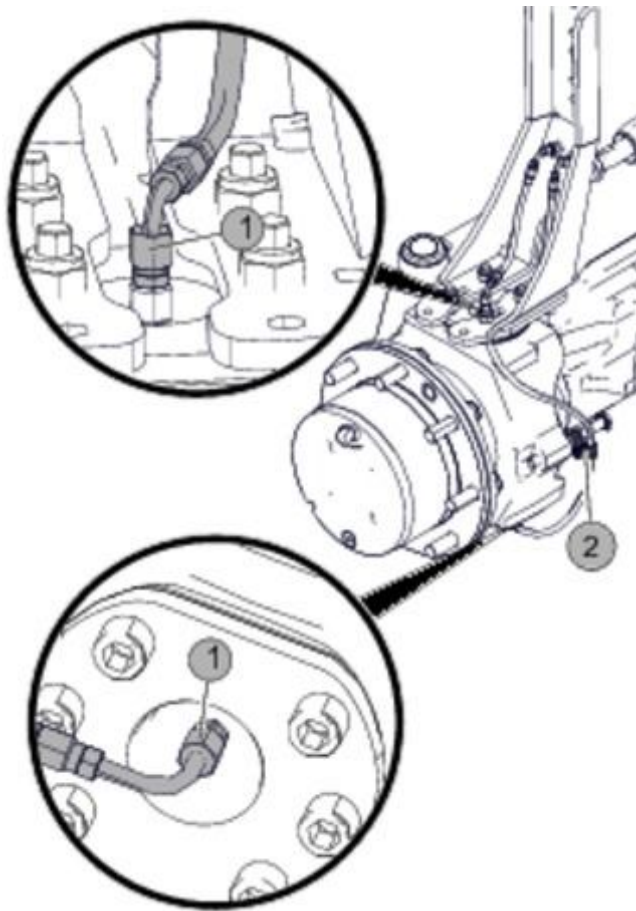
Risk of death or serious injury.

- ▶ Use a lifting tool with a sufficient bearing load.
- ▶ Use a lifting tool that operates reliably.
- ▶ Use the lifting tool on solid and even ground.
- ▶ Attach the lifting tool to the component at the intended or a suitable position.
- ▶ Only use faultless and sufficiently dimensioned lifting accessories.
- ▶ Protect lifting accessories against sharp corners and edges, for example using protectors.

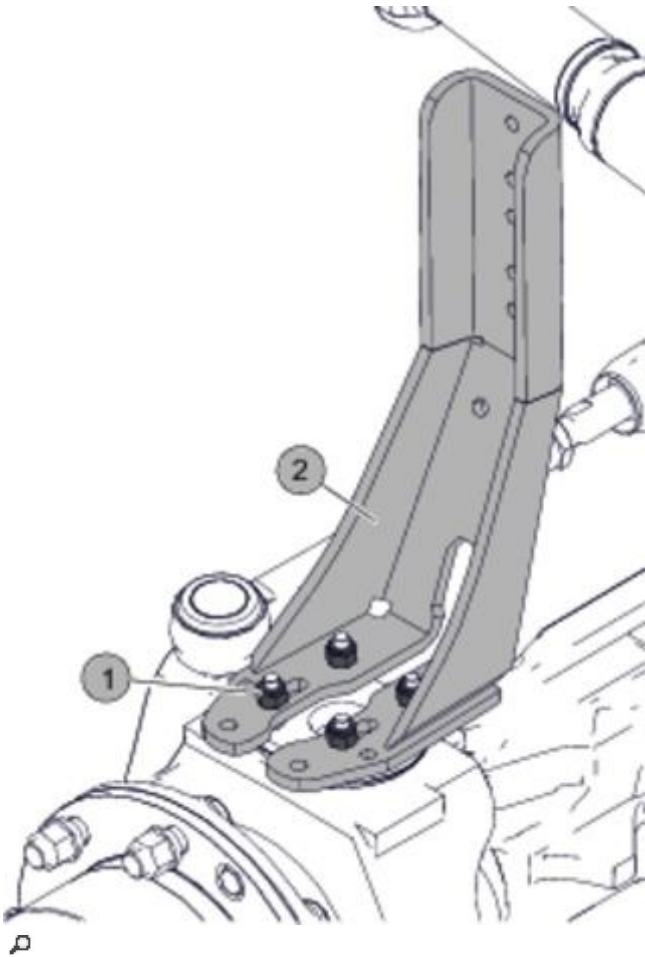
-
- ▶ Suspend drive axle (1) in a suitable lift device.



- ▶ Unscrew bolts (1).
- ▶ Carefully lower steering drive axle (2).
- ▶ Make sure that no lines or wiring looms will impede removal.

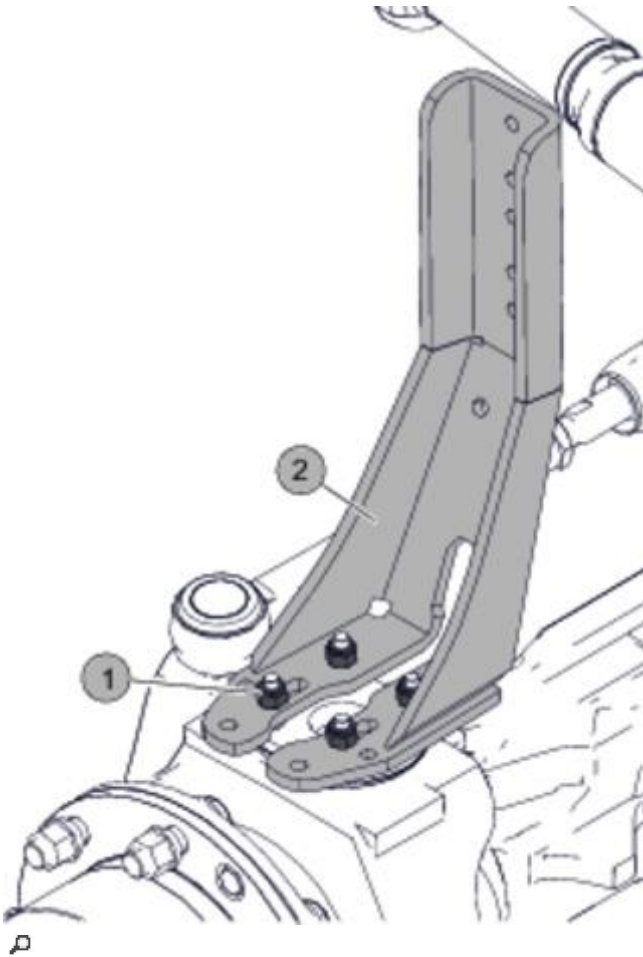


- ▶ Unscrew the lubrication lines at (1).
- ▶ Unscrew hose clamp (2).
- ▶ Repeat this procedures on the other side of the axle.

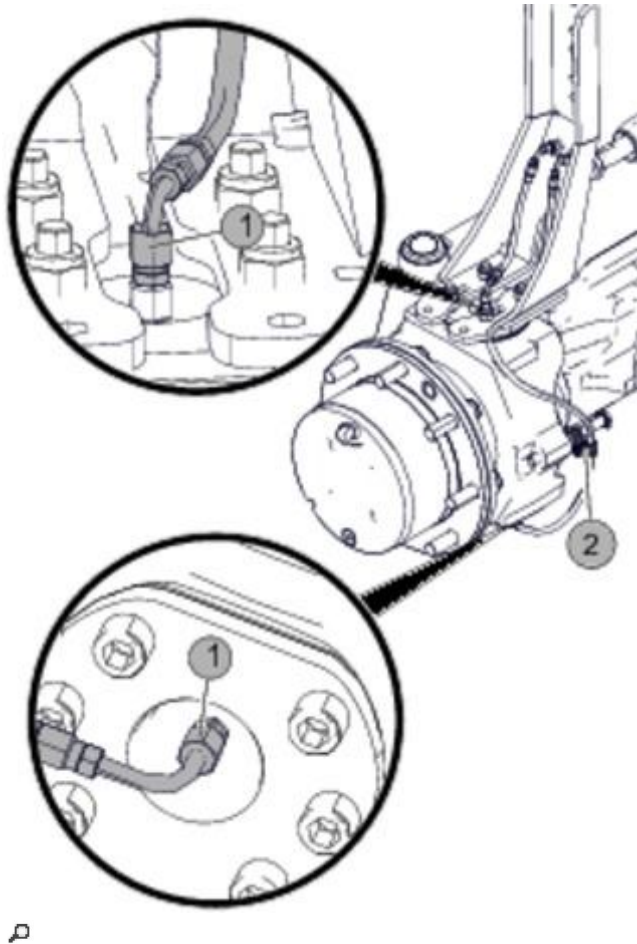


- ▶ Unscrew nuts (1).
- ▶ Remove brackets (2).
- ▶ Repeat this process on the other side of the axle.

Installation



- ▶ Bolt down bracket (2) with nuts (1).
- ▶ Repeat this process on the other side of the axle.



- ▶ Screw on the lubrication lines at (1).

Buy Now



Our support email:

ebooklibonline@outlook.com