

TORION 956 SINUS

Operator's Manual

Genuine Operator's Manual

Validity of manual

Wheel loader	Type	Vehicle identification number	
		From	To
TORION 956 SINUS	K54	K54 00011	–

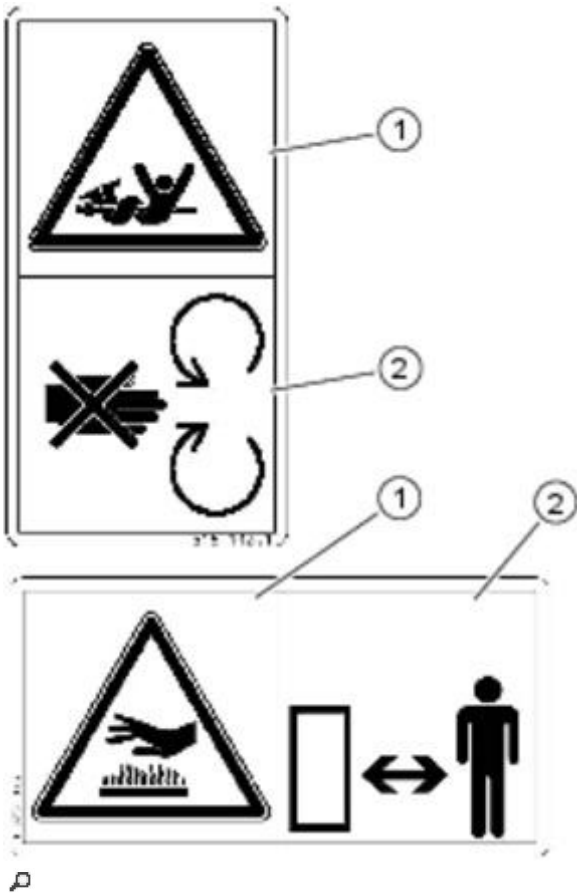
Information about this Operator's Manual

Read this Operator's Manual thoroughly in order to make yourself familiar with safe and correct operation, maintenance and transportation of the machine. This avoids injuries and machine damage. If you cannot understand parts of the Operator's Manual, contact a CLAAS Sales Partner.

This Operator's Manual is part of the machine and must be handed over to the buyer of the machine in case of resale. In case of loss or damage, the Operator's Manual and the safety decals applied to the machine can be reordered from a CLAAS Sales Partner. This Operator's Manual is also available in other languages.

Directions such as front, rear, right and left refer to the direction of forward travel.

Layout of safety decals



The hazard points of the machine are identified by safety decals.

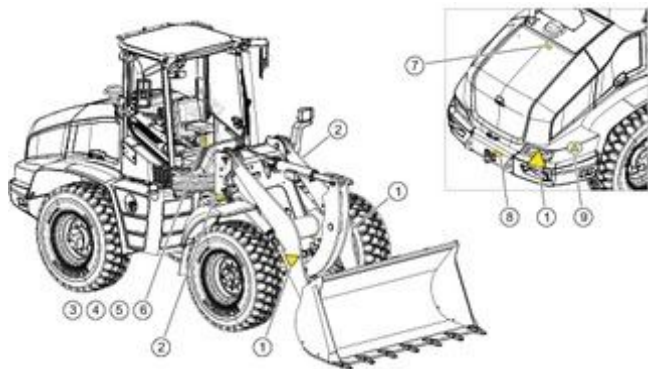
	Designation
1	Pictograph: shows the type and source of the hazard and possible consequences.
2	Pictograph: shows how the hazard can be avoided by proper behaviour.

The positioning and the meaning of the safety decals are described in this Operator's Manual.

Warning signs on the machine

- Please contact CLAAS if you cannot understand the safety decals.

Warning signs on the machine



⤴

	Warning signs		Warning signs
1	Standing	6	Seat belt
2	Articulation area	7	Coolant
3	Accident prevention	8	Diesel engine standstill
4	Steering	9	Electrical voltage
5	ROPS / FOPS	–	–

Safety decal <Keep out> (1)



⤴

Warns of danger of accident which may cause death or very serious injuries.

Meaning: Standing in the hazard area is not allowed!

Safety decal <Articulation area> (2)



⤴

Warns of danger of accident which may cause death or very serious injuries.

Meaning: Standing in the articulation area is not allowed.

Safety decal <Accident prevention> (3)



♣

Refers to the safety instructions in the Operator's Manual.

Meaning: Strictly observe the safety instructions in the Operator's Manual when operating the machine.

Safety decal <Steering> (4)



♣

Warns of danger of accident which may cause death or very serious injuries.

Meaning: The steering works only while the diesel engine is running!

Safety decal <ROPS/FOPS> (5)



♣

Warns of danger of accident which may cause death or very serious injuries.

Meaning: Structural changes (e.g. welds, drilled holes) on the ROPS/FOPS cab are not permitted.

Safety decal <Seat belt> (6)



♣

Warns of danger of accident which may cause death or very serious injuries.

Meaning: Apply the seat belt before starting the machine!

Safety decal <Coolant> (7)



♣

Warns of the risk of scalding and severe injuries caused by coolant escaping under pressure.

Meaning: Do not open the sealing cap on the filler pipe until the diesel engine has cooled down.

Safety decal <Diesel engine standstill> (8)



♣

Warns of danger of accident which may cause very serious injuries.

Meaning: Open only when the diesel engine is stopped!

Safety decal <Electrical voltage> (9)

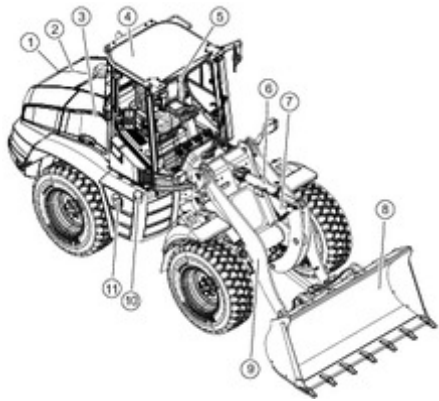


⚡

Refers to the battery isolating switch.

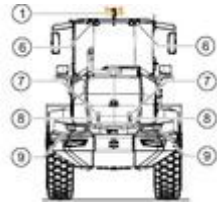
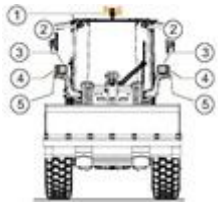
Meaning: The electrical system is energised when the battery isolating switch is turned on.

Overview of the wheel loader



	Designation		Designation
1	Rear camera*	7	Lift cylinder
2	Engine bonnet	8	Working attachments, loading tools*, buckets*
3	Radiator cover	9	Lift arms
4	Cab	10	Fuel tank
5	Fire extinguisher*	11	Urea tank
6	Tipping cylinder	–	–

Overview of the work lighting and headlights



Ⓜ

	Designation		Designation
1	Warning beacon*	6	Rear work lights*
2	Front work lights	7	Flashlight*
3	Front driving lights <ul style="list-style-type: none"> • Dipped beam • Side light • Main beam 	8	Numberplate lighting*
4	Front turn signal indicator	9	Brake lights, tail lights, rear turn signal indicators, rear reversing lights
5	Side light*	—	—

Coolant pre-heater

The coolant pre-heater pre-heats the coolant in the diesel engine at low outside temperatures. Power is supplied via a connection to the AC network.

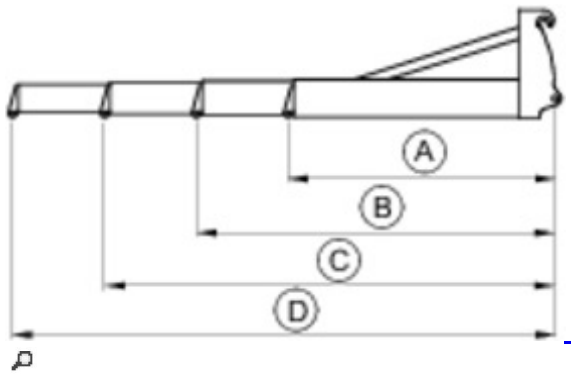
Auxiliary heater with engine pre-heater

The auxiliary heater is intended for machine operation at low outside temperatures. The control element is located in the operator's cab to the right of the armrest.

The auxiliary heater is temperature-controlled and can be activated immediately or programmed for a specific time with the control element.

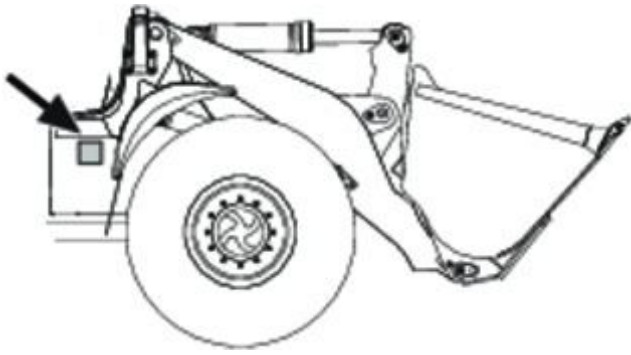
The auxiliary heater is used primarily to pre-heat the diesel engine. As soon as the coolant has been sufficiently heated, the heater fan in the operator's cab starts running. The operator's cab is heated and the cab windows are defrosted.

Crane arm



The crane arm carries load attachment devices (hooks) for transporting loads. The crane arm can be attached to the tool carrier or the fork carrier.

Position of the identification plate



p

-

Buy Now



Our support email:

ebooklibonline@outlook.com