

# SCORPION 746 VARIPOWER

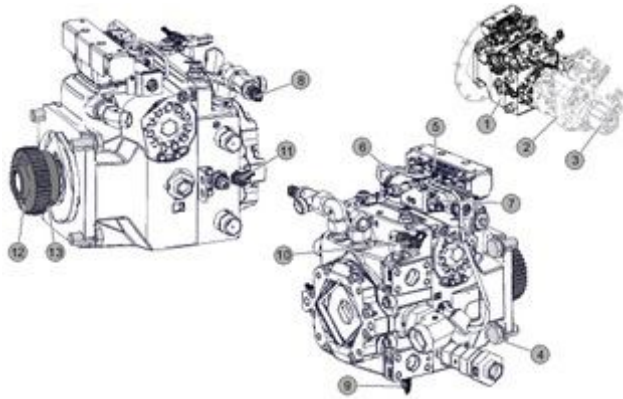
## Repair manual

**Validity of manual**

Machine	Type	Vehicle identification number	
		From	To
SCORPION 746 VARIPOWER	K35	K35 00 021	K35 99 999

## Ground drive hydraulic pump

### Technical specifications



	Value	CCN	Remark / designation	
Tightening not specified, see Introduction / tightening torque chapter				
1		2-LWT	Ground drive hydraulic pump	
2		100-LWT	Working hydraulics pump	<a href="#">Working hydraulics pump</a>
3		20-LWT	Hydraulic pump gear pump	<a href="#">Hydraulic pump gear pump</a>
4			Ground drive hydraulic pump mounting bolts	
5		A1-LWT	Ground drive hydraulics control box	
6		Y28-LWT	Proportional valve – Forward driving variable-displacement pump	
7		Y29-LWT	Proportional valve – Reversing variable-displacement pump	
8		B4-LWT	Hydraulic oil temperature sensor	
9			Measuring point P3	
10			Measuring point P4	
11			Measuring point P8	
12			Gear	
13	120 Nm		Gear mounting bolt	

### Removing

- Move the machine to maintenance position I.

[Moving the machine to the waiting position](#)

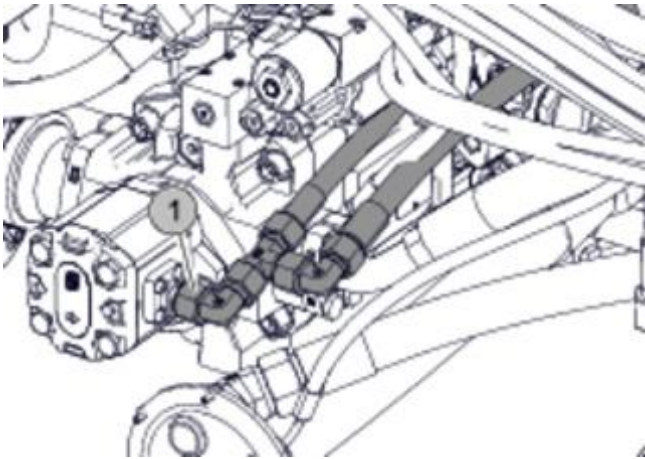
- Disconnect the battery isolating switch.

- Drain the hydraulic oil.

[Changing the hydraulic oil](#)

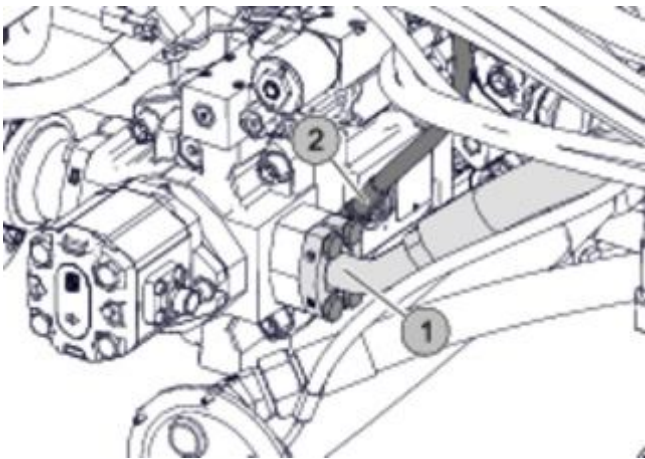
- Remove the rear universal drive shaft.

[Universal drive shafts](#)



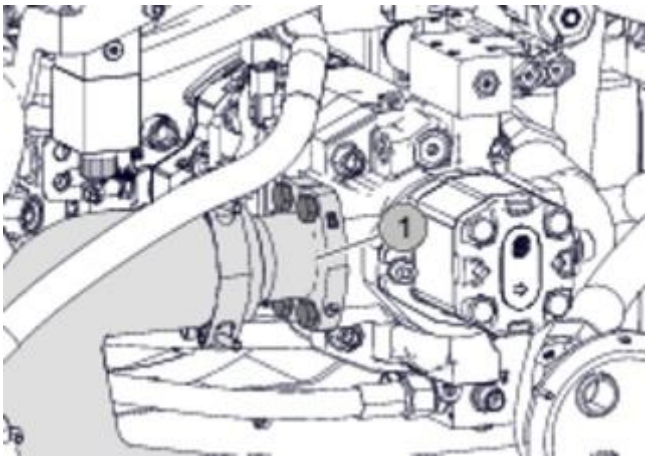
p

- ▶ Unscrew the hydraulic lines (1).



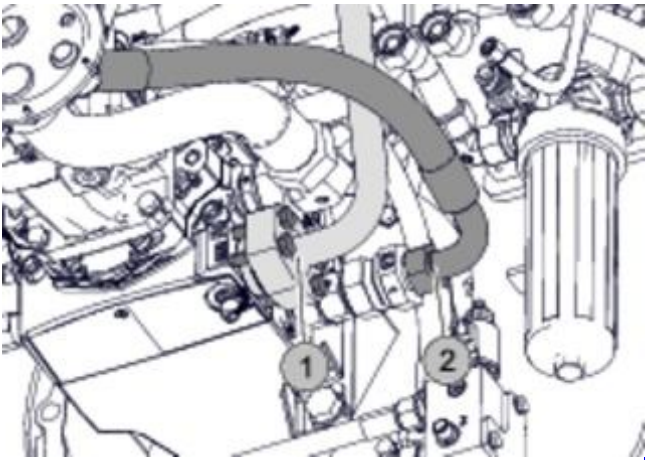
p

- ▶ Unscrew hydraulic lines (1) and (2).



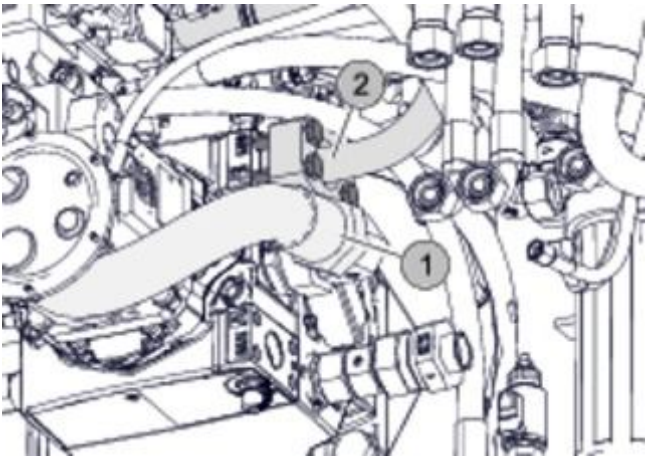
p

- ▶ Unscrew hydraulic line (1).



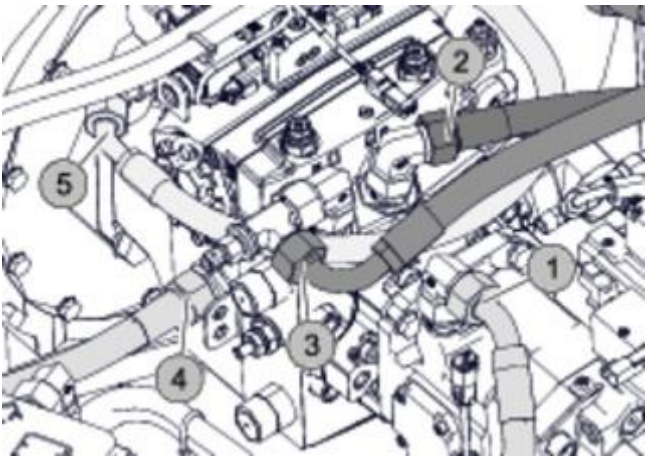
D

- ▶ Unscrew hydraulic lines (1) and (2).



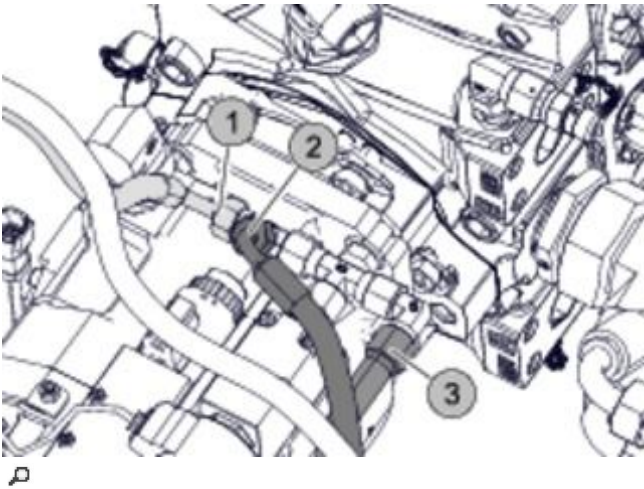
D

- ▶ Unscrew hydraulic lines (1) and (2).

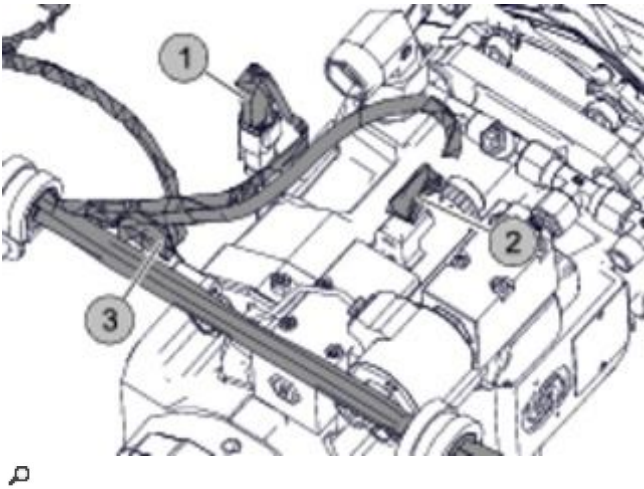


D

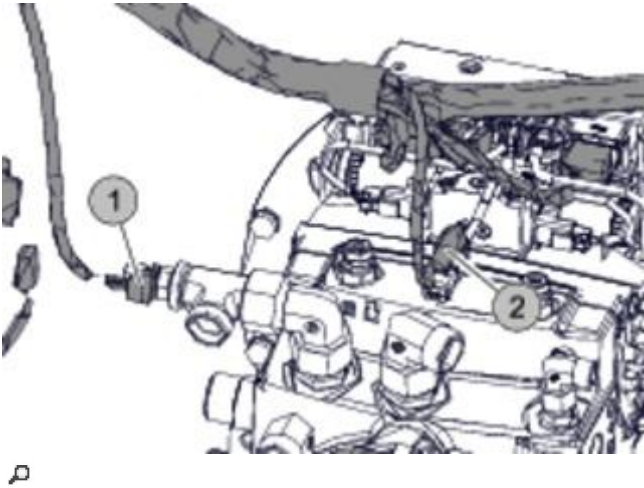
- ▶ Unscrew hydraulic lines (1) to (5).



- ▶ Unscrew hydraulic lines (1), (2) and (3).

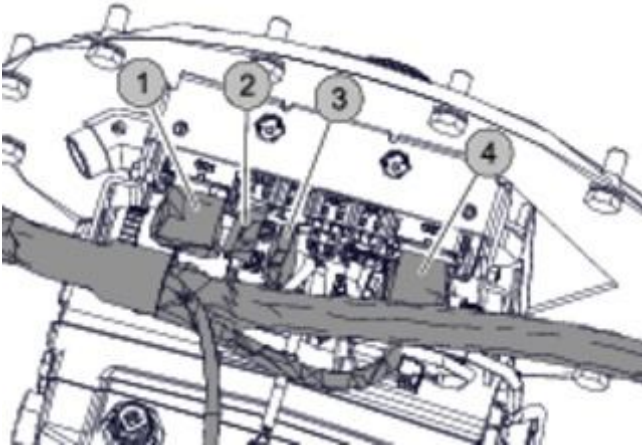


- ▶ Disconnect cable connectors (1), (2) and (3).

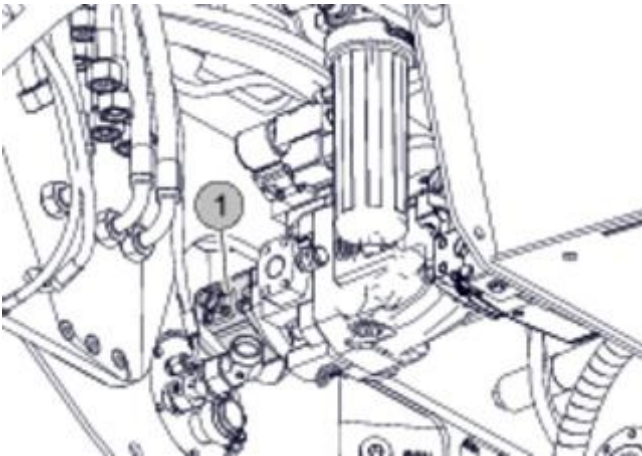


- ▶ Disconnect cable plugs (1) and (2).

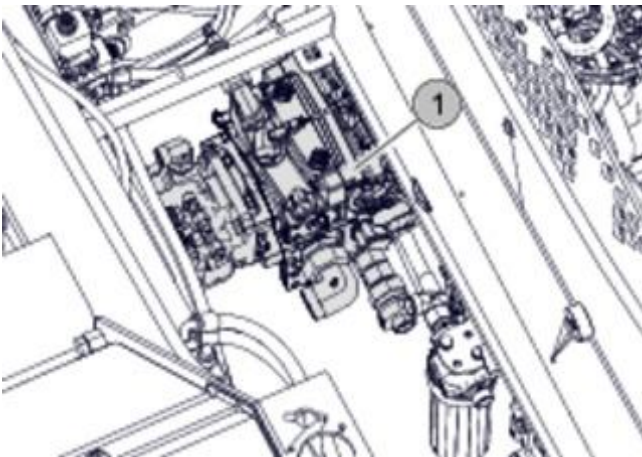




- ▶ Disconnect cable plugs (1) to (4).



- ▶ Unscrew gear pump (1).



### **⚠ WARNING!**

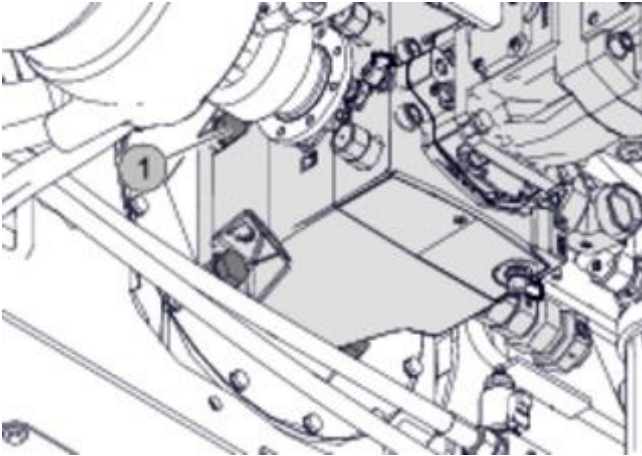
Lifting heavy components.

Risk of death or serious injury.

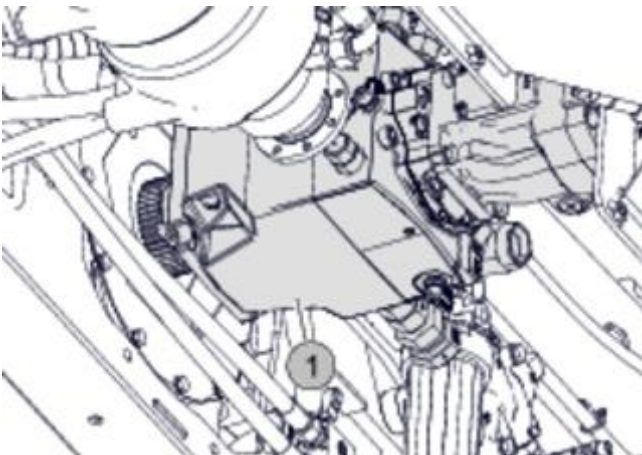
- ▶ Use a lifting tool with a sufficient bearing load.
- ▶ Use a lifting tool that operates reliably.
- ▶ Use the lifting tool on solid and even ground.
- ▶ Attach the lifting tool to the component at the intended or a suitable position.

- ▶ Only use faultless and sufficiently dimensioned lifting accessories.
- ▶ Protect lifting accessories against sharp corners and edges, for example using protectors.

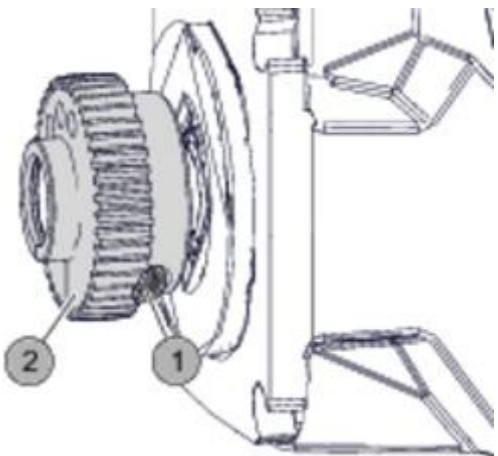
- ▶ Suspend pump combination (1) in a suitable lift device from the top and secure against falling down.



- ▶ Unscrew 4 bolts (1).

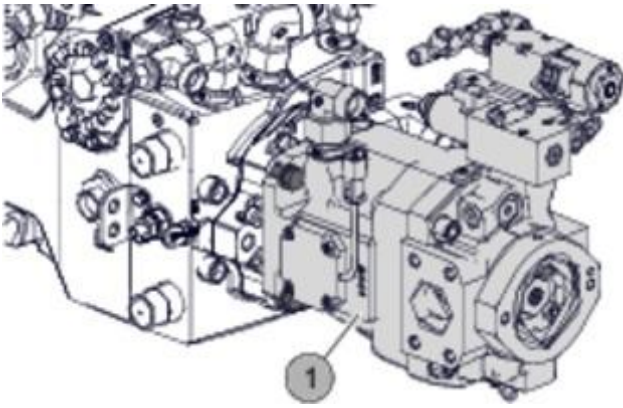


- ▶ Carefully pull out and lower pump combination (1).



- ▶ Unscrew bolt (1).
- ▶ Pull off gear (2).

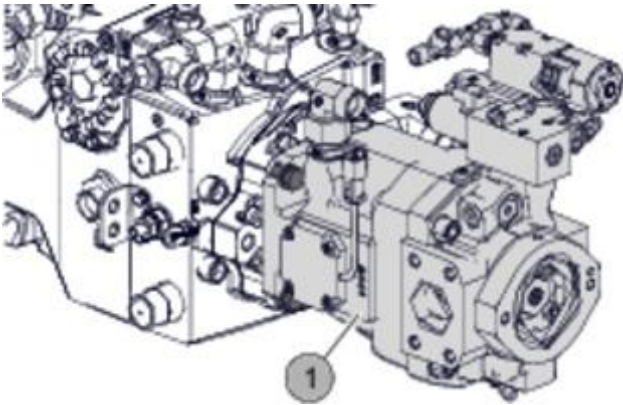




▫

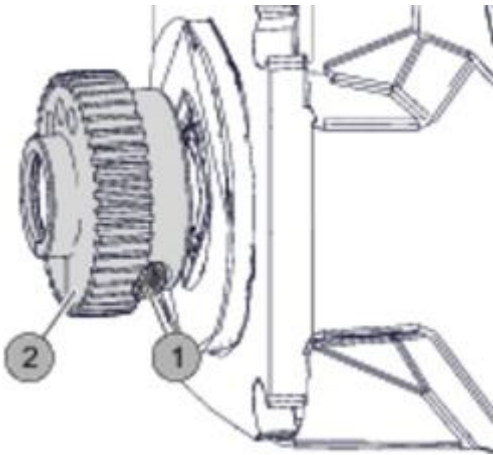
- ▶ Unscrew working hydraulics hydraulic pump (1).

### Installing



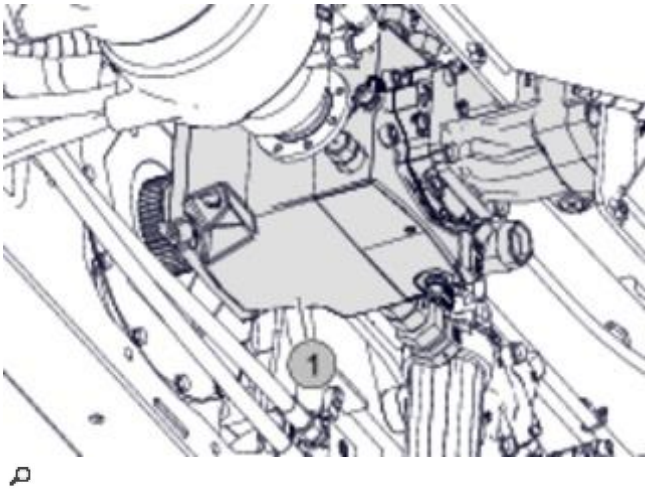
▫

- ▶ Screw on working hydraulics hydraulic pump (1).



▫

- ▶ Slide on gear (2).
  - ▶ Tighten bolt (1).
- Tightening torque:  
Ground drive hydraulic pump



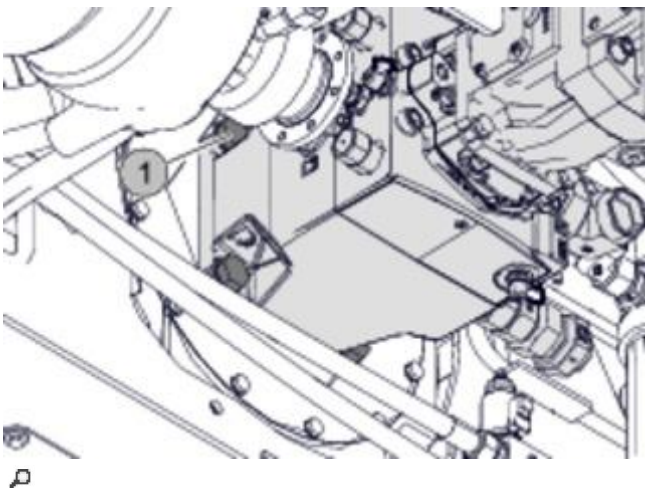
**⚠ WARNING!**

Lifting heavy components.

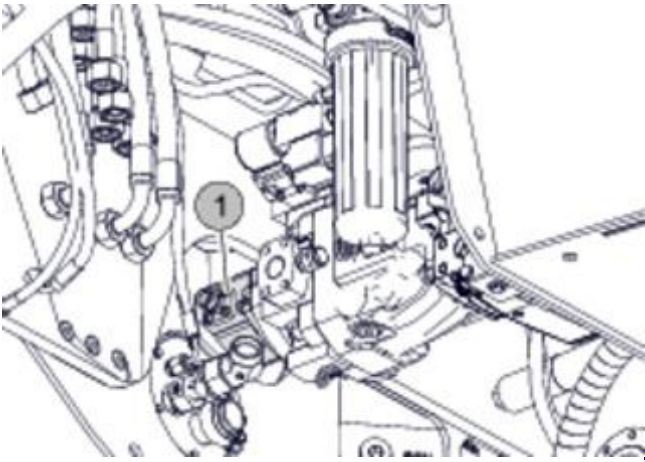
Risk of death or serious injury.

- ▶ Use a lifting tool with a sufficient bearing load.
- ▶ Use a lifting tool that operates reliably.
- ▶ Use the lifting tool on solid and even ground.
- ▶ Attach the lifting tool to the component at the intended or a suitable position.
- ▶ Only use faultless and sufficiently dimensioned lifting accessories.
- ▶ Protect lifting accessories against sharp corners and edges, for example using protectors.

- 
- ▶ Lift the pump combination (1) into the machine from the bottom, using a suitable lift device.
  - ▶ Move pump combination (1) to the mounting position and hold it there.

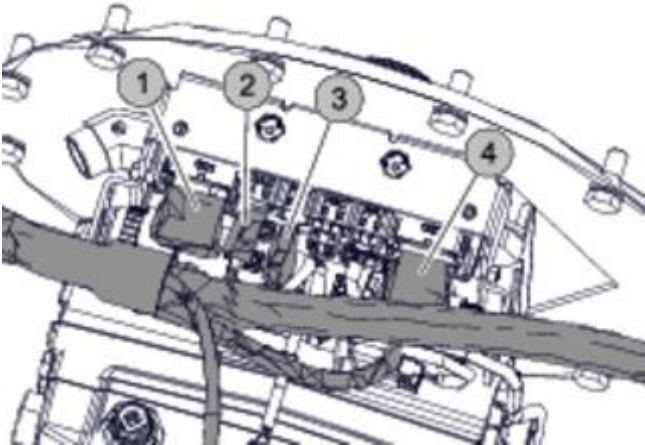


- ▶ Screw on 4 bolts (1).



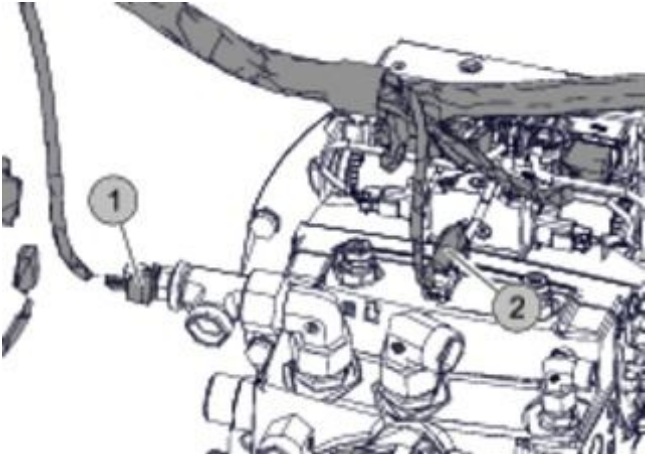
D

- ▶ Screw on gear pump (1).



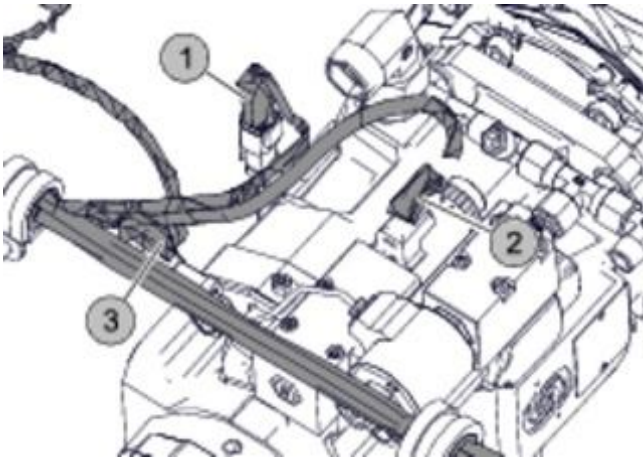
D

- ▶ Connect cable plugs (1) to (4).



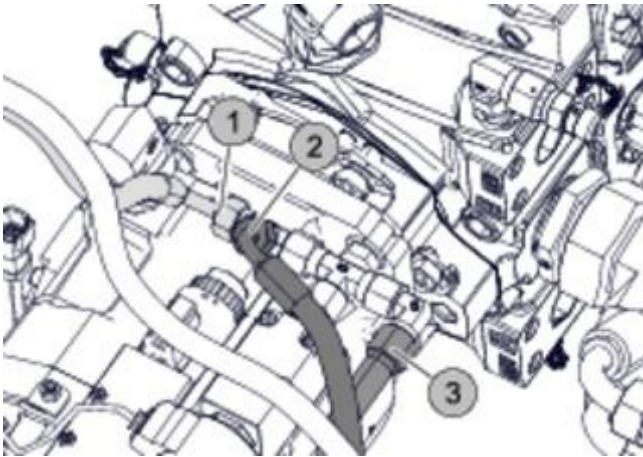
D

- ▶ Connect cable plugs (1) and (2).



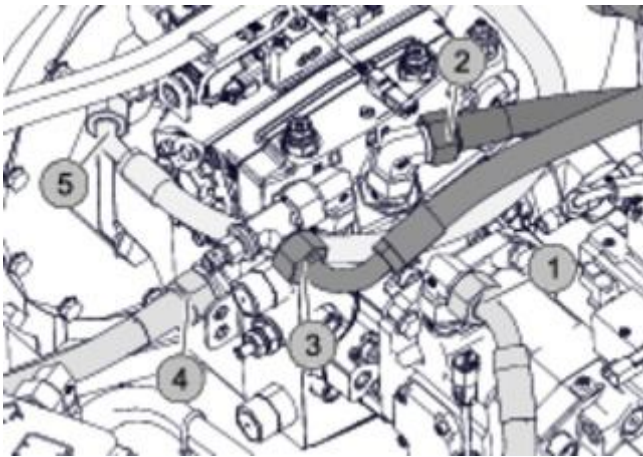
►

- Connect cable connectors (1), (2) and (3).



►

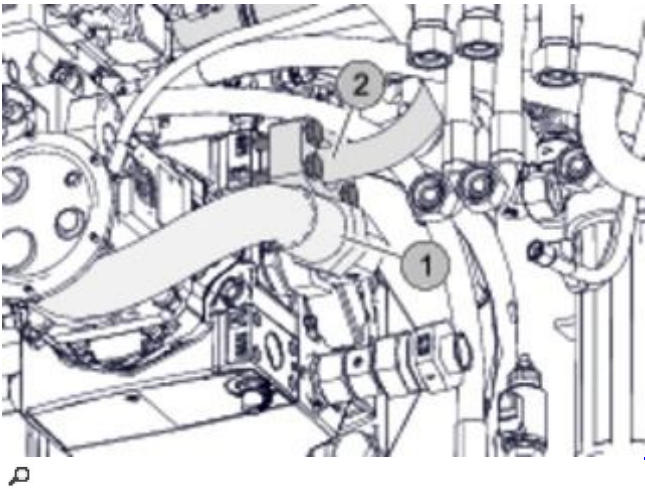
- Screw on hydraulic lines (1), (2) and (3).



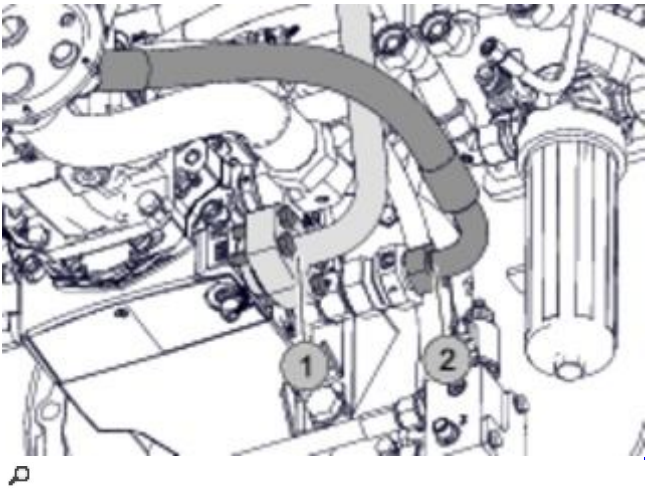
►

- Screw on hydraulic lines (1) to (5).

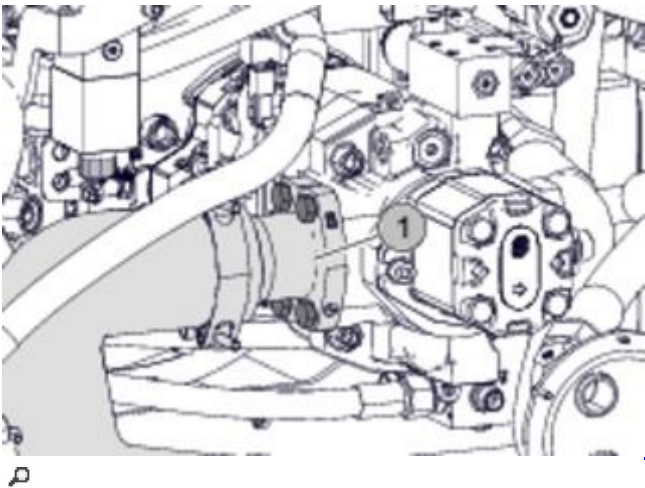




- ▶ Bolt down hydraulic lines (1) and (2).

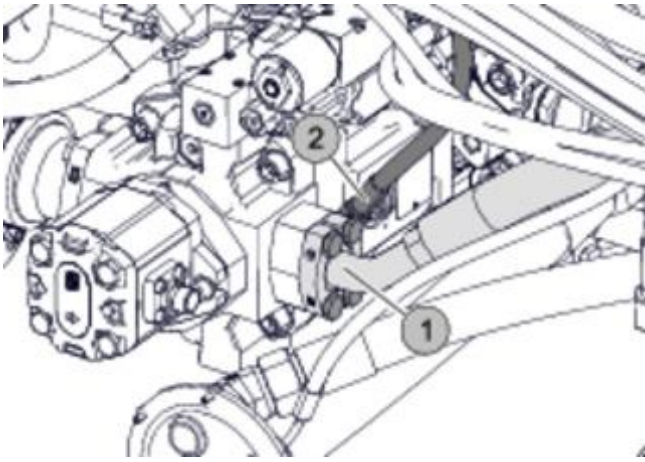


- ▶ Bolt down hydraulic lines (1) and (2).



- ▶ Bolt down hydraulic line (1).

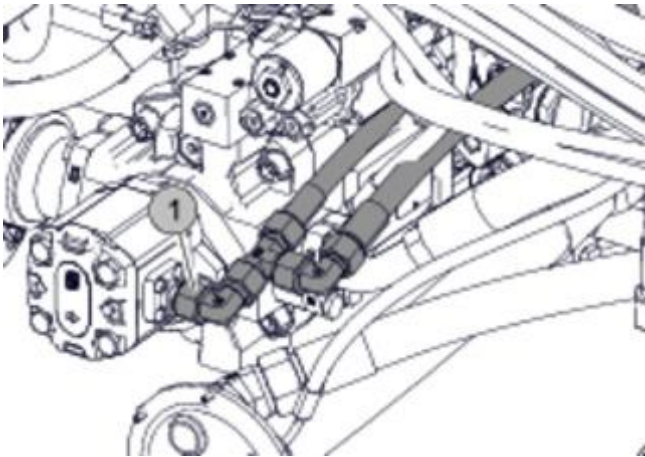




p

4

- ▶ Bolt down hydraulic lines (1) and (2).



p

4

- ▶ Screw on hydraulic lines (1).



- Install rear universal drive shaft.

[Universal drive shafts](#)



- Top up hydraulic oil.

[Changing the hydraulic oil](#)



- Connect the battery isolating switch.



- Check and measure the ground drive as described in the Technical Systems documentation.

**Buy Now**



Our support email:

[ebooklibonline@outlook.com](mailto:ebooklibonline@outlook.com)