

544 Tractor

Operators Manual

1084061R1

Reprinted

CASE III



This symbol means ATTENTION! BECOME ALERT! YOUR SAFETY IS INVOLVED. The message that follows the symbol contains important information about your safety. Carefully read the message. Make sure you fully understand the causes of possible injury or death.

SB001

IF THIS MACHINE IS USED BY AN EMPLOYEE, IS LOANED, OR IS RENTED, MAKE SURE THAT THE OPERATOR UNDERSTANDS THE TWO INSTRUCTIONS BELOW.

BEFORE THE OPERATOR STARTS THE ENGINE:

1. GIVE INSTRUCTIONS TO THE OPERATOR ON SAFE AND CORRECT USE OF THE MACHINE.
2. MAKE SURE THE OPERATOR READS AND UNDERSTANDS THE OPERATOR'S MANUAL FOR THIS MACHINE.



IMPROPER OPERATION OF THIS MACHINE CAN CAUSE INJURY OR DEATH.

BEFORE STARTING THE ENGINE, DO THE FOLLOWING:

1. READ THE OPERATOR'S MANUAL.
2. READ ALL SAFETY DECALS ON THE MACHINE.
3. CLEAR THE AREA OF OTHER PERSONS.

LEARN AND PRACTICE SAFE USE OF MACHINE CONTROLS IN A SAFE, CLEAR AREA BEFORE YOU OPERATE THIS MACHINE ON A JOB SITE.

It is your responsibility to observe pertinent laws and regulations and to follow manufacturer's instructions on machine operation and maintenance.

See your Authorized Case dealer for additional operator's manuals, parts catalogs, and service manuals.

To The Owner

Your new International Harvester tractor is designed to meet today's exacting operating requirements. The ease and comfort of operation, the ability to match ground speeds to engine power and work requirement, and the effortless versatility of the hydraulic system are intended to lighten your work and shorten your hours on the job.

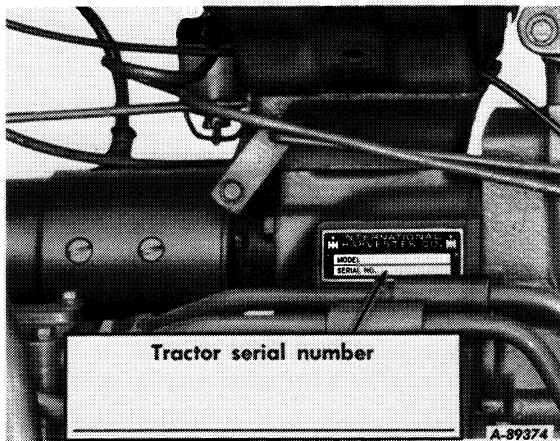
Your tractor has either a conventional clutch or a hydrostatic drive.

The hydrostatic drive will require minimum service if recommended operating and maintenance procedures are followed. Should you have difficulties with the unit consult your International Harvester dealer.

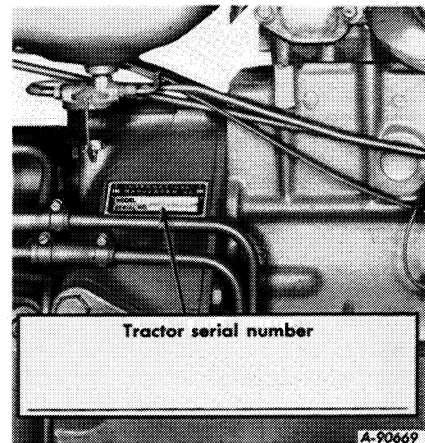
UNDER NO CIRCUMSTANCES SHOULD YOU ATTEMPT TO SERVICE THESE UNITS YOURSELF. Only your dealer is authorized to repair or replace units on the hydrostatic drive under the terms of the warranty.

There are a few facts that you should know about your hydrostatic drive tractor.

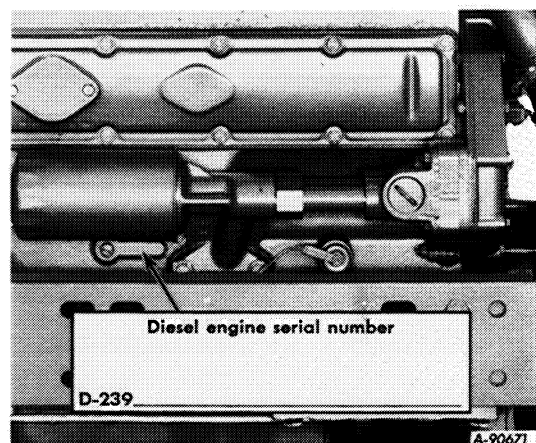
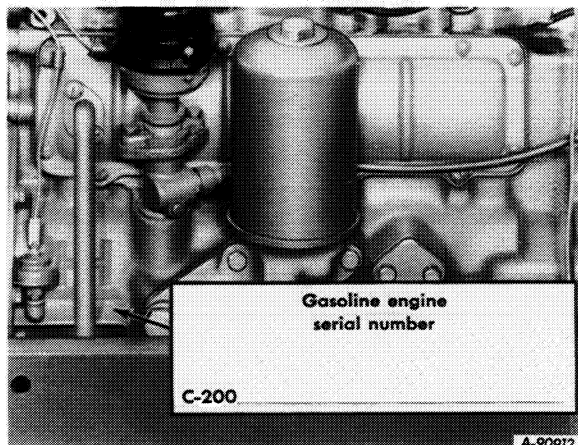
1. You cannot start the engine by towing the tractor, attempts to do so will damage the hydrostatic motor.
2. To tow the tractor, place the Hi-Lo Range Selector in neutral. Refer to Towing the Tractor on page 17.
3. Never attempt to effect a high speed coast by putting the speed ratio control lever in neutral or by depressing the Foot-N-Inch pedal.
4. Never coast the tractor with the engine shut off.
5. Change the filters at the specified interval. The 10 hour and 100 hour changes are extremely important and must not be overlooked.



Tractors with Hydrostatic Drive



Tractors with Gear Drive



Cover Illustration
Farmall 544 Hydrostatic Drive Tractor
with Adjustable Wide Front Axle

To The Owner

Your local International Harvester dealer is interested in the performance you receive from this tractor. He has factory-trained servicemen, informed in the latest method of servicing tractors, and modern tools, and original-equipment IH service parts which assure proper fit and good performance.

To obtain top performance and assure economical operation the tractor should be inspected, depending on its use, periodically, or at least once a year, by your International Harvester dealer.

Before you operate the tractor study this manual carefully. It has been prepared to help you operate and maintain your tractor with utmost efficiency. New copies may be ordered from your dealer at a nominal price.

When in need of parts, always specify the tractor and engine serial numbers, including prefix and suffix letters. Write these serial numbers in the spaces provided.

CONTENTS

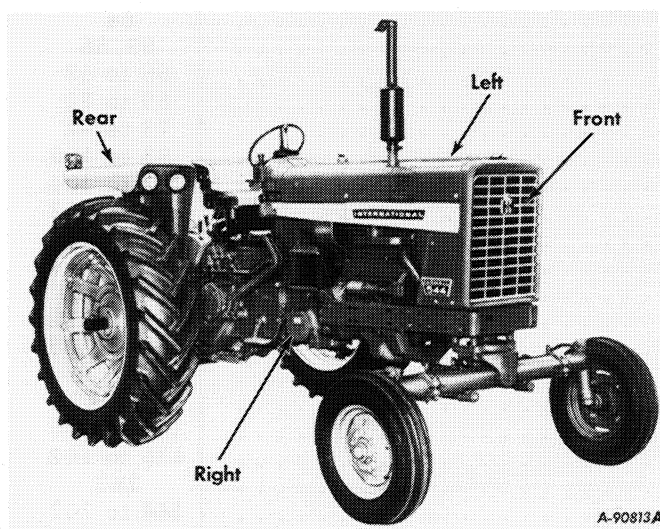
Description	Page No.
CONTENTS.....	1
WORK SAFELY - FOLLOW THESE RULES.....	3, 4
INTRODUCTION.....	2
INSTRUMENTS AND CONTROLS.....	5 to 10
BEFORE OPERATING YOUR NEW TRACTOR.....	11
DRIVING THE TRACTOR.....	12 to 19
GASOLINE ENGINE AND FUEL SYSTEM.....	19 to 22
DIESEL ENGINE AND FUEL SYSTEM.....	23 to 30
BASIC HYDRAULIC SYSTEM WITH POWER STEERING.....	31
HYDRAULIC CONTROLS FOR HITCHES.....	32 to 35
THREE-POINT HITCH (Farmall 544).....	36 to 40
THREE-POINT HITCH (International 544).....	44 to 51
TWO-POINT FAST-HITCH (Farmall 544).....	40 to 43
WEIGHT TRANSFER HITCH.....	52, 53
AUXILIARY VALVES REMOTE CYLINDERS AND HYDRAULIC OUTLETS.....	54 to 59
HITCHING TRAILING EQUIPMENT TO THE TRACTOR.....	59 to 63
POWER TAKE-OFF.....	64
BELT PULLEY.....	65, 66
COOLING SYSTEM.....	66 to 68
AIR CLEANING SYSTEM.....	69 to 72
ELECTRICAL SYSTEM.....	73 to 92
MINOR ENGINE SERVICE OPERATIONS.....	93 to 100
FRONT WHEELS.....	101 to 104
REAR WHEELS.....	105 to 112
WEIGHTS.....	113 to 117
PNEUMATIC TIRES.....	118, 119
BRAKES.....	119, 120
CLUTCHES (Gear Drive).....	120 to 122
HYDROSTATIC CONTROLS (Hydrostatic drive).....	123 to 126
STORING THE TRACTOR.....	127, 128
COLD WEATHER PRECAUTIONS.....	128, 129
TROUBLE SHOOTING.....	130 to 136
LUBRICATION.....	136 to 142
LUBRICATION TABLE.....	143
LUBRICATION GUIDE.....	144 to 152
PREVENTIVE MAINTENANCE GUIDE.....	153, 154
SPECIFICATIONS.....	155 to 160
OPTIONAL EQUIPMENT.....	161
INDEX.....	162 to 164

INTRODUCTION



A-90815

Illust. 2
Right side view of International 544 Diesel Tractor.
(Gear Drive)



A-90813A

Illust. 2A
Terms of location.

LEFT and RIGHT indicate the left and right sides of the tractor when facing forward in the driver's seat. See Illust. 2A.

The illustrations in this manual are numbered to correspond with the pages on which they appear; for example, Illusts. 2 and 2A are on page 2.

A variety of optional equipment is available. Refer to page 160. Operating and maintenance instruction on these items is included in the instructions for operating or maintaining the tractor. Disregard instructions for equipment not on your tractor.

WORK SAFELY — FOLLOW THESE RULES



The symbol is used to call your attention to instructions concerning your personal safety. Be sure to observe and follow these instructions.

A CAREFUL OPERATOR IS THE BEST INSURANCE AGAINST AN ACCIDENT

BEFORE STARTING

Know the controls and what they do.

When fueling an engine, keep any type of open flame away. Do Not Smoke! Wait for the engine to cool before refueling it.

Check brakes and clutch for correct adjustments.

Reduce tipping hazards by spreading wheels as far as your work program permits.

Check coolant and engine oil levels, and perform any other necessary services, before starting the engine.

To remove radiator cap when engine is "HOT", turn cap to pressure release point - let pressure and steam escape - then remove it.

Clean dirt, trash, and grease from operator's platform, pedals, steps, and steering wheel.

Be sure muffler and exhaust pipe extensions are in place so exhaust gases are discharged above operator.

Always carry a "Charged" fire extinguisher and a first aid kit.

Avoid loose-fitting clothing, which could catch on moving parts.

Mounting assist handles and steps are provided for your safety. Use them when getting on or off the tractor.

Put all controls in neutral before starting the engine.

Be sure power take-off lever is in the "OFF" or disengaged position before starting engine.

Before starting engine make sure helpers or observers stand clear of equipment.

Operate the engine only in well ventilated areas.

Release park brake completely.

DURING OPERATION

Power take-off master shield must always be in place on the tractor.

Use the drawbar in lowest position when hitching to a heavy load, such as manure spreaders, loaded two-wheel trailers, and heavy wagons.

Pull only from drawbar; never hitch to axle housing.

Shift transmission to neutral and lock the brakes before dismounting to hitch equipment.

Keep safety shields in place when using power take-off.

Disengage PTO and turn "OFF" engine before adjusting or unclogging power driven machinery.

Continued on next page.

WORK SAFELY—FOLLOW THESE RULES

DURING OPERATION - Continued

When the belt pulley is operating, wait for the belt to STOP completely before making any adjustments or removing the belt.

Only the operator should ride on the tractor. He should sit on seat or stand on the platform.

Keep others, especially children, from riding on steps, fenders, or drawbar, and away from tractor and equipment.

Reduce speed before making a turn.

Always keep the tractor in gear when going down steep hills.

Avoid sudden starts, excessive speed, and sudden stops when operating on hillside, rough ground, and most off-the-road operations.

Carefully supervise inexperienced operators.

Stop the engine before leaving the tractor.

Tractors With Cabs

Be sure cab doors are securely latched, either closed or open, when operating the tractor.

Always use the seat belts, if they are furnished with the unit. However, do not install seat belts if the tractor has no protective frame.

Adjust rear view mirrors for maximum vision.

Lock the cab doors, if locks are furnished, when leaving the tractor.

TRANSPORTING

Reduce speed when traveling on rough roads.

Avoid heavily-traveled roads when moving equipment, if at all possible.

Use warning devices (ie. flags, S. M. V. emblem, lights, etc.) which are approved for use by your local government agencies, when moving equipment on public roads. Keep these devices clean and in good working condition.

Be sure hitches and/or drawbars are properly stabilized before towing equipment.

When moving on public roads, or from field to field, lock brake pedals together for simultaneous operation when making a stop.

Be courteous, have consideration for other traffic using the road.

AFTER OPERATING

Wait for tractor to "STOP" before dismounting.

Lower equipment to ground before leaving tractor.

Shut off engine and remove ignition key.

Lock the park brake so tractor will not roll.

Buy Now



Our support email:

ebooklibonline@outlook.com