

# *Operator's Manual*

**INSTALLING INSTRUCTIONS**

## **Protective Frame**

**(539 529 R91, 539 530 R91, and 539 531 R91)**

for

**FARMALL<sup>®</sup>**

**766, 966, 1066, 1466, and 1468**

**Tractors**

**INTERNATIONAL HARVESTER COMPANY**

**401 NORTH MICHIGAN AVE. CHICAGO, ILLINOIS 60611, U.S.A.**

**1084115R1**

## ORDERING NUMBERS

- 539 529 R91 — Protective Frame for Farmall 766, 966, 1066, 1466, and 1468 Tractors with or without Deluxe Fenders.
- 539 530 R91 — Protective Frame for Farmall 766, 966, 1066, 1466, and 1468 Tractors with or without Deluxe Fenders and with Fixed Drawbar.
- 539 531 R91 — Protective Frame for Farmall 966, 1066, 1466, and 1468 Tractors with Fixed Drawbar and Wide Coverage Fenders.

## GENERAL PRECAUTIONS



This symbol is used to call your attention to instructions concerning your personal safety. Be sure to observe and follow these instructions.

The protective frame is provided to protect the operator in the event of an accidental tractor roll-over or upset. When used, it is mandatory that the operator ALWAYS fasten the seat belts furnished. **Note:** The use of seat belts without a protective frame IS NOT recommended.



**Caution!** Care must be exercised in operating the tractor, particularly on rough or hilly land, to minimize the possibility of an upset.

After an upset, no attempt should be made to straighten, weld, or otherwise repair the protective frame for further service. It must be replaced in its entirety.

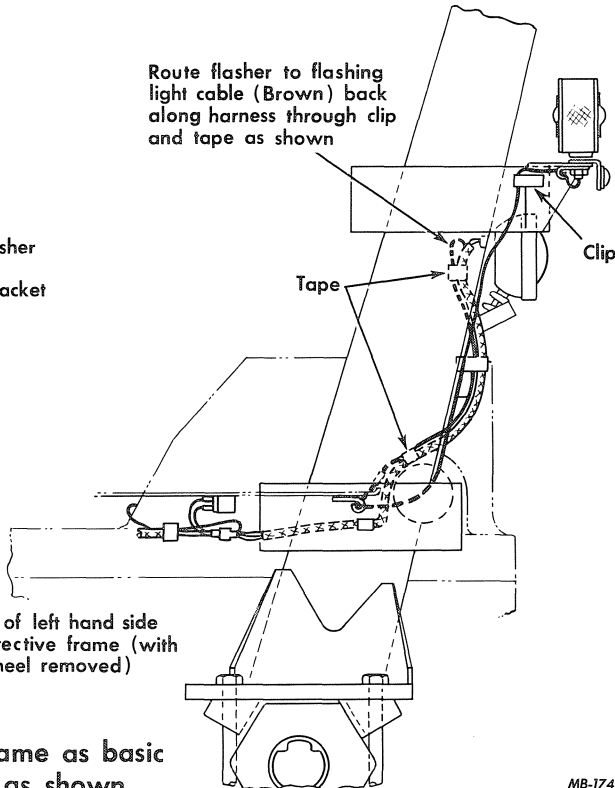
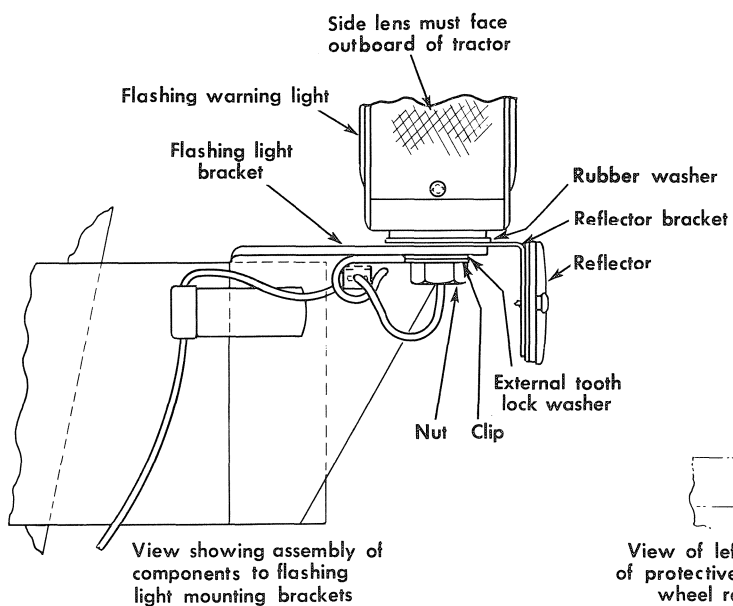
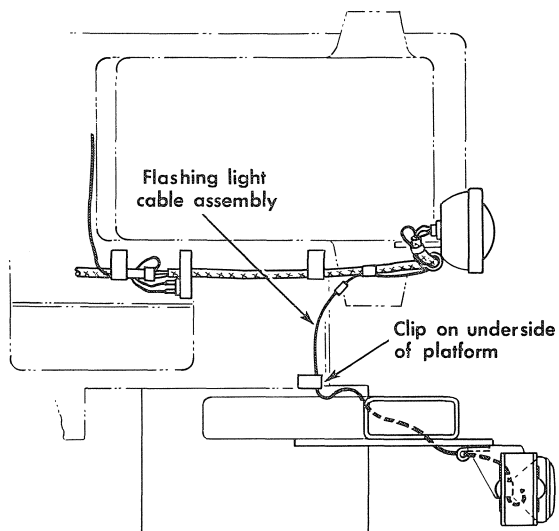
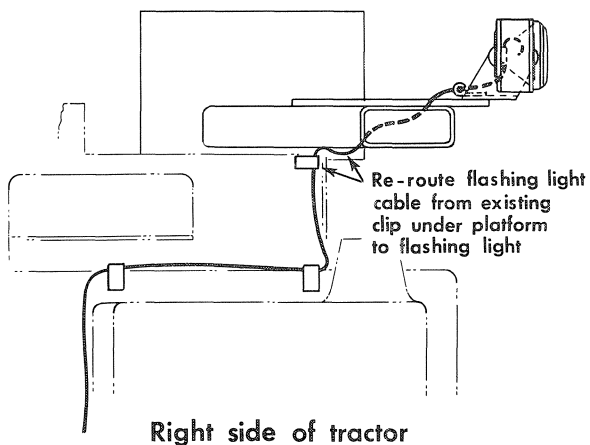
**Note:** Do not operate the tractor or run the engine, until a thorough inspection has been made to determine that all components, controls, systems, etc. are operating correctly. The tractor must be inspected for other damage, preferably, by your International Harvester dealer, and all necessary corrections made.



MA-1466

Side View of Farmall 1466 Tractor with Protective Frame.

# INSTALLATION



All wiring is the same as basic tractor except as shown

MB-174

Illust. 1  
Protective Frame wiring diagram

For Farmall 766, 966, 1066, 1466 and 1468 Tractors  
without Deluxe fenders

**Buy Now**



Our support email:

[ebooklibonline@outlook.com](mailto:ebooklibonline@outlook.com)