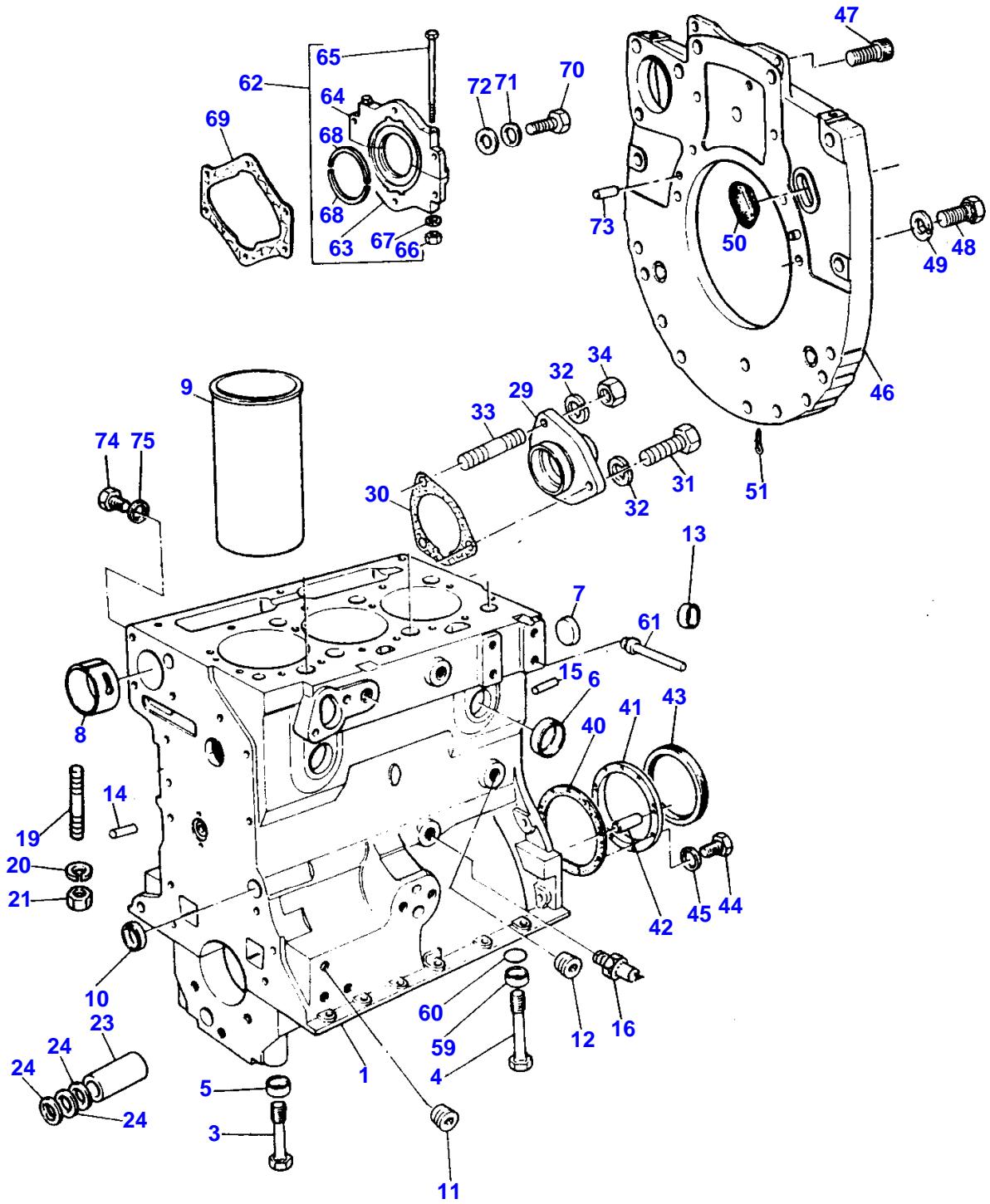


Page Title	Page Number
CYLINDER BLOCK - AD3.152	2
CRANKSHAFT & FLYWHEEL - AD3.152	6
CYLINDER HEAD AND COVER - AD3.152	8
ROCKER ARM - AD3.152	10
TIMING GEAR - AD3.152	12
LUBRICATING SYSTEM - AD3.152	16
WATER PUMP - AD3.152	20
FUEL PIPINGS AND FUEL FILTER - T3.152.4 ENGINE	22
FUEL FILTER - AD3.152	26
FUEL LIFT PUMP - AD3.152	28
STARTER MOTOR - LUCAS	30
ALTERNATOR	32
ALTERNATOR	33A
KIT GASKET - AD3.152	34
ENGINE - AD3.152	36
FUEL TANK	38
FUEL TANK AND PIPINGS	40
RADIATOR	42
INDUCTION MANIFOLD AND AIR FILTER	44
EXHAUST MANIFOLD AND MUFFLER - MUFFLER VERTICAL	46
EXHAUST MANIFOLD AND MUFFLER - MUFFLER HORIZONTAL	48
ENGINE CONTROLS	50
ELECTRICAL WIRING	52
BATTERY	54
LIGHTS	56
INSTRUMENT PANEL	58
DUAL CLUTCH - LUK TYPE	60
DUAL CLUTCH - O.M.G.	62
CLUTCH CONTROL	64
CENTRE AXLE HOUSING AND TRANSMISSION HOUSING	68
SYNCHRO-MESH TRANSMISSION	70
REDUCER	74
CONTROLS AND TRANSMISSION LEVERS	76
REDUCER CONTROL	78
POWER TAKE OFF - STD	80
POWER TAKE OFF - 540/1000 R.P.M.	82
DIFFERENTIAL	84
DIFFERENTIAL LOCK	86
REAR AXLE HOUSING	88
BRAKE AND CONTROLS	90
HAND BRAKE	94
BRAKE PUMP	96
BRAKE CYLINDER	98
RIM & TIRES	100
FRONT AXLE - 2 WHEEL DRIVE	102
STEERING HYDRAULIC EQUIPMENT	104
STEERING CONTROL DEVICE - 2 WHEEL DRIVE	108
STEERING OIL PUMP	112
STEERING CYLINDER - 2 WHEEL DRIVE	114
HYDRAULIC LIFT PUMP AND LINES	118
OIL PUMP - HYDRAULIC LIFT	120
HYDRAULIC CONTROL VALVE - HYDRAULIC LIFT	122
HYDRAULIC LIFT	124
LIFT CONTROL	128
PIPINGS AUXILIARY CONTROL VALVES	132
AUXILIARY HYDRAULICS VALVE - STANDARD	134
AUXILIARY HYDRAULICS VALVE - FLOATING	136
VALVE - HYDRAULICS EQUIPMENT	138
LINKAGE - CAT. I-II	142
REAR HOOK	148
REAR HOOK	150
DRAWBAR	152
HOOD BRACKET AND INSTRUMENT PANEL	154
ENGINE HOOD	156
HARDNOSE AND GRILLES	158
MOUNTING FRAME AND FRONT WEIGHTS	160

TABLE OF CONTENT

00

FENDERS	162
FENDERS AND PLATFORM	164
SEAT - GRAMMER	168
SEAT - BOSTROM	170
SAFETY FRAME	172
DECALS AND EMBLEMS	180
TOOL GROUP	184



Item	Part Number	Qty	Description	Comments
				AD3.152
1	64573	1	Cylinder Block	Up to Serial or Engine Number UA391004DL
	U5BA0007	1	Cylinder Block	From Serial or Engine Number UA391005DL
3	328181442	2	Bolt	1
4	32181441	6	Screw	1
5	33137408	6	Thimble	1
6	0650563	4	Plug	1
7	0650664	1	Plug	1
8	0650710	1	Plug	1
9	31358345	X	Liner	(B) 1
9	31358323	3	Liner	(A)
10	0650566	2	Plug	
11	32114471	3	Plug	
12	0650593	1	Plug	Up to Serial or Engine Number U726816K
	0650594	1	Plug	From Serial or Engine Number U726817K
14	0350005	1	Dowel	
15	0350016	2	Dowel	
16	1877721M92	1	Pressure Switch	
17	32524132	2	Stud	
19	0826285	1	Stud	
20	0920053	1	Washer	
21	0576002	1	Nut	
23	33266125	1	Spacer	
24	33121417	X	Shim	Thickness 0,9MM.
	33121416	X	Shim	Thickness 0,25MM.
	0760050	X	Shim	Thickness 0,13MM.
	33121415	X	Shim	Thickness 0,05MM.
29	37416753	1	Plate	
30	36862511	1	Joint	
31	0746253	2	Screw	
32	0920053	3	Washer	
33	0826201	1	Stud	
34	0576002	1	Nut	
40	33826111	1	Joint	From Serial or Engine Number UA391045DL
41	37424611	1	Housing	Up to Serial or Engine Number UA391044DL
	4142V002	1	Housing	From Serial or Engine Number UA391045DL
43	2415391	1	Seal	Up to Serial or Engine Number UA391044DL
	2418F475	1	Seal	From Serial or Engine Number UA391045DL
44	0746255	9	Setscrew	From Serial or Engine Number UA391045DL
45	0920003	9	Washer	From Serial or Engine Number UA391045DL
46	37147974	1	Plate	
47	0720798	2	Screw	
48	0746454	6	Setscrew	
49	0920054	6	Washer	
50	37813113	1	Plug	
51	0610045	1	Pin	
59	33137408	2	Thimble	
60	2415608	2	O Ring	
61	2485A204	1	Plug	(C) 1
62	41422034	1	Cover	Up to Serial or Engine Number UA391044D
63		1	Housing	Not serviced, order 62 62
64		1	Housing	Not serviced, order 62 62
65	0096243	2	Screw	62
66	0576002	2	Nut	62
67	0920053	2	Washer	62
68	36883106	2	Seal	62
69	36817134	1	Joint	Up to Serial or Engine Number UA391044D
70	0746354	6	Screw	Up to Serial or Engine Number UA391044D
71	0920299	6	Washer	Up to Serial or Engine Number UA391044D
72	33114118	6	Shim	Up to Serial or Engine Number UA391044D
73	0350016	2	Dowel	
74	0746451	2	Screw	
75	0920155	2	Washer	

(A)  
PRESS FIT  
(B)

MASSEY FERGUSON

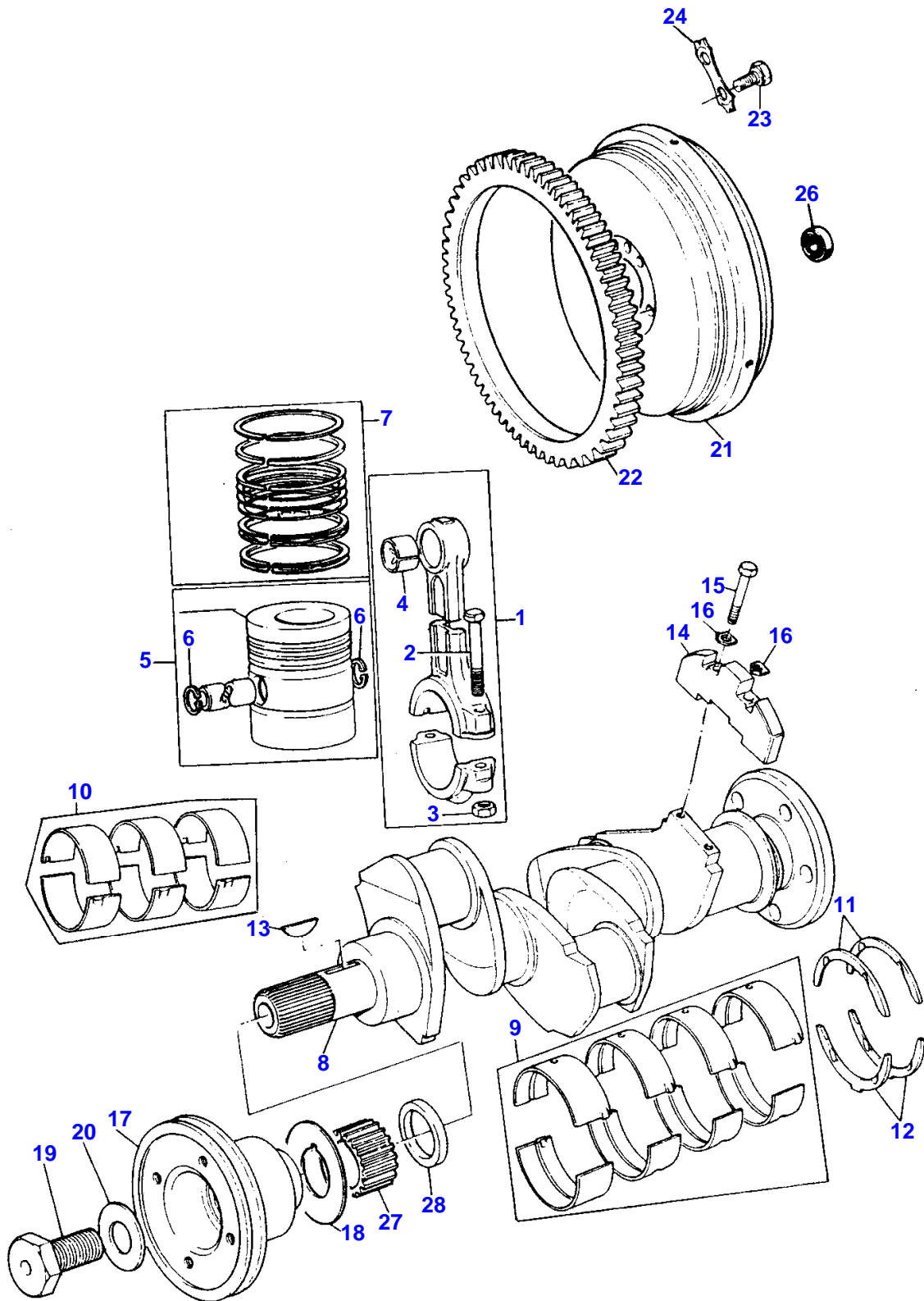
MF 134 V TRACTOR - 3310903

3310903

CYLINDER BLOCK - AD3.152

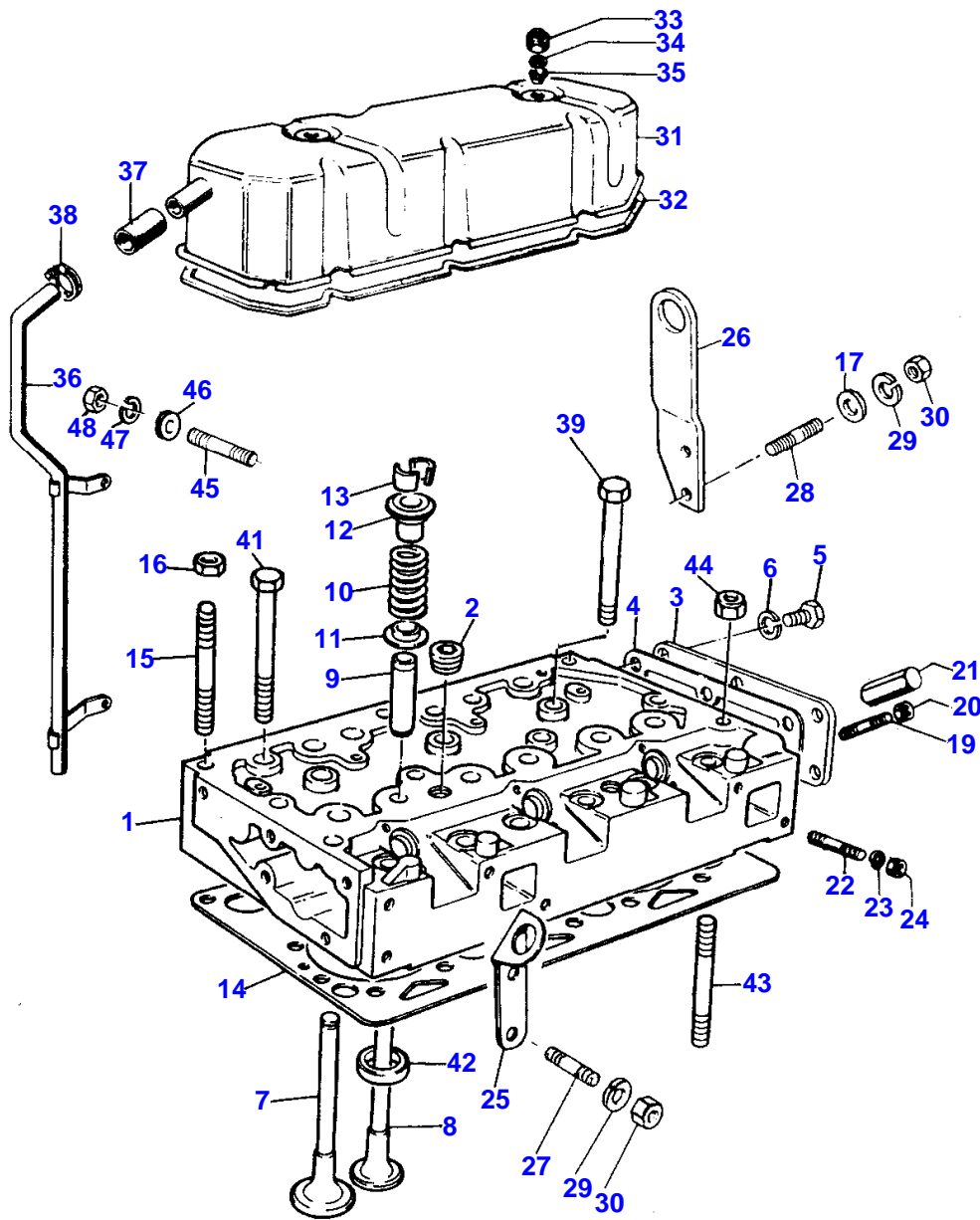
2

Item	Part Number	Qty	Description	Comments
				SLIP FIT (C) USED ONLY WITH U5BA0004 AND U5BA0007 AND U5BA0010



Item	Part Number	Qty	Description	Comments
				AD3.152
1	ZZ90010	3	Kit, Conrod	Repairs and replaces M7BJ0014
2	0095250	6	Bolt	1
3	33221327	6	Nut	1
4	31134151	3	Bush	1
5	68331	3	Kit, Piston	(B)
	68332	3	Kit, Piston	(C)
6	0170001	6	Circlip	5
7	41158057	3	Kit, Piston Ring	
8	U5BG0012	1	Kit, Crankshaft	Up to Serial or Engine Number UA391044D
	94458	1	Kit, Crankshaft	From Serial or Engine Number UA391045DL
9	68084	X	Kit, Bearing	8
	68084A	X	Kit, Bearing	(A) Thickness -0,254MM.
9	68084B	X	Kit, Bearing	(A) Thickness -0,508MM.
9	68084C	X	Kit, Bearing	(A) Thickness -0,762MM.
10	85036	X	Kit, Bearing	8
	85036A	X	Kit, Bearing	(A) Thickness -0,254MM.
10	85036B	X	Kit, Bearing	(A) Thickness -0,508MM.
10	85036C	X	Kit, Bearing	(A) Thickness -0,762MM.
11	31137211	2	Thrust Washer	8
	31137212	X	Washer	Thickness +0,178MM.
12	31137221	2	Thrust Washer	
	31137222	X	Washer	Thickness +0,178MM.
13	0500017	1	Woodruff Key	
14	31328241	2	Weight	
15	2185189	4	Screw	
16	31731516	2	Washer	Left Hand
	31731515	2	Washer	Right Hand
17	31147788	1	Pulley	
18	33176137	1	Washer	
19	32162312	1	Screw	
20	33125112	1	Washer	
21	1825512M1	1	Flywheel	
22	0410236	1	Starter Ring	
23	973013M1	6	Bolt	
24	0921062	3	Tab Washer	
26	339599X1	1	Bearing Ball	
27	0410132	1	Gear	
28	0330811	1	Spacer	

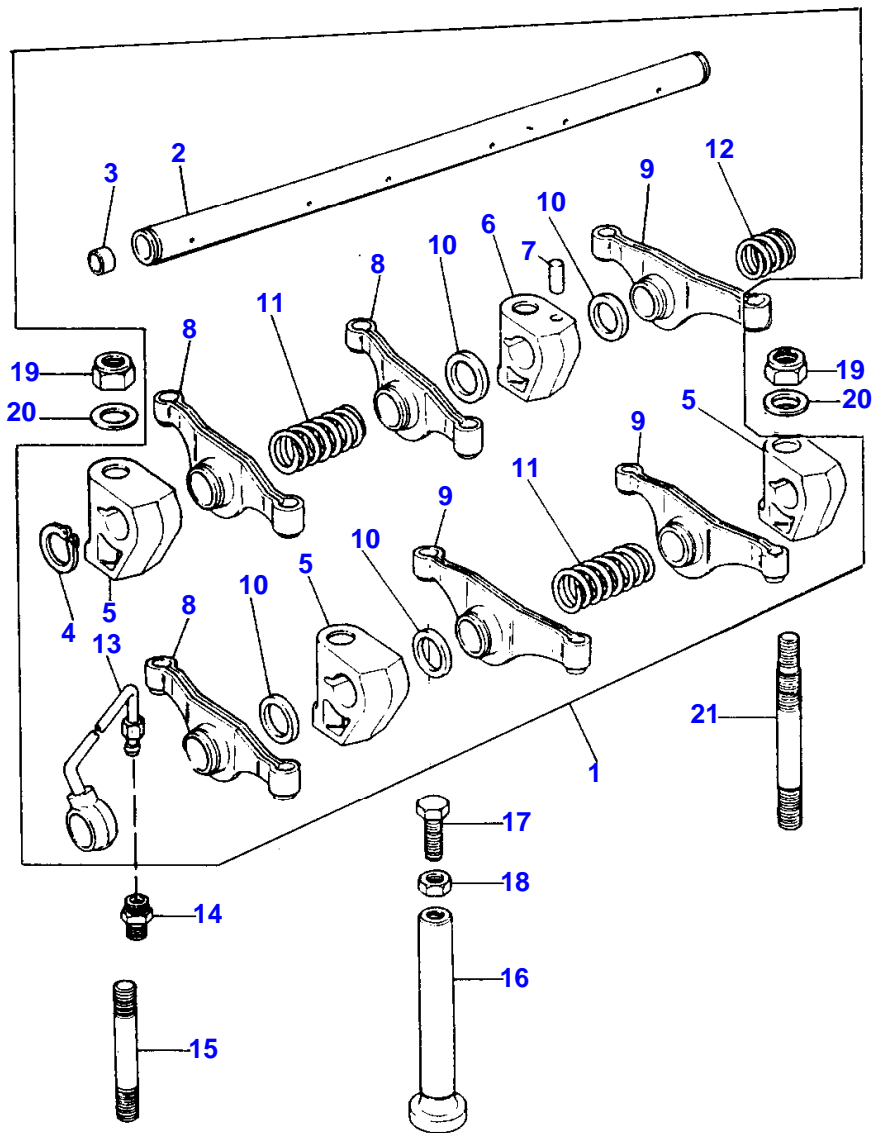
(A)  
PRE-FINISHED  
(B)  
UNTOPPED  
(C)  
PRE-TOPPED



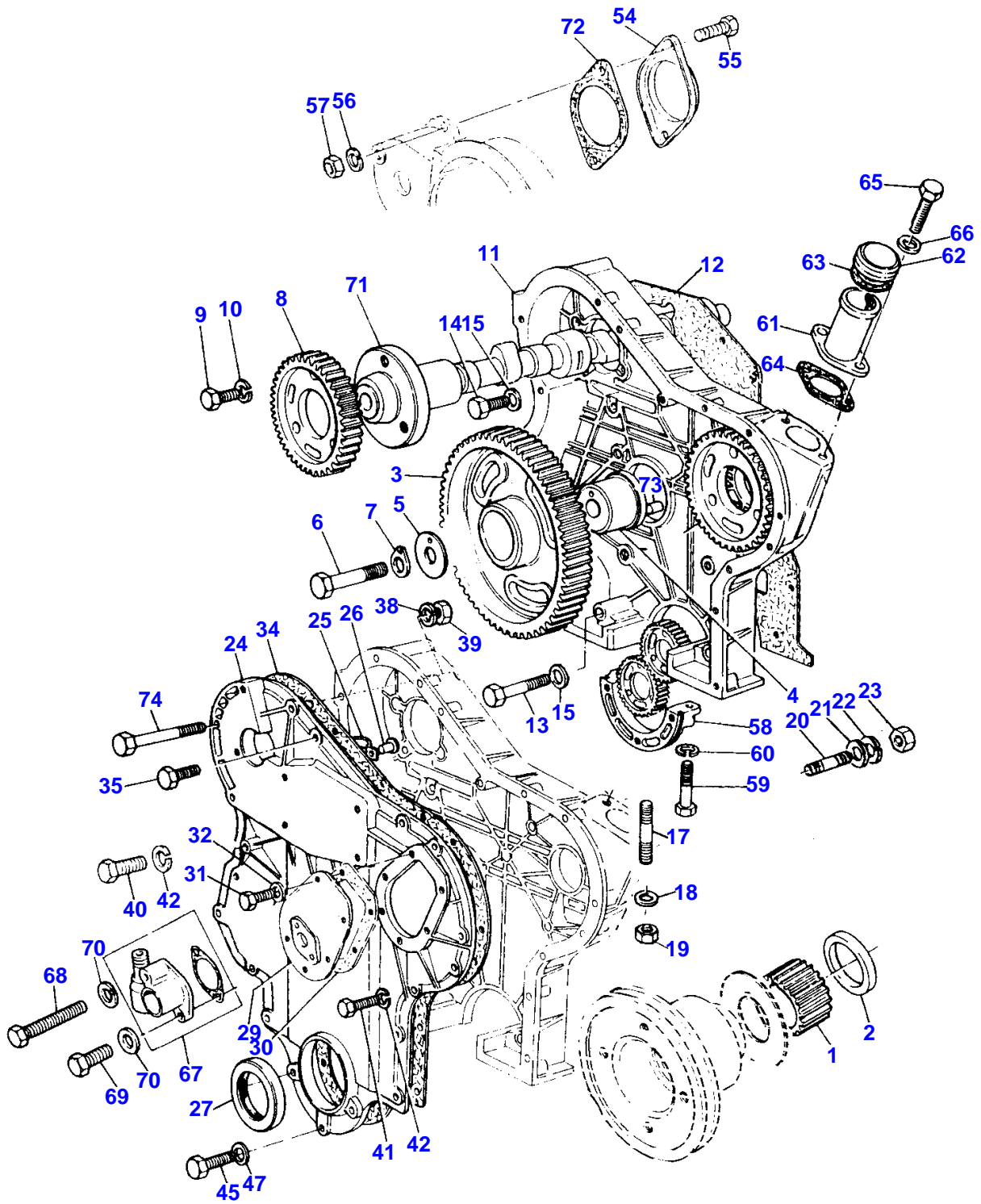


CYLINDER HEAD AND COVER - AD3.152

Item	Part Number	Qty	Description	Comments
				AD3.152
1	ZZ80082	1	Kit, Cyl. Head	Repairs and replaces 89141
2	2431154	2	Plug	1
3	3612M002	1	Plate	Repairs and replaces 0940737
				1
4	0490485	1	Joint	1
5	0746254	6	Setscrew	1
6	0920053	6	Washer	1
7	31431681	3	Valve Inlet	1
8	31431011	3	Valve Exhaust	Repairs and replaces 31431761
				1
9	33261723	6	Guide	1
10	0780006	6	Spring	1
11	33415133	6	Washer	1
12	33423148	6	Cap	Repairs and replaces 0150008
				1
13	0230001	12	Cotter	(A)
				1
14	3681E006	1	Head Gasket	Repairs and replaces 36812127
15	32524148	3	Stud	
16	33221315	3	Nut	Up to Serial or Engine Number U727260K
	33221329	3	Nut	From Serial or Engine Number U727261K
17	0920004	1	Washer	
19	2216105	6	Stud	Repairs and replaces 0826264
20	0576002	3	Nut	
21	32726512	3	Nut	
22		4		See Page - Reference Number 45
23		4		See Page - Reference Number 45
24		4		See Page - Reference Number 45
25	36456321	1	Plate	
26	36531408	1	Plate	
27	0826462	2	Stud	
28	2216194	2	Stud	Repairs and replaces 0826466
29	0920054	4	Washer	
30	0576051	4	Nut	
31	37188557	1	Cyl.Head Cover	
32	36811115	1	Joint	
33	0576102	2	Nut	
34	3381A003	2	Washer	
35	3314P004	2	Washer	
36	35732479	1	Pipe,Breather	
37	0202058	1	Hose	
38	2481863	2	Clip	
39	32181447	4	Screw	Up to Serial or Engine Number U727260K
	32181457	4	Screw	From Serial or Engine Number U727261K
41	32181446	9	Screw	Up to Serial or Engine Number U727260K
	32181458	9	Screw	From Serial or Engine Number U727261K
42	33124428	3	Insert	
43	32524132	2	Stud	
44	33221315	2	Nut	Up to Serial or Engine Number U727260K
	33221329	2	Nut	From Serial or Engine Number U727261K
45	2217602	1	Stud	Repairs and replaces 0827622
46	0920460	1	Spacer	
47	0920053	1	Washer	
48	0576002	1	Nut	
				(A)
				SERVICED IN PAIR

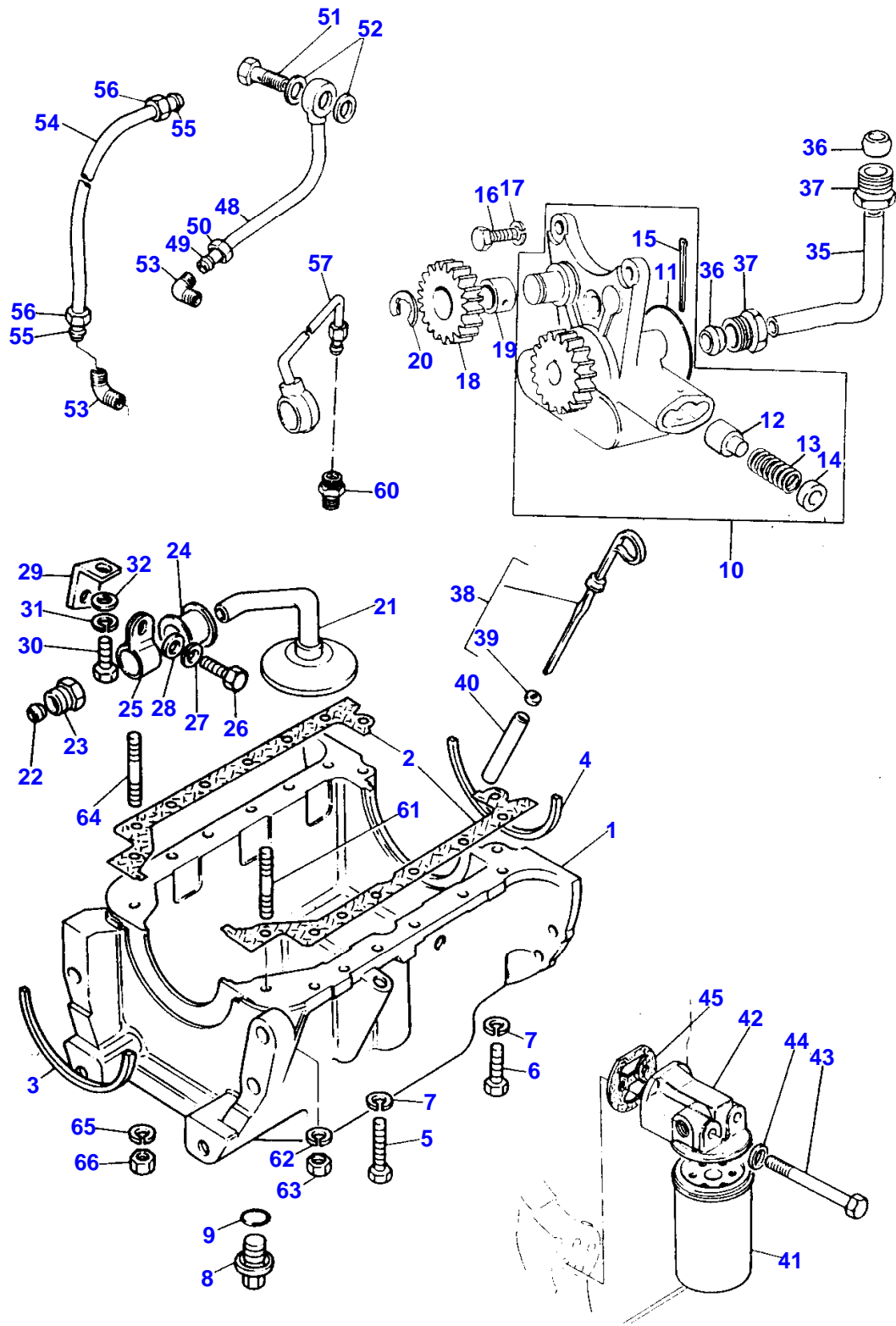


Item	Part Number	Qty	Description	Comments
				AD3.152
1	41151306	1	Rocker Shaft Ass	Repairs and replaces 83135
2	53843	1	Rocker Shaft	(A) 1
2	U7LR0002	1	Rocker Shaft	(B) 1
3	0650507	2	Plug	2
4	0170033	2	Circlip	4
5	0101138	4	Bracket	(A) 1
5	0101138	3	Bracket	(B) 1
6	37521212	1	Bracket	(B) 1
7	2112A066	1	Pin	(C) 1
8	3737A031	3	Lever	Left Hand Alternative 0520430 1
9	3737A041	3	Lever	Right Hand Alternative 0520429 1
10	0330505	4	Spacer	(A) 1
10	0330505	5	Spacer	(B) 1
11	0780005	2	Spring	1
12	0780175	1	Spring	1
13	35568352	1	Pipe	1
14	0206002	1	Union	
15	2214209	2	Stud	
16	0860012	6	Tappet	
17	0720677	6	Screw	
18	0576052	6	Nut	
19	2211283	4	Nut	
20	0920004	4	Washer	
21	32754435	2	Stud	
				(A) USED ONLY WITH 83135
				(B) USED ONLY WITH 41151306
				(C) USED ONLY WITH 37521212



TIMING GEAR - AD3.152

Item	Part Number	Qty	Description	Comments
				AD3.152
1	0410132	1	Gear	Number of teeth/spines 25
2	0330811	1	Spacer	
3	31164362	1	Gear	Number of teeth/spines 90
4	0995447	1	Hub	
5	0940738	1	Plate	
6	0095199	1	Screw	
7	0920883	1	Washer	
8	0410241	1	Gear	Number of teeth/spines 50
9	0746214	3	Screw	
10	0920053	3	Washer	
11	37161481	1	Housing	
12	36814119	1	Joint	
13	0746355	12	Screw	
14	0096234	2	Bolt	
15	0920053	14	Washer	
17	0826265	2	Stud	
18	0920053	2	Washer	
19	0576002	2	Nut	
20	0827619	3	Stud	
21	0920003	3	Washer	
22	0920053	3	Washer	
23	0576002	3	Nut	
24	A5FH0245	1	Kit, Front Cover	Repairs and replaces A5FH0197
25	3661P002	1	Spring	24
26	2126151	1	Rivet	24
27	2415344	1	Seal	Repairs and replaces 2415343 24
29	37523171	1	Cover	24
30	36862512	1	Joint	24
31	0748353	6	Screw	24
32	2411151	6	Washer	24
34	36813136	1	Joint	
35	0096213	2	Bolt	
38	0920053	3	Washer	
39	0576002	3	Nut	
40	0748354	1	Screw	
41	0748353	8	Screw	
42	0920052	9	Washer	
45	2233207	3	Screw	
47	0920053	3	Washer	
54	37461104	1	Plate	
55	0748510	2	Bolt	
56	0920054	2	Washer	
57	2238153	2	Nut	
58	37354312	1	Cover	
59	0096232	2	Bolt	
60	0920053	2	Washer	
61	35784123	1	Filler	
62	2487854	1	Cap	61
63	24870001	1	Joint	62
64	36837413	1	Joint	
65	2183204	2	Screw	Repairs and replaces 0746254
66	0920053	2	Washer	
67	2758346	1	Angle Drive	
68	0748353	1	Screw	
69	0748357	1	Screw	
70	2411151	2	Washer	
71	31415261	1	Camshaft	
72	36835413	1	Joint	
73	0350005	1	Dowel	
74	0096240	1	Bolt	



**Buy Now**



Our support email:

[ebooklibonline@outlook.com](mailto:ebooklibonline@outlook.com)