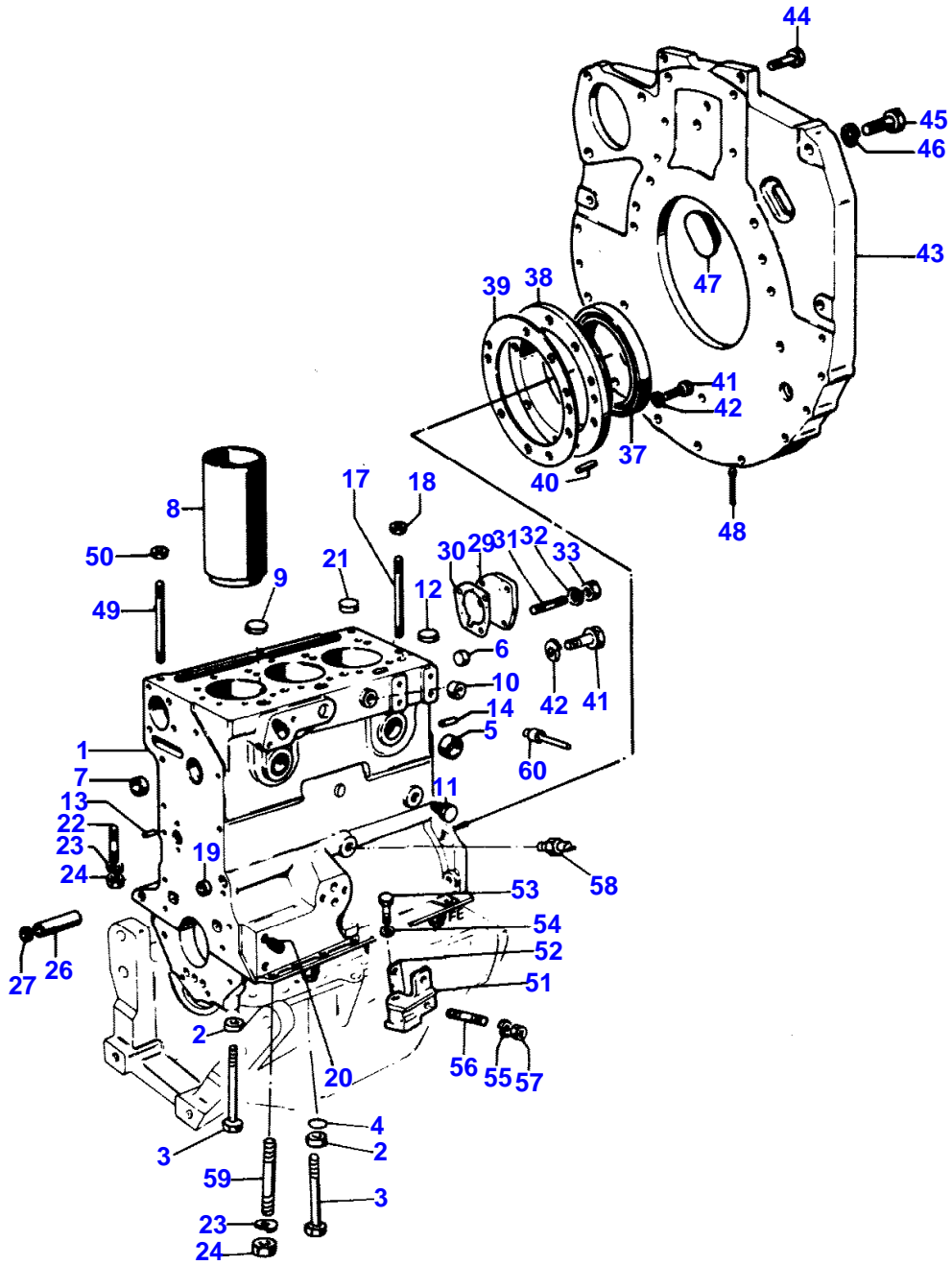


Page Title	Page Number
CYLINDER BLOCK - T3.152.4 ENGINE	2
CYLINDER BLOCK	4
CRANKSHAFT - T3.152.4 ENGINE	6
CYLINDER HEAD AND COVER - T3.152.4 ENGINE	8
ROCKER ARM - T3.152.4 ENGINE	10
TIMING GEAR - T3.152.4	12
LUBRICATING OIL SYSTEM - T3.152.4 ENGINE	14
WATER PUMP AND FAN - T3.152.4 ENGINE	16
TURBOCHARGER - T3.152.4 ENGINE	18
FUEL PIPINGS AND FUEL FILTER - T3.152.4 ENGINE	20
LUBRICATING OIL FILTER - T3.152.4 ENGINE	24
FUEL FILTER - T3.152.4 ENGINE	26
FUEL LIFT PUMP - T3.152.4 ENGINE	28
STARTER MOTOR	30
ALTERNATOR - T3.152.4 ENGINE	32
KIT GASKETS - T3.152.4 ENGINE	34
ENGINE - T3.152.4 ENGINE	36
FUEL TANK	38
FUEL TANK AND PIPINGS	40
RADIATOR	42
INDUCTION MANIFOLD	44
AIR FILTER	46
EXHAUST MANIFOLD AND MUFFLER	48
EXHAUST MANIFOLD AND MUFFLER - MUFFLER VERTICAL	50
ENGINE CONTROLS	52
ELECTRICAL WIRING	54
BATTERY	56
LIGHTS	58
INSTRUMENT PANEL	60
DUAL CLUTCH - LUK TYPE	62
DUAL CLUTCH - O.M.G.	64
CLUTCH CONTROL	66
CENTRE AXLE HOUSING AND TRANSMISSION HOUSING	70
SYNCHRO-MESH TRANSMISSION	72
REDUCER	76
REDUCER CONTROL	78
CONTROLS AND TRANSMISSION LEVERS	80
POWER TAKE OFF - STD LINKAGE	82
POWER TAKE OFF - 540/1000 R.P.M.	84
DIFFERENTIAL	86
DIFFERENTIAL LOCK	88
REAR AXLE HOUSING	90
BRAKE AND CONTROLS	92
HAND BRAKE	96
BRAKE PUMP	98
BRAKE CYLINDER	100
HYDRAULIQUE TRAILER BRACKING SYSTEM	102
RIM & TIRES	104
FRONT AXLE - 2 WHEEL DRIVE	108
STEERING HYDRAULIC EQUIPMENT	110
STEERING CONTROL VALVE - 2 WHEEL DRIVE	114
STEERING CONTROL DEVICE - 4 WHEEL DRIVE	116
STEERING PUMP	118
STEERING CYLINDER - 2 WHEEL DRIVE	120
STEERING CYLINDER - 4 WHEEL DRIVE	122
STEERING CYLINDER - 4 WHEEL DRIVE	123A
HYDRAULIC LIFT PIPINGS	124
OIL PUMP - HYDRAULIC LIFT	126
HYDRAULIC LIFT VALVE - HYDRAULIC LIFT	128
HYDRAULIC LIFT	130
LIFT CONTROL	134
PIPINGS AUXILIARY CONTROL VALVE - 3 CONTROL VALVES	138
ADDITIONAL POWER OUTLET UNIT	140
AUXILIARY HYDRAULICS VALVE - STANDARD	142
AUXILIARY HYDRAULICS VALVE - FLOATING	144
VALVES - HYDRAULICS EQUIPMENT	146

TABLE OF CONTENT

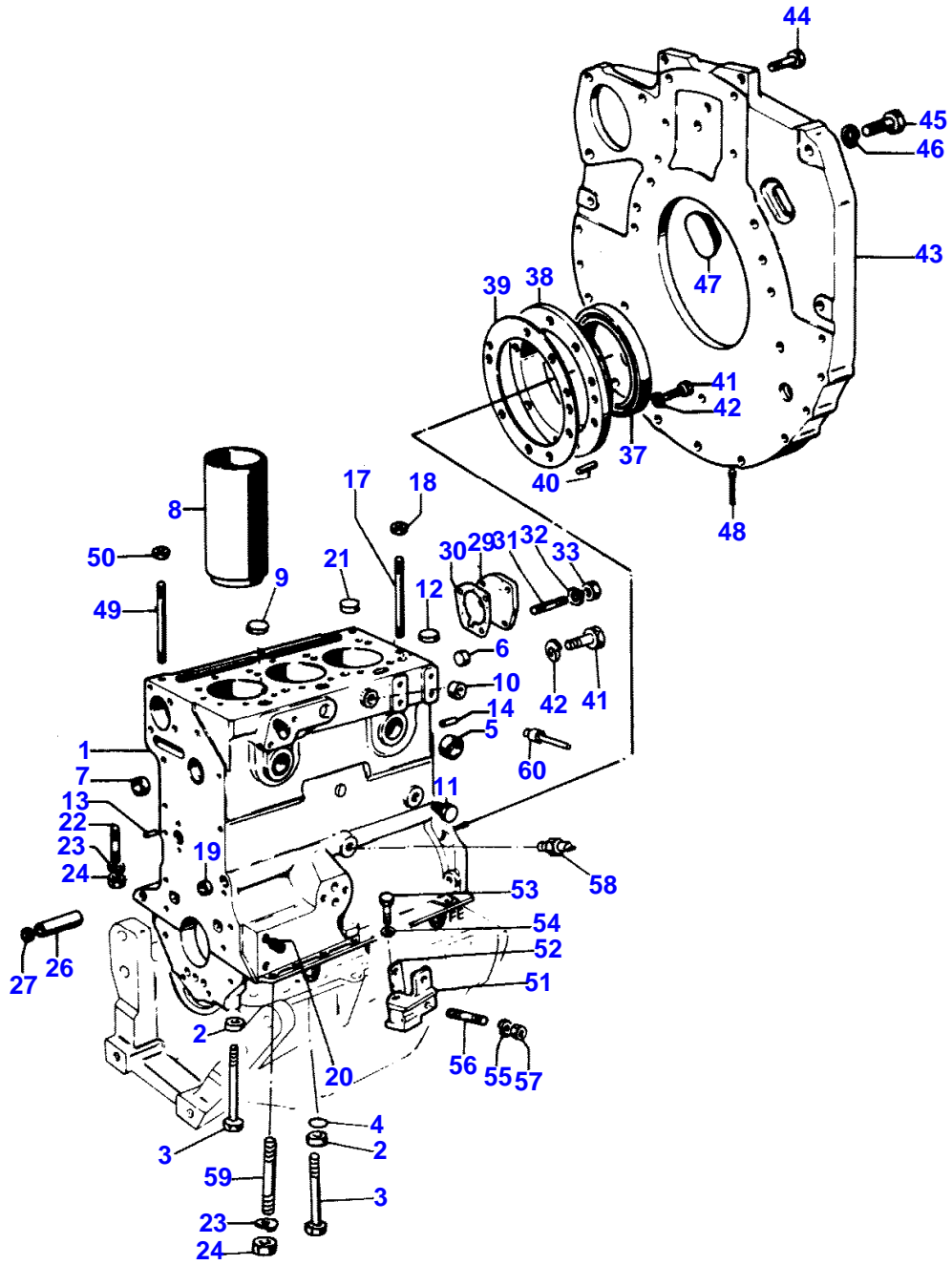
00

LINKAGE - CAT 2	148
REAR HOOK	152
REAR HOOK	154
DRAWBAR	156
HOOD BRACKET AND INSTRUMENT PANEL	158
ENGINE HOOD	160
HARDNOSE AND GRILLES	162
MOUNTING FRAME AND FRONT WEIGHTS	164
FRAME	166
FENDERS AND PLATFORM	168
SEAT	171A
SEAT	172
SAFETY FRAME	174
DECAL AND EMBLEMS	178
DECAL AND EMBLEMS	182
TRANSFER GEAR BOX - 4 WHEEL DRIVE	186
FRONT AXLE - HOUSING-DIFFERENTIAL-CAT I	188
FRONT AXLE - FINAL DRIVE	192
TOOL GROUP	194



Item	Part Number	Qty	Description	Comments
				T3.152.4 ENGINE
1	41423506	1	Cylinder Block	
2	33137408	1	Thimble	1
3	32181441	6	Screw	1
	32181442	2	Screw	1
4	2415608	2	O Ring	
5	0650563	4	Plug	1
6	0650664	1	Plug	1
7	0650710	1	Plug	1
8	31358345	3	Liner	(B)
	31358323	3	Liner	(A)
				1
9	33141124	1	Plug	1
10	32417115	2	Plug	1
11	32161357	1	Plug	
12	33157143	2	Plug	
13	0350005	1	Dowel	
14	0350016	2	Dowel	
17	32524132	2	Stud	
18	33221329	2	Nut	
19	0650566	2	Plug	
20	32114471	3	Plug	
21	33157142	2	Plug	
22	0826285	1	Stud	
23	0920053	3	Washer	
24	0576002	3	Nut	
26	33266125	1	Spacer	
27	33121417	X	Shim	Thickness 0,9 MM.
	33121416	X	Shim	Thickness 0,25 MM.
	0760050	X	Shim	Thickness 0,13 MM.
	33121415	X	Shim	Thickness 0,05 MM.
29	37416753	1	Plate	
30	36862511	1	Joint	
31	0826201	1	Stud	
32	0920053	3	Washer	
33	0576002	1	Nut	
37	2418F475	1	Seal	38
38	4142V002	1	Housing	
39	33826111	1	Joint	
40	0350015	2	Dowel	
41	0746255	11	Setscrew	
42	0920053	11	Washer	
43	37147974	1	Plate	
44	0720798	2	Screw	
45	0746454	6	Setscrew	
46	0920054	6	Washer	
47	37813113	1	Plug	
48	0610045	1	Pin	
49	32524148	3	Stud	
50	33221329	3	Nut	
51	38156311	1	Bracket	
52	36113131	1	Spacer	
53	0097109	1	Bolt	
54	0920058	1	Washer	
55	0920056	2	Washer	
56	0826833	2	Stud	
57	0576005	2	Nut	
58	1423895M91	1	Switch	
59	0826265	2	Stud	
60	2485A204	1	Plug	

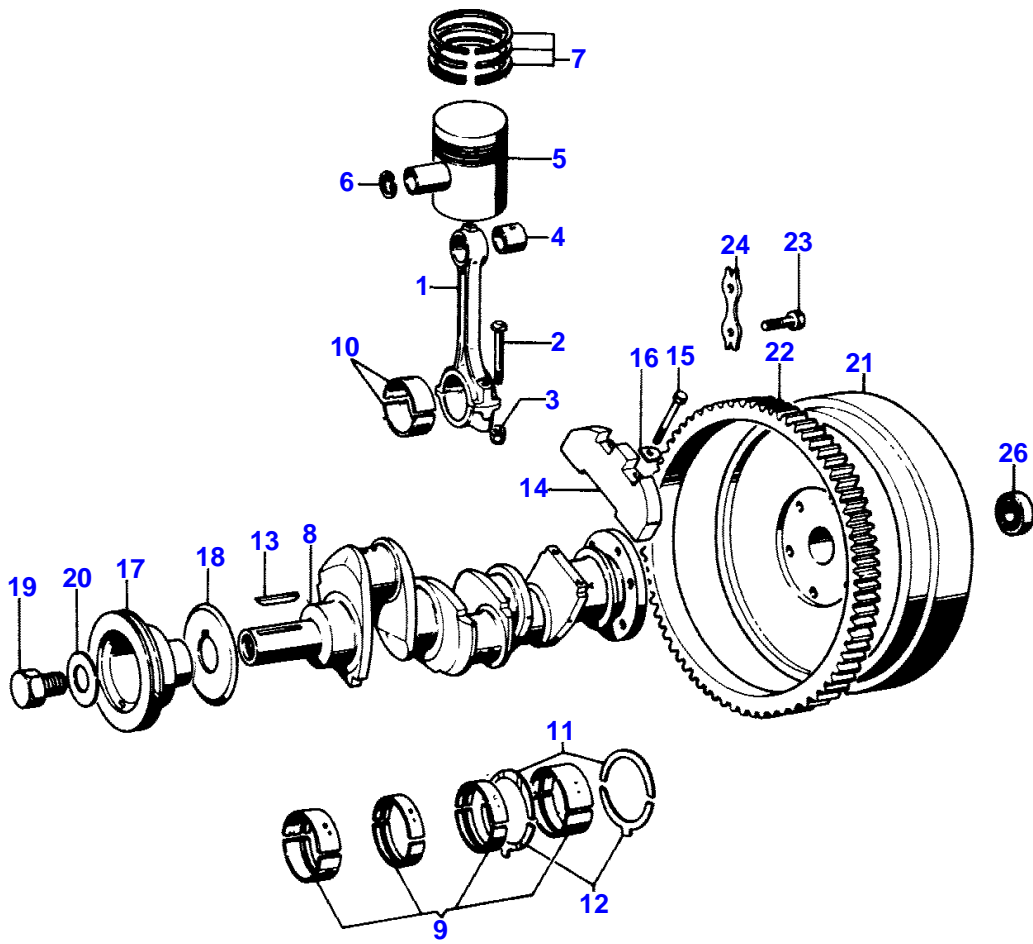
(A)  
PRESS FIT  
(B)  
SLIP FIT



CYLINDER BLOCK

Item	Part Number	Qty	Description	Comments
ppp 6				T3.152.4 ENGINE
1	M7BJ0014	3	Kit, Conrod	
2	0095250	6	Bolt	1
3	33221327	6	Nut	1
4	31134151	3	Bush	1
5	U5LU0014	3	Kit, Piston	
6	0170001	2	Circlip	5
7	41158144	1	Kit, Piston Ring	
8	U5BG0021	1	Kit, Crankshaft	
9	68084	X	Kit, Bearing	(A) 8
9	68084A	X	Kit, Bearing	(A) Thickness -0,254MM.
9	68084B	X	Kit, Bearing	(A) Thickness -0,508MM.
9	68084C	X	Kit, Bearing	(A) Thickness -0,762MM.
10	85036	X	Kit, Bearing	(A) 8
10	85036A	X	Kit, Bearing	(A) Thickness -0,254MM.
10	85036B	X	Kit, Bearing	(A) Thickness -0,508MM.
10	85036C	X	Kit, Bearing	(A) Thickness -0,762MM.
11	31137211	2	Thrust Washer	8
	31137212	X	Washer	Thickness +0,178 MM.
12	31137221	2	Thrust Washer	8
	31137222	X	Washer	Thickness +0,178 MM.
13	36271704	1	Woodruff Key	
14	31328241	2	Weight	
15	2185189	4	Screw	
16	31731516	2	Washer	Left Hand
	31731515	2	Washer	Right Hand
17	31147788	1	Pulley	
18	33176137	1	Washer	
19	32162312	1	Screw	
20	33125112	1	Washer	
21	1825512M1	1	Flywheel	
22	0410236	1	Starter Ring	
23	973013M1	6	Bolt	
24	0921062	3	Tab Washer	
26	339599X1	1	Bearing Ball	(A)

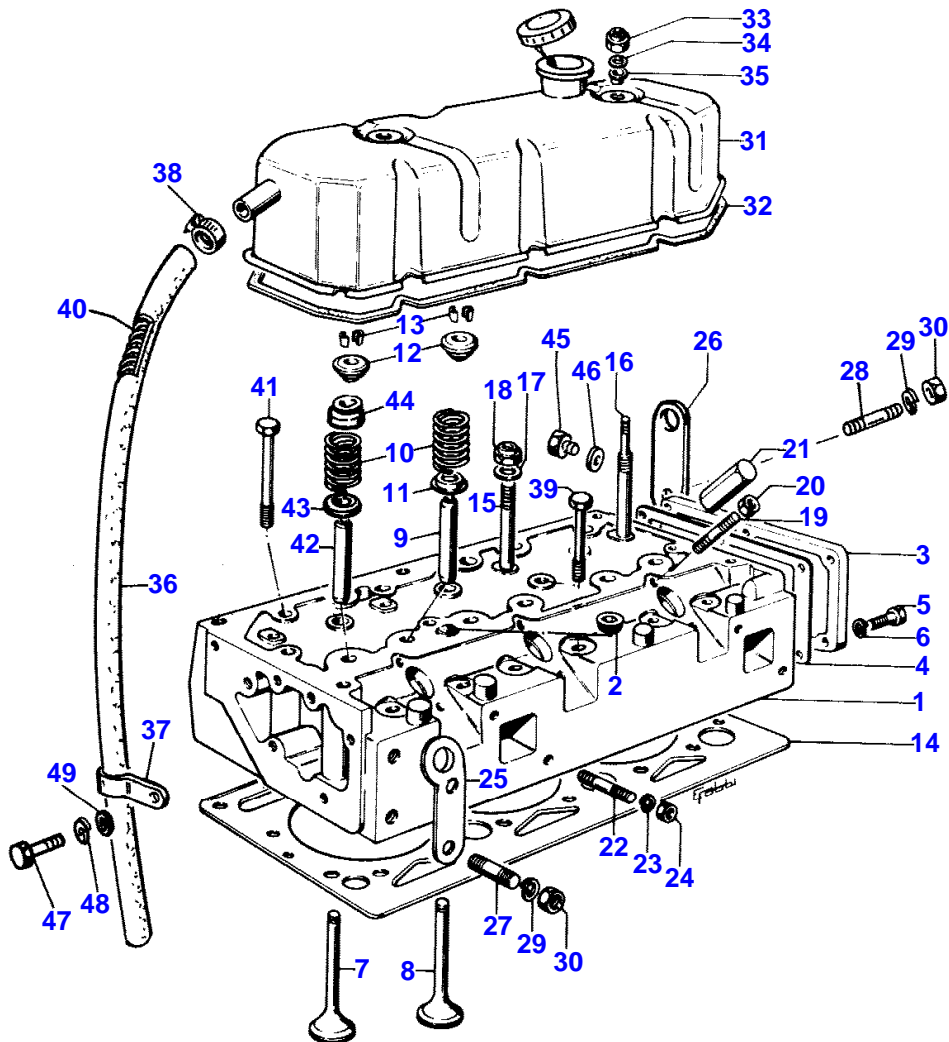
(A)  
BEARINGS ARE SEMIFINISHED



CRANKSHAFT - T3.152.4 ENGINE

Item	Part Number	Qty	Description	Comments
				T3.152.4 ENGINE
1	M7BJ0014	3	Kit, Conrod	
2	0095250	6	Bolt	1
3	33221327	6	Nut	1
4	31134151	3	Bush	1
5	U5LU0014	3	Kit, Piston	
6	0170001	2	Circlip	5
7	41158144	1	Kit, Piston Ring	
8	U5BG0021	1	Kit, Crankshaft	
9	68084	X	Kit, Bearing	(A) 8
9	68084A	X	Kit, Bearing	(A) Thickness -0,254MM.
9	68084B	X	Kit, Bearing	(A) Thickness -0,508MM.
9	68084C	X	Kit, Bearing	(A) Thickness -0,762MM.
10	85036	X	Kit, Bearing	(A) 8
10	85036A	X	Kit, Bearing	(A) Thickness -0,254MM.
10	85036B	X	Kit, Bearing	(A) Thickness -0,508MM.
10	85036C	X	Kit, Bearing	(A) Thickness -0,762MM.
11	31137211	2	Thrust Washer	8
	31137212	X	Washer	Thickness +0,178 MM.
12	31137221	2	Thrust Washer	8
	31137222	X	Washer	Thickness +0,178 MM.
13	36271704	1	Woodruff Key	
14	31328241	2	Weight	
15	2185189	4	Screw	
16	31731516	2	Washer	Left Hand
	31731515	2	Washer	Right Hand
17	31147788	1	Pulley	
18	33176137	1	Washer	
19	32162312	1	Screw	
20	33125112	1	Washer	
21	1825512M1	1	Flywheel	
22	0410236	1	Starter Ring	
23	973013M1	6	Bolt	
24	0921062	3	Tab Washer	
26	339599X1	1	Bearing Ball	(A) BEARINGS ARE SEMIFINISHED

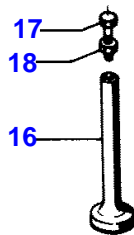
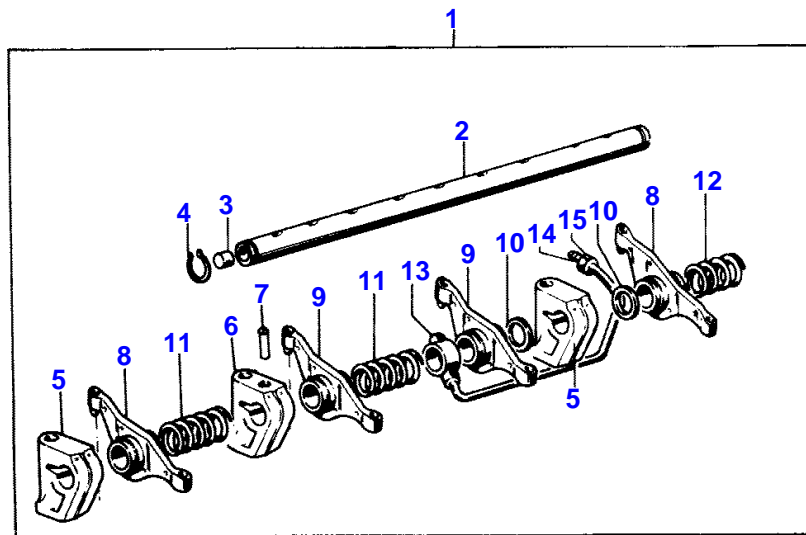




CYLINDER HEAD AND COVER - T3.152.4 ENGINE

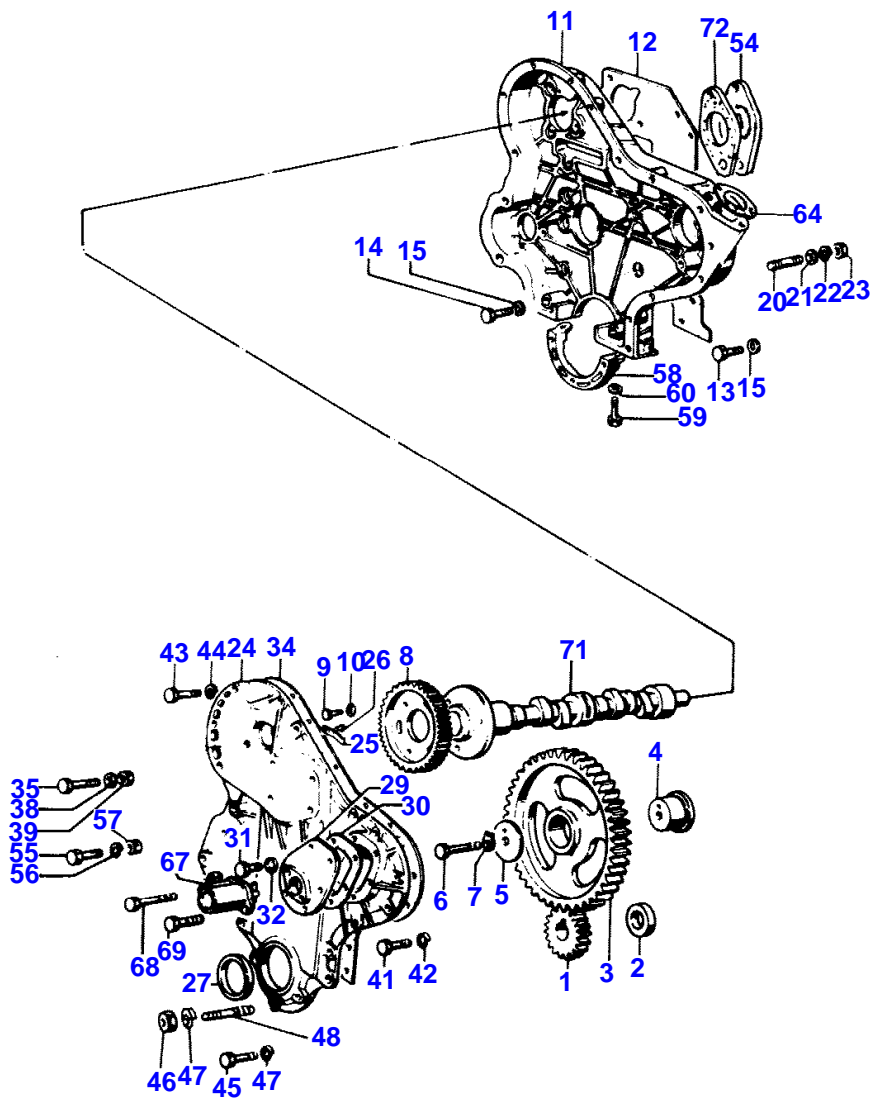
Item	Part Number	Qty	Description	Comments
				T3.152.4 ENGINE
1	U5BD0003	1	Cylinder Head	
2	2431154	1	Plug	1
3	3612M002	1	Plate	1
4	0490485	1	Joint	1
5	0746254	6	Setscrew	1
6	0920053	6	Washer	1
7	31431981	3	Valve Inlet	1
8	31431011	3	Valve Exhaust	1
9	33261723	3	Guide	1
10	0780006	6	Spring	1
11	33415133	3	Washer	1
12	33423148	6	Cap	1
13	0230001	12	Cotter	(A) 1
14	3681E006	1	Head Gasket	
15	2214209	2	Stud	
16	32754435	2	Stud	
17	0920004	4	Washer	
18	2211283	4	Nut	
19	2216105	6	Stud	
20	0576002	3	Nut	
21	32726512	3	Nut	
22		4	Stud	See Page - Reference Number 48
23		4	Washer	See Page - Reference Number 48
24		4	Nut	See Page - Reference Number 48
25	3624V004	1	Plate	
26	36531408	1	Plate	
27	0826462	2	Stud	
28	0826466	2	Stud	
29	0920054	4	Washer	
30	0576051	4	Nut	
31	37188197	1	Cyl.Head Cover	
32	36811115	1	Joint	
33	0576102	2	Nut	
34	0920003	2	Washer	
35	0920302	2	Washer	
36	33872531	1	Pipe	
37	36561129	2	Clip	
38	0180063	1	Clip	
39	32181457	4	Screw	
40	31754118	1	Spring	
41	32181458	9	Screw	
42	33261727	3	Guide	1
43	33177518	3	Washer	1
44	2415258	3	Seal	1
45	0746451	2	Screw	
46	0920155	2	Washer	
47	0748354	1	Screw	
48	0920052	1	Washer	
49	0920002	1	Washer	

(A)  
SERVICED IN PAIR



ROCKER ARM - T3.152.4 ENGINE

Item	Part Number	Qty	Description	Comments
				T3.152.4 ENGINE
1	41151306	1	Rocker Shaft Ass	
2	U7LR0002	1	Rocker Shaft	1
3	0650507	2	Plug	2
4	0170033	2	Circlip	1
5	0101138	3	Bracket	1
6	37521212	1	Bracket	1
7	2112A066	1	Pin	1
8	3737A031	3	Lever	Left Hand 1
9	3737A041	3	Lever	Right Hand 1
10	0330505	4	Spacer	1
11	0780005	2	Spring	1
12	0780175	1	Spring	1
13	35568352	1	Pipe	1
14	0566002	1	Olive	13
15	0576111	1	Nut	13
16	0860012	6	Tappet	
17	0720677	6	Screw	
18	0576052	6	Nut	



TIMING GEAR - T3.152.4

Item	Part Number	Qty	Description	Comments
				T3.152.4
1	0410132	1	Gear	Number of teeth/spines 25
2	0330811	1	Spacer	
3	31164362	1	Gear	Number of teeth/spines 90
4	0995447	1	Hub	
5	0940738	1	Plate	
6	0095199	1	Screw	
7	0920883	1	Washer	
8	0410241	1	Gear	Number of teeth/spines 50
9	0746214	3	Screw	
10	0920053	3	Washer	
11	37161481	1	Housing	
12	36814119	1	Joint	
13	0746355	12	Screw	
14	0096234	2	Bolt	
15	0920053	14	Washer	
20	0827619	3	Stud	
21	0920003	3	Washer	
22	0920053	3	Washer	
23	0576002	3	Nut	
24	A5FH0245	1	Kit, Front Cover	
25	3661P002	1	Spring	24
26	2126151	1	Rivet	24
27	2415344	1	Seal	
29	37523171	1	Cover	24
30	36862512	1	Joint	24
31	0748353	6	Screw	
32	2411151	6	Washer	
34	36813136	1	Joint	
35	0096213	2	Bolt	
38	0920053	2	Washer	
39	0576002	2	Nut	
41	0748353	8	Screw	
42	0920052	8	Washer	
43	0748414	2	Setscrew	
44	0920053	2	Washer	
45	0748405	3	Screw	
46	0576002	1	Nut	
47	0920053	3	Washer	
48	0827619	1	Stud	
54	37461104	1	Plate	
55	0748510	2	Bolt	
56	0920054	2	Washer	
57	2238153	2	Nut	
58	37354312	1	Cover	
59	0096232	2	Bolt	
60	0920053	2	Washer	
64		1	Gasket	See Page - Reference Number 44
67	2758346	1	Angle Drive	
68	0748353	1	Screw	
69	0748357	1	Screw	
71	31415264	1	Camshaft	
72	36835413	1	Joint	

**Buy Now**



Our support email:

[ebooklibonline@outlook.com](mailto:ebooklibonline@outlook.com)