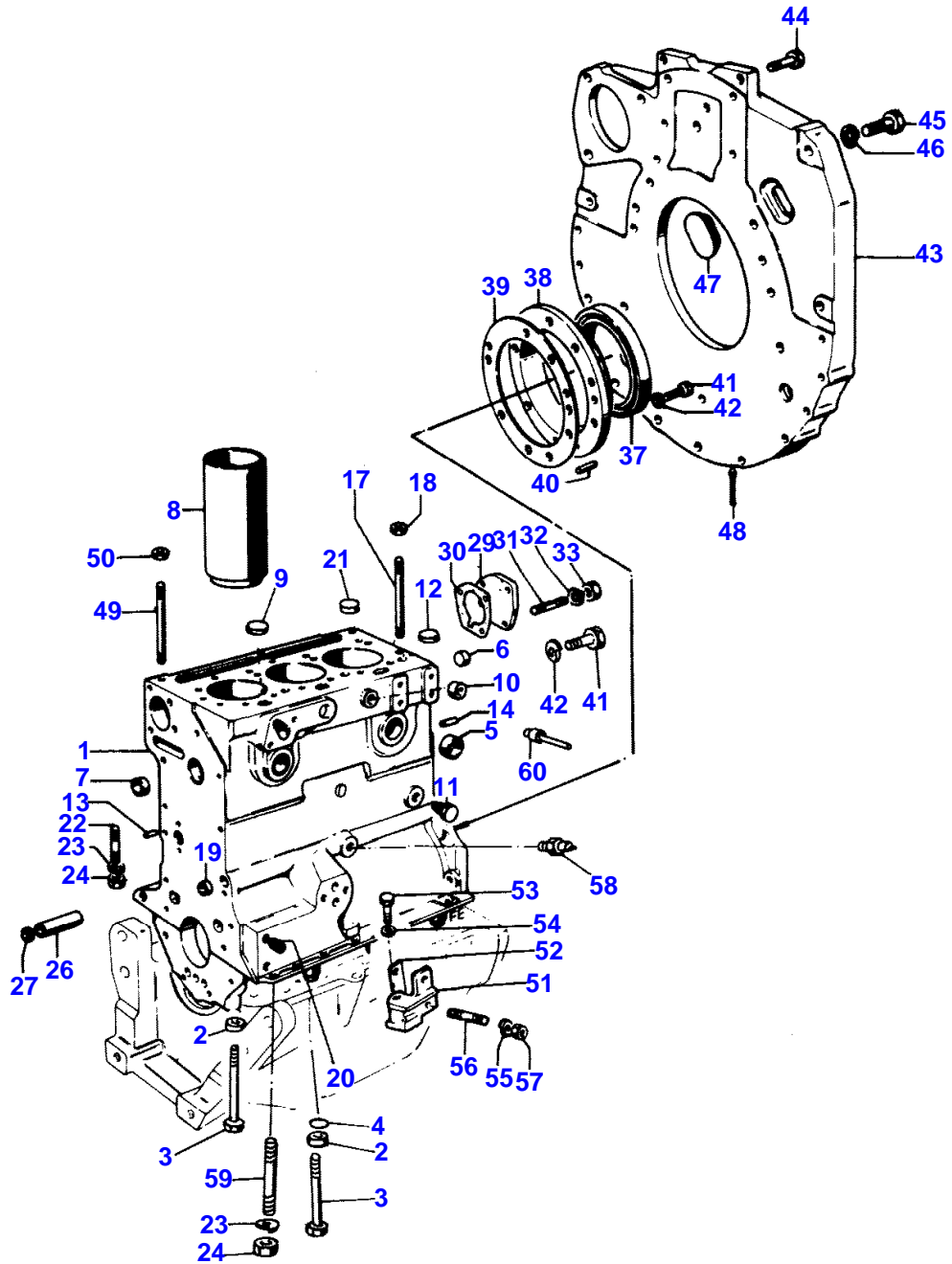


Page Title	Page Number
CYLINDER BLOCK - T3.152.4	2
CRANKSHAFT & FLYWHEEL - T3.152.4	6
CYLINDER HEAD AND COVER - T3.152.4	8
ROCKER ARM - T3.152.4	10
TIMING GEAR - T3.152.4	12
LUBRICATING OIL SYSTEM - T3.152.4	14
WATER PUMP AND FAN - T3.152.4	16
TURBOCHARGER - T3.152.4	18
FUEL PIPINGS AND FUEL FILTER - T3.152.4	20
LUBRICATING OIL FILTER - T3.152.4	24
FUEL FILTER - T3.152.4	26
FUEL LIFT PUMP - T3.152.4	28
STARTER MOTOR	30
ALTERNATOR	32
KIT GASKETS - T3.152.4	34
ENGINE - T3.152.4	36
FUEL TANK	38
FUEL TANK AND PIPINGS	40
RADIATOR	42
INDUCTION MANIFOLD	44
AIR FILTER	46
EXHAUST MANIFOLD AND MUFFLER	48
EXHAUST MANIFOLD AND MUFFLER - MUFFLER VERTICAL	50
ENGINE CONTROLS	52
ELECTRICAL WIRING	54
BATTERY	56
LIGHTING	58
INSTRUMENT PANEL	60
DUAL CLUTCH - LUK	62
DUAL CLUTCH - O.M.G.	64
CLUTCH CONTROL	66
CENTRE AXLE HOUSING AND TRANSMISSION HOUSING	70
SYNCHRO-MESH TRANSMISSION	72
REDUCER	76
REDUCER CONTROL	78
CONTROLS AND TRANSMISSION LEVERS	80
POWER TAKE OFF - STD	82
POWER TAKE OFF - 540/1000 R.P.M.	84
DIFFERENTIAL	86
DIFFERENTIAL LOCK	88
REAR AXLE HOUSING	90
BRAKE AND CONTROLS	92
HAND BRAKE	96
BRAKE PUMP	98
BRAKE CYLINDER	100
HYDRAULIQUE TRAILER BRAKING SYSTEM	102
RIM & TIRES	104
FRONT AXLE - 2 WHEEL DRIVE	108
STEERING HYDRAULIC EQUIPMENT	110
STEERING CONTROL VALVE - 2 WHEEL DRIVE	114
STEERING CONTROL VALVE - 4 WHEEL DRIVE	116
STEERING PUMP	118
STEERING CYLINDER - 2 WHEEL DRIVE	120
STEERING CYLINDER - 4 WHEEL DRIVE	122
STEERING CYLINDER - 4 WHEEL DRIVE	123A
HYDRAULIC LIFT PIPINGS	124
OIL PUMP - HYDRAULIC LIFT	126
HYDRAULIC CONTROL VALVE - HYDRAULIC LIFT	128
HYDRAULIC LIFT	130
LIFT CONTROL	134
PIPINGS AUXILIARY CONTROL VALVES	138
ADDITIONAL POWER OUTLET UNIT	140
AUXILIARY HYDRAULIC VALVES - STD	142
AUXILIARY HYDRAULIC VALVES - FLOATING	144
VALVE - HYDRAULICS EQUIPMENT	146
LINKAGE	148

TABLE OF CONTENT

00

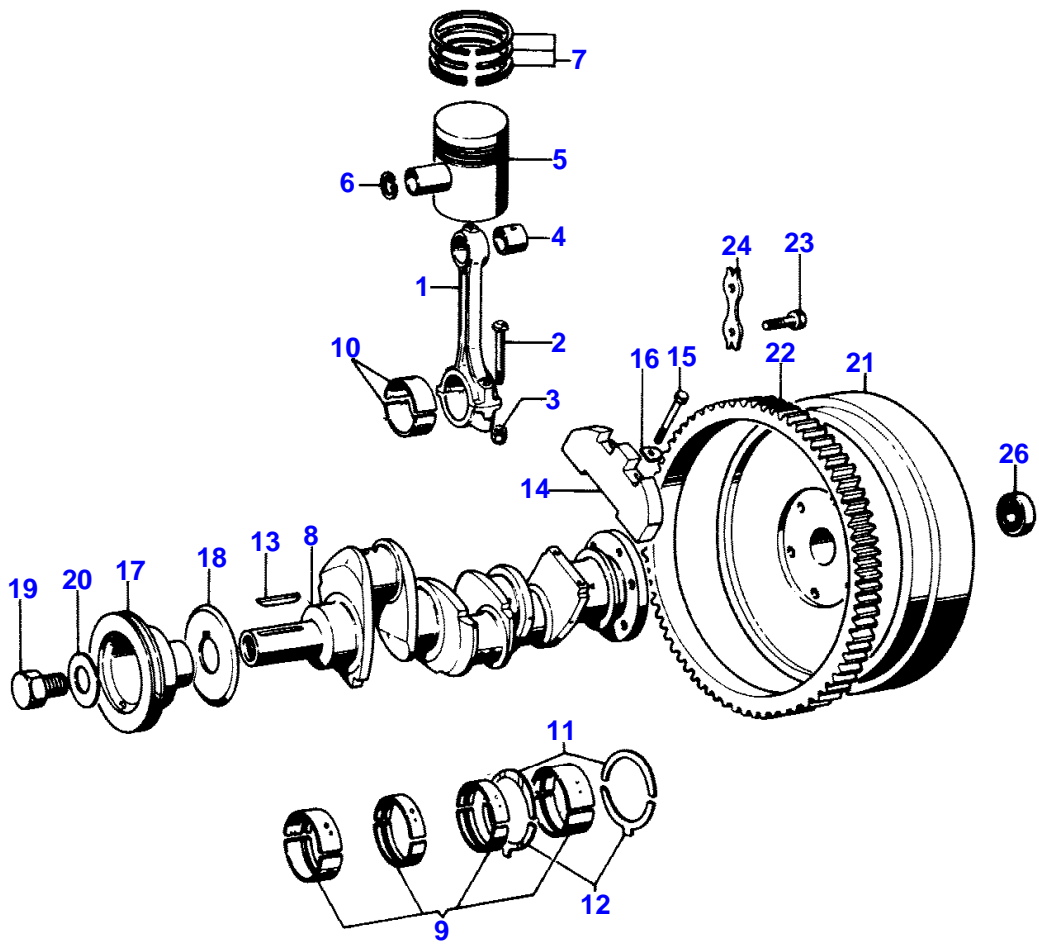
REAR HOOK	152
REAR HOOK	154
DRAWBAR	156
HOOD BRACKET AND INSTRUMENT PANEL	158
ENGINE HOOD	160
HARDNOSE AND GRILLES	162
MOUNTING FRAME AND FRONT WEIGHTS	164
FRONT FENDERS	166
FENDERS AND PLATFORM	168
SEAT	171A
SEAT	172
SAFETY FRAME	174
DECALS AND EMBLEMS	178
DECALS AND EMBLEMS	182
TRANSFER GEAR BOX - 4 WHEEL DRIVE	186
FRONT AXLE - HOUSING - DIFFERENTIAL	188
FRONT AXLE - FINAL DRIVE	192
TOOL GROUP	194



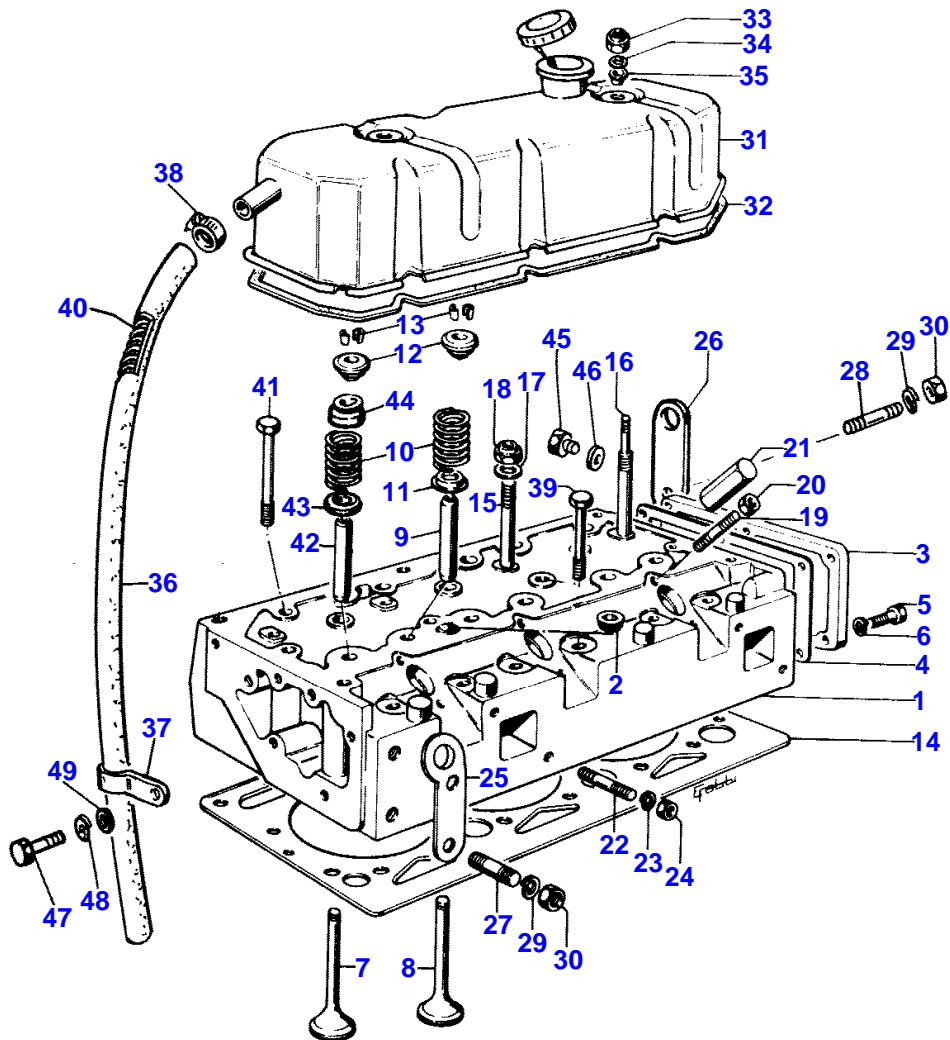
CYLINDER BLOCK - T3.152.4

Item	Part Number	Qty	Description	Comments
				T3.152.4
1	41423506	1	Cylinder Block	
2	33137408	8	Thimble	1
3	32181441	1	Screw	1
	32181442	2	Screw	1
4	2415608	2	O Ring	
5	0650563	4	Plug	1
6	0650664	1	Plug	1
7	0650710	1	Plug	1
8	31358345	3	Liner	(B)
	31358323	3	Liner	(A)
9	33141124	1	Plug	1
10	32417115	2	Plug	1
11	32161357	1	Plug	
12	33157143	2	Plug	
13	0350005	1	Dowel	
14	0350016	2	Dowel	
17	32524132	2	Stud	
18	33221329	2	Nut	
19	0650566	2	Plug	
20	32114471	3	Plug	
21	33157142	2	Plug	
22	0826285	1	Stud	
23	0920053	3	Washer	
24	0576002	3	Nut	
26	33266125	1	Spacer	
27	33121417	X	Shim	Thickness 0,9MM.
	33121416	X	Shim	Thickness 0,25MM.
	0760050	X	Shim	Thickness 0,13MM.
	33121415	X	Shim	Thickness 0,05MM.
29	37416753	1	Plate	
	37416753	1	Plate	
30	36862511	1	Joint	
31	0826201	1	Stud	
32	0920053	3	Washer	
33	0576002	1	Nut	
37	2418F475	1	Seal	38
38	4142V002	1	Housing	
39	33826111	1	Joint	
40	0350015	2	Dowel	
41	0746255	11	Setscrew	
42	0920053	11	Washer	
43	37147974	1	Plate	
44	0720798	2	Screw	
45	0746454	6	Setscrew	
46	0920054	6	Washer	
47	37813113	1	Plug	
48	0610045	1	Pin	
49	32524148	3	Stud	
50	33221329	3	Nut	
51	38156311	1	Bracket	
52	36113131	1	Spacer	
53	0097109	1	Bolt	
54	0920058	1	Washer	
55	0920056	2	Washer	
56	0826833	2	Stud	
57	0576005	2	Nut	
58	1423895M91	1	Switch	
59	0826265	2	Stud	
60	2485A204	1	Plug	

(A)  
PRESS FIT  
(B)  
SLIP FIT



Item	Part Number	Qty	Description	Comments
				T3.152.4
1	M7BJ0014	3	Kit, Conrod	
2	0095250	6	Bolt	1
3	33221327	6	Nut	1
4	31134151	3	Bush	1
5	U5LU0014	3	Kit, Piston	
6	0170001	2	Circlip	5
7	41158144	1	Kit, Piston Ring	
8	U5BG0021	1	Kit, Crankshaft	
9	68084	X	Kit, Bearing	(A) 8
9	68084A	X	Kit, Bearing	(A) Thickness -0,254 MM.
9	68084B	X	Kit, Bearing	(A) Thickness -0,508 MM.
9	68084C	X	Kit, Bearing	(A) Thickness -0,762 MM.
10	85036	X	Kit, Bearing	(A) 8
10	85036A	X	Kit, Bearing	(A) Thickness -0,254 MM.
10	85036B	X	Kit, Bearing	(A) Thickness -0,508 MM.
10	85036C	X	Kit, Bearing	(A) Thickness -0,762 MM.
11	31137211	2	Thrust Washer	8
	31137212	X	Washer	Thickness +0,178 MM.
12	31137221	2	Thrust Washer	8
	31137222	X	Washer	Thickness +0,178 MM.
13	36271704	1	Woodruff Key	
14	31328241	2	Weight	
15	2185189	4	Screw	
16	31731516	2	Washer	Left Hand
	31731515	2	Washer	Right Hand
17	31147788	2	Pulley	
18	33176137	1	Washer	
19	32162312	1	Screw	
20	33125112	1	Washer	
21	1825512M1	1	Flywheel	
22	0410236	1	Starter Ring	
23	973013M1	6	Bolt	
24	0921062	3	Tab Washer	
26	339599X1	1	Bearing Ball	(A) BEARINGS ARE SEMIFINISHED

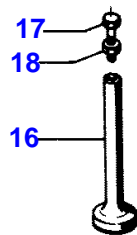
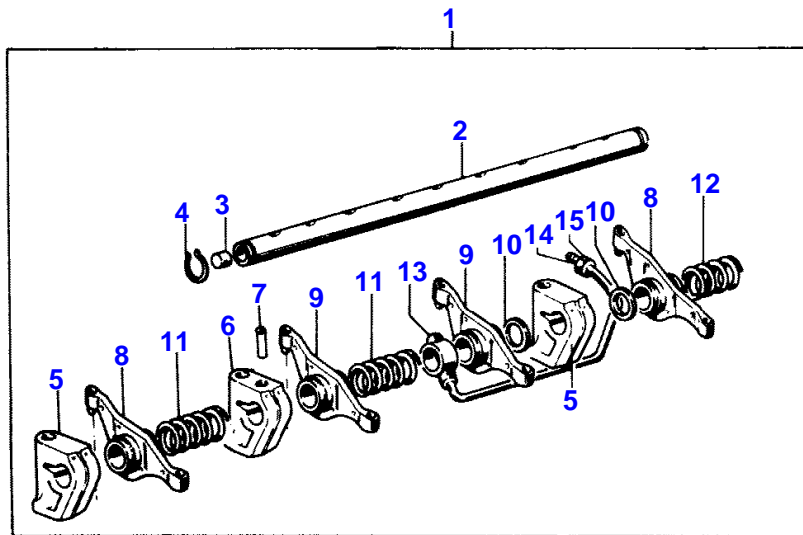


CYLINDER HEAD AND COVER - T3.152.4

Item	Part Number	Qty	Description	Comments
				T3.152.4
1	U5BD0003	1	Cylinder Head	
2	2431154	1	Plug	
3	3612M002	1	Plate	1
4	0490485	1	Joint	1
5	0746254	6	Setscrew	1
6	0920053	6	Washer	1
7	31431981	3	Valve Inlet	1
8	31431011	3	Valve Exhaust	1
9	33261723	3	Guide	1
10	0780006	6	Spring	1
11	33415133	3	Washer	1
12	33423148	6	Cap	1
13	0230001	12	Cotter	(A) 1
14	3681E006	1	Head Gasket	
15	2214209	2	Stud	
16	32754435	2	Stud	
17	0920004	4	Washer	
18	2211283	4	Nut	
19	2216105	6	Stud	
20	0576002	3	Nut	
21	32726512	3	Nut	
22		4	Stud	See Page - Reference Number 49
23		4	Washer	See Page - Reference Number 49
24		4	Nut	See Page - Reference Number 49
25	3624V004	1	Plate	
26	36531408	1	Plate	
27	0826462	2	Stud	
28	0826466	2	Stud	
29	0920054	4	Washer	
30	0576051	4	Nut	
31	37188197	1	Cyl.Head Cover	
32	36811115	1	Joint	
33	0576102	2	Nut	
34	0920003	2	Washer	
35	0920302	2	Washer	
36	33872531	1	Pipe	
37	36561129	2	Clip	
39	32181457	4	Screw	
40	31754118	1	Spring	
41	32181458	9	Screw	
42	33261727	3	Guide	1
43	33177518	3	Washer	1
44	2415258	3	Seal	1
45	0746451	2	Screw	
46	0920155	2	Washer	
47	0748354	1	Screw	
48	0920052	1	Washer	
49	0920002	1	Washer	

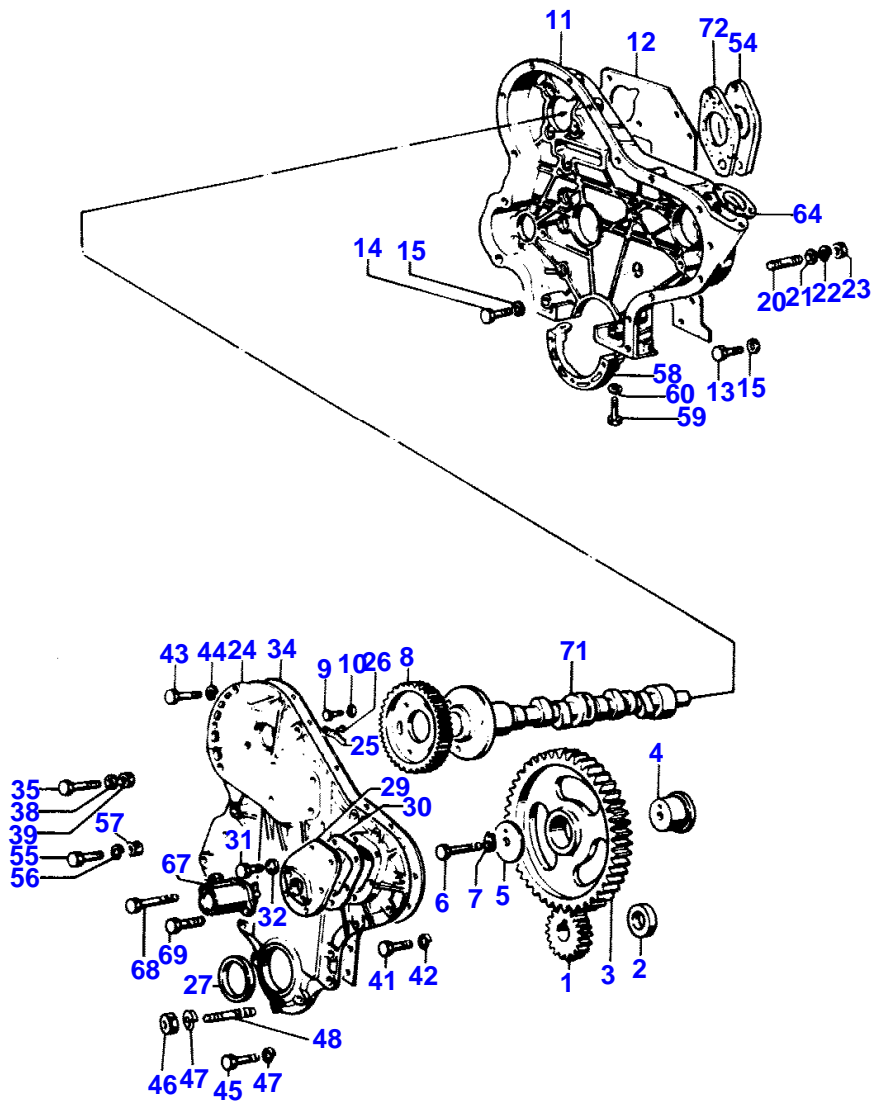
(A)  
SERVICED IN PAIR





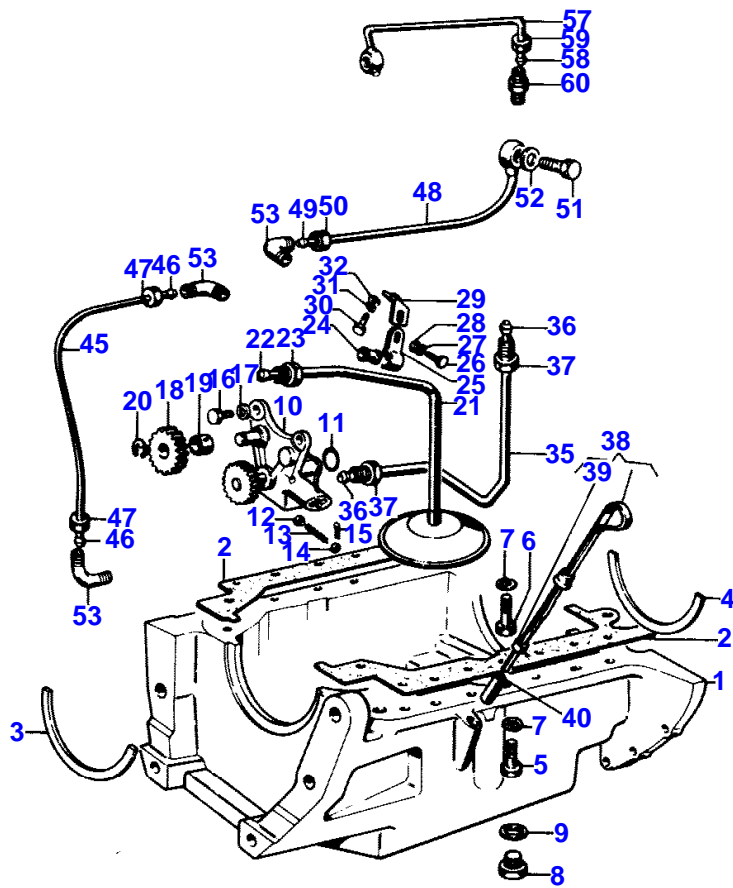
ROCKER ARM - T3.152.4

Item	Part Number	Qty	Description	Comments
				T3.152.4
1	41151306	1	Rocker Shaft Ass	
2	U7LR0002	1	Rocker Shaft	1
3	0650507	2	Plug	2
4	0170033	2	Circlip	1
5	0101138	3	Bracket	1
6	37521212	1	Bracket	1
7	2112A066	1	Pin	1
8	3737A031	3	Lever	Left Hand 1
9	3737A041	3	Lever	Right Hand 1
10	0330505	4	Spacer	1
11	0780005	1	Spring	1
12	0780175	1	Spring	1
13	35568352	1	Pipe	1
14	0566002	1	Olive	13
15	0576111	1	Nut	13
16	0860012	6	Tappet	
17	0720677	6	Screw	
18	0576052	6	Nut	



TIMING GEAR - T3.152.4

Item	Part Number	Qty	Description	Comments
				T3.152.4
1	0410132	1	Gear	Number of teeth/spines 25
2	0330811	1	Spacer	
3	31164362	1	Gear	Number of teeth/spines 90
4	0995447	1	Hub	
5	0940738	1	Plate	
6	0095199	1	Screw	
7	0920883	1	Washer	
8	0410241	1	Gear	Number of teeth/spines 50
9	0746214	3	Screw	
4	0920053	3	Washer	
11	37161481	1	Housing	
12	36814119	1	Joint	
13	0746355	12	Screw	
14	0096234	2	Bolt	
15	0920053	14	Washer	
20	0827619	3	Stud	
21	0920003	3	Washer	
22	0920053	3	Washer	
23	0576002	3	Nut	
24	A5FH0245	1	Kit, Front Cover	
25	3661P002	1	Spring	24
26	2126151	1	Rivet	24
27	2415344	1	Seal	
29	37523171	1	Cover	24
30	36862512	1	Joint	24
31	0748353	6	Screw	
32	2411151	6	Washer	
34	36813136	1	Joint	
35	0096213	2	Bolt	
38	0920053	2	Washer	
39	0576002	2	Nut	
41	0748353	8	Screw	
42	0920052	8	Washer	
43	0748414	2	Setscrew	
44	0920053	2	Washer	
45	0748405	3	Screw	
46	0576002	1	Nut	
47	0920053	3	Washer	
48	0827619	1	Stud	
54	37461104	1	Plate	
55	0748510	2	Bolt	
56	0920054	2	Washer	
57	2238153	2	Nut	
58	37354312	1	Cover	
59	0096232	2	Bolt	
60	0920053	2	Washer	
64		1	Gasket	See Page - Reference Number 45
67	2758346	1	Angle Drive	
68	0748353	1	Screw	
69	0748357	1	Screw	
71	31415264	1	Camshaft	
72	36835413	1	Joint	



MASSEY FERGUSON

MF 164 T S TRACTOR - 3310912

3310912

LUBRICATING OIL SYSTEM - T3.152.4

14

Item	Part Number	Qty	Description	Comments
				T3.152.4
1	37172402	1	Sump	
2	41424209	1	Joint	
3	0490019	1	Joint	
4	36884112	1	Joint	
5	0746211	11	Bolt	
6	0096245	2	Bolt	
7	0920053	13	Washer	
8	32186404	1	Plug	
9	2411287	1	Washer	
10	41314078	1	Oil Pump	
11	2415811	1	O Ring	10
12	32712715	1	Plunger	10
13	31742128	1	Spring	10
14	33157122	1	Cap	10
15	0610012	1	Pin	10
16	0746355	3	Screw	
17	0920053	3	Washer	
18	41115025	1	Gear	Number of teeth/spines 21
19	0050265	1	Bush	18
20	0180831	1	Clip	
21	35137611	1	Pipe	
22	0560244	1	Olive	
23	33532121	1	Union	
24	33817308	1	Bush	
25	36631118	1	Clip	
26	0746053	1	Bolt	
27	0920052	1	Washer	
28	0920002	1	Washer	
29	38121531	1	Bracket	
30	0746052	1	Bolt	
31	0920052	1	Washer	
32	0920002	1	Washer	
35	34711129	1	Pipe	
36	0560244	2	Olive	
37	33532121	2	Union	
38	31786412	1	Dipstick	
39	0920022	1	Washer	38
40	33242407	1	Tube	
45	35352404	1	Pipe	
46	0566002	2	Olive	45
47	0576111	2	Nut	45
48	35568319	1	Pipe	
49	0566002	1	Olive	48
50	0576111	1	Nut	48
51	0095350	1	Bolt	
52	0920126	2	Washer	
53	0201047	3	Connection	
57	35568352	1	Pipe	
58	0566002	1	Olive	57
59	0576111	1	Nut	57
60	0206002	1	Union	

**Buy Now**



Our support email:

[ebooklibonline@outlook.com](mailto:ebooklibonline@outlook.com)