

Page Title	Page Number
ENGINE - A4.248 ENGINE	1
CYLINDER BLOCK - A4.248 ENGINE	2
CRANKSHAFT, PISTONS AND CONNECTING RODS - A4.248 ENGINE	3
CYLINDER HEAD - A4.248 ENGINE	4
ROCKER SHAFT - A4.248 ENGINE	5
TIMING GEAR AND CAMSHAFT - A4.248 ENGINE	6
BALANCER UNIT - A4.248 ENGINE	7
FUEL INJECTION EQUIPMENT (DIESEL) - A4.248 ENGINE	8
LUBRICATING OIL SUMP - A4.248 ENGINE	9
LUBRICATING OIL FILTER AND INTEGRAL COOLER - A4.248 ENGINE	10
WATER PUMP, THERMOSTAT AND HEAT EXCHANGER - A4.248 ENGINE	11
LOW PRESSURE FUEL SYSTEM - A4.248 ENGINE	12
AIR INDUCTION AND EXHAUST SYSTEM - A4.248 ENGINE	13
ALTERNATOR POSITIONER - A4.248 ENGINE	14
JOINTS AND GASKETS - A4.248 ENGINE	15
ALTERNATOR-LUCAS	16
ALTERNATOR - VALEO TYPE	17
STARTER-LUCAS - UP TO SERIAL NUMBER- R37033.	18
STARTER MOTOR - FROM SERIAL NO R37034.	19
STARTER MOTOR - FROM SERIAL NO R37034.	20
COOLING SYSTEM-ENGINE - FAN AND HOSES	21
COOLING SYSTEM - RADIATOR AND BRACKET	22
FUEL SYSTEM-FUEL FILTER	23
FUEL SYSTEM-FUEL FILTER	24
FUEL SYSTEM-FUEL TANK AND ATTACHMENTS	25
AIR FILTER-OIL BATH AIR FILTER	26
EXHAUST SYSTEM-VERTICAL	27
THROTTLE CONTROLS	28
THROTTLE CONTROLS	29
ELECTRONIC HARNESS-INSTRUMENT PANEL	30
ELECTRICAL WIRING - FRONT	31
BATTERY	32
INSTRUMENT PANEL AND INSTRUMENTS	33
INSTRUMENT PANEL AND INSTRUMENTS	34
CLUTCH-DUAL CLUTCH - O.M.G. - 11	35
CLUTCH-DUAL CLUTCH - LUK - 11	36
CLUTCH-DUAL CLUTCH - O.M.G. - 12	37
CLUTCH-DUAL CLUTCH - LUK - 12	38
CLUTCH-DUAL CLUTCH - VALEO- - 12	39
CLUTCH PEDAL AND LINKAGE	40
CENTRE AXLE HOUSING AND TRANSMISSION HOUSING	41
TRANSFER GEAR BOX	42
12 SPEED TRANSMISSION	43
12 SPEED TRANSMISSION	44
SHIFT LEVERS-12 SPEED TRANSMISSION	45
SHIFT LEVERS-12 SPEED TRANSMISSION	46
REDUCER - FOR SHUTTLE VERSION ONLY.	47
REDUCER CONTROL - FOR SHUTTLE VERSION ONLY.	48
REDUCER - OVERDRIVE AND SHUTTLE VERSION	49
REDUCER CONTROL - OVERDRIVE AND SHUTTLE VERSION	50
REDUCER - OVERDRIVE AND UNDERDRIVE VERSION	51
REDUCER CONTROL - OVERDRIVE AND UNDERDRIVE VERSION	52
REDUCER - UNDERDRIVE AND SHUTTLE VERSION	53
REDUCER CONTROL - UNDERDRIVE AND SHUTTLE VERSION	54
REDUCER - SHUTTLE AND CREEPER VERSION	55
REDUCER CONTROL - SHUTTLE AND CREEPER VERSION	56
REDUCER - OVERDRIVE AND CREEPER VERSION	57
REDUCER CONTROL - OVERDRIVE AND CREEPER VERSION	58
REDUCER - UNDERDRIVE E CREEPER VERSION	59
REDUCER CONTROL - UNDERDRIVE E CREEPER VERSION	60
PTO SHAFT - STANDARD	61
PTO SHAFT - 540/750/1000 R.P.M.	62
PTO SHAFT - STANDARD	63
PTO SHAFT - 540/750/1000 R.P.M.	64
TRANSFER GEAR BOX-4 WHEEL DRIVE - CONTROL SHAFT	65
REAR AXLE-DIFFERENTIAL	66

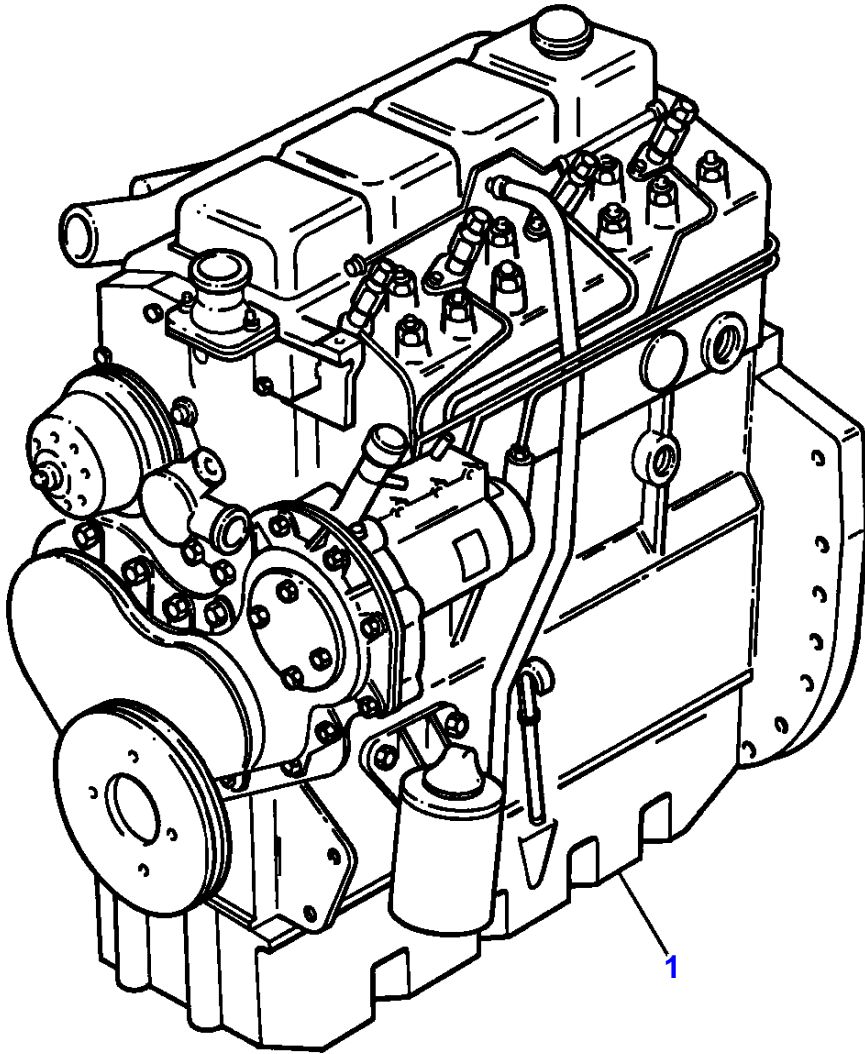
TABLE OF CONTENT

REAR AXLE-HOUSING	67
BRAKE AND CONTROLS - STANDARD	68
BRAKE AND CONTROLS - WITH BRAKES INDEPENDENTS	69
BRAKES-HANDBRAKE - WITH BRAKES INDEPENDENTS	70
BRAKES-HANDBRAKE - STANDARD	71
BRAKE AND CONTROLS	72
REAR AXLE-DIFFERENTIAL LOCK MECHANISM - HYDRAULIC CONTROL	73
REAR AXLE-DIFFERENTIAL LOCK MECHANISM - HYDRAULIC CONTROL	74
TRAILER BRAKES-PIPES AND FITTINGS	75
REAR WHEELS	76
FRONT WHEELS	77
FRONT AXLE 2 WHEEL DRIVE-AXLE SUPPORT	78
FRONT AXLE 4 WHEEL DRIVE-DIFFERENTIAL	79
FRONT AXLE 4 WHEEL DRIVE-DIFFERENTIAL - WITH HYDRAULIC BLOCKING	80
FRONT AXLE 4 WHEEL DRIVE-FINAL DRIVE	81
FRONT AXLE 4 WHEEL DRIVE-DIFFERENTIAL LOCK MECHANISM - WITH HYDRAULIC BLOCKING	82
FRONT AXLE 4 WHEEL DRIVE-FINAL DRIVE - WITH- FRONT BRAKING	83
STEERING HYDRAULIC LINES	84
STEERING ORBITROL UNIT - 2 WHEEL DRIVE	85
STEERING ORBITROL UNIT - 4 WHEELS DRIVE	86
STEERING-STEERING PUMP - UP TO SERIAL NUMBER- R31000	87
STEERING-STEERING PUMP - FROM SERIAL NO- R31001.	88
STEERING CYLINDER-2 WHEEL DRIVE	89
STEERING CYLINDER-4 WHEEL DRIVE	90
HYDRAULIC LIFT PIPINGS - UP TO SERIAL NUMBER- P06076.	91
HYDRAULIC LIFT PIPINGS - FROM SERIAL NO- P06077.	92
HYDRAULIC PUMP - UP TO SERIAL NUMBER- P06076.	93
HYDRAULIC PUMP - FROM SERIAL NO- P06077.	94
HYDRAULIC PUMP - FROM SERIAL NO- P06077.	95
HYDRAULIC PUMP - FROM SERIAL NO- P06077.	96
HYDRAULIC PUMP - FROM SERIAL NO- P06077.	97
HYDRAULIC LIFT VALVE	98
HYDRAULIC LIFT-LIFT ARMS	99
REAR CONTROLS-DRAFT AND POSITION	100
REAR CONTROLS-DRAFT AND POSITION	101
HYDRAULIC LIFT-EXTERNAL POSITION CONTROL	102
HYDRAULIC LIFT CYLINDER LINES - AUXILIARY	103
STABILISER-TELESCOPIC	104
HYDRAULIC LIFT CYLINDER - AUXILIARY	105
AUXILIARY HYDRAULIC VALVE LINES - TILL TYPE	106
AUXILIARY HYDRAULIC VALVE LINES - TILL TYPE	107
AUXILIARY HYDRAULIC VALVE LINES	108
AUXILIARY HYDRAULIC VALVE LINES	109
AUXILIARY HYDRAULIC VALVE LINES - ADDITIONAL POWER OUTLET UNIT	110
AUXILIARY HYDRAULICS VALVE - STANDARD	111
AUXILIARY HYDRAULICS VALVE - FLOATING	112
AUXILIARY HYDRAULICS VALVE - STANDARD	113
AUXILIARY HYDRAULICS VALVE - FLOATING	114
CONTROL VALVE-VALVE	115
LINKAGE CAT 2 - STANDARD	116
LINKAGE CAT 2 - QUICK ATTACH	117
LINKAGE CAT 2 - DETAILS	118
SHEET METAL-HOOD	119
SHEET METAL-PANELS	120
DECALS	121
DECALS	122
DECALS	123
FENDERS - FRONT	124
SEAT-GRAMMER	125
TRACTOR CAB-FENDERS AND PLATFORM	126
TRACTOR CAB-FENDERS AND PLATFORM	127
TRACTOR CAB-FENDERS AND PLATFORM - FENDER EXTENSION	128
TRACTOR CAB-FRAME	129
TRACTOR CAB-FRAME	130
TRACTOR CAB-ROOF	131
TRACTOR CAB-DOORS	132
TRACTOR CAB-WINDOWS - WINDSCREEN	133
TRACTOR CAB-WINDOWS	134

TABLE OF CONTENT

TRACTOR CAB-WINDOWS - REAR	135
TRACTOR CAB-ELECTRICAL EQUIPMENT	136
TRACTOR CAB-WINDSCREEN WIPER	137
TRACTOR CAB-CAB INSULATION	138
TRACTOR CAB-HEATER	139
LIGHTING EQUIPMENT-REAR	140
LIGHTING EQUIPMENT-REAR	141
LIGHTING EQUIPMENT-REAR	142
LIGHTING EQUIPMENT	143
WEIGHT FRAME AND WEIGHTS	144
HITCH CONNECTIONS	145
REAR HOOK-ADJUSTABLE	146
REAR HOOK-ADJUSTABLE - WITH 7 POSITIONS	147
REAR HOOK-ADJUSTABLE - WITH 7 POSITIONS	148
REAR HOOK-ADJUSTABLE - WITH 7 POSITIONS	149
DRAWBAR	150
DRAWBAR - HEAVY DUTY	151
DRAWBAR - HEAVY DUTY	152
TOOL KIT	153

L-0011-27M-A



MASSEY FERGUSON

MF 393 S TRACTOR - 3311423

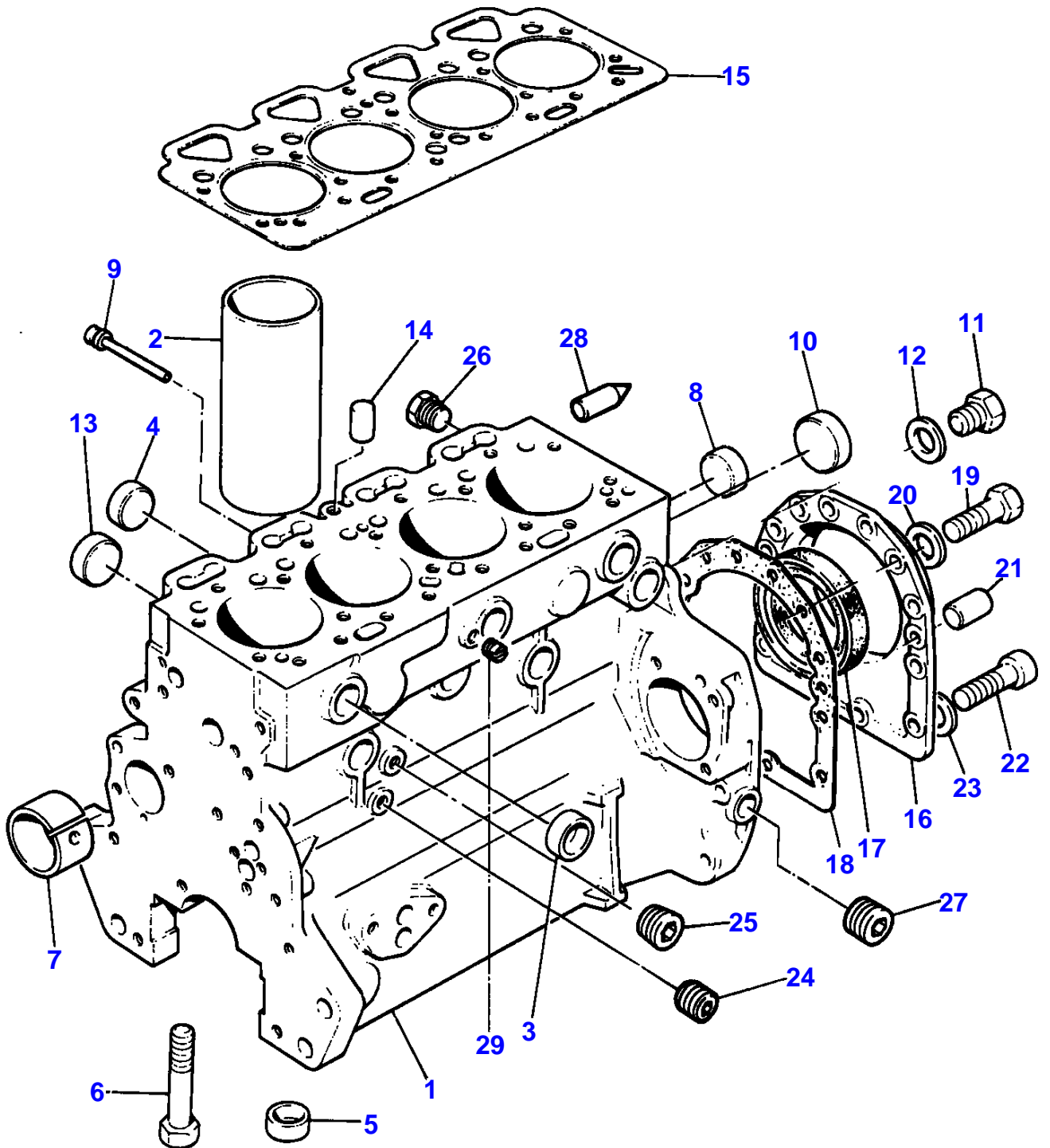
3311423

ENGINE - A4.248 ENGINE

1

Item	Part Number	Qty	Description	Comments
				A4.248 ENGINE
1	LF31204	X	Parts Book	(B)
	LF 39308	X	Short Engine	(B)
				(B)
				FOR MF 393S AND LANDINI 8870 TRACTORS ONLY

L-0560-28M-A

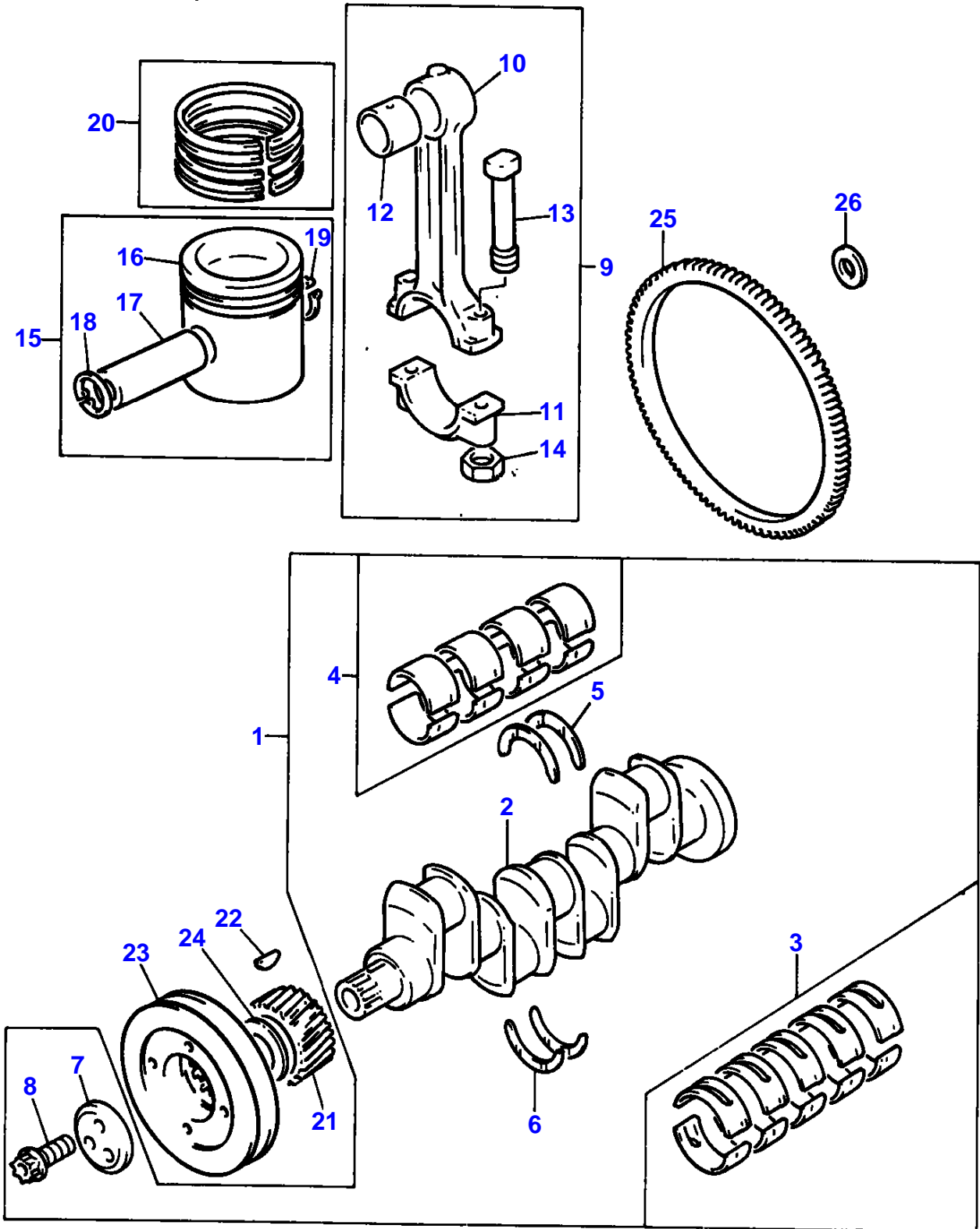


Item	Part Number	Qty	Description	Comments
				A4.248 ENGINE
1	ZZ 50162	1	Kit,Cyl.Block	Repairs and replaces ZZ50111
2	3135X033	4	Liner	(1)
				(A)
2	3135X034	X	Liner	(B)
3	0650710	6	Plug	(1)
				Repairs and replaces 0650563
4	32418122	4	Plug	(1)
5	33142111	10	Thimble	(1)
6	32166329	10	Bolt	(1)
7	31134164	1	Bush	(1)
				Repairs and replaces 31134163
				Repairs and replaces 31134132
8	0650710	2	Plug	(1)
				Repairs and replaces 0650563
9	2485A204	1	Plug	(1)
10	32416105	1	Plug	(1)
11	0650582	1	Plug	(1)
				Repairs and replaces 32168212
12	3311R003	1	Washer	(1)
				Repairs and replaces 0920130
13	0650577	4	Plug	(1)
14	32417134	1	Plug	(1)
15	3681E018	1	Head Gasket	Repairs and replaces 36812352
16	4142V064	1	Housing	Repairs and replaces 4142V061
17	2418F475	1	Seal	(16)
18	36817157	1	Joint	
19	0746211	10	Bolt	
20	0920003	10	Washer	
21	0350009	2	Dowel	
22	2172530	2	Capscrew	
23	33112111	2	Washer	
24	0650594	1	Plug	
25	0650588	2	Plug	
26	32161114	2	Plug	
27	0650588	1	Plug	
28	32452113	1	Pointer	
29	32114143	1	Plug	

(A)  
PRESS FIT

(B)  
SLIP FIT

L-0563-27M-A

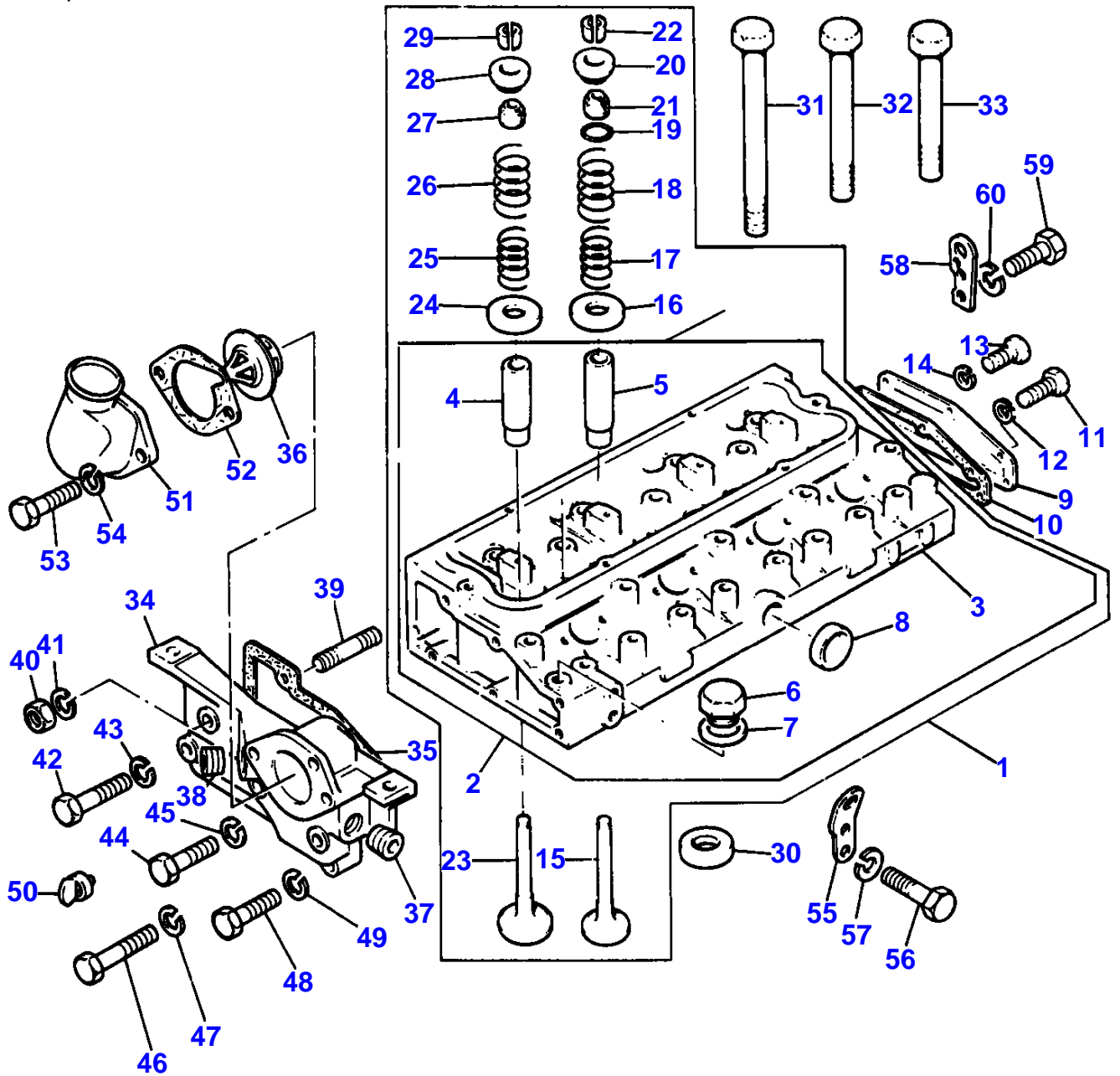




CRANKSHAFT, PISTONS AND CONNECTING RODS - A4.248 ENGINE

Item	Part Number	Qty	Description	Comments
				A4.248 ENGINE
1	ZZ 90081	1	Kit, Crankshaft	Repairs and replaces U5BG0024
2		1	Crankshaft	(1) Not serviced, order REF.1
3	81558	1	Kit, Bearing	(1) (A)
3	81558A	X	Kit, Bearing	(A) Thickness (-)0.25MM Thickness (-)0.010"
3	81558B	X	Kit, Bearing	(A) Thickness (-)0.50MM Thickness (-)0.020"
3	81558C	X	Kit, Bearing	(A) Thickness (-)0.75MM Thickness (-)0.030"
4	85042	1	Kit, Bearing	(1) (A)
4	85042A	X	Kit, Bearing	(A) Thickness (-)0.25MM Thickness (-)0.010"
4	85042B	X	Kit, Bearing	(A) Thickness (-)0.50MM Thickness (-)0.020"
4	85042C	X	Kit, Bearing	(A) Thickness (-)0.75MM Thickness (-)0.030"
5	31137551	2	Thrust Washer	(1)
	31137312	X	Thrust Washer	Thickness (+)0.19MM Thickness (+)0.0075"
6	31137561	2	Thrust Washer	(1)
	31137322	X	Thrust Washer	Thickness (+)0.19MM Thickness (+)0.0075"
7	3242T001	1	Thrust Block	(D)
8	32186139	3	Screw	(D)
9	ZZ 90009	4	Kit, Conrod	(9)
10		1	Conrod	(9) Not serviced, order REF.9
11		1	Cap	(9) Not serviced, order REF.9
12	31134123	1	Bush	(9)
13	32762144	2	Bolt	(9)
14	33221328	2	Nut	(9)
15	U5LU0005	4	Kit, Piston	(B)
	U5LP0009	4	Kit, Piston	(C)
16		1	Piston	(15) Not serviced, order REF.15
17		1	Pin	(15) Not serviced, order REF.15
18	0170002	1	Circlip	(15)
19	0170002	1	Circlip	(15)
20	41158022	4	Kit, Piston Ring	
21	31171681	1	Gear,Crankshaft	Number of teeth/spines 28
22	0500012	1	Woodruff Key	
23	31148797	1	Pulley,Crank	
24	33125416	1	Washer	
25	0410236	1	Starter Ring	Number of teeth/spines 115
26	33117127	6	Washer	Repairs and replaces 33117121
				(A) PRE-FINISHED
				(B) UNTOPPED
				(C) PRE-TOPPED
				(D) NOT SUPPLIED WITH ASSEMBLY

L-0566-31 M-B



Item	Part Number	Qty	Description	Comments
				A4.248 ENGINE
1	ZZ 80072	1	Kit, Cyl. Head	Repairs and replaces ZZ80062 Repairs and replaces ZZ80015 Repairs and replaces U5BD0001
2	ZZ 80157	1	Kit, Cyl. Head	(1) Repairs and replaces ZZ80061 Repairs and replaces ZZ80004
3		1	Cylinder Head	(2)  Not serviced, order REF.2
4	3343F002	4	Guide	(2)
5	3343J002	4	Guide	(2)
6	0650203	1	Plug	(2)
7	2411157	1	Washer	(2)
8	0650710	1	Plug	(2)
9	3623K007	1	Plate	
10	3685R004	1	Joint	
11	0746452	2	Setscrew	
12	0920054	2	Washer	
13	0746255	4	Setscrew	Repairs and replaces 0746254
14	0920053	4	Washer	
15	31431881	4	Valve Exhaust	(D)  Alternative 31431886
15	3142A052	4	Valve Exhaust	(1)  (C)
16	33415118	4	Washer	(1)
17	31744131	4	Spring	(1)
18	31745121	4	Spring	(1)
19	2415B201	4	O Ring	(1)
20	33817117	4	Seal	(1)
21	33423147	4	Cap	(1)
22	33173108	8	Cotter	(1) (A)
23	31431641	4	Valve Inlet	(1)
24	33415118	4	Washer	(1)
25	31744131	4	Spring	(1)
26	31745121	4	Spring	(1)
27	33817117	4	Seal	(1)
28	33423147	4	Cap	(1)
29	33173108	8	Cotter	(1) (A)
30	33152153	4	Insert	
31	32166337	2	Screw	
32	32166338	12	Bolt	
33	32166339	8	Screw	
34	37762705	1	Body	Repairs and replaces 37762706
35	36853514	1	Joint	
36	2485659	1	Thermostat	
37	2431154	1	Plug	
38	2431154	1	Plug	
39	2217202	1	Stud	
40	0576051	1	Nut	
41	0920054	1	Washer	
42	0096238	1	Bolt	
43	0920053	1	Washer	
44	0096439	1	Bolt	
45	0920054	1	Washer	
46	0746255	2	Setscrew	
47	0920053	2	Washer	
48	0096434	2	Bolt	
49	0920054	2	Washer	
50	2485791	1	Pin	
51		1	Connection	(B)
52	36862151	1	Joint	
53	0096433	2	Bolt	
54	0920054	2	Washer	
55	3648C004	1	Plate	

CYLINDER HEAD - A4.248 ENGINE

Item	Part Number	Qty	Description	Comments
56	0746453	2	Setscrew	
57	0920054	2	Washer	
58	36177111	1	Plate	
59	0746453	2	Setscrew	
60	0920054	2	Washer	

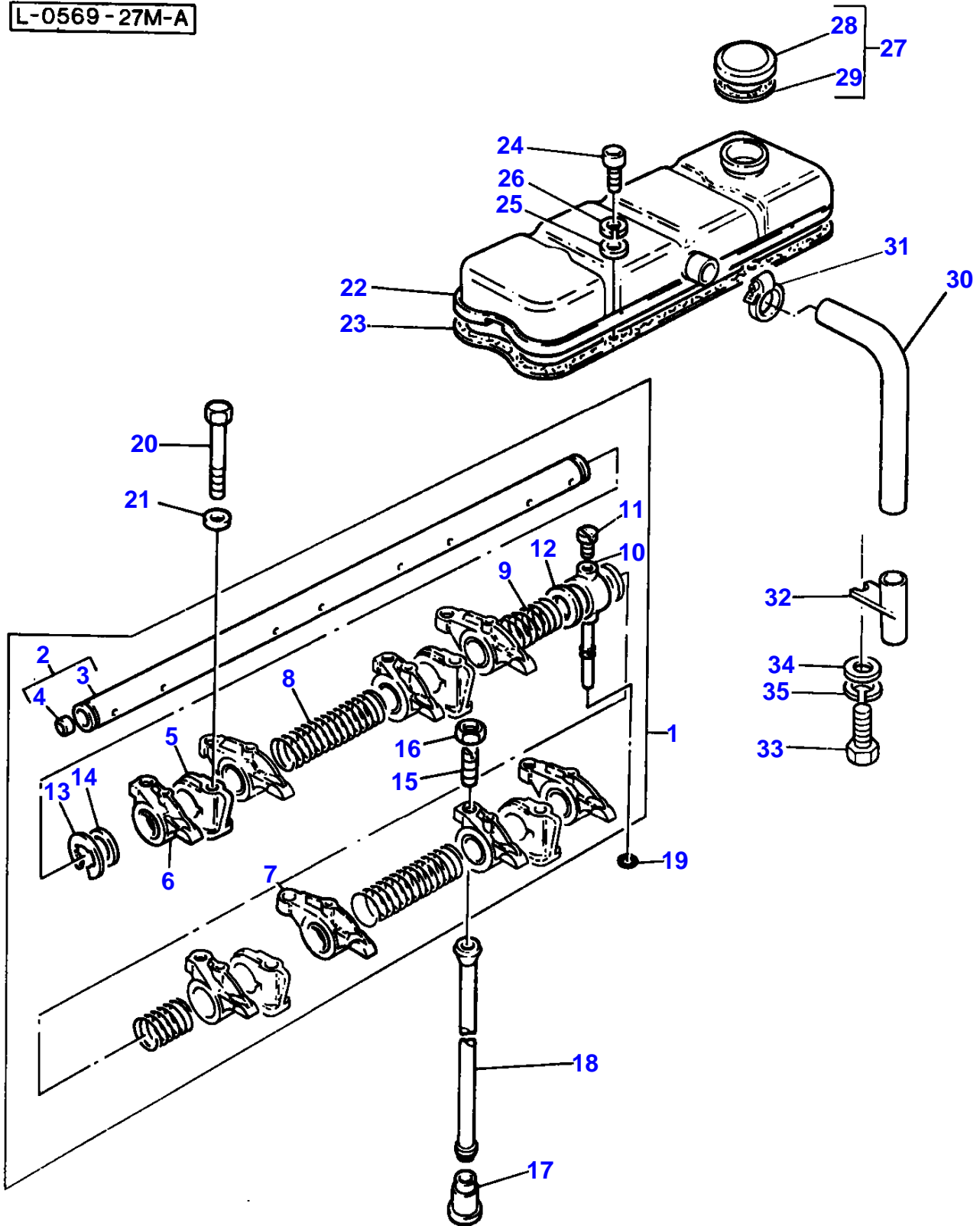
(A)  
SERVICED IN PAIRS

(B)  
NOT SUPPLIED BY PERKINS ENGINES LIMITED.

(C)  
REMOVE AND FIT 31431881

(D)  
FITTED IN PLACE OF EXHAUST VALVES SUPPLIED WITH CY LINDER HEAD ASSEMBLY

L-0569 - 27M-A



Item	Part Number	Qty	Description	Comments
A4.248 ENGINE				
1	ZZ 90007	1	Rocker Shaft Ass	Repairs and replaces ZZ90030
2	ZZ 90032	1	Rocker Shaft	(1)
3		1	Shaft	(2)
Not serviced, order REF.2				
4	0650507	2	Plug	(2)
5	3818X901	4	Bracket	(1)
Repairs and replaces 37521334				
Repairs and replaces 37521332				
6	37371281	4	Lever	(1)
Right Hand				
7	41151481	4	Rockerarm	(1)
Left Hand				
Repairs and replaces 37371271				
8	31744123	2	Spring	(1)
9	31743108	2	Spring	(1)
10	3775E012	1	Connection	(1)
(B)				
11	2231236	1	Setscrew	(1)
(C)				
11	2233022	1	Screw	(1)
(D)				
12	33117426	2	Shim	(1)
13	0170151	2	Circlip	(1)
14	33117434	2	Washer	(1)
15	0720579	8	Screw	(1)
16	0576052	8	Nut	(1)
17	31434163	8	Tappet	
18	31434307	8	Pushrod	
19	33811113	1	Olive	
20	0096634	4	Screw	
21	0920006	4	Washer	
22	37188141	1	Cyl.Head Cover	
23	3681A026	1	Joint	Repairs and replaces 36811132
24	2172513	4	Screw	
25	0920002	4	Washer	
26	0920052	4	Washer	
27	2487845	1	Cap	
28		1	Cap	(27)
Not serviced, order REF.27				
29	24870002	1	Joint	(27)
30	33872516	1	Pipe,Breather	
31	21825195	1	Clip	Repairs and replaces 0180063
32	35731144	1	Pipe,Breather	
33	0096215	1	Screw	Up to Serial or Engine Number U226708S
	2187333	1	Screw	From Serial or Engine Number U226709S
34	0920003	1	Washer	(A)
35	0920053	1	Washer	(A)
(A)				
FITTED UP TO ENGINE NUMBER U226708S				
(B)				
WAS 3775E011 USE 3775E012/2233022.				
(C)				
USED ONLY WITH 3775E011				
(D)				
USED ONLY WITH 3775E012				

**Buy Now**



Our support email:

[ebooklibonline@outlook.com](mailto:ebooklibonline@outlook.com)