

Page Title	Page Number
ENGINE - AD3.152 ENGINE	1
CYLINDER BLOCK - AD3.152 ENGINE	2
CRANKSHAFT, PISTONS AND CONNECTING RODS - AD3.152 ENGINE	3
CYLINDER HEAD - AD3.152 ENGINE	4
ROCKER SHAFT - AD3.152 ENGINE	5
AIR INDUCTION AND EXHAUST SYSTEM - AD3.152 ENGINE	6
TIMING GEAR AND CAMSHAFT - AD3.152 ENGINE	7
FUEL INJECTION EQUIPMENT (DIESEL) - AD3.152 ENGINE	8
LUBRICATING OIL SUMP - AD3.152 ENGINE	9
LUBRICATING OIL FILTER AND INTEGRAL COOLER - AD3.152 ENGINE	10
WATER PUMP, THERMOSTAT AND HEAT EXCHANGER - AD3.152 ENGINE	11
LOW PRESSURE FUEL SYSTEM - AD3.152 ENGINE	12
ALTERNATOR POSITIONER - AD3.152 ENGINE	13
JOINTS AND GASKETS - AD3.152 ENGINE	14
ALTERNATOR - VALEO TYPE	15
ALTERNATOR-LUCAS	16
STARTER MOTOR	17
STARTER MOTOR - MARELLI	18
COOLING SYSTEM-ENGINE - FAN AND HOSES	19
COOLING SYSTEM - RADIATOR AND BRACKET	20
FUEL SYSTEM-FUEL FILTER	21
FUEL SYSTEM-FUEL TANK AND ATTACHMENTS	22
AIR FILTER-DRY - DUAL ELEMENT - DRY AIR CLEANER	23
EXHAUST SYSTEM-VERTICAL	24
EXHAUST SYSTEM-HORIZONTAL	25
THROTTLE CONTROLS	26
ELECTRICAL WIRING	27
BATTERY	28
INSTRUMENT PANEL AND INSTRUMENTS	29
INSTRUMENT PANEL AND INSTRUMENTS	30
HEATER KIT-ENGINE	31
CLUTCH-DUAL CLUTCH - 11 UP TO SERIAL NO P 50186	32
CLUTCH-DUAL CLUTCH - O.M.G. - 11	33
CLUTCH-DUAL CLUTCH - 11 FROM SERIAL P 50187	34
CLUTCH PEDAL AND LINKAGE	35
CENTRE AXLE HOUSING AND TRANSMISSION HOUSING	36
12 SPEED TRANSMISSION - STANDARD VERSION	37
12 SPEED TRANSMISSION - STANDARD VERSION	38
SHIFT LEVERS-12 SPEED TRANSMISSION	39
SHIFT LEVERS-12 SPEED TRANSMISSION	40
REDUCER - OVERDRIVE AND SHUTTLE VERSION	41
REDUCER CONTROL - OVERDRIVE AND SHUTTLE VERSION	42
REDUCER - OVERDRIVE AND UNDERDRIVE VERSION	43
REDUCER CONTROL - OVERDRIVE AND UNDERDRIVE VERSION	44
REDUCER - UNDERDRIVE AND SHUTTLE VERSION	45
REDUCER CONTROL - UNDERDRIVE AND SHUTTLE VERSION	46
REDUCER - SHUTTLE AND CREEPER VERSION	47
REDUCER CONTROL - SHUTTLE AND CREEPER VERSION	48
REDUCER - OVERDRIVE AND CREEPER VERSION	49
REDUCER CONTROL - OVERDRIVE AND CREEPER VERSION	50
REDUCER - UNDERDRIVE E CREEPER VERSION	51
REDUCER CONTROL - UNDERDRIVE E CREEPER VERSION	52
PTO SHAFT - STANDARD	53
PTO-CONTROL - STANDARD	54
PTO SHAFT - 540/750/1000 R.P.M.	55
PTO-CONTROL - 540/750/1000 R.P.M.	56
TRANSFER GEAR BOX-4 WHEEL DRIVE	57
4 WHEEL DRIVE CONTROLS	58
REAR AXLE-DIFFERENTIAL	59
REAR AXLE-HOUSING	60
REAR AXLE-DIFFERENTIAL LOCK MECHANISM - MECHANICAL CONTROL	61
BRAKE AND CONTROLS	62
BRAKE AND CONTROLS	63
BRAKES-HANDBRAKE	64
BRAKE CYLINDER	65
BRAKES-MASTER CYLINDER	66

TABLE OF CONTENT

REAR WHEELS	67
FRONT AXLE 2 WHEEL DRIVE-AXLE SUPPORT	68
FRONT AXLE 4 WHEEL DRIVE-DIFFERENTIAL	69
FRONT AXLE 4 WHEEL DRIVE-DIFFERENTIAL	70
FRONT AXLE 4 WHEEL DRIVE-FINAL DRIVE	71
STEERING HYDRAULIC LINES	72
STEERING HYDRAULIC LINES	73
STEERING ORBITROL UNIT - 2 WHEEL DRIVE	74
STEERING ORBITROL UNIT - 4 WHEELS DRIVE	75
STEERING-STEERING PUMP - UP TO SERIAL NUMBER- R31000	76
STEERING-STEERING PUMP - FROM SERIAL NO- R31001.	77
STEERING CYLINDER-2 WHEEL DRIVE	78
STEERING CYLINDER-4 WHEEL DRIVE	79
FRONT WHEELS	80
HYDRAULIC LIFT PIPINGS - STANDARD VERSION	81
HYDRAULIC LIFT PIPINGS	82
HYDRAULIC LIFT PIPINGS - SINGLE HYDRAULIC LINES	83
HYDRAULIC PUMP - TUROLLA	84
HYDRAULIC PUMP - BOSCH	85
HYDRAULIC PUMP - CESSNA	86
HYDRAULIC LIFT VALVE	87
HYDRAULIC LIFT-LIFT ARMS	88
HYDRAULIC LIFT-LIFT ARMS	89
HYDRAULIC LIFT CYLINDER - AUXILIARY	90
REAR CONTROLS-DRAFT AND POSITION	91
REAR CONTROLS-DRAFT AND POSITION	92
AUXILIARY HYDRAULIC VALVE LINES - TILL TYPE	93
AUXILIARY HYDRAULIC VALVE LINES - TILL TYPE	94
AUXILIARY HYDRAULICS VALVE - STANDARD	95
AUXILIARY HYDRAULICS VALVE - FLOATING	96
ACCESSORIES HYDRAULIC - ADDITIONAL POWER OUTLET UNIT	97
HITCH-SUPPORTS AND GUARDS - CAT 1	98
HITCH-SUPPORTS AND GUARDS - CAT 1	99
LINKAGE CAT 2	100
LINKAGE-LINK END	101
SHEET METAL-GRILLE	102
SHEET METAL-HOOD	103
SHEET METAL-PANELS	104
DECALS	105
DECALS	106
DECALS	107
FENDERS AND PLATFORM	108
FENDERS - FRONT - 2WHEEL DRIVE	109
FENDERS - FRONT - 4 WHEELS DRIVE	110
SAFETY FRAME	111
SEAT-GRAMMER	112
SEAT-GRAMMER	113
TRACTOR CAB-FRAME	114
TRACTOR CAB-ROOF	115
TRACTOR CAB-CAB DOOR	116
TRACTOR CAB-WINDOWS - FRONT	117
TRACTOR CAB-WINDOWS - REAR	118
TRACTOR CAB-CAB INSULATION	119
TRACTOR CAB-CAB INSULATION	120
TRACTOR CAB-ELECTRICAL EQUIPMENT	121
TRACTOR CAB-CAB INSULATION	122
LIGHTING EQUIPMENT	123
LIGHTING EQUIPMENT	124
ELECTRONIC HARNESS-INSTRUMENT PANEL	125
SENSORS HARNESS	126
LIGHTING EQUIPMENT-REAR	127
ELECTRICAL WIRING-TRACTOR CAB	128
WEIGHT FRAME AND WEIGHTS	129
HITCH CONNECTIONS	130
REAR HOOK-ADJUSTABLE	131
REAR HOOK-ADJUSTABLE - STANDARD	132
DRAWBAR	133
DRAWBAR	134

TABLE OF CONTENT

00

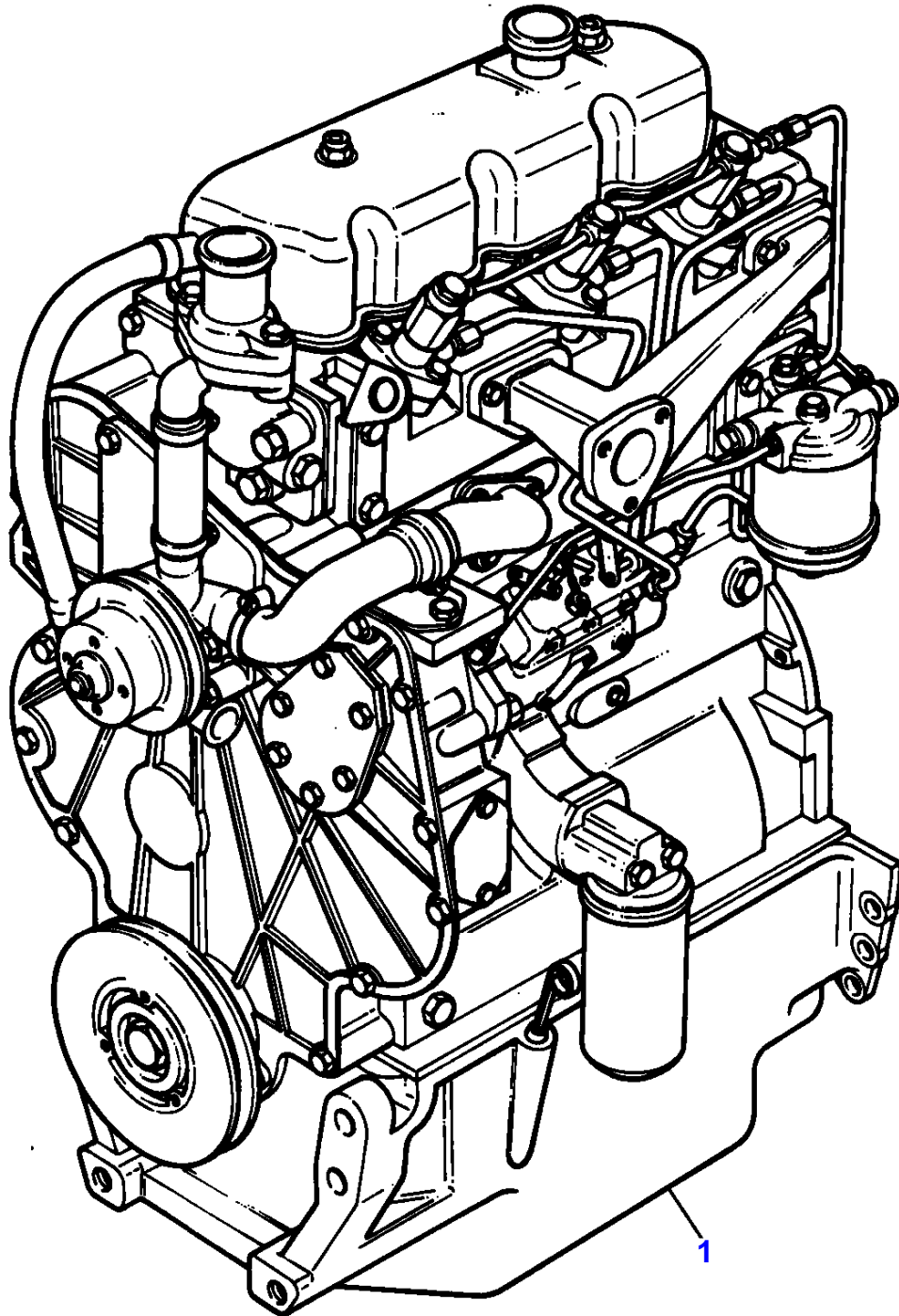
TRAILER BRAKES-PIPES AND FITTINGS

135

TOOL KIT

136

C-0011-15M-A



MASSEY FERGUSON

MF 354 S TRACTOR - 3311545

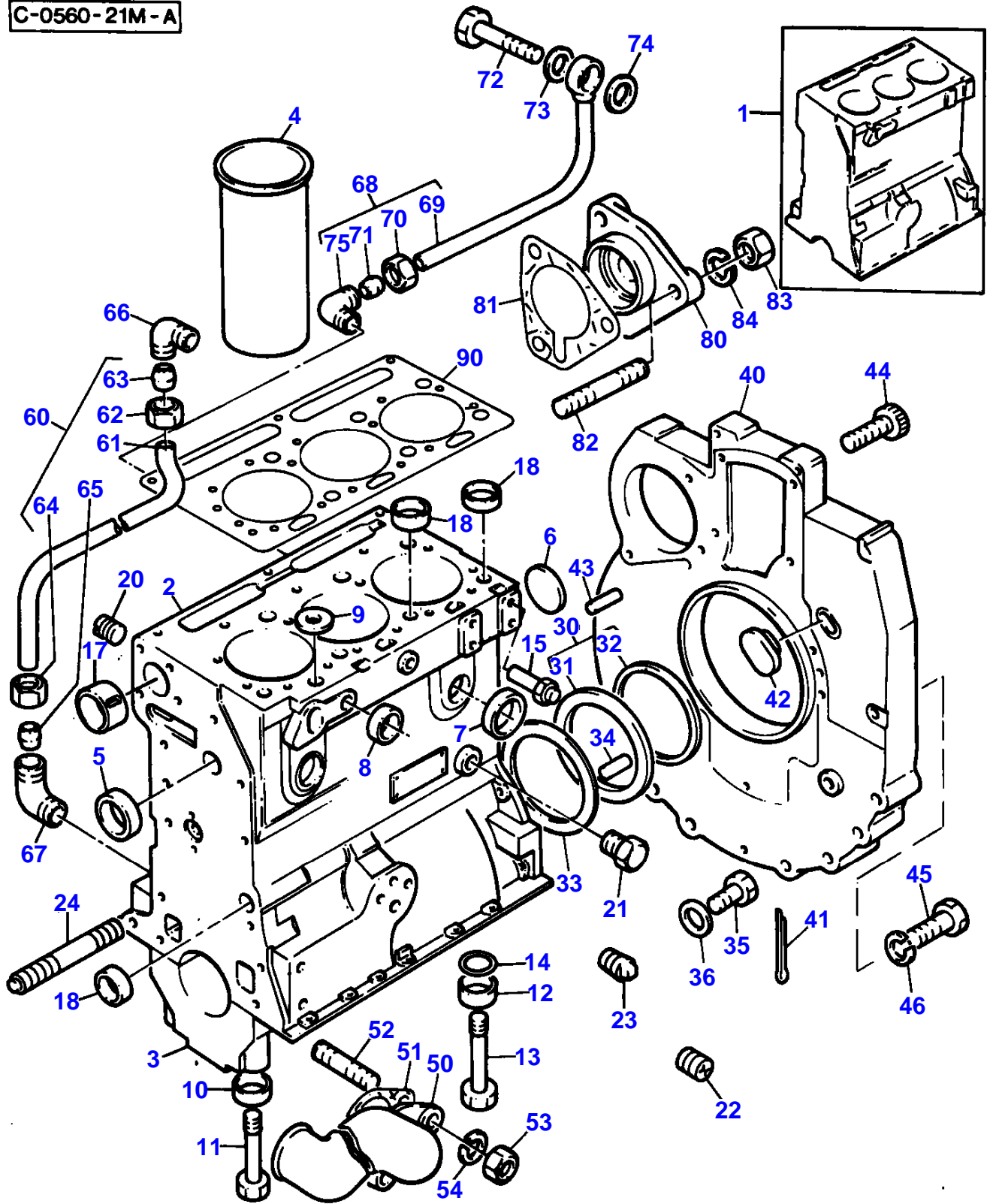
3311545

ENGINE - AD3.152 ENGINE

1

Item	Part Number	Qty	Description	Comments
				AD3.152 ENGINE
1	CE31197	X	Parts Book	(A,B)
	CE31212	X	Parts Book	(A,B)
				(A) FOR MF 354F/354S AND LANDINI 5560F/5560L TRACTORS ONLY
				(B) SHORT ENGINE CE39106

C-0560-21M-A



MASSEY FERGUSON

MF 354 S TRACTOR - 3311545

3311545

CYLINDER BLOCK - AD3.152 ENGINE

2

Item	Part Number	Qty	Description	Comments
				AD3.152 ENGINE
1	ZZ 50172	1	Kit,Cyl.Block	
2		1	Cylinder Block	(1)
3		4	Bearing Cap	Not serviced, order REF.1 (1)
4	31358323	3	Liner	Not serviced, order REF.1 (1)
4	31358345	X	Liner	(A) (B)
	31358357	X	Liner	(B) Thickness (+) 0.76MM Thickness (+) 0.030"
5	0650710	1	Plug	(1)
6	0650692	1	Plug	(1)
7	0650710	4	Plug	(1)
8	32417163	2	Plug	(1)
9	33141124	1	Plug	(1)
10	33137408	6	Thimble	(1)
11	32181441	6	Screw	(1)
12	33137408	2	Thimble	(1)
13	32181442	2	Screw	(1)
14	2415608	2	O Ring	(1)
15	2485A204	1	Plug	(1)
16	0650566	2	Plug	(1)
17	31134128	1	Bush	(1)
18	33157142	2	Plug	(1)
19	33157143	2	Plug	(1)
20	32114143	1	Plug	(1)
21	32161114	1	Plug	(1)
22	32114472	3	Plug	(1)
23	2431131	1	Plug	(1) (C)
23	0650594	1	Plug	(D)
24	32537404	1	Stud	
30	4142V002	1	Housing	
31		1	Housing	(30) Not serviced, order REF.30
32	2418F475	1	Seal	(30)
33	33826111	1	Joint	
34	0350015	2	Dowel	
35	0746255	9	Setscrew	
36	0920003	9	Washer	
40	37147975	1	Plate	
41	0610045	1	Pin	
42	37813113	1	Plug	
43	0350016	2	Dowel	
44	0720798	2	Screw	
45	0746454	6	Setscrew	
46	0920054	6	Washer	
50	37736242	1	Connection	
51	0490486	1	Joint	
52	2217072	2	Stud	
53	0576002	2	Nut	
54	0920053	2	Washer	
60	35352404	1	Pipe,Oil	
61		1	Pipe	(60) Not serviced, order REF.60
62	0576111	1	Nut	(60)
63	0566002	1	Olive	(60)
64	0576111	1	Nut	(60)
65	0566002	1	Olive	(60)
66	0201047	1	Connection	
67	0201047	1	Connection	
68	35568109	1	Pipe,Oil	
69		1	Pipe	(68) Not serviced, order REF.68
70	0576111	1	Nut	(68)
71	0566002	1	Olive	(68)

MASSEY FERGUSON

MF 354 S TRACTOR - 3311545

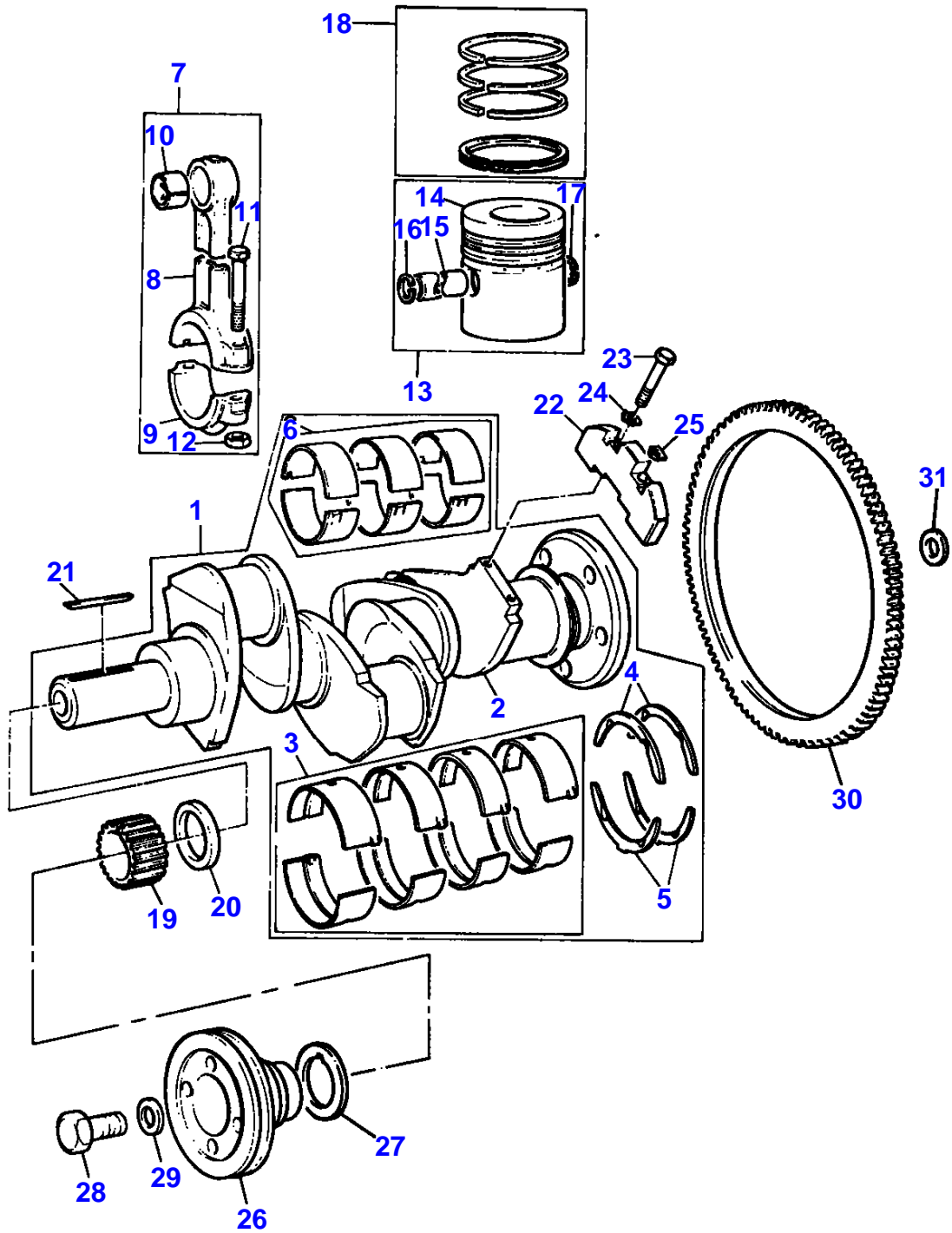
3311545

CYLINDER BLOCK - AD3.152 ENGINE

2

Item	Part Number	Qty	Description	Comments
72	0095350	1	Bolt	
73	2411118	1	Washer	
74	2411118	1	Washer	
75	0201047	1	Connection	
80	37556191	1	Plate	(E) Repairs and replaces 37416753
81	36862511	1	Joint	
82	2183205	3	Screw	(F)
82	2183203	3	Screw	(G)
83	0920053	3	Washer	
90	3681E015	1	Gasket	Repairs and replaces 3681E006
				(A) PRESS FIT
				(B) SLIP FIT
				(C) REMOVE AND FIT 0650594
				(D) FITTED IN PLACE OF OIL PRESSURE RAIL PLUG SUPPLIED WITH CYLINDER BLOCK ASSEMBLY
				(E) WAS 37416753 - USE 37556191 WITH 2183203-3
				(F) USED ONLY WITH 37416753
				(G) USED ONLY WITH 37556191

C-0563-21M-A



CRANKSHAFT, PISTONS AND CONNECTING RODS - AD3.152 ENGINE

Item	Part Number	Qty	Description	Comments
				AD3.152 ENGINE
1	ZZ 90078	1	Kit, Crankshaft	Repairs and replaces ZZ90122 Repairs and replaces U5BG0027 Repairs and replaces ZZ90019
2		1	Crankshaft	(1) Not serviced, order REF.1
3	68084	X	Kit, Bearing	(1) (A)
3	68084A	X	Kit, Bearing	(A) Thickness (-)0.25MM Thickness (-)0.010"
3	68084B	X	Kit, Bearing	(A) Thickness (-)0.50MM Thickness (-)0.020"
3	68084C	X	Kit, Bearing	(A) Thickness (-)0.75MM Thickness (-)0.030"
4	31137211	2	Thrust Washer	(1)
	31137212	X	Washer	Thickness (+)0.19MM Thickness (+)0.0075"
5	31137221	2	Thrust Washer	(1)
	31137222	X	Washer	Thickness (+)0.19MM Thickness (+)0.0075"
6	85036	1	Kit, Bearing	(1) (A)
6	85036A	X	Kit, Bearing	(A) Thickness (-)0.25MM Thickness (-)0.010"
6	85036B	X	Kit, Bearing	(A) Thickness (-)0.50MM Thickness (-)0.020"
6	85036C	X	Kit, Bearing	(A) Thickness (-)0.75MM Thickness (-)0.030"
7	ZZ 90010	1	Kit, Conrod	
8		1	Conrod	(7) Not serviced, order REF.7
9		1	Cap	(7) Not serviced, order REF.7
10	31134151	1	Bush	(7)
11	0095250	2	Bolt	(7)
12	33221327	2	Nut	(7)
13	68302	3	Kit, Piston	(B)
	89214	3	Kit, Piston	(C)
14		1	Piston	(13) Not serviced, order REF.13
15		1	Pin	(13) Not serviced, order REF.13
16	0170001	1	Circlip	(13)
17	0170001	1	Circlip	(13)
18	41158065	3	Kit, Piston Ring	
19	0410132	1	Gear,Crankshaft	Number of teeth/spines 25
20	0330811	1	Spacer	
21	36271704	1	Woodruff Key	
22	31328242	2	Weight	(D)
23	2185189	4	Screw	
24	31731515	2	Washer	
25	31731516	2	Washer	
26	31147788	1	Pulley,Crank	
27	33176137	1	Washer	
28	32162312	1	Screw	
29	33125112	1	Washer	
30	0410236	1	Starter Ring	Number of teeth/spines 115
31	33117127	6	Washer	Repairs and replaces 33117121
32	31137235	1	Thrust Washer	(1)
	31137236	X	Thrust Washer	Thickness (+)0.007"
33	31137245	1	Thrust Washer	(1)
	31137246	X	Thrust Washer	Thickness (+)0.007"

MASSEY FERGUSON

MF 354 S TRACTOR - 3311545

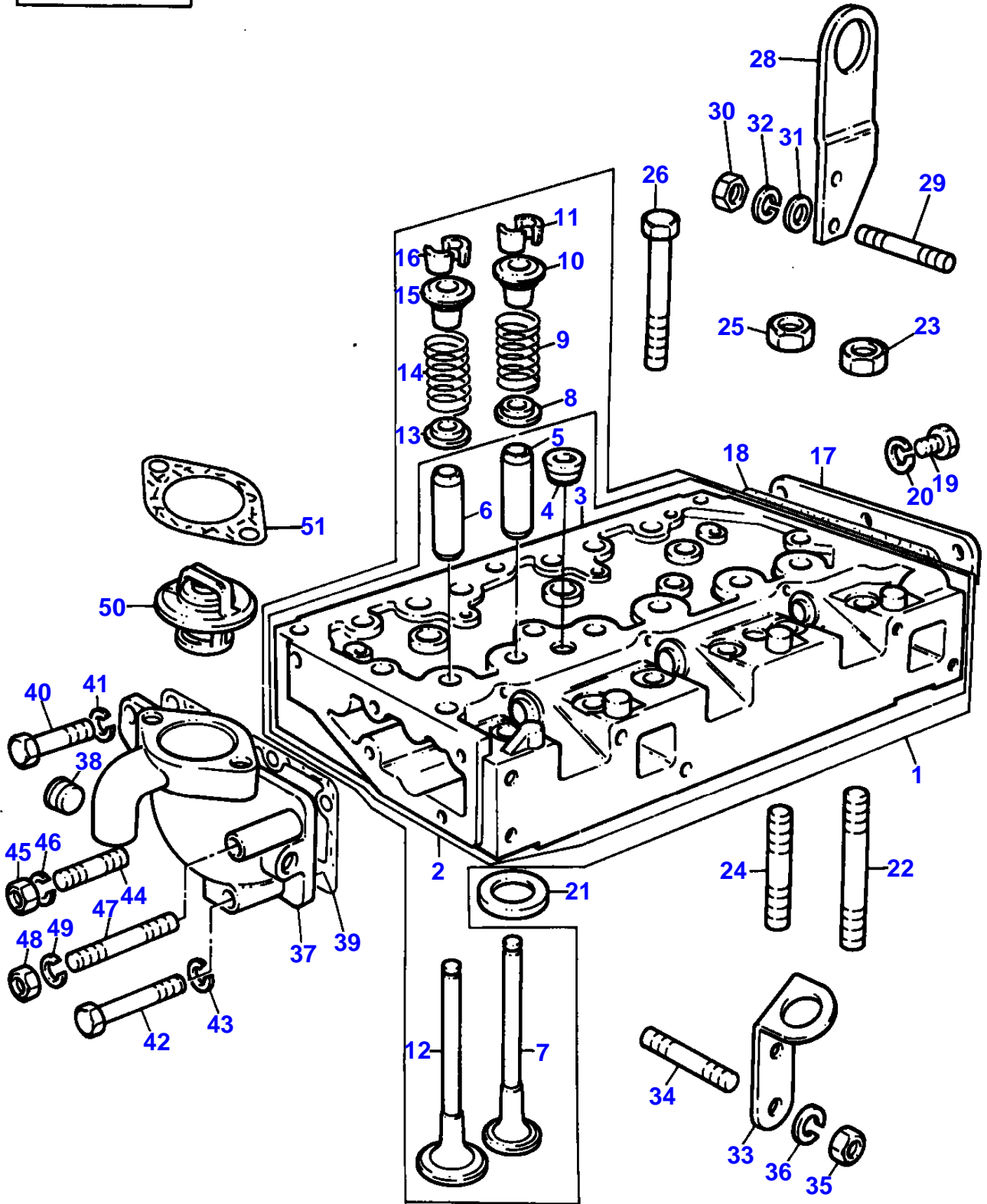
3311545

CRANKSHAFT, PISTONS AND CONNECTING RODS - AD3.152 ENGINE

3

Item	Part Number	Qty	Description	Comments
				(A) PRE-FINISHED
				(B) UNTOPPED
				(C) PRE-TOPPED
				(D) REPLACES 31328241 IN ENGINE SETS ONLY(QTY 2).

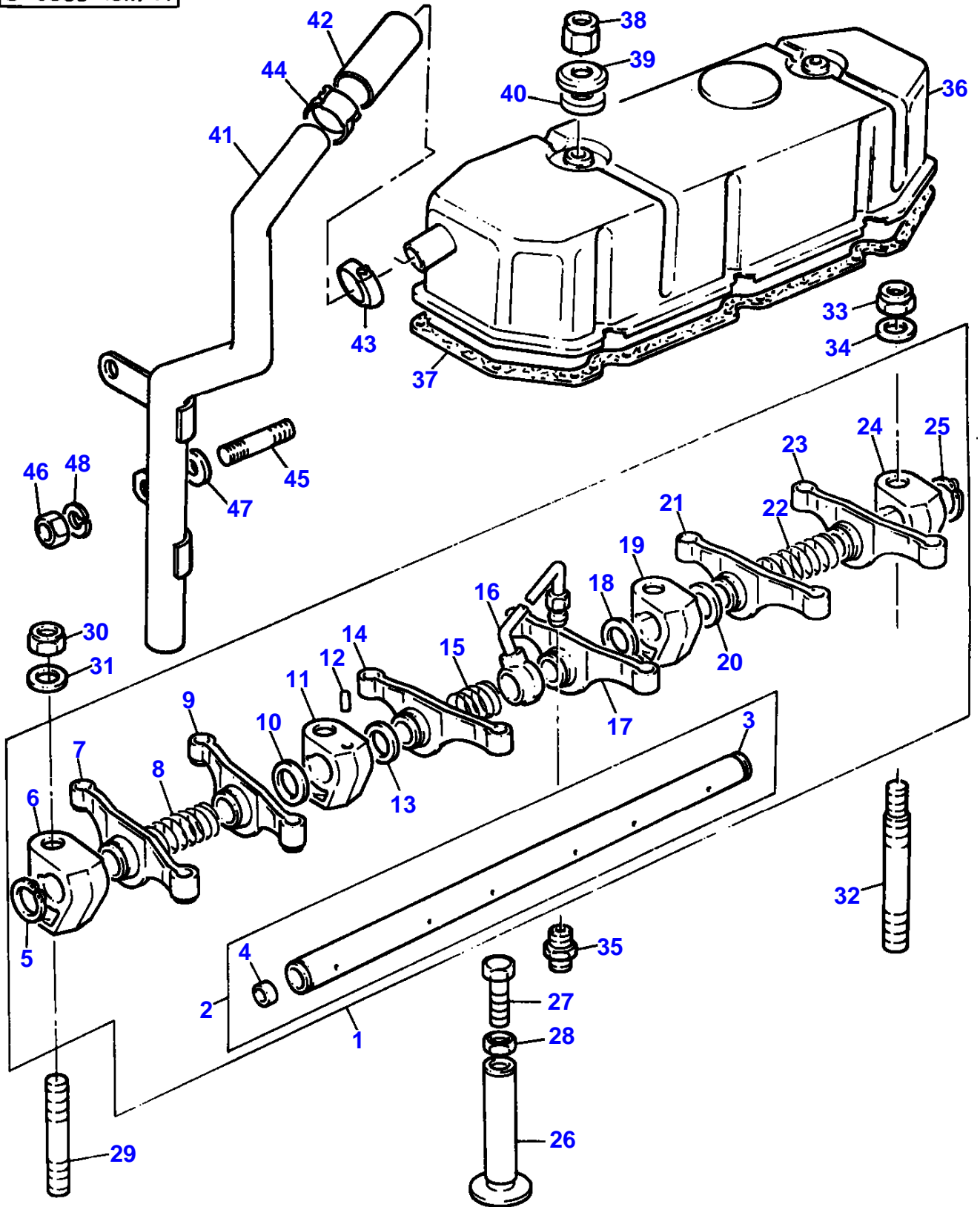
C-0566-21M-A



Item	Part Number	Qty	Description	Comments
				AD3.152 ENGINE
1	ZZ 80082	1	Kit, Cyl. Head	
2	ZZ 80017	1	Kit, Cyl. Head	(1)
3		1	Cylinder Head	(2) Not serviced, order REF.2
4	2431154	2	Plug	(2)
5	33261723	3	Guide	(2)
6	33261723	3	Guide	(2)
7	3142A081	3	Valve Exhaust	(1) Repairs and replaces 31431011
8	33415133	3	Washer	(1)
9	0780012	3	Spring	(1)
10	33423148	3	Cap	(1)
11	0230001	6	Cotter	(1) (A)
12	31431681	3	Valve Inlet	(1)
13	33415133	3	Washer	(1)
14	0780012	3	Spring	(1)
15	33423148	3	Cap	(1)
16	0230001	6	Cotter	(1) (A)
17	3612M002	1	Plate	
18	0490485	1	Joint	
19	0746254	6	Setscrew	
20	0920053	6	Washer	
21	33124428	3	Insert	
22	32524132	1	Stud	
23	33221329	1	Nut	
24	32524148	3	Stud	
25	33221329	3	Nut	
26	32181457	5	Screw	
27	32181458	9	Screw	
28	36531408	1	Plate	
29	2216194	2	Stud	
30	0576051	2	Nut	
31	0920004	2	Washer	
32	0920054	2	Washer	
33	36456321	1	Plate	
34	0826462	2	Stud	
35	0576051	2	Nut	
36	0920054	2	Washer	
37	37766363	1	Body	
38	2431A054	1	Plug	
39	0490482	1	Joint	
40	0746255	2	Setscrew	
41	0920053	2	Washer	
42	0096437	1	Bolt	
43	0920054	1	Washer	
44	2217072	1	Stud	
45	0576002	1	Nut	
46	0920053	1	Washer	
47	2215178	1	Stud	
48	0576051	1	Nut	
49	0920054	1	Washer	
50	2485666	1	Thermostat	
51	0490184	1	Joint	

(A)
SERVICED IN PAIRS

C-0569-16M-A



Buy Now



Our support email:

ebooklibonline@outlook.com