

Page Title	Page Number
ENGINE - T3.152.4 ENGINE	1
CYLINDER BLOCK - T3.152.4 ENGINE	2
CRANKSHAFT, PISTONS AND CONNECTING RODS - T3.152.4 ENGINE	3
CYLINDER HEAD - T3.152.4 ENGINE	4
ROCKER SHAFT - T3.152.4 ENGINE	5
TIMING GEAR AND CAMSHAFT - T3.152.4 ENGINE	6
FUEL INJECTION EQUIPMENT (DIESEL) - T3.152.4 ENGINE	7
LUBRICATING OIL SUMP - T3.152.4 ENGINE	8
LUBRICATING OIL FILTER AND INTEGRAL COOLER - T3.152.4 ENGINE	9
WATER PUMP, THERMOSTAT AND HEAT EXCHANGER - T3.152.4 ENGINE	10
LOW PRESSURE FUEL SYSTEM - T3.152.4 ENGINE	11
TURBOCHARGER - T3.152.4 ENGINE	12
TURBOCHARGER-INLET AND EXHAUST MANIFOLD - T3.152.4 ENGINE	13
TURBOCHARGER-PIPES AND HEAT SHIELDS - T3.152.4 ENGINE	14
ALTERNATOR POSITIONER - T3.152.4 ENGINE	15
JOINTS AND GASKETS - T3.152.4 ENGINE	16
ALTERNATOR - VALEO TYPE	17
ALTERNATOR-LUCAS	18
STARTER MOTOR	19
STARTER MOTOR - MARELLI	20
COOLING SYSTEM-ENGINE - FAN AND HOSES	21
COOLING SYSTEM - RADIATOR AND BRACKET	22
FUEL SYSTEM-FUEL FILTER	23
FUEL SYSTEM-FUEL TANK AND ATTACHMENTS	24
AIR FILTER-DRY - DUAL ELEMENT - DRY AIR CLEANER	25
EXHAUST SYSTEM-VERTICAL	26
EXHAUST SYSTEM-HORIZONTAL	27
THROTTLE CONTROLS	28
ELECTRICAL WIRING	29
BATTERY	30
INSTRUMENT PANEL AND INSTRUMENTS	31
INSTRUMENT PANEL AND INSTRUMENTS	32
HEATER KIT-ENGINE	33
CLUTCH-DUAL CLUTCH - 11 UP TO SERIAL NO P 50186	34
CLUTCH-DUAL CLUTCH - O.M.G. - 11	35
CLUTCH-DUAL CLUTCH - 11 FROM SERIAL P 50187	36
CLUTCH PEDAL AND LINKAGE	37
CENTRE AXLE HOUSING AND TRANSMISSION HOUSING	38
12 SPEED TRANSMISSION - STANDARD VERSION	39
12 SPEED TRANSMISSION - STANDARD VERSION	40
SHIFT LEVERS-12 SPEED TRANSMISSION	41
SHIFT LEVERS-12 SPEED TRANSMISSION	42
REDUCER - OVERDRIVE AND SHUTTLE VERSION	43
REDUCER CONTROL - OVERDRIVE AND SHUTTLE VERSION	44
REDUCER - OVERDRIVE AND UNDERDRIVE VERSION	45
REDUCER CONTROL - OVERDRIVE AND UNDERDRIVE VERSION	46
REDUCER - UNDERDRIVE AND SHUTTLE VERSION	47
REDUCER CONTROL - UNDERDRIVE AND SHUTTLE VERSION	48
REDUCER - SHUTTLE AND CREEPER VERSION	49
REDUCER CONTROL - SHUTTLE AND CREEPER VERSION	50
REDUCER - OVERDRIVE AND CREEPER VERSION	51
REDUCER CONTROL - OVERDRIVE AND CREEPER VERSION	52
REDUCER - UNDERDRIVE E CREEPER VERSION	53
REDUCER CONTROL - UNDERDRIVE E CREEPER VERSION	54
PTO SHAFT - STANDARD	55
PTO-CONTROL - STANDARD	56
PTO SHAFT - 540/750/1000 R.P.M.	57
PTO-CONTROL - 540/750/1000 R.P.M.	58
TRANSFER GEAR BOX-4 WHEEL DRIVE	59
4 WHEEL DRIVE CONTROLS	60
REAR AXLE-DIFFERENTIAL	61
REAR AXLE-HOUSING	62
REAR AXLE-DIFFERENTIAL LOCK MECHANISM - MECHANICAL CONTROL	63
BRAKE AND CONTROLS	64
BRAKE AND CONTROLS	65
BRAKES-HANDBRAKE	66

TABLE OF CONTENT

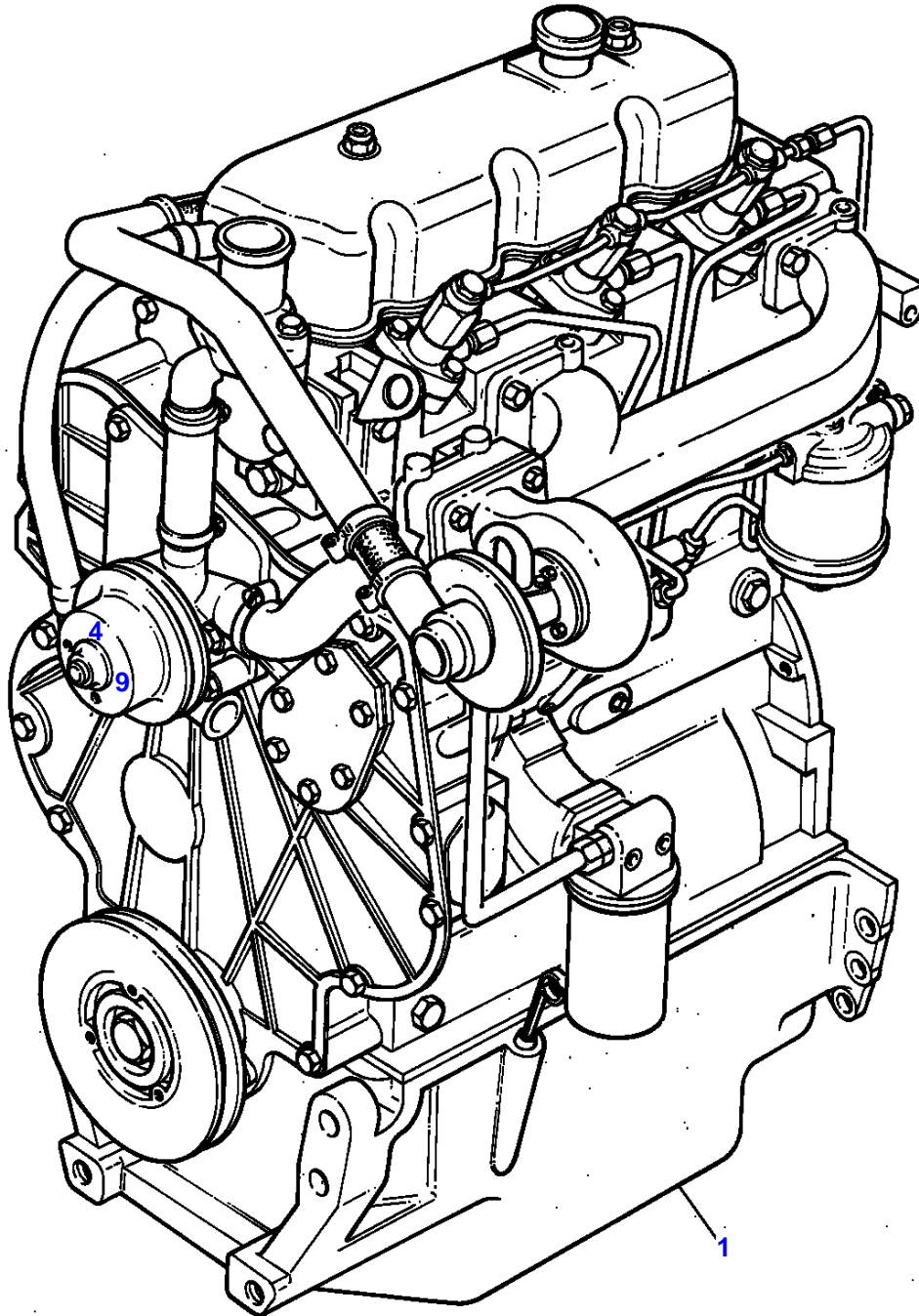
BRAKE CYLINDER	67
BRAKES-MASTER CYLINDER	68
REAR WHEELS	69
FRONT AXLE 2 WHEEL DRIVE-AXLE SUPPORT	70
FRONT AXLE 4 WHEEL DRIVE-DIFFERENTIAL	71
FRONT AXLE 4 WHEEL DRIVE-DIFFERENTIAL	72
FRONT AXLE 4 WHEEL DRIVE-FINAL DRIVE	73
STEERING HYDRAULIC LINES	74
STEERING HYDRAULIC LINES	75
STEERING ORBITROL UNIT - 2 WHEEL DRIVE	76
STEERING ORBITROL UNIT - 4 WHEELS DRIVE	77
STEERING-STEERING PUMP - UP TO SERIAL NUMBER- R31000	78
STEERING-STEERING PUMP - FROM SERIAL NO- R31001.	79
STEERING CYLINDER-2 WHEEL DRIVE	80
STEERING CYLINDER-4 WHEEL DRIVE	81
FRONT WHEELS	82
HYDRAULIC LIFT PIPINGS - STANDARD VERSION	83
HYDRAULIC LIFT PIPINGS	84
HYDRAULIC LIFT PIPINGS - SINGLE HYDRAULIC LINES	85
HYDRAULIC PUMP - TUROLLA	86
HYDRAULIC PUMP - BOSCH	87
HYDRAULIC PUMP - CESSNA	88
HYDRAULIC LIFT VALVE	89
HYDRAULIC LIFT-LIFT ARMS	90
HYDRAULIC LIFT-LIFT ARMS	91
HYDRAULIC LIFT CYLINDER - AUXILIARY	92
REAR CONTROLS-DRAFT AND POSITION	93
REAR CONTROLS-DRAFT AND POSITION	94
AUXILIARY HYDRAULIC VALVE LINES - TILL TYPE	95
AUXILIARY HYDRAULIC VALVE LINES - TILL TYPE	96
AUXILIARY HYDRAULICS VALVE - STANDARD	97
AUXILIARY HYDRAULICS VALVE - FLOATING	98
ACCESSORIES HYDRAULIC - ADDITIONAL POWER OUTLET UNIT	99
HITCH-SUPPORTS AND GUARDS - CAT 1	100
HITCH-SUPPORTS AND GUARDS - CAT 1	101
LINKAGE CAT 2	102
LINKAGE-LINK END	103
SHEET METAL-GRILLE	104
SHEET METAL-HOOD	105
SHEET METAL-PANELS	106
DECALS	107
DECALS	108
DECALS	109
FENDERS AND PLATFORM	110
FENDERS - FRONT - 2WHEEL DRIVE	111
FENDERS - FRONT - 4 WHEELS DRIVE	112
SAFETY FRAME	113
SEAT-GRAMMER	114
SEAT-GRAMMER	115
TRACTOR CAB-FRAME	116
TRACTOR CAB-ROOF	117
TRACTOR CAB-CAB DOOR	118
TRACTOR CAB-WINDOWS - FRONT	119
TRACTOR CAB-WINDOWS - REAR	120
TRACTOR CAB-CAB INSULATION	121
TRACTOR CAB-CAB INSULATION	122
TRACTOR CAB-ELECTRICAL EQUIPMENT	123
TRACTOR CAB-CAB INSULATION	124
LIGHTING EQUIPMENT	125
LIGHTING EQUIPMENT	126
ELECTRONIC HARNESS-INSTRUMENT PANEL	127
SENSORS HARNESS	128
LIGHTING EQUIPMENT-REAR	129
ELECTRICAL WIRING-TRACTOR CAB	130
WEIGHT FRAME AND WEIGHTS	131
HITCH CONNECTIONS	132
REAR HOOK-ADJUSTABLE	133
REAR HOOK-ADJUSTABLE - STANDARD	134

TABLE OF CONTENT

00

DRAWBAR	135
DRAWBAR	136
TRAILER BRAKES-PIPES AND FITTINGS	137
TOOL KIT	138

C-0011-16M-A



MASSEY FERGUSON

MF 364 S TRACTOR - 3311546

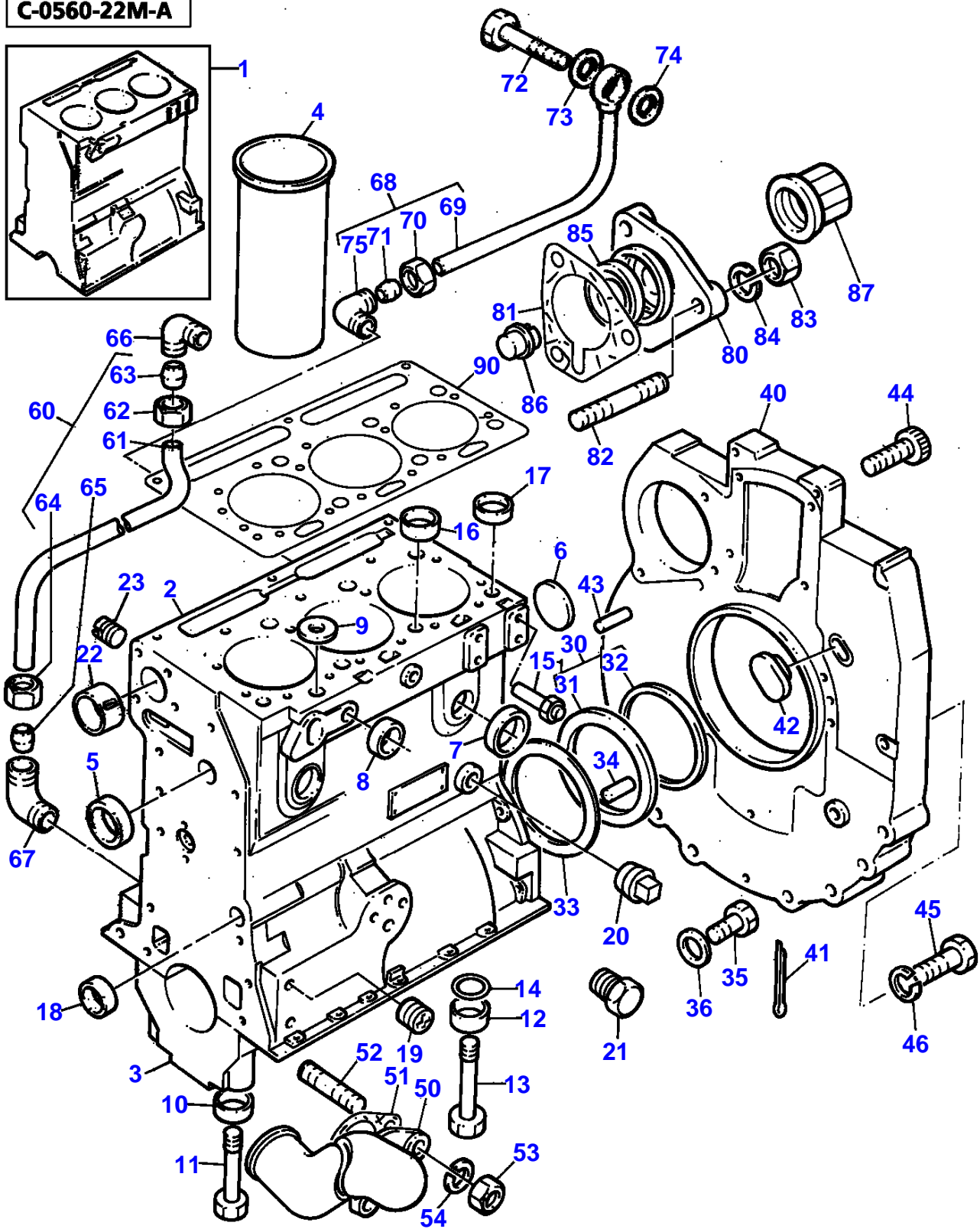
3311546

ENGINE - T3.152.4 ENGINE

1

Item	Part Number	Qty	Description	Comments
				T3.152.4 ENGINE
1	CN31198	X	Parts Book	(A,B)
	CN31225	X	Parts Book	(A,B)
				(A)
				FOR MF 364F/364S/364V AND LANDINI 6060F/6060L/6060 V TRACTORS ONLY
				(B)
				SHORT ENGINE CE39107

C-0560-22M-A



MASSEY FERGUSON

MF 364 S TRACTOR - 3311546

3311546

CYLINDER BLOCK - T3.152.4 ENGINE

2

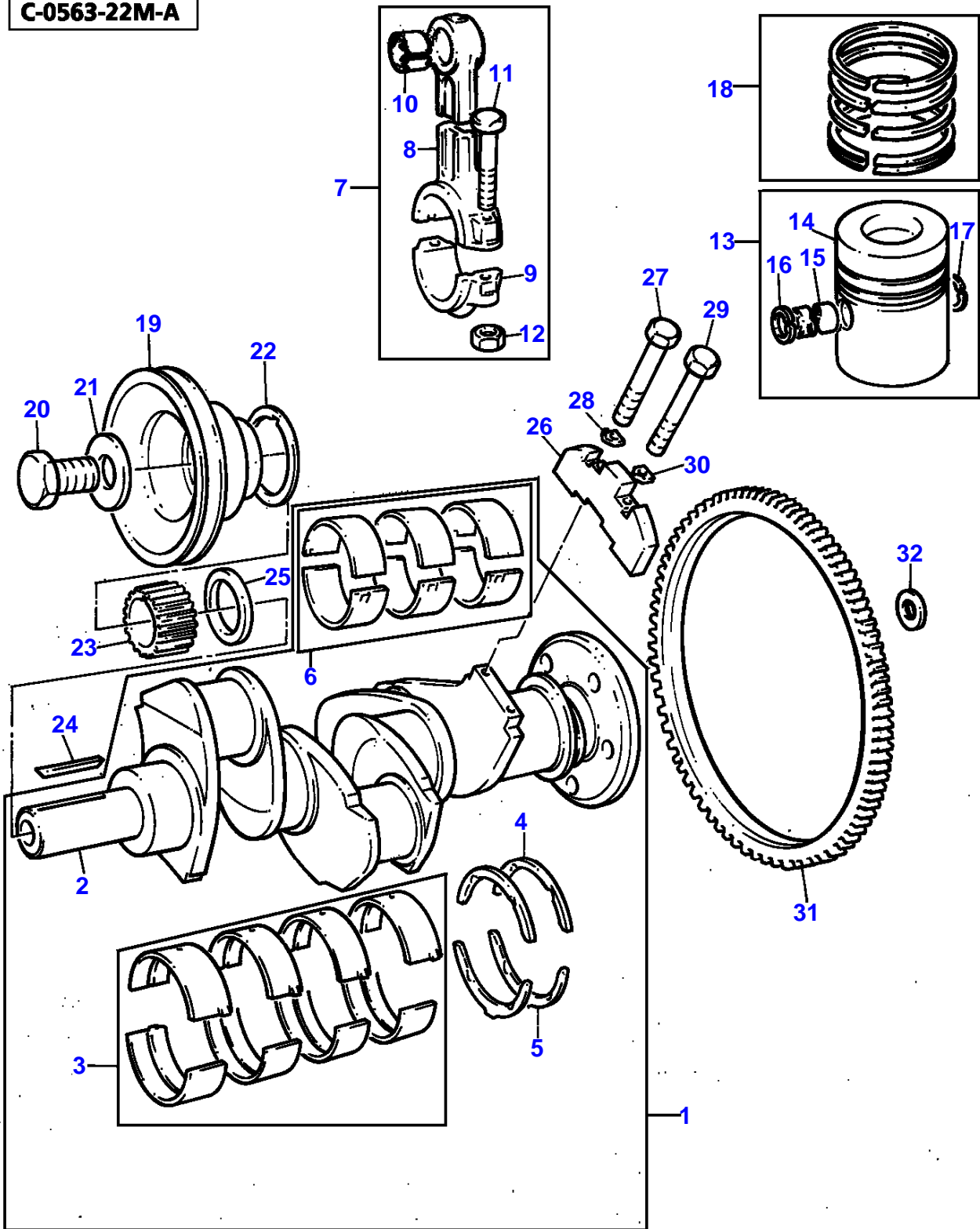
Item	Part Number	Qty	Description	Comments
				T3.152.4 ENGINE
1	ZZ 50172	1	Kit,Cyl.Block	
2		1	Cylinder Block	(1)
3		4	Bearing Cap	Not serviced, order REF.1 (1)
4	31358323	3	Liner	Not serviced, order REF.1 (1)
4	31358345	X	Liner	(A) (B)
	31358357	X	Liner	(B) Thickness (+)0.76MM Thickness (+)0.030"
5	0650710	1	Plug	(1)
6	0650692	1	Plug	(1)
7	0650710	4	Plug	(1)
8	32417163	2	Plug	(1)
9	33141124	1	Plug	(1)
10	33137408	6	Thimble	(1)
11	32181441	6	Screw	(1)
12	33137408	2	Thimble	(1)
13	32181442	2	Screw	(1)
14	2415608	2	O Ring	(1)
15	2485A204	1	Plug	(1)
16	33157142	2	Plug	(1)
17	33157143	2	Plug	(1)
18	0650566	2	Plug	(1)
19	32114472	3	Plug	(1)
20	2431131	1	Plug	(1) (C)
20	0650594	1	Plug	(D)
21	32161114	1	Plug	(1)
22	32114143	1	Plug	(1)
23	31134128	1	Bush	(1)
30	4142V002	1	Housing	
31		1	Housing	(30) Not serviced, order REF.30
32	2418F475	1	Seal	(30)
33	33826111	1	Joint	
34	0350015	2	Dowel	
35	0746255	9	Setscrew	
36	0920003	9	Washer	
40	37147975	1	Plate	
41	0610045	1	Pin	
42	37813113	1	Plug	
43	0350016	2	Dowel	
44	0720798	2	Screw	
45	0746454	6	Setscrew	
46	0920054	6	Washer	
50	3765T011	1	Connection	
51	0490486	1	Joint	
52	2217072	2	Stud	
53	0576002	2	Nut	
54	0920053	2	Washer	
60	35352404	1	Pipe,Oil	
61		1	Pipe	(60) Not serviced, order REF.60
62	0576111	1	Nut	(60)
63	0566002	1	Olive	(60)
64	0576111	1	Nut	(60)
65	0566002	1	Olive	(60)
66	0201047	1	Connection	
67	0201047	1	Connection	
68	35568109	1	Pipe,Oil	
69		1	Pipe	(68) Not serviced, order REF.68
70	0576111	1	Nut	(68)
71	0566002	1	Olive	(68)
72	0095350	1	Bolt	

**MASSEY FERGUSON****MF 364 S TRACTOR - 3311546****3311546****CYLINDER BLOCK - T3.152.4 ENGINE****2**

Item	Part Number	Qty	Description	Comments
73	2411118	1	Washer	Repairs and replaces 0920126
74	2411118	1	Washer	Repairs and replaces 0920126
75	0201047	1	Connection	
80	37556191	1	Plate	(E) Repairs and replaces 37416753
81	36862511	1	Joint	
82	2183205	3	Screw	(F)
82	2183203	3	Screw	(G)
83	0920053	3	Washer	
90	3681E015	1	Gasket	Repairs and replaces 3681E006
				(A) PRESS FIT
				(B) SLIP FIT
				(C) REMOVE AND FIT 0650594
				(D) FITTED IN PLACE OF OIL PRESSURE RAIL PLUG SUPPLIED WITH CYLINDER BLOCK ASSEMBLY
				(E) WAS 37416753 - USE 37556191 WITH 2183203-3
				(F) USED ONLY WITH 37416753
				(G) USED ONLY WITH 37556191



C-0563-22M-A

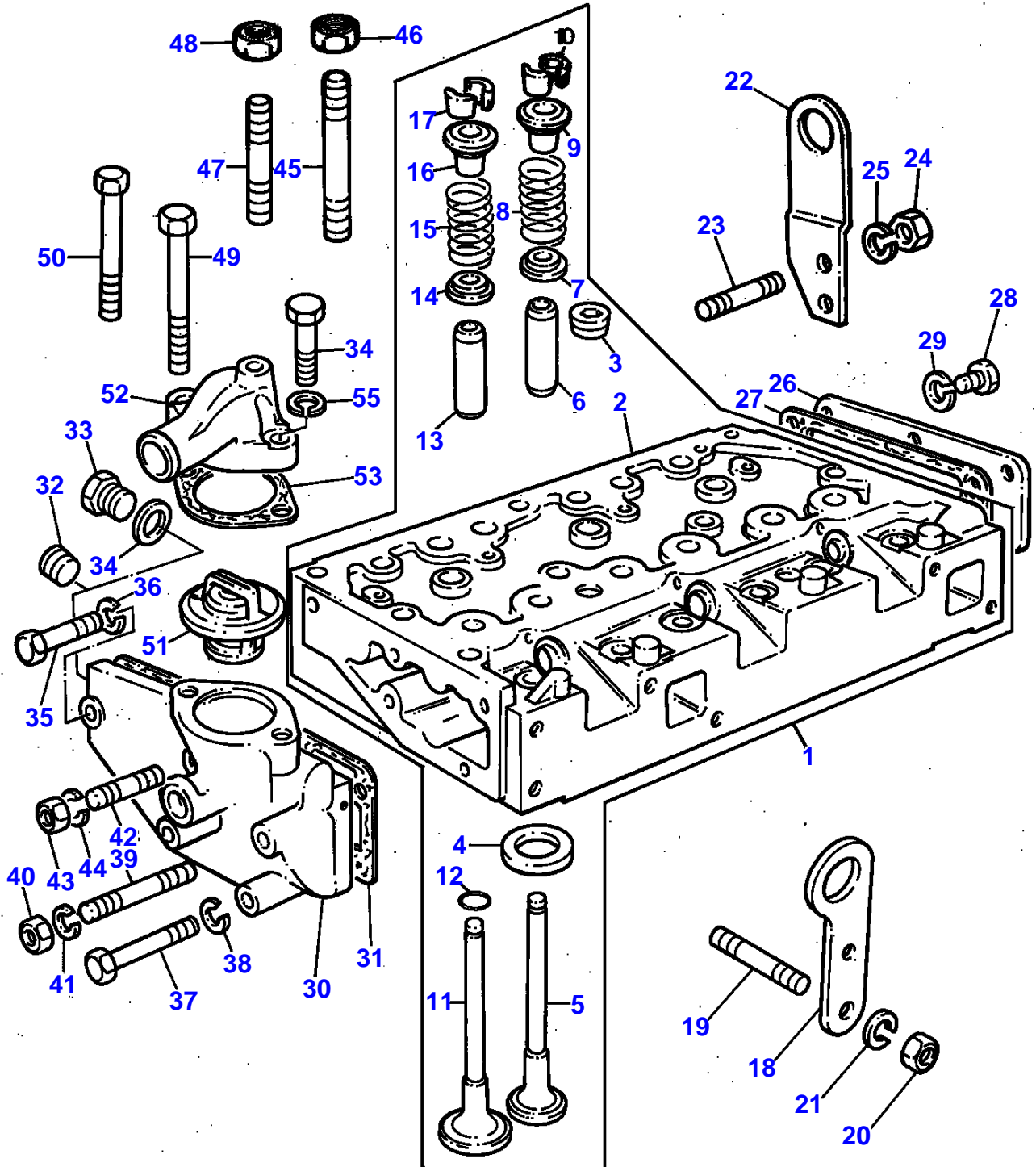


CRANKSHAFT, PISTONS AND CONNECTING RODS - T3.152.4 ENGINE

Item	Part Number	Qty	Description	Comments
				T3.152.4 ENGINE
1	ZZ 90106	1	Kit, Crankshaft	Repairs and replaces U5BG0043
2		1	Crankshaft	(1) Not serviced, order REF.1
3	U5MB0008	X	Kit, Bearing	(A)
	U5MB0008A	X	Kit, Bearing	(A) Thickness (-)0.25MM Thickness (-)0.010"
3	U5MB0008B	X	Kit, Bearing	(A) Thickness (-)0.50MM Thickness (-)0.020"
3	U5MB0008C	X	Kit, Bearing	(A) Thickness (-)0.75MM Thickness (-)0.030"
4	31137211	2	Thrust Washer	(1)
	31137212	X	Washer	Thickness (+)0.19MM Thickness (+)0.0075"
5	31137221	2	Thrust Washer	(1)
	31137222	X	Washer	Thickness (+)0.19MM Thickness (+)0.0075"
6	U5ME0005	1	Kit, Bearing	(1) (A)
6	U5ME0005A	X	Kit, Bearing	(A) Thickness (-)0.25MM Thickness (-)0.010"
6	U5ME0005B	X	Kit, Bearing	(A) Thickness (-)0.50MM Thickness (-)0.020"
6	U5ME0005C	X	Kit, Bearing	(A) Thickness (-)0.75MM Thickness (-)0.030"
7	ZZ 90010	1	Kit, Conrod	
8		1	Conrod	(7) Not serviced, order REF.7
9		1	Cap	(7) Not serviced, order REF.7
10	31134151	1	Bush	(7)
11	0095250	2	Bolt	(7)
12	33221327	2	Nut	(7)
13	U5LP0029	3	Kit, Piston	(B)
	U5LU0023	3	Kit, Piston	(C)
14		1	Piston	(13) Not serviced, order REF.13
15		1	Pin	(13) Not serviced, order REF.13
16	0170001	1	Circlip	(13)
17	0170001	1	Circlip	(13)
18	4181A017	3	Kit, Piston Ring	
19	31147788	1	Pulley,Crank	
20	32162312	1	Screw	
21	33125112	1	Washer	
22	33176137	1	Washer	
23	0410132	1	Gear,Crankshaft	(D) Number of teeth/spines 25
23	31163411	1	Gear,Crankshaft	(E) Number of teeth/spines 25
24	36271704	1	Woodruff Key	
25	0330811	1	Spacer	
26	31328242	2	Weight	(F)
27	2185189	2	Screw	
28	31731515	2	Washer	Right Hand
29	2185189	2	Screw	
30	31731516	2	Washer	Left Hand
31	0410236	1	Starter Ring	Number of teeth/spines 115
32	33117127	6	Washer	Repairs and replaces 33117127  (A) PRE-FINISHED

Item	Part Number	Qty	Description	Comments
				(B) UNTOPPED
				(C) PRE-TOPPED
				(D) FOR ENGINES BUILT TO BUILD LIST CE31198
				(E) FOR ENGINES BUILT TO BUILD LIST CE31225
				(F) REPLACES 31328241 IN ENGINE SETS ONLY(QTY 2).

C-0566-22M-A

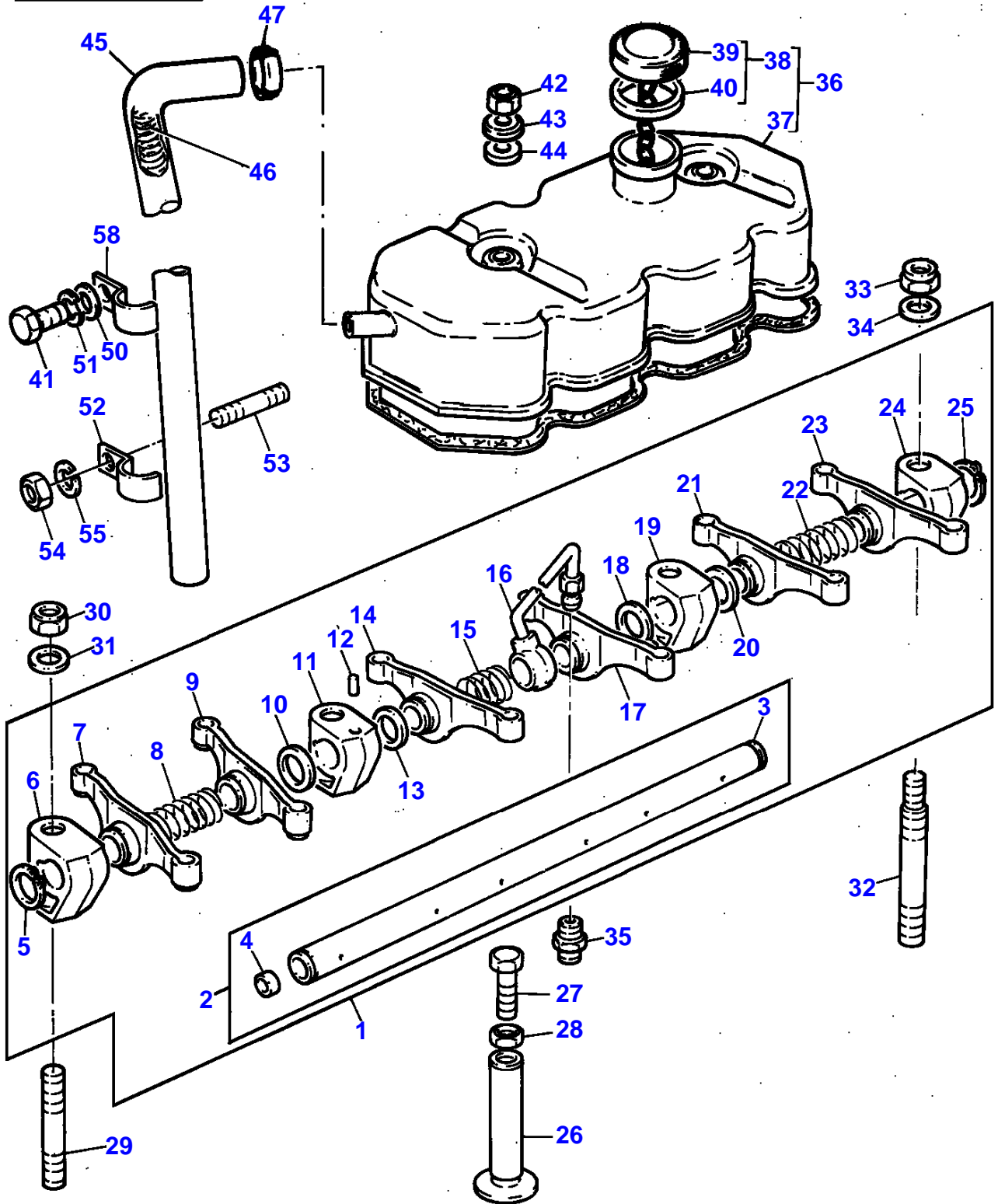


Item	Part Number	Qty	Description	Comments
				T3.152.4 ENGINE
1	ZZ 80113	1	Kit, Cyl. Head	
2		1	Cylinder Head	(1) Not serviced, order REF.1
3	2431154	2	Plug	(1)
4	3314A005	3	Insert	(1)
5	3142A081	3	Valve Exhaust	(1)
6	3313E011	3	Guide	(1)
7	33415133	3	Washer	(1)
8	0780006	3	Spring	(1)
9	33423148	3	Cap	(1)
10	0230001	6	Cotter	(1) (A)
11	31431121	3	Valve Inlet	(1)
12	2415258	3	Seal	(1)
13	3313E011	3	Guide	(1)
14	33177518	3	Washer	(1)
15	0780006	3	Spring	(1)
16	33423148	3	Cap	(1)
17	0230001	6	Cotter	(1) (A)
18	3624V004	1	Plate	
19		2	Stud	See Page - Reference Number 13/10
20		2	Nut	See Page - Reference Number 13/11
21		2	Washer	(B)
22	36531408	1	Plate	
23	2216194	2	Stud	
24	0576051	2	Nut	
25	0920054	2	Washer	
26	3612M002	1	Plate	
27	0490485	1	Joint	
28	0746254	6	Setscrew	
29	0920053	6	Washer	
30	3771K072	1	Therm. Housing	Repairs and replaces 3771K071
31	3685A004	1	Joint	
32	2431A054	1	Plug	
33	0650203	1	Plug	
34	2411157	1	Washer	
35	0096213	2	Bolt	
36	0920053	2	Washer	
37	0096442	1	Bolt	
38	0920054	1	Washer	
39	2215179	1	Stud	
40	0576051	1	Nut	
41	0920054	1	Washer	
42	2217072	1	Stud	
43	0576002	1	Nut	
44	0920053	1	Washer	
45	32524132	1	Stud	
46	33221329	1	Nut	
47	32524148	3	Stud	
48	33221329	3	Nut	
49	32181457	5	Screw	
50	32181458	9	Screw	
51	2485613	1	Thermostat	
52	3764A041	1	Connection	
53	0490184	1	Joint	
54	0096433	2	Bolt	
55	0920054	2	Washer	

(A)  
SERVICED IN PAIRS

(B)  
NOT REQUIRED FOR THIS APPLICATION

C-0569-17M-A



**Buy Now**



Our support email:

[ebooklibonline@outlook.com](mailto:ebooklibonline@outlook.com)