

Page Title	Page Number
ENGINE - A4.236 ENGINE	1
CYLINDER BLOCK - A4.236 ENGINE	2
CRANKSHAFT, PISTONS AND CONNECTING RODS - A4.236 ENGINE	3
CYLINDER HEAD - A4.236 ENGINE	4
ROCKER SHAFT - A4.236 ENGINE	5
AIR INDUCTION AND EXHAUST SYSTEM - A4.236 ENGINE	6
TIMING GEAR AND CAMSHAFT - A4.236 ENGINE	7
FUEL INJECTION EQUIPMENT (DIESEL) - A4.236 ENGINE	8
LUBRICATING OIL SUMP - A4.236 ENGINE	9
BALANCER UNIT - A4.236 ENGINE	10
LUBRICATING OIL FILTER AND INTEGRAL COOLER - A4.236 ENGINE	11
WATER PUMP, THERMOSTAT AND HEAT EXCHANGER - A4.236 ENGINE	12
LOW PRESSURE FUEL SYSTEM - A4.236 ENGINE	13
ALTERNATOR POSITIONER - A4.236 ENGINE	14
JOINTS AND GASKETS - A4.236 ENGINE	15
STAND - WITH SPACER	16
ALTERNATOR - VALEO TYPE	17
ALTERNATOR-LUCAS	18
STARTER-LUCAS	19
STARTER MOTOR - MARELLI	20
COOLING SYSTEM-ENGINE - FAN AND HOSES	21
COOLING SYSTEM - RADIATOR AND BRACKET	22
FUEL SYSTEM-FUEL FILTER	23
FUEL SYSTEM-FUEL TANK AND ATTACHMENTS	24
AIR FILTER-DRY - DUAL ELEMENT - DRY AIR CLEANER	25
EXHAUST SYSTEM-VERTICAL	26
EXHAUST SYSTEM-HORIZONTAL	27
THROTTLE CONTROLS	28
ELECTRICAL WIRING	29
BATTERY	30
INSTRUMENT PANEL AND INSTRUMENTS	31
INSTRUMENT PANEL AND INSTRUMENTS	32
HEATER KIT-ENGINE	33
CLUTCH-DUAL CLUTCH - LUK - 11	34
CLUTCH-DUAL CLUTCH - O.M.G. - 11	35
CLUTCH PEDAL AND LINKAGE	36
CENTRE AXLE HOUSING AND TRANSMISSION HOUSING	37
12 SPEED TRANSMISSION - STANDARD VERSION	38
12 SPEED TRANSMISSION - STANDARD VERSION	39
SHIFT LEVERS-12 SPEED TRANSMISSION	40
SHIFT LEVERS-12 SPEED TRANSMISSION	41
REDUCER - OVERDRIVE AND SHUTTLE VERSION	42
REDUCER CONTROL - OVERDRIVE AND SHUTTLE VERSION	43
REDUCER - OVERDRIVE AND UNDERDRIVE VERSION	44
REDUCER CONTROL - OVERDRIVE AND UNDERDRIVE VERSION	45
REDUCER - UNDERDRIVE AND SHUTTLE VERSION	46
REDUCER CONTROL - UNDERDRIVE AND SHUTTLE VERSION	47
REDUCER - SHUTTLE AND CREEPER VERSION	48
REDUCER CONTROL - SHUTTLE AND CREEPER VERSION	49
REDUCER - OVERDRIVE AND CREEPER VERSION	50
REDUCER CONTROL - OVERDRIVE AND CREEPER VERSION	51
REDUCER - UNDERDRIVE E CREEPER VERSION	52
REDUCER CONTROL - UNDERDRIVE E CREEPER VERSION	53
PTO SHAFT - STANDARD	54
PTO-CONTROL - STANDARD	55
PTO SHAFT - 540/750/1000 R.P.M.	56
PTO-CONTROL - 540/750/1000 R.P.M.	57
TRANSFER GEAR BOX-4 WHEEL DRIVE	58
4 WHEEL DRIVE CONTROLS	59
REAR AXLE-DIFFERENTIAL	60
REAR AXLE-HOUSING	61
REAR AXLE-DIFFERENTIAL LOCK MECHANISM - MECHANICAL CONTROL	62
BRAKE AND CONTROLS	63
BRAKE AND CONTROLS	64
BRAKES-HANDBRAKE	65
BRAKE CYLINDER	66

TABLE OF CONTENT

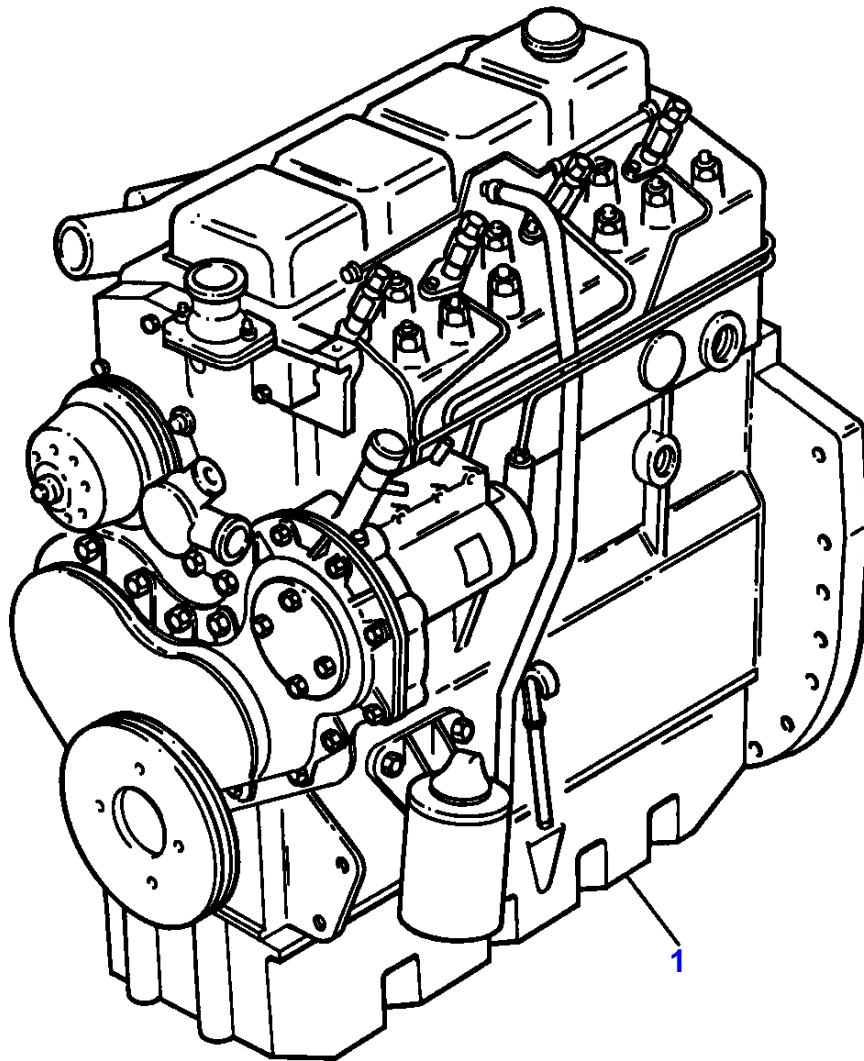
BRAKES-MASTER CYLINDER	67
REAR WHEELS	68
FRONT AXLE 2 WHEEL DRIVE-AXLE SUPPORT	69
FRONT AXLE 4 WHEEL DRIVE-DIFFERENTIAL	70
FRONT AXLE 4 WHEEL DRIVE-DIFFERENTIAL	71
FRONT AXLE 4 WHEEL DRIVE-FINAL DRIVE	72
STEERING HYDRAULIC LINES	73
STEERING HYDRAULIC LINES	74
STEERING ORBITROL UNIT - 2 WHEEL DRIVE	75
STEERING ORBITROL UNIT - 4 WHEELS DRIVE	76
STEERING-STEERING PUMP - UP TO SERIAL NUMBER- R31000	77
STEERING-STEERING PUMP - FROM SERIAL NO- R31001.	78
STEERING CYLINDER-2 WHEEL DRIVE	79
STEERING CYLINDER-4 WHEEL DRIVE	80
FRONT WHEELS	81
HYDRAULIC LIFT PIPINGS - STANDARD VERSION	82
HYDRAULIC LIFT PIPINGS	83
HYDRAULIC LIFT PIPINGS - SINGLE HYDRAULIC LINES	84
HYDRAULIC PUMP - TUROLLA	85
HYDRAULIC PUMP - BOSCH	86
HYDRAULIC PUMP - BOSCH	87
HYDRAULIC PUMP - BOSCH	88
HYDRAULIC LIFT VALVE	89
HYDRAULIC LIFT-LIFT ARMS	90
HYDRAULIC LIFT-LIFT ARMS	91
HYDRAULIC LIFT CYLINDER - AUXILIARY	92
REAR CONTROLS-DRAFT AND POSITION	93
REAR CONTROLS-DRAFT AND POSITION	94
AUXILIARY HYDRAULIC VALVE LINES - TILL TYPE	95
AUXILIARY HYDRAULIC VALVE LINES - TILL TYPE	96
AUXILIARY HYDRAULICS VALVE - STANDARD	97
AUXILIARY HYDRAULICS VALVE - FLOATING	98
ACCESSORIES HYDRAULIC - ADDITIONAL POWER OUTLET UNIT	99
HITCH-SUPPORTS AND GUARDS - CAT 1	100
HITCH-SUPPORTS AND GUARDS - CAT 1	101
LINKAGE CAT 2	102
LINKAGE-LINK END	103
SHEET METAL-GRILLE	104
SHEET METAL-HOOD	105
SHEET METAL-PANELS	106
DECALS	107
DECALS	108
DECALS	109
FENDERS AND PLATFORM	110
FENDERS - FRONT - 2WHEEL DRIVE	111
FENDERS - FRONT - 4 WHEELS DRIVE	112
SAFETY FRAME	113
SEAT-GRAMMER	114
SEAT-GRAMMER	115
TRACTOR CAB-FRAME	116
TRACTOR CAB-ROOF	117
TRACTOR CAB-CAB DOOR	118
TRACTOR CAB-WINDOWS - FRONT	119
TRACTOR CAB-WINDOWS - REAR	120
TRACTOR CAB-CAB INSULATION	121
TRACTOR CAB-CAB INSULATION	122
TRACTOR CAB-ELECTRICAL EQUIPMENT	123
TRACTOR CAB-CAB INSULATION	124
TRACTOR CAB-AIR CONDITIONER - FROM SERIAL NO R 34153.	125
TRACTOR CAB-AIR CONDITIONER - FROM SERIAL NO R 34153.	126
LIGHTING EQUIPMENT	127
LIGHTING EQUIPMENT	128
ELECTRONIC HARNESS-INSTRUMENT PANEL	129
SENSORS HARNESS	130
LIGHTING EQUIPMENT-REAR	131
ELECTRICAL WIRING-TRACTOR CAB	132
WEIGHT FRAME AND WEIGHTS	133
HITCH CONNECTIONS	134

TABLE OF CONTENT

00

REAR HOOK-ADJUSTABLE	135
REAR HOOK-ADJUSTABLE - STANDARD	136
DRAWBAR	137
DRAWBAR	138
TRAILER BRAKES-PIPES AND FITTINGS	139
TOOL KIT	140

L-0011-26M-A



MASSEY FERGUSON

MF 384 S TRACTOR, ->| 30/09/93 - 3311548

3311548

ENGINE - A4.236 ENGINE

1

Item	Part Number	Qty	Description	Comments
				A4.236 ENGINE
1	LD31200	X	Parts Book	(C)
	LD 39303	X	Short Engine	(C)
				(C)
				FOR MF 384F/384S AND LANDINI 7560F/7560L TRACTORS ONLY

Thank you so much for reading.
Please click the “Buy Now!”
button below to download the
complete manual.



After you pay.

You can download the most
perfect and complete manual in
the world immediately.

Our support email:

ebooklibonline@outlook.com