

Page Title	Page Number
ENGINE, A4.248 ENGINE	1
CYLINDER BLOCK, A4.248 ENGINE	2
CRANKSHAFT, PISTONS AND CONNECTING RODS, A4.248 ENGINE	3
CYLINDER HEAD, A4.248 ENGINE	5
ROCKER SHAFT, A4.248 ENGINE	7
AIR INDUCTION AND EXHAUST SYSTEM, A4.248 ENGINE	8
TIMING GEAR AND CAMSHAFT, A4.248 ENGINE	9
FUEL INJECTION EQUIPMENT (DIESEL), A4.248 ENGINE	10
LUBRICATING OIL SUMP, A4.248 ENGINE	11
BALANCER UNIT, A4.248 ENGINE	12
LUBRICATING OIL FILTER AND INTEGRAL COOLER, A4.248 ENGINE	13
WATER PUMP, THERMOSTAT AND HEAT EXCHANGER, A4.248 ENGINE	14
LOW PRESSURE FUEL SYSTEM, A4.248 ENGINE	15
ALTERNATOR POSITIONER, A4.248 ENGINE	16
JOINTS AND GASKETS, A4.248 ENGINE	17
STAND, WITH SPACER	18
ALTERNATOR, VALEO TYPE	19
ALTERNATOR - LUCAS	20
STARTER - LUCAS	21
STARTER MOTOR, MARELLI	22
COOLING SYSTEM - ENGINE, FAN AND HOSES	23
COOLING SYSTEM, RADIATOR AND BRACKET	24
FUEL SYSTEM - FUEL FILTER	27
FUEL SYSTEM - FUEL TANK AND ATTACHMENTS	28
AIR FILTER - DRY - DUAL ELEMENT, DRY AIR CLEANER	29
EXHAUST SYSTEM - VERTICAL	30
EXHAUST SYSTEM - HORIZONTAL	31
THROTTLE CONTROLS	32
ELECTRICAL WIRING	33
ELECTRICAL WIRING - TRACTOR CAB	177
BATTERY	36
INSTRUMENT PANEL AND INSTRUMENTS	37
INSTRUMENT PANEL AND INSTRUMENTS	39
HEATER KIT - ENGINE	40
CLUTCH - DUAL CLUTCH, LUK - 11"	41
CLUTCH - DUAL CLUTCH, O.M.G. - 11"	42
CLUTCH PEDAL AND LINKAGE	43
CENTRE AXLE HOUSING AND TRANSMISSION HOUSING	45
12 SPEED TRANSMISSION, STANDARD VERSION	46
12 SPEED TRANSMISSION, STANDARD VERSION	48
SHIFT LEVERS - 12 SPEED TRANSMISSION	50
SHIFT LEVERS - 12 SPEED TRANSMISSION	51
REDUCER, OVERDRIVE AND SHUTTLE VERSION	52
REDUCER CONTROL, OVERDRIVE AND SHUTTLE VERSION	54
REDUCER, OVERDRIVE AND UNDERDRIVE VERSION	55
REDUCER CONTROL, OVERDRIVE AND UNDERDRIVE VERSION	57
REDUCER, UNDERDRIVE AND SHUTTLE VERSION	58
REDUCER CONTROL, UNDERDRIVE AND SHUTTLE VERSION	60
REDUCER, SHUTTLE AND CREEPER VERSION	61
REDUCER CONTROL, SHUTTLE AND CREEPER VERSION	63
REDUCER, OVERDRIVE AND CREEPER VERSION	64
REDUCER CONTROL, OVERDRIVE AND CREEPER VERSION	66
REDUCER, UNDERDRIVE E CREEPER VERSION	67
REDUCER CONTROL, UNDERDRIVE E CREEPER VERSION	69
PTO SHAFT, STANDARD	70
PTO-CONTROL, STANDARD	71
PTO SHAFT, 540/750/1000 R.P.M.	72
PTO-CONTROL, 540/750/1000 R.P.M.	74
TRANSFER GEAR BOX - 4 WHEEL DRIVE	75
4 WHEEL DRIVE CONTROLS	76
REAR AXLE - DIFFERENTIAL	77
REAR AXLE - HOUSING	78
REAR AXLE - DIFFERENTIAL LOCK MECHANISM, MECHANICAL CONTROL	80
BRAKE AND CONTROLS	81
BRAKE AND CONTROLS	82
BRAKES - HANDBRAKE	84
BRAKES - MASTER CYLINDER	86
BRAKE CYLINDER	85

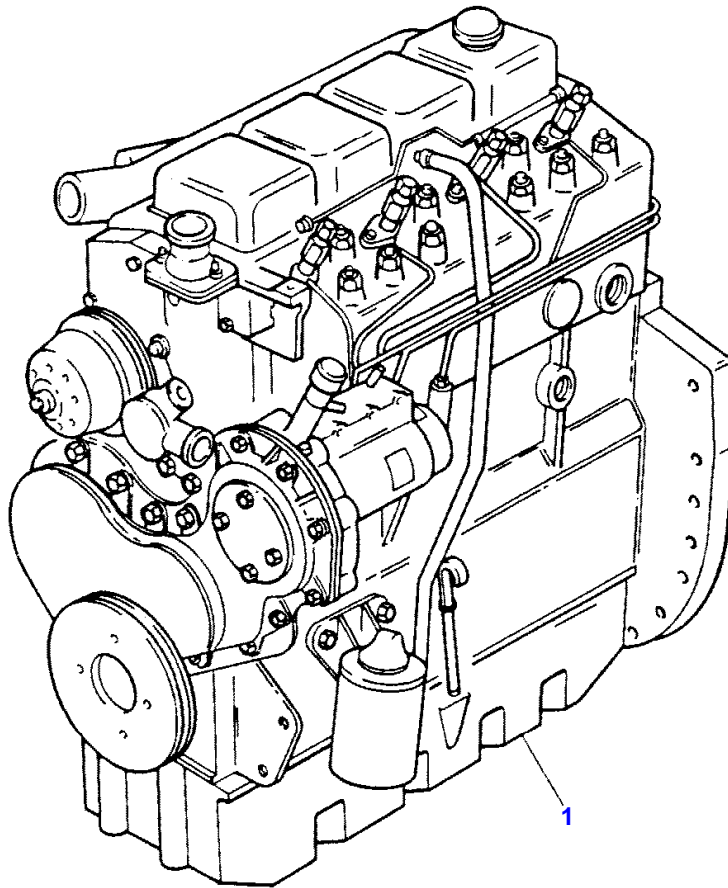
REAR WHEELS	87
FRONT AXLE 2 WHEEL DRIVE - AXLE SUPPORT	89
FRONT AXLE 4 WHEEL DRIVE - DIFFERENTIAL	90
FRONT AXLE 4 WHEEL DRIVE - DIFFERENTIAL	92
FRONT AXLE 4 WHEEL DRIVE - FINAL DRIVE	93
STEERING HYDRAULIC LINES	95
STEERING HYDRAULIC LINES	97
STEERING ORBITROL UNIT, 2 WHEEL DRIVE	99
STEERING ORBITROL UNIT, 4 WHEELS DRIVE	100
STEERING - STEERING PUMP, UP TO SERIAL NUMBER R31000	101
STEERING - STEERING PUMP, FROM SERIAL NO R31001.	102
STEERING CYLINDER - 2 WHEEL DRIVE	103
STEERING CYLINDER - 4 WHEEL DRIVE	104
FRONT WHEELS	105
HYDRAULIC LIFT PIPINGS, STANDARD VERSION	108
HYDRAULIC LIFT PIPINGS	109
HYDRAULIC LIFT PIPINGS, SINGLE HYDRAULIC LINES	111
HYDRAULIC PUMP, TUROLLA	112
HYDRAULIC PUMP, BOSCH	113
HYDRAULIC PUMP, BOSCH	114
HYDRAULIC PUMP, BOSCH	115
HYDRAULIC LIFT VALVE	116
HYDRAULIC LIFT - LIFT ARMS	117
HYDRAULIC LIFT - LIFT ARMS	118
HYDRAULIC LIFT CYLINDER, AUXILIARY	119
REAR CONTROLS - DRAFT AND POSITION	120
REAR CONTROLS - DRAFT AND POSITION	122
AUXILIARY HYDRAULIC VALVE LINES, TILL TYPE	124
AUXILIARY HYDRAULIC VALVE LINES, TILL TYPE	126
AUXILIARY HYDRAULICS VALVE, STANDARD	128
AUXILIARY HYDRAULICS VALVE, FLOATING	129
ACCESSORIES HYDRAULIC, ADDITIONAL POWER OUTLET UNIT	130
HITCH - SUPPORTS AND GUARDS, CAT 1	131
HITCH - SUPPORTS AND GUARDS, CAT 1	133
LINKAGE CAT 2	134
LINKAGE - LINK END	136
SHEET METAL - GRILLE	137
SHEET METAL - HOOD	138
SHEET METAL - PANELS	139
DECALS	140
DECALS	142
DECALS	145
FENDERS AND PLATFORM	146
FENDERS - FRONT, 2WHEEL DRIVE	149
FENDERS - FRONT, 4 WHEEL DRIVE	150
SAFETY FRAME	151
SEAT - GRAMMER	152
SEAT - GRAMMER	154
TRACTOR CAB - FRAME	156
TRACTOR CAB - ROOF	158
TRACTOR CAB - CAB DOOR	160
TRACTOR CAB - WINDOWS, FRONT	161
TRACTOR CAB - WINDOWS, REAR	162
TRACTOR CAB - CAB INSULATION	164
TRACTOR CAB - CAB INSULATION	165
TRACTOR CAB - ELECTRICAL EQUIPMENT	166
TRACTOR CAB - CAB INSULATION	167
TRACTOR CAB - AIR CONDITIONER, FROM SERIAL NO R 34153.	168
TRACTOR CAB - AIR CONDITIONER, FROM SERIAL NO R 34153.	169
LIGHTING EQUIPMENT	170
LIGHTING EQUIPMENT	173
LIGHTING EQUIPMENT - REAR	176
ELECTRONIC HARNESS - INSTRUMENT PANEL	174
SENSORS HARNESS	175
WEIGHT FRAME AND WEIGHTS	178
HITCH CONNECTIONS	179
REAR HOOK - ADJUSTABLE	180
REAR HOOK - ADJUSTABLE, STANDARD	181
REAR HOOK - ADJUSTABLE, STANDARD	184
-----	---

TABLE OF CONTENT

DRAWBAR	182
DRAWBAR	183
TRAILER BRAKES - PIPES AND FITTINGS	185
TOOL KIT	186

Engine
Moteur

L-0011-27M-A



L-0011-27M-A

0011327L

3311549B2

(01)

08/92

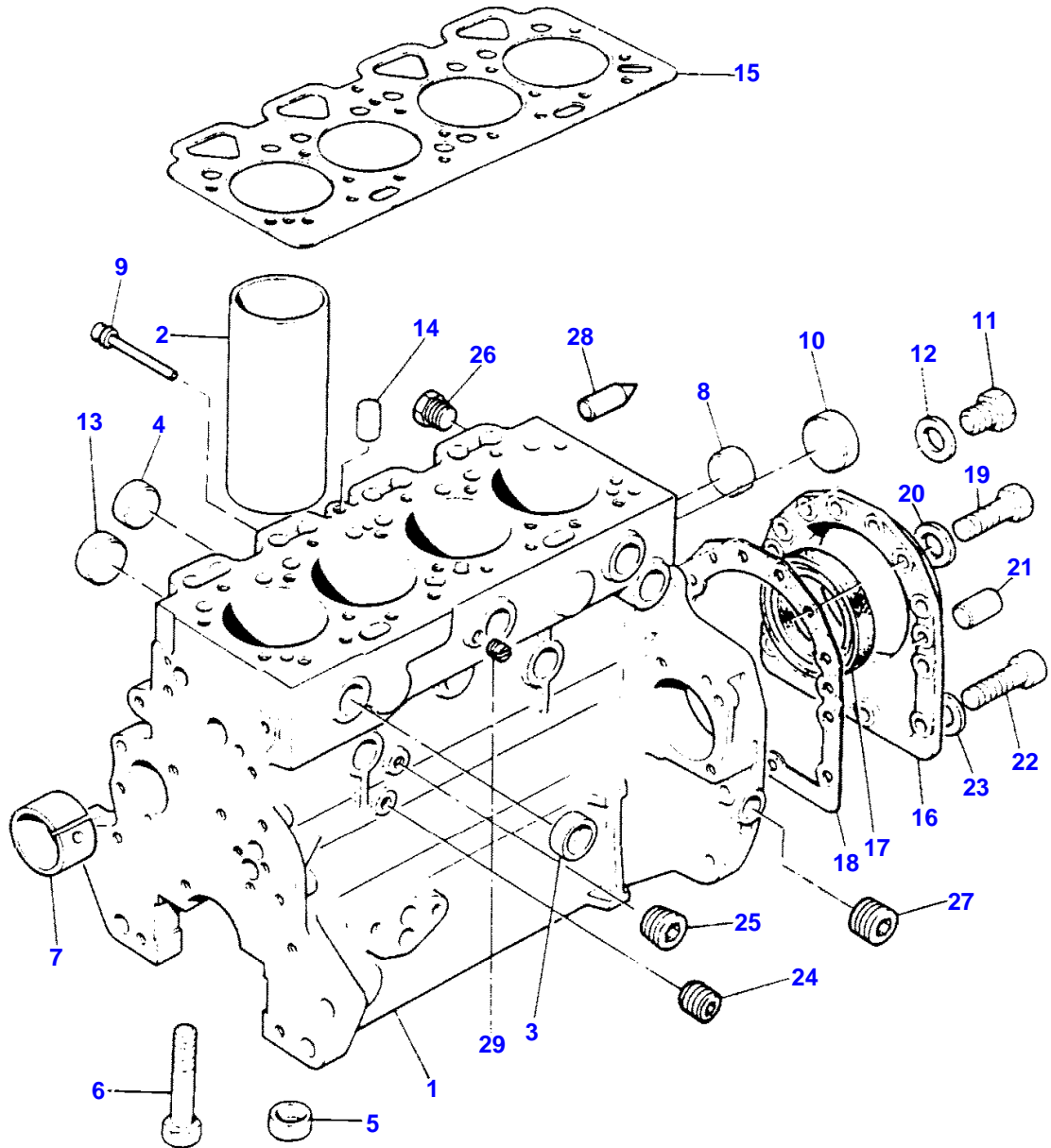
1

Item	Part Number	Description
1	3637747M91	(C) Engine
	3478238M91	(C) Short Engine

		(C) For MF 384F/384H/384S and Landini
		8560F/8560L Tractors Only

Cylinder Block
Bloc-cylindres

L-0560-28M-A



L-0560-28M-A

0560328L

3311549B2

(01)

08/92

2

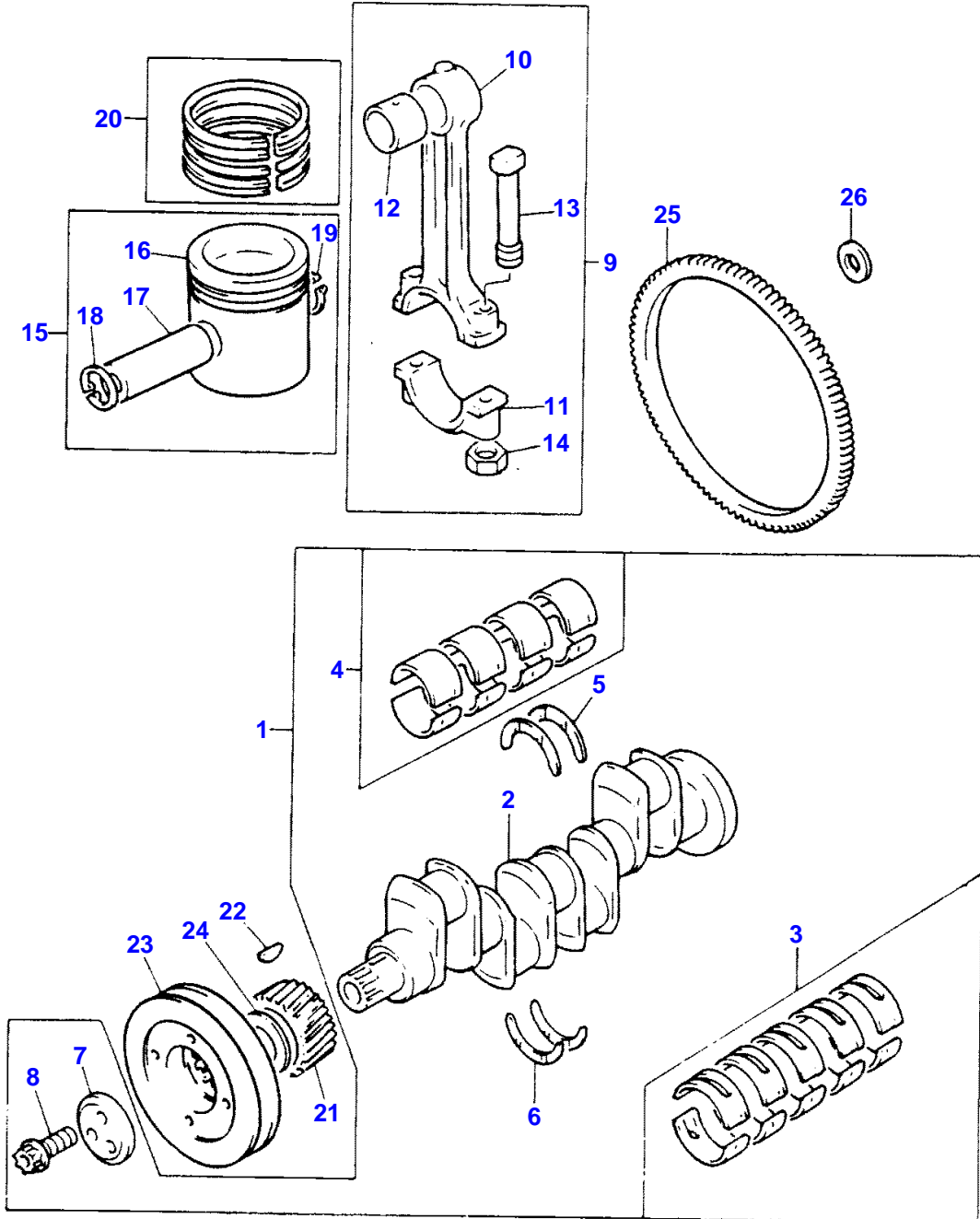
Item	Part Number	Qty	Description
1	3637491M91	1	Cylinder Block
2	3637333M1	4	(A) Liner (Incl. in Item 1)
	3637034M1		(B) Liner
3	731354M1	6	Plug (Incl. in Item 1)
4	746259M1	4	Plug (Incl. in Item 1)
5	733072M1	10	Ring (Incl. in Item 1)
6	1476108X1	10	Screw (Incl. in Item 1)
7	3638579M1	1	Bush (Incl. in Item 1) (Repairs and Replaces 3638093M1) (Repairs and Replaces 734883M1)
8	731354M1	2	Plug (Incl. in Item 1)
9	1476282X1	1	Plug (Incl. in Item 1)
10	733705M1	1	Plug (Incl. in Item 1)
11	376180X1	1	Plug (Incl. in Item 1)
12	3638664M1	1	Washer (Incl. in Item 1) (Repairs and Replaces 376196X1)
13	735869M1	4	Plug (Incl. in Item 1)
14	736868M1	1	Plug (Incl. in Item 1)
15	3638358M1	1	Head Gasket (Repairs and Replaces 3637341M1)
16	3638347M91	1	Housing (Repairs and Replaces 748163M91)
17	1447691M1	1	Seal (Incl. in Item 16)
18	740828M1	1	Joint
19	353519X1	10	Screw Unf
20	375703X1	10	Washer
21	731947M1	2	Dowel
22	357987X1	2	Bolt
23	745015M1	2	Washer
24	731996M1	1	Plug
25	733067M1	2	Plug
26	3637016M1	2	Plug
27	733067M1	1	Plug
28	745017M1	1	Pointer
29	748040M1	1	Plug

(A) Press Fit

(B) Slip Fit

Crankshaft, Pistons And Connecting Rods
Vilebrequin Pistons Et Bielles

L-0563-27M-A



L-0563-27M-A

0563327L

3311549B2

(01)

08/92

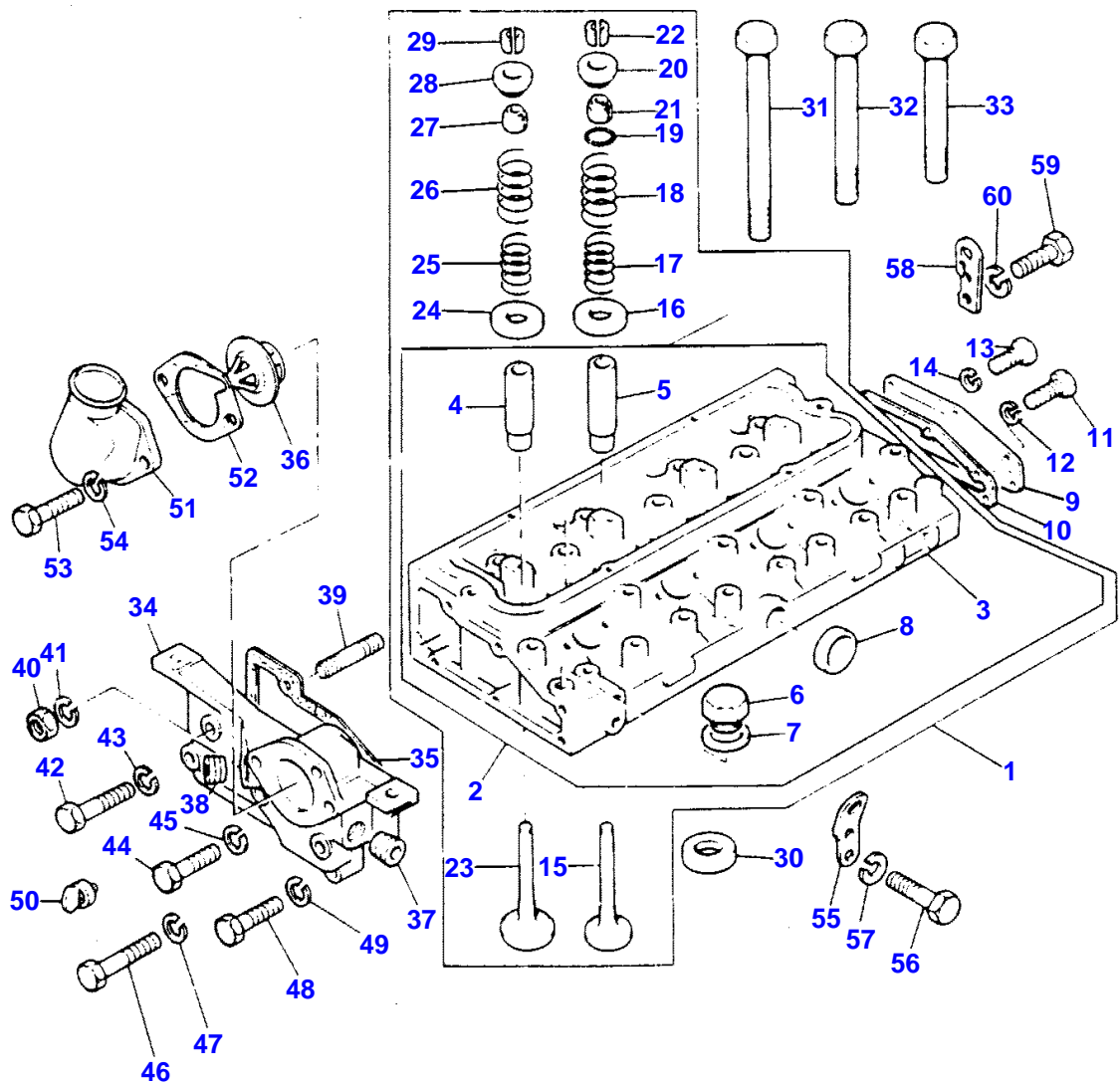
3

Item	Part Number	Qty	Description
1	3637401M91	1	Kit, Crankshaft
2		1	Crankshaft (Incl. in Item 1) (Not Serviced. Order Ref.1)
3	735168M91	1	(A) Kit, Bearing (Incl. in Item 1)
	735169M91		(A) Kit, Bearing (Thickness: (-)0.25MM) (Thickness: (-)0.010")
	735170M91		(A) Kit, Bearing (Thickness: (-)0.50MM) (Thickness: (-)0.020")
	735171M91		(A) Kit, Bearing (Thickness: (-)0.75MM) (Thickness: (-)0.030")
4	736950M91	1	(A) Kit, Bearing (Incl. in Item 1)
	736951M91		(A) Kit, Bearing (Thickness: (-)0.25MM) (Thickness: (-)0.010")
	736952M91		(A) Kit, Bearing (Thickness: (-)0.50MM) (Thickness: (-)0.020")
	736953M91		(A) Kit, Bearing (Thickness: (-)0.75MM) (Thickness: (-)0.030")
5	747128M1	2	Washer (Incl. in Item 1)
	735742M1		Washer (Thickness: (+)0.19MM) (Thickness: (+)0.0075")
6	747129M1	2	Washer (Incl. in Item 1)
	735743M1		Washer (Thickness: (+)0.19MM) (Thickness: (+)0.0075")
7	3638115M1	1	(D) Thrust Block
8	3638113M1	3	(D) Screw
9	3637034M91	4	Kit, Conrod
10		1	Conrod (Incl. in Item 9) (Not Serviced. Order Ref.9)
11		1	Cap (Incl. in Item 9) (Not Serviced. Order Ref.9)
12	733767M1	1	Bush (Incl. in Item 9)
13	3637029M1	2	Bolt (Incl. in Item 9)
14	3637030M1	2	Nut (Incl. in Item 9)
15	747049M91	4	(B) Kit, Piston
	747050M91	4	(C) Kit, Piston
16		1	Piston (Incl. in Item 15) (Not Serviced. Order Ref.15)
17		1	Pin (Incl. in Item 15) (Not Serviced. Order Ref.15)
18	376131X1	1	Clip (Incl. in Item 15)
19	376131X1	1	Clip (Incl. in Item 15)
20	747428M91	4	Kit, Piston Ring
21	734749M1	1	Gear (Teeth/Splines: 28)
22	2196X	1	Key
23	3637520M1	1	Pulley
24	742539M1	1	Washer
25	731008M1	1	Annular Gear (Teeth/Splines: 115)
26	745365M1	6	Washer (Repairs and Replaces 737514M1)

			(A) Pre-finished
			(B) Untopped
			(C) Pre-topped
			(D) Not Supplied With Assembly

Cylinder Head
Culasse

L-0566-31M-B



L-0566-31M-B

0566331L

3311549B2

(01)

08/92

5

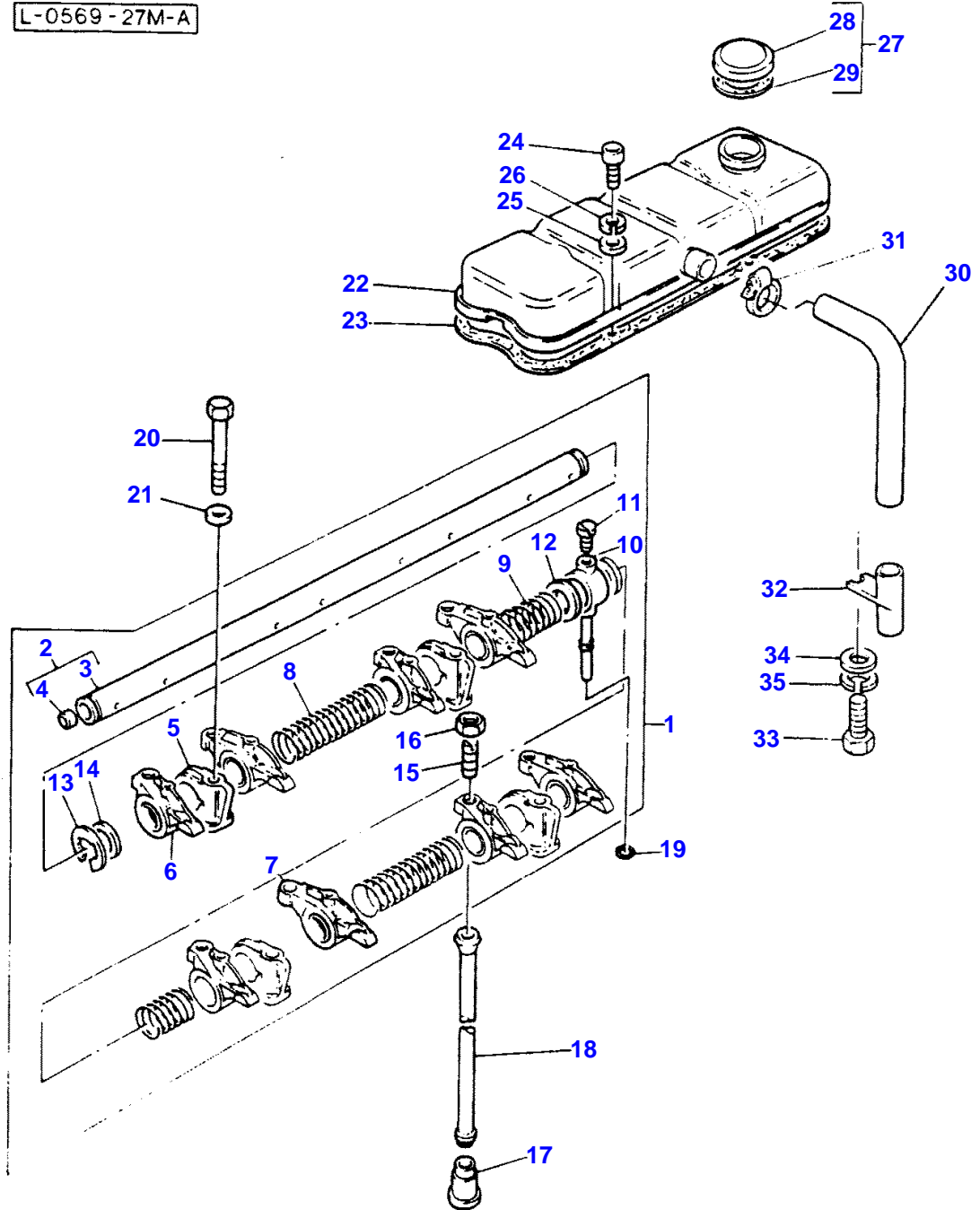
Item	Part Number	Qty	Description
1	3637486M91	1	Cylinder Head
2	3638333M91	1	Cylinder Head (Incl. in Item 1) (Repairs and Replaces 3637386M91) (Repairs and Replaces 3637783M91)
3		1	Cylinder Head (Incl. in Item 2) (Not Serviced. Order Ref.2)
4	3637056M1	4	Guide (Incl. in Item 2)
5	748420M1	4	Guide (Incl. in Item 2)
6	731410M1	1	Plug (Incl. in Item 2)
7	376178X1	1	Washer (Incl. in Item 2)
8	731354M1	1	Plug (Incl. in Item 2)
9	748368M1	1	Plate
10	3637039M1	1	Joint
11	353536X1	2	Screw Unf
12	1650486M1	2	Washer
13	353518X1	4	Screw Unf (Repairs and Replaces 353517X1)
14	1650484M1	4	Washer
15	741466M1	4	(D) Valve Exhaust
	747552M1	4	(C) Valve Exhaust (Incl. in Item 1)
16	733824M1	4	Washer (Incl. in Item 1)
17	735525M1	4	Spring (Incl. in Item 1)
18	735521M1	4	Spring (Incl. in Item 1)
19	1447652M1	4	Ring (Incl. in Item 1)
20	3637041M1	4	Seal (Incl. in Item 1)
21	746698M1	4	Cap (Incl. in Item 1)
22	736453M1	8	(A) Cotter (Incl. in Item 1)
23	739027M1	4	Valve Inlet (Incl. in Item 1)
24	733824M1	4	Washer (Incl. in Item 1)
25	735525M1	4	Spring (Incl. in Item 1)
26	735521M1	4	Spring (Incl. in Item 1)
27	3637041M1	4	Seal (Incl. in Item 1)
28	746698M1	4	Cap (Incl. in Item 1)
29	736453M1	8	(A) Cotter (Incl. in Item 1)
30	743097M1	4	Insert
31	747741M1	2	Screw
32	747742M1	12	Screw
33	747743M1	8	Screw
34	739379M3	1	Body
35	734695M1	1	Joint
36	1446127M91	1	Thermostat
37	3638546M1	1	Plug
38	3638546M1	1	Plug
39	1476304X1	1	Stud
40	375797X1	1	Nut
41	1650486M1	1	Washer
42	353531X1	1	Bolt Unf
43	1650484M1	1	Washer
44	353550X1	1	Bolt Unf
45	1650486M1	1	Washer
46	353518X1	2	Screw Unf
47	1650484M1	2	Washer
48	353544X1	2	Screw Unf
49	1650486M1	2	Washer
50	1853223M1	1	Pin
51		1	(B) Connection
52	735641M1	1	Gasket
53	353542X1	2	Bolt Unf
54	1650486M1	2	Washer
55	747835M1	1	Plate
56	16589X	2	Bolt
57	1650486M1	2	Washer
58	736678M1	1	Plate
59	16589X	2	Bolt
60	1650486M1	2	Washer

(A) Serviced In Pairs
(B) Not Supplied By Perkins Engines Limited.

(C) Remove and Fit 741466M1
(D) Fitted In Place Of Exhaust Valves Supplied With Cylinder Head Assembly

**Rocker Shaft
Axe Des Culbuteurs**

L-0569-27M-A



L-0569-27M-A

0569327L

3311549B2

(01)

08/92

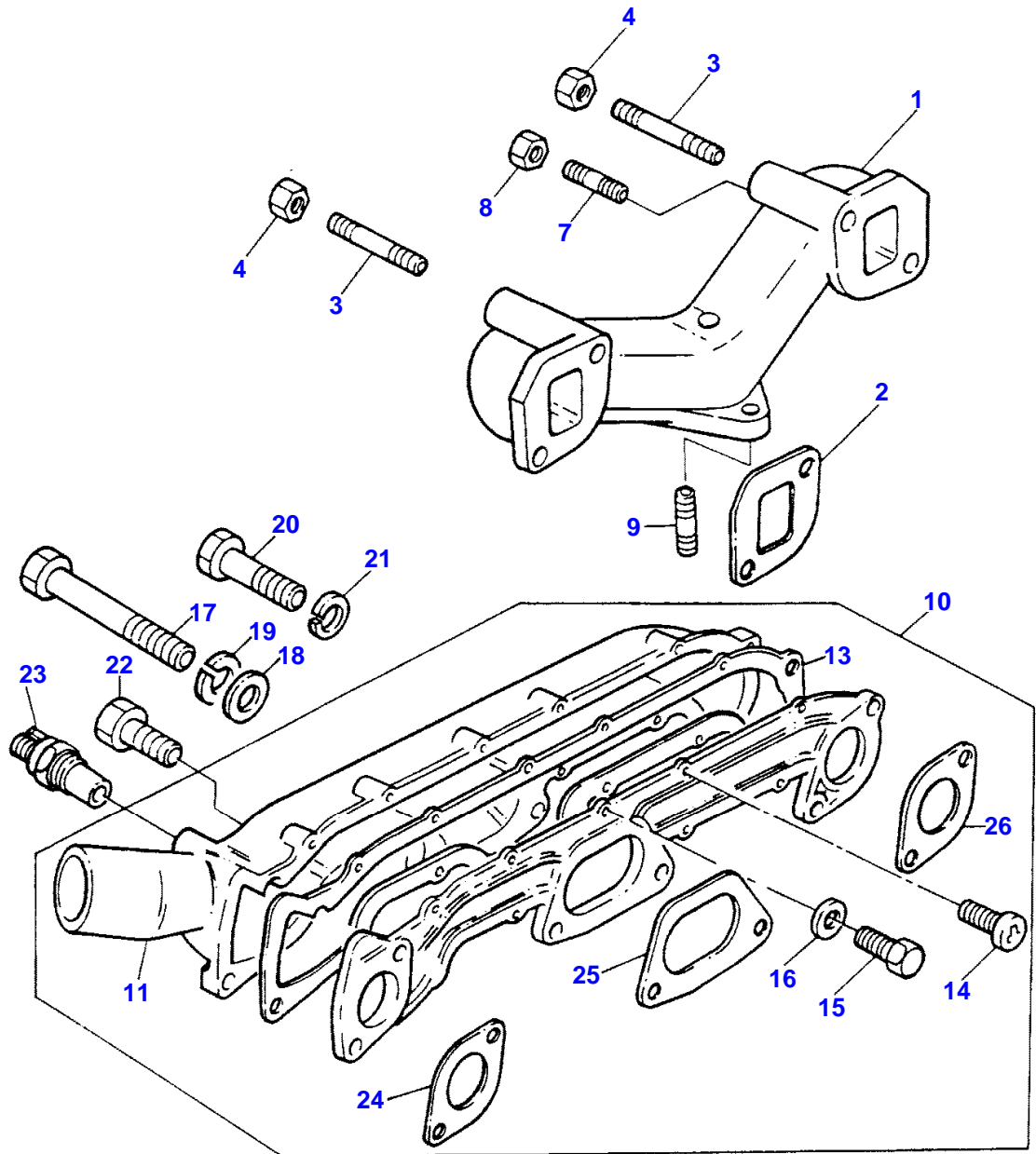
7

Item	Part Number	Qty	Description
1	3637391M91	1	Rocker Shaft (Repairs and Replaces 3637394M91)
2	3637395M91	1	Rocker Shaft (Incl. in Item 1)
3		1	Shaft (Incl. in Item 2) (Not Serviced. Order Ref.2)
4	731330M1	2	Plug (Incl. in Item 2)
5	3637063M1	4	Bracket (Incl. in Item 1) (Repairs and Replaces 746461M1)
6	733809M1	4	Lever (Incl. in Item 1) (R.H.)
7	3637072M91	4	Lever (Incl. in Item 1) (L.H.) (Repairs and Replaces 733810M1)
8	733811M1	2	Spring (Incl. in Item 1)
9	733812M1	2	Spring (Incl. in Item 1)
10	3638499M1	1	(B) Connection (Incl. in Item 1)
11	3637065M1	1	(C) Screw (Incl. in Item 1)
	3638500M1	1	(D) Screw (Incl. in Item 1)
12	739513M91	2	Shim (Incl. in Item 1)
13	3638547M1	2	Circlip (Incl. in Item 1)
14	747876M1	2	Washer (Incl. in Item 1)
15	731516M1	8	Bolt (Incl. in Item 1)
16	3638536M1	8	Nut (Incl. in Item 1)
17	740671M1	8	Tappet
18	733817M1	8	Rod
19	376525X1	1	Olive
20	361543X1	4	Bolt
21	1440275X1	4	Washer Metric
22	744097M91	1	Cover
23	3638461M1	1	Joint (Repairs and Replaces 746714M1)
24	376192X1	4	Bolt
25	344107X1	4	Washer
26	353441X1	4	Lock Washer
27	1851753M1	1	Cap
28		1	Cap (Incl. in Item 27) (Not Serviced. Order Ref.27)
29	1852773M1	1	Joint (Incl. in Item 27)
30	740497M1	1	Pipe
31	3638598M1	1	Clip (Repairs and Replaces 375790X1)
32	740498M91	1	Pipe
33	375829X1	1	Screw (Up to Serial/Engine No. U226708S)
	3637695M1	1	Screw (From Serial/Engine No. U226709S)
34	375703X1	1	(A) Washer
35	1650484M1	1	(A) Washer

 (A) Fitted Up To Engine Number U226708S
 (B) Was 3637064M1 Use
 3638499M1/3638500M1.
 (C) Used Only With 3637064M1
 (D) Used Only With 3638499M1

**Air Induction And Exhaust System
Admission D'air Et Echappement**

L-0305-13M - A



L-0305-13M-A

0305313L

3311549B2

(01)

08/92

8

Buy Now



Our support email:

ebooklibonline@outlook.com