

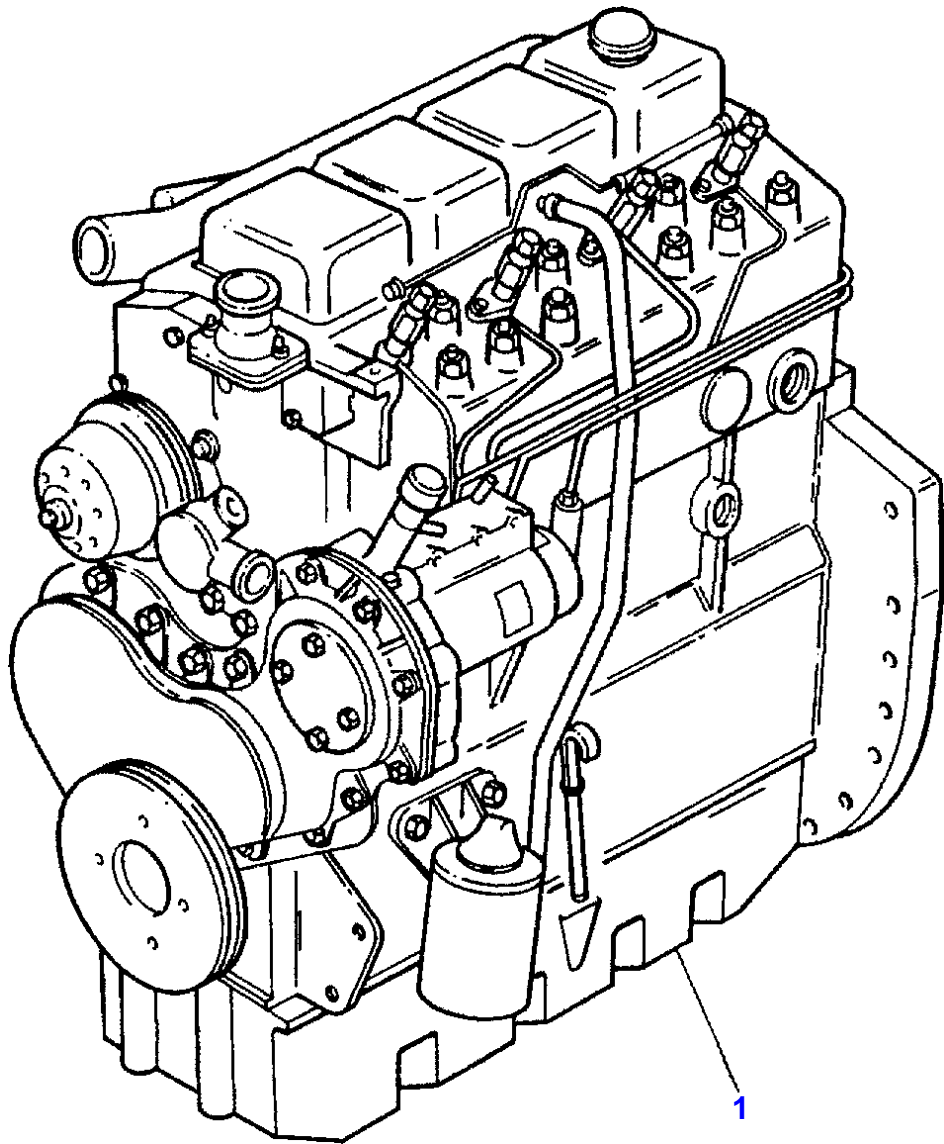
Page Title	Page Number
ENGINE - A4.236 ENGINE- .	1
SHORT ENGINE- . - A4.236 ENGINE- .	2
CYLINDER BLOCK - A4.236 ENGINE- .	3
CRANKSHAFT, PISTONS AND CONNECTING RODS - A4.236 ENGINE- .	5
CYLINDER HEAD - A4.236 ENGINE- .	7
ROCKER SHAFT - A4.236 ENGINE- .	12
TIMING GEAR AND CAMSHAFT - A4.236 ENGINE- .	14
BALANCER UNIT - A4.236 ENGINE- .	16
FUEL INJECTION EQUIPMENT (DIESEL) - A4.236 ENGINE- .	18
LUBRICATING OIL SUMP - A4.236 ENGINE- .	20
LUBRICATING OIL FILTER AND INTEGRAL COOLER - A4.236 ENGINE- .	23
WATER PUMP, THERMOSTAT AND HEAT EXCHANGER - A4.236 ENGINE- .	24
LOW PRESSURE FUEL SYSTEM - A4.236 ENGINE- .	27
AIR INDUCTION AND EXHAUST SYSTEM - A4.236 ENGINE- .	29
ALTERNATOR POSITIONER - A4.236 ENGINE- .	30
JOINTS AND GASKETS - A4.236 ENGINE- .	31
HEATER - COLD CLIMATE	32
STAND - WITH SPACER	33
ALTERNATOR-LUCAS - LUCAS- .	34
ALTERNATOR - VALEO TYPE	36
ALTERNATOR - ISKRA TYPE- .	38
STARTER-LUCAS - UP TO SERIAL NUMBER R35158- .	40
STARTER MOTOR - MARELLI TYPE- .	42
STARTER MOTOR - BOSCH	44
STARTER MOTOR - ISKRA TYPE- .	45
COOLING SYSTEM-ENGINE - FAN AND HOSES	47
COOLING SYSTEM-ENGINE - FAN AND HOSES	48
EXHAUST SYSTEM-HORIZONTAL	49
EXHAUST SYSTEM-HORIZONTAL - TRATTRICE- H- .	51
EXHAUST SYSTEM-VERTICAL - TRATTRICE- H- .	52
EXHAUST SYSTEM-VERTICAL	53
AIR FILTER-DRY - DUAL ELEMENT - DRY AIR CLEANER- .	54
FUEL SYSTEM-FUEL TANK AND ATTACHMENTS	57
FUEL SYSTEM-FUEL FILTER	59
COOLING SYSTEM - TRATTRICE- H- .	61
COOLING SYSTEM - RADIATOR AND BRACKET- .	66
THROTTLE CONTROLS	70
INSTRUMENT PANEL AND INSTRUMENTS	72
INSTRUMENT PANEL AND INSTRUMENTS - TRATTRICE- H- .	76
INSTRUMENT PANEL AND INSTRUMENTS	79
INSTRUMENT PANEL AND INSTRUMENTS - TRATTRICE- H- .	80
ELECTRICAL WIRING	81
ELECTRICAL WIRING - TRATTRICE- H- .	86
ELECTRONIC HARNESS-INSTRUMENT PANEL	90
SENSORS HARNESS	91
LIGHTING EQUIPMENT-REAR	92
ELECTRICAL WIRING-TRACTOR CAB	93
LIGHTING EQUIPMENT-REAR - TRATTRICE- H- .	94
LIGHTING EQUIPMENT-REAR - TRATTRICE- H- .	95
LIGHTING EQUIPMENT-REAR - TRATTRICE- H- .	96
LIGHTING EQUIPMENT	97
LIGHTING EQUIPMENT - TRATTRICE- H- .	102
LIGHTING EQUIPMENT	105
BATTERY	106
CLUTCH-DUAL CLUTCH - LUK - 11- .	108
CLUTCH-DUAL CLUTCH - O.M.G. - 11- .	110
CLUTCH PEDAL AND LINKAGE	112
CENTRE AXLE HOUSING AND TRANSMISSION HOUSING	115
CENTRE AXLE HOUSING AND TRANSMISSION HOUSING	116
12 SPEED TRANSMISSION - STANDARD VERSION	118
12 SPEED TRANSMISSION - STANDARD VERSION	121
SHIFT LEVERS-12 SPEED TRANSMISSION	124
SHIFT LEVERS-12 SPEED TRANSMISSION	126
GEAR BOX - FOR SHUTTLE VERSION ONLY.	128
REDUCER - FOR SHUTTLE VERSION ONLY.	129
REDUCER CONTROL - OVERDRIVE AND SHUTTLE VERSION	132

TABLE OF CONTENT

REDUCER - OVERDRIVE AND SHUTTLE VERSION	134
REDUCER CONTROL - OVERDRIVE AND UNDERDRIVE VERSION	138
REDUCER - OVERDRIVE AND UNDERDRIVE VERSION	140
REDUCER CONTROL - OVERDRIVE AND CREEPER VERSION	144
REDUCER - OVERDRIVE AND CREEPER VERSION	146
REDUCER CONTROL - UNDERDRIVE AND SHUTTLE VERSION	149
REDUCER - UNDERDRIVE AND SHUTTLE VERSION	150
REDUCER CONTROL - UNDERDRIVE E CREEPER VERSION	154
REDUCER - UNDERDRIVE E CREEPER VERSION	155
REDUCER CONTROL - SHUTTLE AND CREEPER VERSION	158
REDUCER - SHUTTLE AND CREEPER VERSION	159
PTO SHAFT - 540 R.P.M.- .	162
PTO SHAFT - 540 R.P.M.- .	164
PTO SHAFT - 540/750/1000 R.P.M.- .	166
PTO SHAFT - 540/750/1000 R.P.M.- .	169
PTO-CONTROL - 540 R.P.M.- .	171
PTO-CONTROL - 540/750/1000 R.P.M.- .	172
TRANSFER GEAR BOX-4 WHEEL DRIVE	174
4 WHEEL DRIVE CONTROLS	176
REAR AXLE-DIFFERENTIAL	177
REAR AXLE-DIFFERENTIAL - TRATTRICE- H- .	179
REAR AXLE-HOUSING	181
REAR AXLE-HOUSING - TRATTRICE- H- .	185
REAR AXLE-DIFFERENTIAL LOCK MECHANISM - MECHANICAL CONTROL- .	188
BRAKE AND CONTROLS	189
BRAKE AND CONTROLS	191
BRAKE AND CONTROLS - TRATTRICE- H- .	193
BRAKES-HANDBRAKE	195
BRAKE CYLINDER	197
BRAKES-MASTER CYLINDER	199
REAR WHEELS	200
FRONT WHEELS	203
FRONT WHEELS - TRATTRICE- H- .	207
FRONT AXLE 2 WHEEL DRIVE-AXLE SUPPORT	208
FRONT AXLE 4 WHEEL DRIVE-DIFFERENTIAL	211
FRONT AXLE 4 WHEEL DRIVE-DIFFERENTIAL	214
FRONT AXLE 4 WHEEL DRIVE-FINAL DRIVE	216
FRONT AXLE 4 WHEEL DRIVE-DIFFERENTIAL	218
FRONT AXLE 4 WHEEL DRIVE-DIFFERENTIAL	221
FRONT AXLE 4 WHEEL DRIVE-FINAL DRIVE	224
FRONT AXLE 4 WHEEL DRIVE-DIFFERENTIAL - TRATTRICE- H- .	227
FRONT AXLE 4 WHEEL DRIVE-DIFFERENTIAL - TRATTRICE- H- .	230
FRONT AXLE 4 WHEEL DRIVE-FINAL DRIVE - TRATTRICE- H- .	233
STEERING ORBITROL UNIT - 2 WHEEL DRIVE	236
STEERING ORBITROL UNIT - 4 WHEELS DRIVE	238
STEERING HYDRAULIC LINES	240
STEERING HYDRAULIC LINES - TRATTRICE- H- .	243
STEERING HYDRAULIC LINES	245
STEERING HYDRAULIC LINES - TRATTRICE- H- .	248
STEERING CYLINDER-4 WHEEL DRIVE	250
STEERING CYLINDER-4 WHEEL DRIVE	251
STEERING CYLINDER-4 WHEEL DRIVE - TRATTRICE- H- .	252
STEERING CYLINDER-2 WHEEL DRIVE	253
STEERING-STEERING PUMP - UP TO SERIAL NUMBER R31000- .	255
STEERING-STEERING PUMP - FROM SERIAL NO- R31001.	256
HYDRAULIC LIFT PIPINGS - STANDARD VERSION	257
HYDRAULIC LIFT PIPINGS	260
HYDRAULIC LIFT PIPINGS - SINGLE HYDRAULIC LINES	263
HYDRAULIC PUMP - BOSCH	265
HYDRAULIC PUMP - TUROLLA	266
HYDRAULIC PUMP - BOSCH	267
HYDRAULIC PUMP - TUROLLA	269
HYDRAULIC LIFT VALVE	270
HYDRAULIC LIFT-LIFT ARMS	272
HYDRAULIC LIFT-LIFT ARMS	274
REAR CONTROLS-DRAFT AND POSITION	276
REAR CONTROLS-DRAFT AND POSITION	279
REAR CONTROLS-DRAFT AND POSITION - TRATTRICE- H- .	281

TABLE OF CONTENT

HYDRAULIC LIFT CYLINDER - HYDRAULIC LIFT CYLINDER,WITH 1'AND 2'AUXIL.HYDRAUL .VAL	283
HYDRAULIC LIFT CYLINDER - HYDRAULIC LIFT CYLINDER,WITH 1'AND 2'AUXIL.HYDRAUL .VAL	285
AUXILIARY HYDRAULIC VALVE LINES - TILL TYPE	287
AUXILIARY HYDRAULIC VALVE LINES - TILL TYPE	290
AUXILIARY HYDRAULIC VALVE LINES - WITH AUXILIARY HYDRAULIC VALVE CLEARANCE- .	293
AUXILIARY HYDRAULIC VALVE LINES - WITH AUXILIARY HYDRAULIC VALVE CLEARANCE- .	294
AUXILIARY HYDRAULIC VALVE LINES - WITH AUXILIARY HYDRAULIC VALVE CLEARANCE- .	295
AUXILIARY HYDRAULIC VALVE LINES - WITH AUXILIARY HYDRAULIC VALVE CLEARANCE- .	298
AUXILIARY HYDRAULICS VALVE - TILL TYPE STANDARD- .	301
AUXILIARY HYDRAULICS VALVE - TILL TYPE FLOATING- .	303
AUXILIARY HYDRAULIC VALVE LINES- HIDROIRMA - HIDROIRMA TYPE FROM SERIAL N.B08001- .	305
AUXILIARY HYDRAULIC VALVE LINES- HIDROIRMA - HIDROIRMA TYPE FROM SERIAL N.B08001- .	307
AUXILIARY HYDRAULIC VALVE LINES- HIDROIRMA - HIDROIRMA TYPE FROM SERIAL N.B08001- .	308
LINKAGETOP LINK - HIDROIRMA TYPE FROM SERIAL N.B08001- .	310
PLATFORM AUTOMATIC HITCHWITH REMOTE CONTROL - HIDROIRMA TYPE FROM SERIAL N.B08001- .	311
CONTROL VALVE-VALVE - HIDROIRMA TYPE FROM SERIAL N.B08001- .	312
ACCESSORIES HYDRAULIC - ADDITIONAL POWER OUTLET UNIT	313
LINKAGE CAT 2 - UP TP SERIAL NUMBER- .	314
LINKAGE CAT 2 - UP TP SERIAL NUMBER- .	317
LINKAGE CAT 2	320
LINKAGE CAT 2 - TRATTRICE- H- .	323
LINKAGE CAT 2	326
LINKAGE-LINK END	329
SHEET METAL-GRILLE	330
SHEET METAL-HOOD	331
SHEET METAL-PANELS	333
DECALS	334
DECALS	337
DECALS	341
FENDERS - FRONT - 2WHEEL DRIVE	343
FENDERS - FRONT - 4 WHEEL DRIVE	344
FENDERS AND PLATFORM	346
FENDERS AND PLATFORM - TRATTRICE- H- .	351
FENDERS AND PLATFORM - TRATTRICE- H- .	353
SAFETY FRAME	355
SAFETY FRAME	356
ROTATING LIGHT	357
SEAT-GRAMMER	359
TRACTOR CAB-FRAME	362
TRACTOR CAB-ROOF	365
TRACTOR CAB-CAB DOOR	368
TRACTOR CAB-WINDOWS - FRONT- .	370
TRACTOR CAB-WINDOWS - REAR	372
TRACTOR CAB-CAB INSULATION	375
TRACTOR CAB-CAB INSULATION	376
TRACTOR CAB-ELECTRICAL EQUIPMENT	378
TRACTOR CAB-CAB INSULATION	379
TRACTOR CAB-AIR CONDITIONER - FROM SERIAL NO R 34153.	381
TRACTOR CAB-AIR CONDITIONER - FROM SERIAL NO R 34153.	384
TRAILER BRAKES-PIPES AND FITTINGS	385
WEIGHT FRAME AND WEIGHTS	387
REAR HOOK-ADJUSTABLE	388
DRAWBAR	389
DRAWBAR	390
REAR HOOK-ADJUSTABLE - STANDARD	391
TOOL KIT	392



MASSEY FERGUSON

MF 374 F - H TRACTOR, ->| 30/09/93 - 3311557

3311557

ENGINE - A4.236 ENGINE- .

1

Item	Part Number	Qty	Description	Comments
				A4.236 ENGINE- .
1	3553131M91	1	Engine	Repairs and replaces LD31202

Thank you so much for reading.
Please click the “Buy Now!”
button below to download the
complete manual.



After you pay.

You can download the most
perfect and complete manual in
the world immediately.

Our support email:

ebooklibonline@outlook.com