

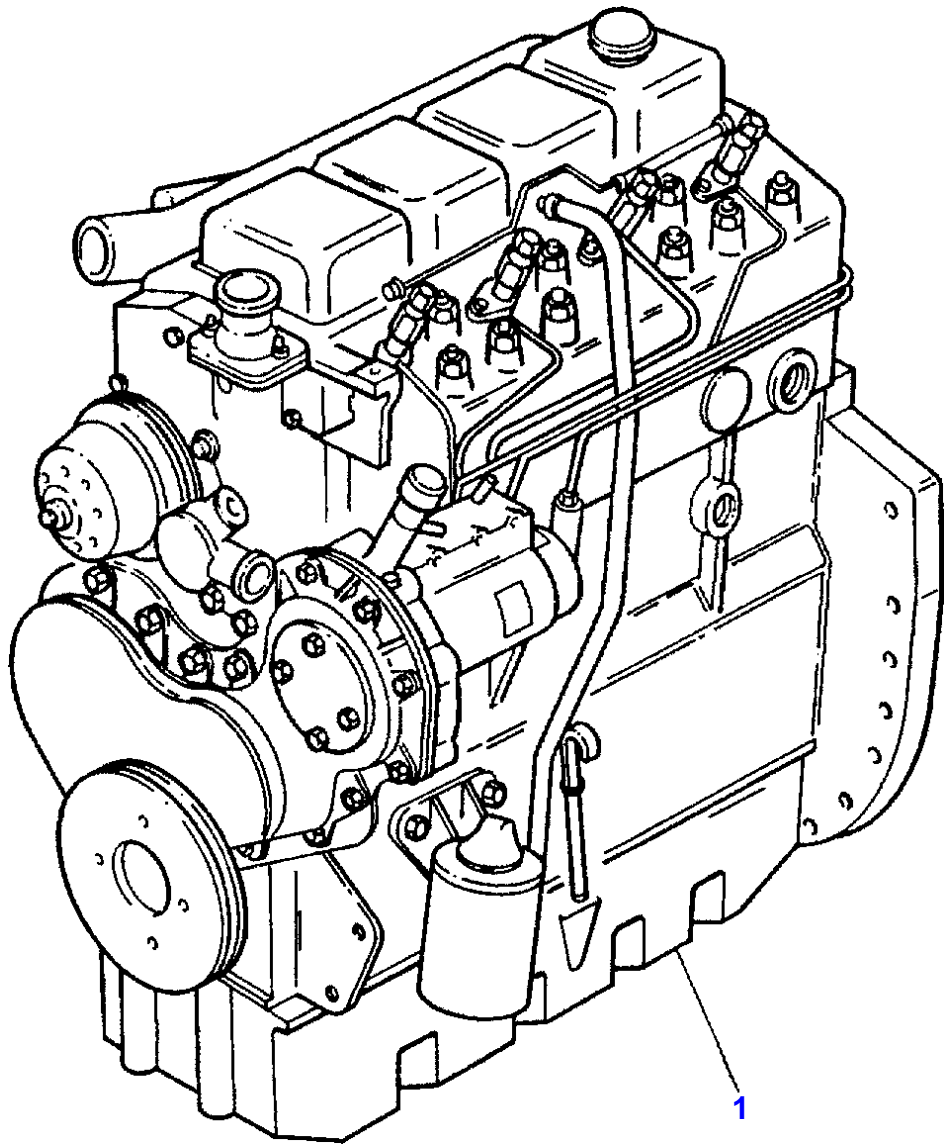
Page Title	Page Number
ENGINE ASSEMBLY-A4.236 ENGINE	1
SHORT ENGINE-A4.236 ENGINE	2
CYLINDER BLOCK-A4.236 ENGINE	3
CRANKSHAFT, PISTONS AND CONNECTING RODS-A4.236 ENGINE	4
CYLINDER HEAD-A4.236 ENGINE	5
ROCKER SHAFT-A4.236 ENGINE	6
TIMING GEAR AND CAMSHAFT-A4.236 ENGINE	7
BALANCER UNIT-A4.236 ENGINE	8
FUEL INJECTION EQUIPMENT-A4.236 ENGINE	9
LUBRICATING OIL SUMP-A4.236 ENGINE	10
LUBRICATING OIL FILTER AND INTEGRAL COOLER-A4.236 ENGINE	11
WATER PUMP, THERMOSTAT AND HEAT EXCHANGER-A4.236 ENGINE	12
FUEL SYSTEM AND FILTER-A4.236 ENGINE	13
AIR INDUCTION AND EXHAUST SYSTEM-A4.236 ENGINE	14
ALTERNATOR POSITIONER-A4.236 ENGINE	15
JOINTS AND GASKETS-A4.236 ENGINE	16
HEATER KIT-COLD CLIMATE	17
ALTERNATOR	18
ALTERNATOR-VALEO TYPE	19
ALTERNATOR-ISKRA TYPE	20
STARTER MOTOR-MARELLI TYPE	21
STARTER MOTOR-BOSCH	22
STARTER MOTOR-ISKRA TYPE	23
COOLING SYSTEM-FAN AND HOSES	24
COOLING SYSTEM-RADIATOR AND BRACKET	25
FUEL SYSTEM	26
FUEL TANK	27
DRY AIR FILTER-DRY AIR CLEANER	28
EXHAUST SYSTEM	29
EXHAUST SYSTEM	30
THROTTLE CONTROLS	31
THROTTLE CONTROLS	32
BATTERY	33
INSTRUMENT PANEL	34
INSTRUMENT PANEL	35
ELECTRONIC HARNESS	36
ELECTRICAL WIRING-FRONT	37
ELECTRICAL WIRING-REAR	38
LIGHTING EQUIPMENT	39
LIGHTING EQUIPMENT	40
CLUTCH-O.M.G. - 11	41
CLUTCH-LUK - 11	42
CLUTCH-O.M.G. - 12	43
CLUTCH-LUK - 12	44
CLUTCH PEDAL AND LINKAGE	45
LOWER CLUTCH P.T.O.	46
CENTRE AXLE HOUSING AND TRANSMISSION HOUSING	47
CENTRE AXLE HOUSING AND TRANSMISSION HOUSING	48
TRANSMISSION	49
TRANSMISSION	50
SHIFT LEVERS	51
GEAR BOX-FOR SHUTTLE VERSION ONLY.	52
REDUCER OPTION-FOR SHUTTLE VERSION ONLY.	53
GEAR BOX-FOR SHUTTLE VERSION ONLY.	54
GEAR BOX-FOR SPECIAL OPTIONS VERSION ONLY	55
REDUCER OPTION-OVERDRIVE AND SHUTTLE VERSION	56
REDUCER OPTION-OVERDRIVE AND UNDERDRIVE VERSION	57
REDUCER OPTION-OVERDRIVE AND CREEPER VERSION	58
REDUCER OPTION-UNDERDRIVE AND SHUTTLE VERSION	59
REDUCER OPTION-UNDERDRIVE E CREEPER VERSION	60
REDUCER OPTION-SHUTTLE AND CREEPER VERSION	61
PTO SHAFT-STANDARD TYPE	62
PTO SHAFT-540/750/1000 R.P.M.	63
PTO-CONTROL-STANDARD TYPE	64
PTO-CONTROL-540/750/1000 R.P.M.	65
TRANSFER GEAR BOX AND DRIVE SHAFT:	66

TABLE OF CONTENT

4 WHEEL DRIVE CONTROLS	67
REAR AXLE	68
REAR AXLE	69
DIFFERENTIAL LOCK CONTROLS	70
DIFFERENTIAL LOCK CONTROLS	71
BRAKE AND CONTROLS-PEDALS	72
BRAKE AND CONTROLS-PIPINGS	73
BRAKE AND CONTROLS	74
BRAKES	75
MASTER CYLINDER-BRAKE PUMP	76
BRAKE CYLINDER	77
TRAILER BRAKES-FRANCE TYPE	78
TRAILER BRAKES-ITALY TYPE	79
REAR WHEELS	80
FRONT WHEELS	81
FRONT AXLE 2 WHEEL DRIVE	82
FRONT AXLE 4 WHEEL DRIVE	83
FRONT AXLE 4 WHEEL DRIVE-WITH DISCBRAKES	84
FRONT AXLE 4 WHEEL DRIVE	85
FRONT AXLE 4 WHEEL DRIVE	86
FRONT AXLE 4 WHEEL DRIVE	87
STEERING HYDRAULIC LINES	88
STEERING HYDRAULIC LINES	89
STEERING ORBITROL UNIT-2 WHEEL DRIVE	90
STEERING ORBITROL UNIT-4 WHEELS DRIVE	91
STEERING-PUMP-TUROLLA	92
STEERING-PUMP-BOSCH	93
STEERING CYLINDER	94
STEERING CYLINDER	95
HYDRAULIC EQUIPMENT-HIDRAULIC LINES STD.	96
HYDRAULIC EQUIPMENT-SINGLE HYDRAULIC LINES	97
HYDRAULIC EQUIPMENT-SINGLE HYDRAULIC LINES	98
HYDRAULIC PUMP-TUROLLA	99
HYDRAULIC PUMP-BOSCH	100
HYDRAULIC PUMP-TUROLLA	101
HYDRAULIC PUMP-BOSCH	102
HYDRAULIC PUMP-BOSCH	103
HYDRAULIC PUMP-TUROLLA	104
HYDRAULIC LIFT VALVE-WITH MECANICS RISER	105
HYDRAULIC LIFT-WITH MECANICS RISER	106
HYDRAULIC LIFT-WITH ELECTRONIC LIFT	107
HYDRAULIC LIFT	108
ELECTRICAL WIRING-WITH ELECTRONIC LIFT	109
ELECTRICAL WIRING-WITH ELECTRONIC LIFT	110
ELECTRICAL WIRING-CONTROL PANEL ELECTRONIC LIFT	111
HYDRAULIC LIFT VALVE-WITH ELECTRONIC LIFT	112
HYDRAULIC LIFT CYLINDER	113
MECHANICAL CONTROL LIFT	114
MECHANICAL CONTROL LIFT-INTERMIX	115
MECHANICAL CONTROL LIFT	116
AUXILIARY HYDRAULIC VALVE LINES-TILL TYPE	117
AUXILIARY HYDRAULIC VALVE LINES-TILL TYPE	118
AUXILIARY HYDRAULIC VALVE LINES	119
AUXILIARY HYDRAULICS-CONTROL FOR 1.0 DISTRIBUTOR	120
AUXILIARY HYDRAULICS-CONTROL WITH 1.0 AND 2.0 DISTRIBUTOR.	121
AUXILIARY HYDRAULICS VALVE STANDARD-FROM SERIAL N.B32127	122
AUXILIARY HYDRAULICS-CONTROL FOR 3.0 DISTRIBUTOR TILL	123
AUXILIARY HYDRAULICS VALVE STANDARD-UP TO SERIAL N.B32126	124
AUXILIARY HYDRAULICS FLOATING-FROM SERIAL N.B32127	125
AUXILIARY HYDRAULICS VALVE STANDARD-FROM SERIAL N.B32127	126
AUXILIARY HYDRAULICS FLOATING-UP TO SERIAL N.B32126	127
AUXILIARY HYDRAULICS FLOATING-FROM SERIAL N.B32127	128
AUXILIARY HYDRAULIC VALVE LINES-WITH 1.0 DISTRIBUTOR	129
AUXILIARY HYDRAULIC VALVE LINES-WITH 2.0 DISTRIBUTORES	130
AUXILIARY HYDRAULIC VALVE LINES-WITH 3.0 DISTRIBUTORES	131
AUXILIARY HYDRAULIC VALVE LINES-WITH 4.0 DISTRIBUTORES	132
AUXILIARY HYDRAULICS-CONTROL WITH 1.0 AND 2.0 DISTRIBUTOR.	133
AUXILIARY HYDRAULICS-CONTROL FOR 3.0 DISTRIBUTOR - HIDROIRMA	134

TABLE OF CONTENT

AUXILIARY HYDRAULICS-CONTROL FOR 4.0 DISTRIBUTOR -HIDROIRMA	135
CONTROL VALVE-HYDROIRMA TYPE FOR REAR CONTROL VALVE	136
CONTROL VALVE-HYDROIRMA TYPE FOR REAR AND FRONT CONTROL VAL	137
AUXILIARY HYDRAULICS VALVE STANDARD-HYDROIRMA TYPE STANDARD	138
AUXILIARY HYDRAULICS VALVE STANDARD-HYDROIRMA TYPE STANDARD	139
AUXILIARY HYDRAULICS FLOATING-HYDROIRMA TYPE FLOATING	140
AUXILIARY HYDRAULICS FLOATING-HYDROIRMA TYPE FLOATING	141
CONTROLS AUXILIARY HYDRAULICS-APPLICATION SUPPLEMENTARY	142
CONTROLS AUXILIARY HYDRAULICS-APPLICATION SUPPLEMENTARY	143
LINKAGE	144
LINKAGE-QUICK ATTACH	145
LINKAGE-QUICK ATTACH	146
LINKAGE-QUICK ATTACH-DETAILS	147
LINKAGE-QUICK ATTACH	148
SHEET METAL	149
SIDE COVER-SHIELD FAN	150
SHEET METAL	151
SHEET METAL	152
SHEET METAL-CLADDING PLATFORM	153
SHEET METAL-CLADDING PLATFORM	154
DECALS	155
DECALS	156
DECALS	157
SUPPORTS PLATFORM	158
SHEET METAL-CLADDING PLATFORM	159
SHEET METAL-CHASSIS AND SUSPENSION	160
FENDERS - FRONT-4 WHEEL DRIVE	161
SEAT	162
SEAT	163
SEAT	164
SEAT	165
DRIVER SEAT	166
TRACTOR CAB	167
TRACTOR CAB-FRONT - WINDSCREEN	168
TRACTOR CAB-LOWER FIXED COMPONENTS	169
TRACTOR CAB	170
TRACTOR CAB-REAR AND BRACKET	171
TRACTOR CAB-LEFT SIDE - RIGHT SIDE	172
TRACTOR CAB-OUTSIDE AND INTERNAL	173
TRACTOR CAB	174
TRACTOR CAB	175
TRACTOR CAB	176
TRACTOR CAB	177
ROTATING LIGHT	178
WEIGHT FRAME AND WEIGHTS W	179
REAR HOOK	180
REAR HOOK-STANDARD TYPE	181
DRAWBAR-HEAVY DUTY	182
REAR HOOK-WITH 6 POSITIONS	183
REAR HOOK	184
TOOL KIT	185



MASSEY FERGUSON

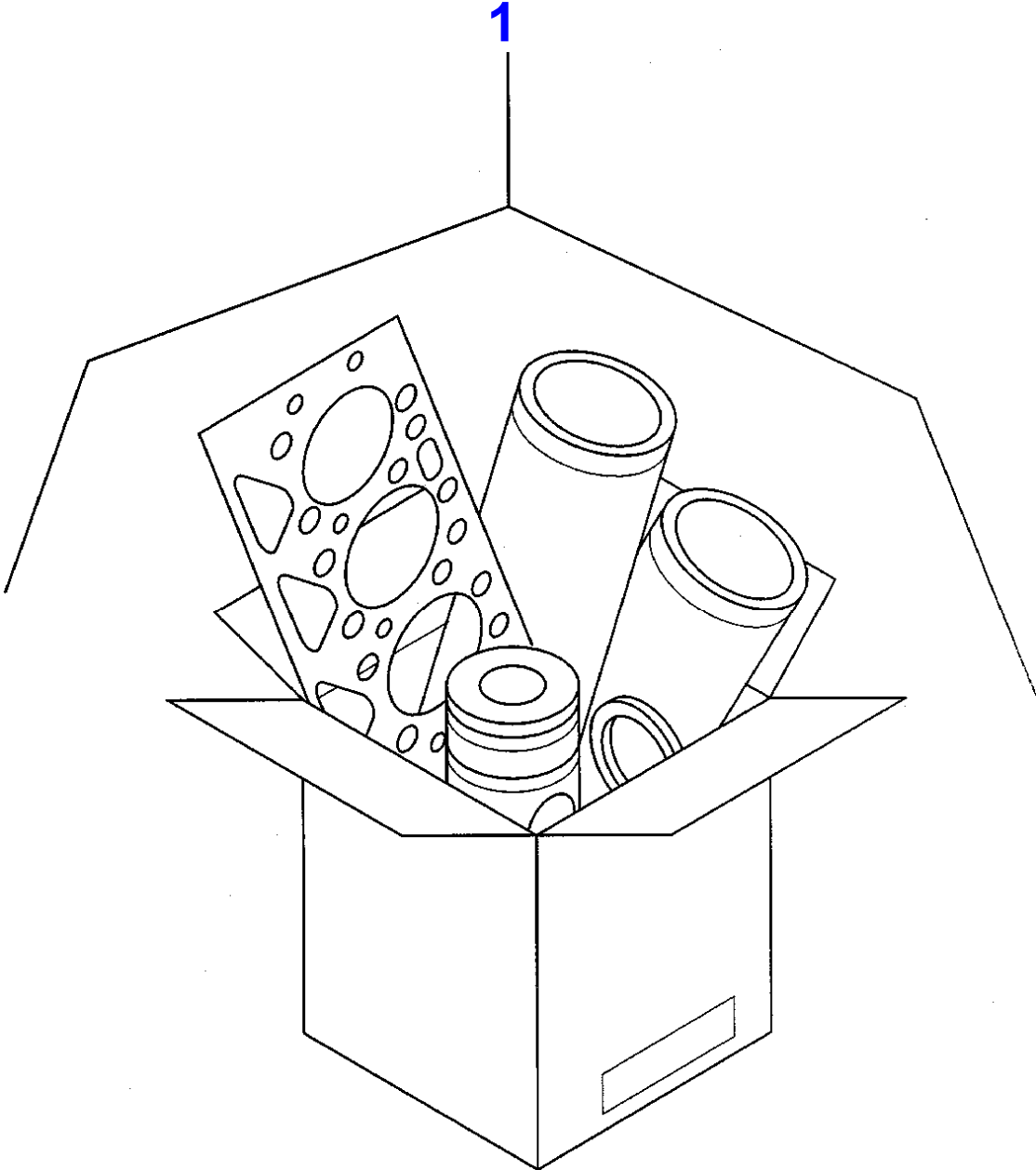
MF 374 AQ CAB TRACTOR - 3540108

3540108

ENGINE ASSEMBLY-A4.236 ENGINE

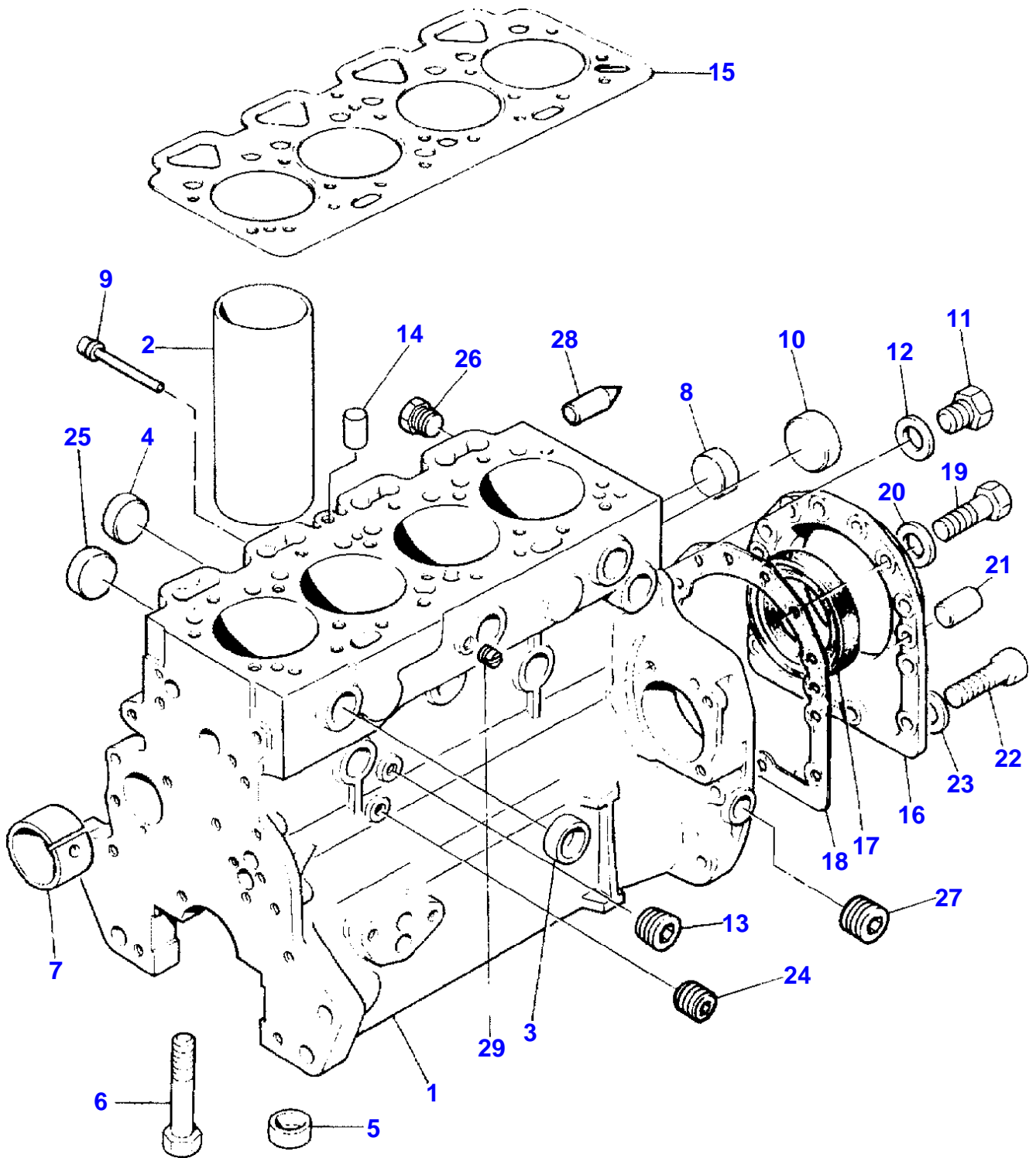
1

Item	Part Number	Qty	Description	Comments
1	3553131M91	1	Engine	"LD31202"PK



SHORT ENGINE-A4.236 ENGINE

Item	Part Number	Qty	Description	Comments
1	LD39336	1	SHORT ENGINE	
2		1		[A] (1)
		4		(1)
		1		(1)
		4		(1)
		4		(1)
		4		(1)
		10		(1)
		8		(1)
		4		(1)
		1		(1)
		1	HOUSING	(1)
		22		(1)
		1		(1)
				[A]
				COMPLETE WITH PLUGS



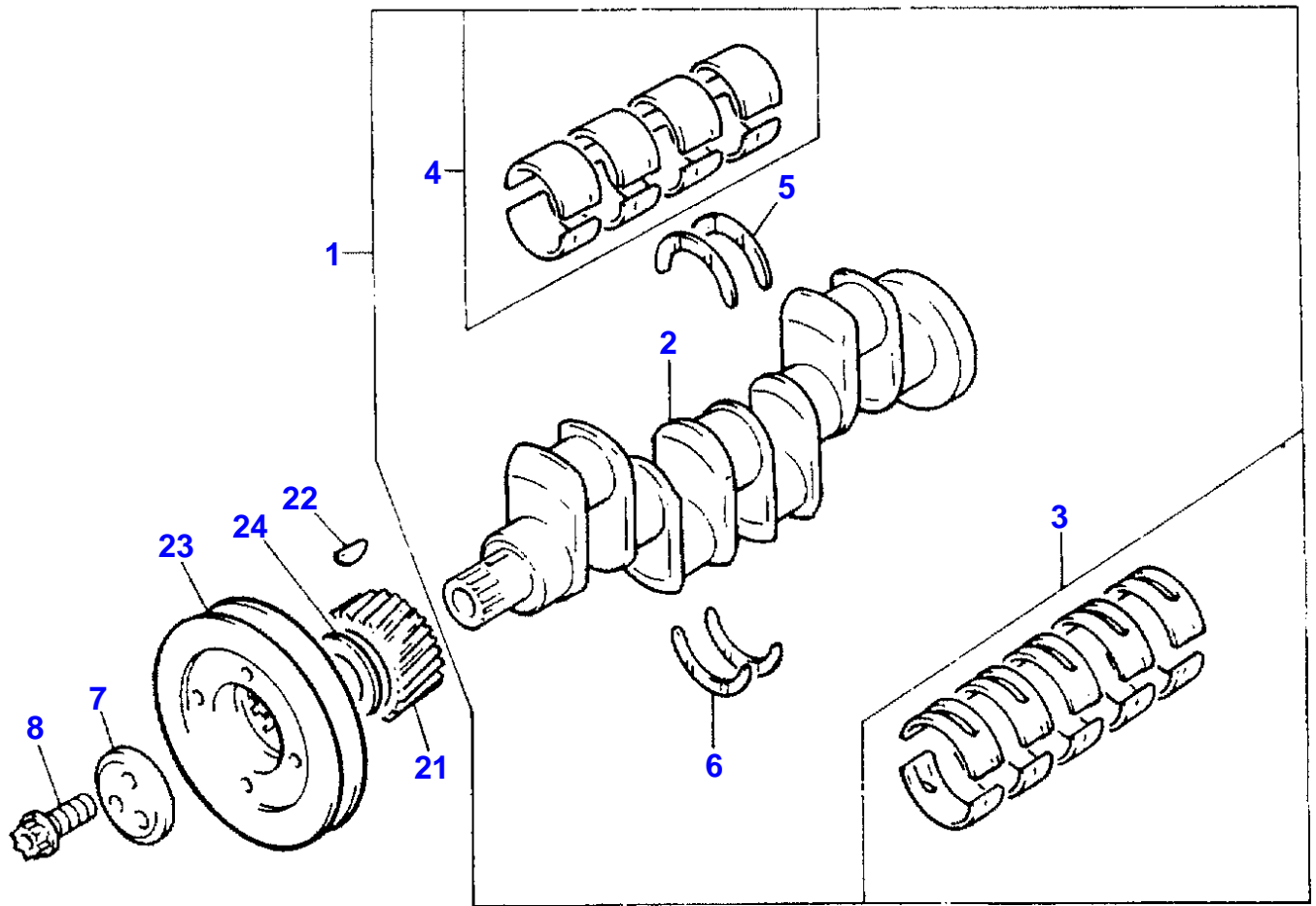
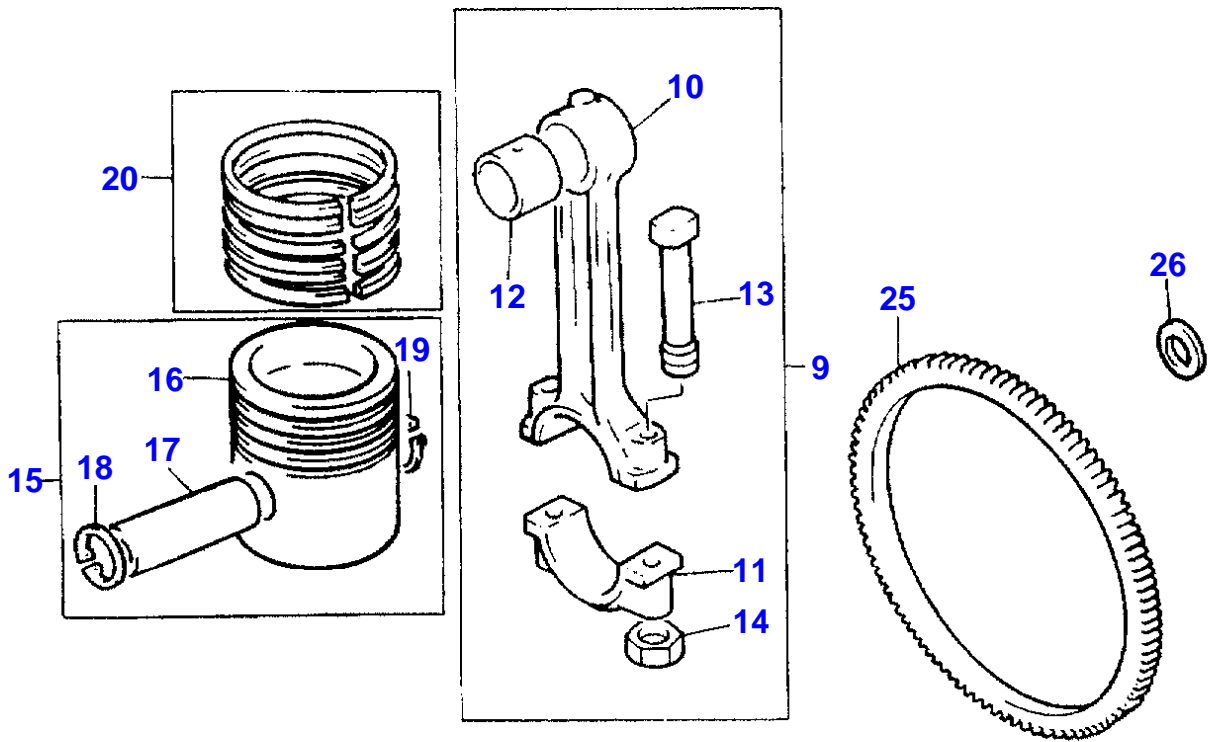
CYLINDER BLOCK-A4.236 ENGINE

Item	Part Number	Qty	Description	Comments
1	ZZ50226	1	KIT	
2	3135X031	4	Liner	[A, X] (1) . 4. 8. 16
2	3135X032	1	Liner	[B, X] . 4. 4. 8
3	0650710	6	Plug	(1)
4	32418122	4	Plug	(1)
5	33142111	10	Thimble	(1)
6	32166329	10	Bolt	(1)
7	31134165	1	BUSH	(1)
8	0650710	2	Plug	(1)
9	2485A204	1	Plug	(1)
10	32416119	1	PLUG	(1)
11	32168212	1	PLUG	(1)
12	3311R003	1	Washer	(1)
13	0650588	2	Plug	(1)
14	32417134	1	Plug	
15	3681E034	1	GASKET	[X] . 1. 2. 4
16	4142V066	1	FLANGE	
17	2418F475	1	Seal	[X] (16) . 1. 2. 4
18	3681T012	1	GASKET	
19	0746211	12	Bolt	
20	390972X1	12	Washer Metric	
21	0350009	2	Dowel	
22	2172530	2	Capscrew	
23	33112111	2	Washer	
24	0650594	1	Plug	
25	32416118	4	PLUG	
26	32161114	2	Plug	
27	0650588	1	Plug	
28	32452113	1	Pointer	
29	32114143	1	Plug	

[A]
PRESS FIT

[B]
SLIP FIT

[X]
QTY PER TRACTORS SOLD (AA.BBB.CCC.DDD) (AA) FOR 1 ,(BBB) 2-10 (CCC)
11-25 (DDD) 26-50



CRANKSHAFT, PISTONS AND CONNECTING RODS-A4.236 ENGINE

Item	Part Number	Qty	Description	Comments
1	ZZ90081	1	Kit, Crankshaft	[X] . 0. 0. 1
2		1		(1) Not serviced, order REF.1
3	81558	1	Kit, Bearing	[A, X] (1) . 1. 2. 3
3	81558A	X	Kit, Bearing	[A] Thickness (-)0.25MM Thickness (-)0.010
3	81558B	X	Kit, Bearing	[A] Thickness (-)0.50MM Thickness (-)0.020
3	81558C	X	Kit, Bearing	[A] Thickness (-)0.75MM Thickness (-)0.030
4	85042	1	Kit, Bearing	[A, X] (1) . 0. 1. 2
4	85042A	X	Kit, Bearing	[A] Thickness (-)0.25MM Thickness (-)0.010
4	85042B	X	Kit, Bearing	[A] Thickness (-)0.50MM Thickness (-)0.020
4	85042C	X	Kit, Bearing	[A] Thickness (-)0.75MM Thickness (-)0.030
5	31137551	2	Thrust Washer	[X] (1) . 0. 2. 4
5	31137312	X	Thrust Washer	Thickness (+)0.19MM Thickness (+)0.0075
6	31137561	2	Thrust Washer	[X] (1) . 0. 2. 4
6	31137322	X	Thrust Washer	[X] Thickness (+)0.19MM Thickness (+)0.0075 . 1. 2. 4
7	3242T001	1	Thrust Block	[D]
8	32186139	3	Screw	[D]
9	ZZ90009	4	Kit, Conrod	[X] . 0. 4. 8
10		1	CONROD	(9) Not serviced, order REF.9
11		1		(9) Not serviced, order REF.9
12	31134123	1	Bush	[X] (9) . 4. 8. 16
13	32762145	1	SCREW	[X] (9) . 4. 8. 16
14	33221328	1	Nut	[X] (9) . 4. 8. 16
15	U5LU0025	4	Kit, Piston	[B, X] . 4. 8. 16
15	U5LP0035	4	Kit, Piston	[C, X] . 4. 8. 16
16		1	PISTON	(15) Not serviced, order REF.15
17		1		(15) Not serviced, order REF.15
18	0170002	1	Circlip	(15)
19	0170002	1	Circlip	(15)
20	41158041	4	Kit, Piston Ring	[X] . 4. 8. 16
21	31171681	1	Gear,Crankshaft	[X] Number of teeth/spines 28 . 1. 2. 4
22	0500012	1	Woodruff Key	
23	31148798	1	Pulley,Crank	
24	33125416	1	Washer	[E]
25	3552228M1	1	CROWNWHEEL	Number of teeth/spines 115
26	33117127	6	Washer	

MASSEY FERGUSON

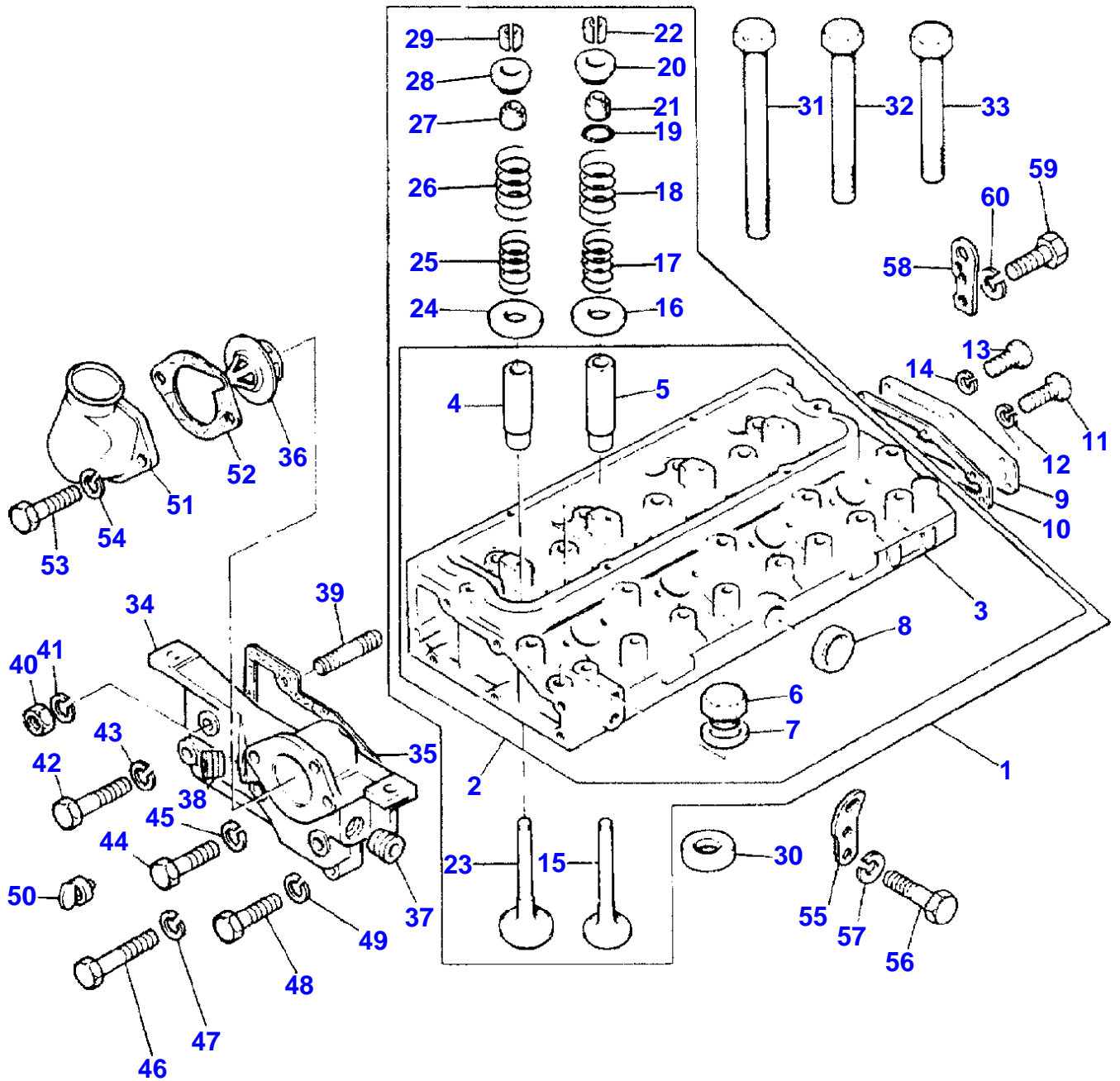
MF 374 AQ CAB TRACTOR - 3540108

3540108

CRANKSHAFT, PISTONS AND CONNECTING RODS-A4.236 ENGINE

4

Item	Part Number	Qty	Description	Comments
				[A] PRE-FINISHED
				[C] PRE-TOPPED
				[B] UNTOPPED
				[X] QTY PER TRACTORS SOLD (AA.BBB.CCC.DDD) (AA) FOR 1 ,(BBB) 2-10 (CCC) 11-25 (DDD) 26-50
				[D] NOT SUPPLIED WITH ASSEMBLY
				[E] USED ONLY WITH 31148797



CYLINDER HEAD-A4.236 ENGINE

Item	Part Number	Qty	Description	Comments
1	ZZ80175	1	CYLINDER HEAD	[X] . 0. 0. 1
2	ZZ80176	1	CYLINDER HEAD	[F] (1) (2) Not serviced, order REF.2
3		1		
4	3343F031	4	GUIDE	[C, X] (2) . 0. 4. 8
5	3343F031	4	GUIDE	[C, X] (2) . 0. 4. 8
6	0650203	1	Plug	(2)
7	2411157	1	Washer	(2)
8	0650710	1	Plug	(2)
9	3623K007	1	Plate	
10	3687M018	1	GASKET	
11	0746452	2	Setscrew	
12	0920054	2	Washer	
13	2183205	4	Screw	
14	0920053	4	Washer	
15	31431881	4	Valve Exhaust	[D, G, X] Alternative 31431886 . 4. 8. 16
15	3142A052	4	Valve Exhaust	[C, H, X] (1) . 0. 4. 8
15	31431882	X	Valve Exhaust	[B, G, X] Thickness (+) 0,003 . 4. 8. 16
15	3142A053	X	Valve Exhaust	[B, H] Thickness (+) 0.003
15	31431883	X	Valve Exhaust	[B, G] Thickness (+) 0,015
15	3142A054	X	Valve Exhaust	[B, H] Thickness (+) 0,015
15	31431884	X	Valve Exhaust	[B, G] Thickness (+) 0,030
15	3142A055	X	Valve Exhaust	[B, H] Thickness (+) 0,030
16	33415118	4	Washer	[X] (1) . 4. 8. 16
17	31744131	4	Spring	[J, X] (1) . 4. 8. 16
17	31744133	4	Spring	[K] (1)
18	31745121	4	Spring	[J, X] (1) . 4. 8. 16
18	31745122	4	Spring	[K] (1)
19	2415B201	4	O Ring	[J, X] (1) . 4. 8. 16
20	33423147	4	Cap	[J, X] (1) . 4. 8. 16
20	33424107	4	Cap	[K] (1)
21	33817117	4	Seal	[X] (1) . 4. 8. 16
22	33173108	8	Cotter	[A, X] (1) . 4. 8. 16
23	31431641	4	Valve Inlet	[D, X] (1) . 0. 4. 8
23	31431315	4	Valve Inlet	[E] (1)
	31431401	X	Valve Inlet	[B, D, X] Thickness (+) 0.003 . 4. 8. 16
23	31431316	X	VALVE	[B, E] Thickness (+) 0.003
23	31431402	X	Valve Inlet	[B, D] Thickness (+) 0,015
23	31431317	X	VALVE	[B, E] Thickness (+) 0,015
23	31431403	X	Valve Inlet	[B, D] Thickness (+) 0,030
23	31431318	X	VALVE	[B, E]

Buy Now



Our support email:

ebooklibonline@outlook.com