

Page Title	Page Number
ENGINE ASSEMBLY-A4.236 ENGINE	1
SHORT ENGINE-A4.236 ENGINE	2
CYLINDER BLOCK-A4.236 ENGINE	3
CRANKSHAFT, PISTONS AND CONNECTING RODS-A4.236 ENGINE	4
CYLINDER HEAD-A4.236 ENGINE	5
ROCKER SHAFT-A4.236 ENGINE	6
TIMING GEAR AND CAMSHAFT-A4.236 ENGINE	7
BALANCER UNIT-A4.236 ENGINE	8
FUEL INJECTION EQUIPMENT-A4.236 ENGINE	9
LUBRICATING OIL SUMP-A4.236 ENGINE	10
LUBRICATING OIL FILTER AND INTEGRAL COOLER-A4.236 ENGINE	11
WATER PUMP, THERMOSTAT AND HEAT EXCHANGER-A4.236 ENGINE	12
FUEL SYSTEM AND FILTER-A4.236 ENGINE	13
AIR INDUCTION AND EXHAUST SYSTEM-A4.236 ENGINE	14
ALTERNATOR POSITIONER-A4.236 ENGINE	15
JOINTS AND GASKETS-A4.236 ENGINE	16
STAND OIL FILTER-WITH SPACER	17
HEATER KIT-COLD CLIMATE	18
ALTERNATOR-VALEO TYPE	19
ALTERNATOR	20
ALTERNATOR-ISKRA TYPE	21
STARTER MOTOR-MARELLI TYPE	22
STARTER MOTOR-ISKRA TYPE	23
STARTER MOTOR-BOSCH	24
COOLING SYSTEM-FAN AND HOSES	25
COOLING SYSTEM-RADIATOR AND BRACKET	26
FUEL SYSTEM	27
FUEL TANK-TRACTOR 384 GE	28
FUEL TANK-TRACTOR 384 SP	29
FUEL TANK-TRACTOR 384 FP	30
FUEL TANK-TRACTOR 384 AP	31
DRY AIR FILTER	32
EXHAUST SYSTEM-TRACTOR 384 SP	33
EXHAUST SYSTEM-TRACTOR 384 FP	34
EXHAUST SYSTEM-TRACTOR 384 AP	35
EXHAUST SYSTEM-TRACTOR 384 GE	36
EXHAUST SYSTEM-TRACTOR 384 SP - 384 FP - 384 AP	37
THROTTLE CONTROLS-TRACTOR 384 SP - 384 FP - 384 GE	38
THROTTLE CONTROLS-TRACTOR 384 AP	39
INSTRUMENT PANEL-TRACTOR SP - FP - AP - GE	40
INSTRUMENT PANEL	41
INSTRUMENT PANEL-WITH ELECTRONIC LIFT - NOT INCLUDED TRACTOR	42
ELECTRICAL WIRING-REAR - TRACTOR SP - FP - AP - GE	43
ELECTRICAL WIRING-FRONT - TRACTOR SP - FP - AP	44
ELECTRICAL WIRING-FRONT - TRACTOR GE	45
ELECTRICAL WIRING-TRACTOR SP - FP - AP	46
ELECTRICAL WIRING-TRACTOR SP - FP - AP	47
ELECTRICAL WIRING-TRACTOR SP - FP - AP	48
BATTERY	49
LIGHTING EQUIPMENT-TRACTOR SP - FP - AP - GE	50
LIGHTING EQUIPMENT	51
CLUTCH PEDAL AND LINKAGE-TRACTOR SP - FP - GE - H	52
CLUTCH PEDAL AND LINKAGE-TRACTORT AP	53
CLUTCH-O.M.G. - 11	54
CLUTCH-LUK - 11	55
CLUTCH-O.M.G. - 12	56
CLUTCH-LUK - 12	57
LOWER CLUTCH P.T.O.-TRACTOR SP - FP - GE - H	58
LOWER CLUTCH P.T.O.-TRACTORT AP	59
CENTRE AXLE HOUSING AND TRANSMISSION HOUSING-WITHOUT OPTIONS (EXPORT ONLY)	60
CENTRE AXLE HOUSING AND TRANSMISSION HOUSING-FOR OPTIONS VERSION ONLY	61
CENTRE AXLE HOUSING AND TRANSMISSION HOUSING	62
CENTRE AXLE HOUSING AND TRANSMISSION HOUSING-TRACTORT AP	63
TRANSMISSION	64
TRANSMISSION-TRACTORT AP	65
TRANSMISSION	66

TABLE OF CONTENT

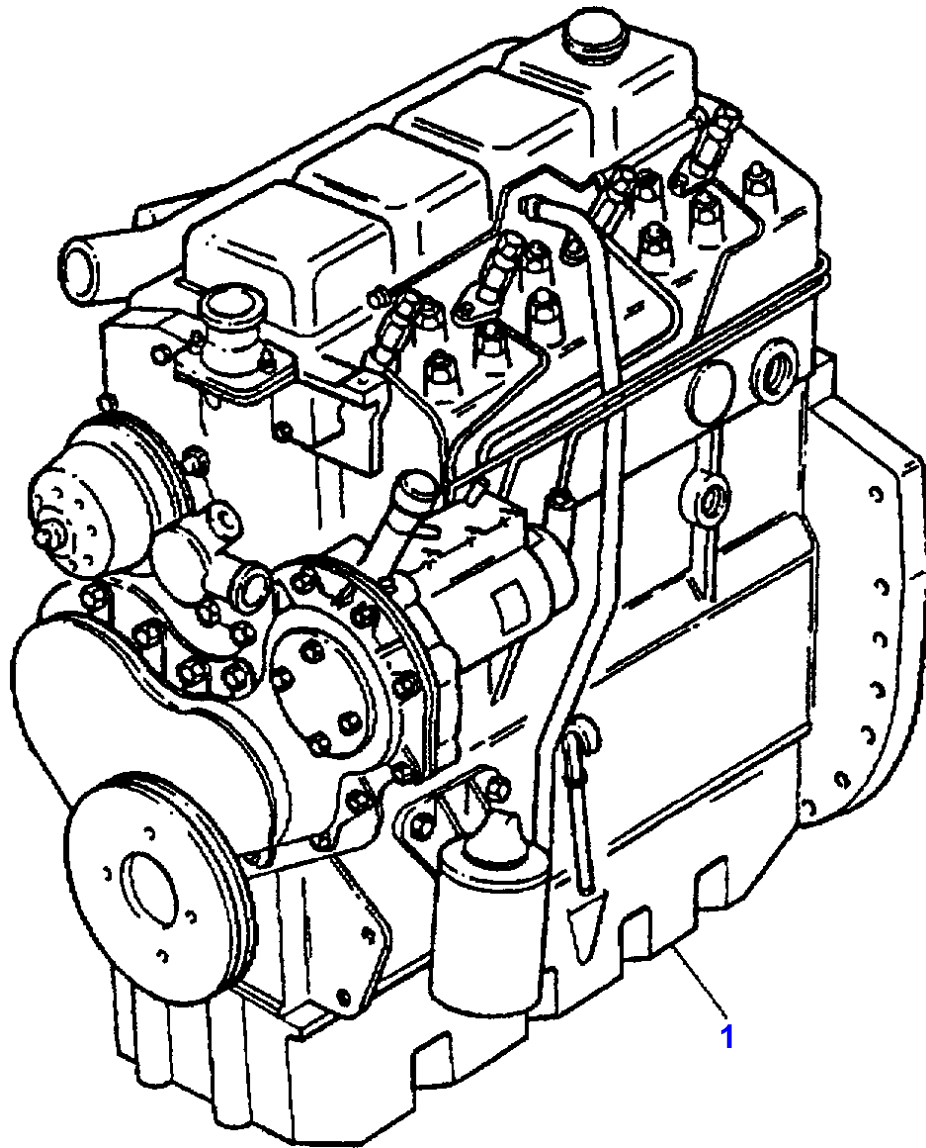
SHIFT LEVERS-TRACTOR SP - FP - AP - H	67
SHIFT LEVERS-TRACTOR GE	68
GEAR BOX	69
REDUCER OPTION-FOR SHUTTLE VERSION ONLY: TRACTOR SP - FP - GE	70
REDUCER OPTION-FOR SHUTTLE VERSION ONLY : TRACTOR AP	71
GEAR BOX-FOR SHUTTLE VERSION ONLY.	72
GEAR BOX-FOR SPECIAL OPTIONS VERSION ONLY	73
REDUCER OPTION-OVERDRIVE AND SHUTTLE VERSION	74
REDUCER OPTION-OVERDRIVE AND SHUTTLE VERSION	75
REDUCER OPTION-OVERDRIVE AND CREEPER VERSION	76
REDUCER OPTION-OVERDRIVE AND CREEPER VERSION	77
REDUCER OPTION-OVERDRIVE AND UNDERDRIVE VERSION	78
REDUCER OPTION-OVERDRIVE AND UNDERDRIVE VERSION	79
REDUCER OPTION-UNDERDRIVE AND SHUTTLE VERSION	80
REDUCER OPTION-UNDERDRIVE AND SHUTTLE VERSION	81
REDUCER OPTION-UNDERDRIVE E CREEPER VERSION	82
REDUCER OPTION-UNDERDRIVE E CREEPER VERSION	83
REDUCER OPTION-SHUTTLE AND CREEPER VERSION	84
REDUCER OPTION-SHUTTLE AND CREEPER VERSION	85
PTO SHAFT-STANDARD - TRACTOR SP - GE	86
PTO SHAFT-STANDARD - TRACTOR FP - H	87
PTO SHAFT-STANDARD - TRACTOR AP	88
PTO SHAFT-540/750/1000 R.P.M.- TRACTOR SP - GE	89
PTO SHAFT-540/750/1000 R.P.M.- TRACTOR FP - H	90
PTO SHAFT-540/750/1000 R.P.M.- TRACTOR AP	91
PTO-CONTROL-TRACTOR SP - GE	92
PTO-CONTROL-TRACTOR FP - AP - H	93
PTO-CONTROL-540/750/1000 R.P.M.- TRACTOR SP - GE	94
PTO-CONTROL-540/750/1000 R.P.M.- TRACTOR FP - AP - H	95
TRANSFER GEAR BOX AND DRIVE SHAFT:-TRACTOR 384 SP/FP/GE	96
TRANSFER GEAR BOX AND DRIVE SHAFT:-TRACTOR 384 AP	97
4 WHEEL DRIVE CONTROLS	98
REAR AXLE	99
REAR AXLE-TRACTOR 384 SP	100
REAR AXLE-TRACTOR 384 FP - 384 AP	101
REAR AXLE-TRACTOR 384 GE	102
DIFFERENTIAL LOCK CONTROLS-MECHANICAL CONTROL	103
DIFFERENTIAL LOCK CONTROLS-HYDRAULIC CONTROL	104
DIFFERENTIAL LOCK CONTROLS-HYDRAULIC CONTROL	105
BRAKE AND CONTROLS-PEDALS	106
BRAKE AND CONTROLS-PIPINGS	107
BRAKE AND CONTROLS-DEVICE CONTROL	108
BRAKES	109
MASTER CYLINDER-BRAKE PUMP	110
BRAKE CYLINDER	111
TRAILER BRAKES-TRACTOR 384 SP - 384 FP - 384 AP	112
TRAILER BRAKES-TRACTOR 384 SP - 384 FP - 384 AP	113
REAR WHEELS-TRACTOR 384 SP	114
REAR WHEELS-TRACTOR 384 FP - 384 AP	115
REAR WHEELS-TRACTOR GE	116
FRONT WHEELS-TRACTOR 384 FP - 384 AP	117
FRONT WHEELS-TRACTOR 384 SP	118
FRONT WHEELS-TRACTOR GE	119
FRONT AXLE 2 WHEEL DRIVE-TRACTOR FP - AP	120
FRONT AXLE 2 WHEEL DRIVE-TRACTOR SP - GE	121
FRONT AXLE 4 WHEEL DRIVE	122
FRONT AXLE 4 WHEEL DRIVE	123
FRONT AXLE 4 WHEEL DRIVE-TRACTOR SP	124
FRONT AXLE 4 WHEEL DRIVE-TRACTOR FP - AP	125
FRONT AXLE 4 WHEEL DRIVE-TRACTOR GE	126
FRONT AXLE 4 WHEEL DRIVE-TRACTOR SP	127
FRONT AXLE 4 WHEEL DRIVE-TRACTOR FP - AP	128
FRONT AXLE 4 WHEEL DRIVE-TRACTOR GE	129
FRONT AXLE 4 WHEEL DRIVE-TYPE NO-SPIN	130
FRONT AXLE 4 WHEEL DRIVE-TYPE STANDARD	131
FRONT AXLE 4 WHEEL DRIVE-TYPE HYDROLOCK	132
FRONT AXLE 4 WHEEL DRIVE-PINION SET AND SIDE SHAFT	133
FRONT AXLE 4 WHEEL DRIVE-PINION SET AND SIDE SHAFT	134

TABLE OF CONTENT

FRONT AXLE 4 WHEEL DRIVE-PINION SET AND SIDE SHAFT	135
FRONT AXLE 4 WHEEL DRIVE-HOUSINGS AND STEERING CYLINDER	136
FRONT AXLE 4 WHEEL DRIVE-FINAL REDUCER AND WHELL HUB	137
FRONT AXLE 4 WHEEL DRIVE-WITH DIFFERENTIAL NO-SPIN AND STANDARD	138
FRONT AXLE 4 WHEEL DRIVE-WITH DIFFERENTIAL HYDROLOCK	139
STEERING HYDRAULIC LINES	140
STEERING HYDRAULIC LINES-TRACTOR SP - FP - GE	141
STEERING HYDRAULIC LINES-TRACTORT AP	142
STEERING ORBITROL UNIT-2 WHEE DRIVE	143
STEERING ORBITROL UNIT-4 WHEELS DRIVE	144
STEERING-PUMP-TUROLLA	145
STEERING-PUMP-BOSCH	146
STEERING CYLINDER-TRACTOR SP - GE	147
STEERING CYLINDER-TRACTOR FP - AP - H	148
STEERING CYLINDER	149
HYDRAULIC EQUIPMENT-TRACTOR SP - FP - GE - H	150
HYDRAULIC EQUIPMENT-TRACTORT AP	151
HYDRAULIC EQUIPMENT-TRACTOR SP - FP - GE - H	152
HYDRAULIC EQUIPMENT-TRACTORT AP	153
HYDRAULIC EQUIPMENT-TRACTOR SP - FP - GE	154
HYDRAULIC EQUIPMENT-TRACTORT AP	155
AUXILIARY HYDRAULIC VALVE LINES-WITH AUXILIARY HYDRAULIC VALVE CLEARANCE	156
HYDRAULIC PUMP-TUROLLA	157
HYDRAULIC PUMP-BOSCH	158
HYDRAULIC PUMP-BOSCH	159
HYDRAULIC PUMP-TUROLLA	160
HYDRAULIC PUMP-TUROLLA	161
HYDRAULIC PUMP-BOSCH	162
HYDRAULIC LIFT VALVE-WITH MECANICS RISER	163
HYDRAULIC LIFT	164
HYDRAULIC LIFT-TRACTOR SP - GE	165
HYDRAULIC LIFT-TRACTOR FP - AP	166
HYDRAULIC LIFT-TRACTOR SP	167
HYDRAULIC LIFT-TRACTOR FP - AP	168
ELECTRICAL WIRING-FOR ELECTRONIC LIFT	169
HYDRAULIC LIFT VALVE-FOR ELECTRONIC LIFT	170
ELECTRICAL WIRING-CONTROL PANEL ELECTRONIC LIFT	171
ELECTRICAL WIRING-CONTROL PANEL ELECTRONIC LIFT	172
MECHANICAL CONTROL LIFT-TRACTOR SP	173
MECHANICAL CONTROL LIFT-TRACTOR GE	174
MECHANICAL CONTROL LIFT-TRACTOR FP - AP	175
MECHANICAL CONTROL LIFT-TRACTOR FP - AP	176
MECHANICAL CONTROL LIFT-TRACTOR SP	177
MECHANICAL CONTROL LIFT-TRACTOR SP - FP - AP	178
MECHANICAL CONTROL LIFT-TRACTOR GE	179
HYDRAULIC LIFT CYLINDER-HYDRAULIC LIFT CYLINDER,WITH 1'AND 2'AUXIL.HYD	180
HYDRAULIC LIFT CYLINDER-HYDRAULIC LIFT CYLINDER,WITH 3AND 4 AUXIL.HYDR	181
AUXILIARY HYDRAULIC VALVE LINES-WITH 1.0 DISTRIBUTOR	182
AUXILIARY HYDRAULIC VALVE LINES-WITH 2.0 DISTRIBUTORES	183
AUXILIARY HYDRAULIC VALVE LINES-WITH 3.0 DISTRIBUTORES	184
AUXILIARY HYDRAULIC VALVE LINES-TRACTOR FP-AP-H ,WITH N.4 HYDRA. VALVE	185
CONTROLS ,AUXILIARY HYDRAULICS-WITH 1.0 DISTRIBUTOR	186
CONTROLS ,AUXILIARY HYDRAULICS-WITH 2.0 DISTRIBUTORES	187
CONTROLS ,AUXILIARY HYDRAULICS-WITH 3.0 DISTRIBUTORES	188
CONTROLS ,AUXILIARY HYDRAULICS-TRACTOR FP - AP - H	189
PLATE FOR AUXILIARY HYDRAULIC VALVE-HIDROIRMA TYPE.	190
AUXILIARY HYDRAULICS VALVE STANDARD-HYDROIRMA TYPE STANDARD	191
AUXILIARY HYDRAULICS VALVE STANDARD-HYDROIRMA TYPE STANDARD	192
AUXILIARY HYDRAULICS FLOATING-HYDROIRMA TYPE FLOATING	193
AUXILIARY HYDRAULICS FLOATING-HYDROIRMA TYPE FLOATING	194
AUXILIARY HYDRAULIC VALVE LINES-WITH 1.0 DISTRIBUTOR	195
AUXILIARY HYDRAULIC VALVE LINES-WITH 2.0 DISTRIBUTORES	196
AUXILIARY HYDRAULIC VALVE LINES-TRACTOR FP-AP-H ,WITH N.3 HYDRA. VALVE	197
CONTROLS ,AUXILIARY HYDRAULICS-WITH 1.0 DISTRIBUTOR	198
CONTROLS ,AUXILIARY HYDRAULICS-WITH 2.0 DISTRIBUTORES	199
CONTROLS ,AUXILIARY HYDRAULICS-TRACTOR FP-AP-H ,WITH N.3 HYDRA. VALVE	200
AUXILIARY HYDRAULICS VALVE-TILL TYPE STANDARD	201
AUXILIARY HYDRAULICS VALVE-TILL TYPE FLOATING	202

TABLE OF CONTENT

ACCESSORIES HYDRAULIC-ADDITIONAL POWER OUTLET UNIT	203
LINKAGE-STANDARD VERSION	204
LINKAGE-STANDARD VERSION	205
LINKAGE-TRACTOR SP	206
LINKAGE-NOT INCLUDED GE TRACTOR	207
LINKAGE-TRACTOR GE	208
LINKAGE-NOT INCLUDED GE TRACTOR	209
LINKAGE-TRACTOR GE	210
LINKAGE	211
LINKAGE-MECANICS LIFT CYLINDER RIGTH	212
LINKAGE-TRACTOR FP - AP	213
LINKAGE-TRACTOR FP - AP	214
SHEET METAL	215
SHEET METAL-TRACTOR SP - FP - GE	216
SHEET METAL-TRACTORT AP	217
COOLING SYSTEM-SHIELD FAN	218
SHEET METAL-TRACTOR SP - FP - GE	219
SHEET METAL-TRACTORT AP	220
DECALS	221
DECALS	222
DECALS	223
DECALS	224
DECALS	225
FENDERS - FRONT-4 WHEELS DRIVE	226
FENDERS AND PLATFORM-TRACTOR SP	227
FENDERS AND PLATFORM-TRACTOR FP - AP	228
FENDERS AND PLATFORM-TRACTOR GE	229
SEAT	230
SEAT-CHASSIS AND SUSPENSION	231
SAFETY FRAME-TRACTOR SP - FP - GE	232
SAFETY FRAME-TRACTORT AP	233
ROTATING LIGHT	234
WEIGHT FRAME AND WEIGHTS W	235
HITCH CONNECTIONS-WITHOUT HITCH	236
REAR HOOK	237
DRAWBAR-HEAVY DUTY	238
REAR HOOK-STANDARD TYPE	239
REAR HOOK-TRACTOR FP - AP - H	240
REAR HOOK-TRACTOR FP - AP - H	241
TOOL KIT	242
SEALERS AND LIQUID GASKETS ADHESIES	243
HEATER KIT-COLD CLIMATE	244
REDUCER OPTION-SHUTTLE AND CREEPER VERSION KIT	245
REDUCER OPTION-UNDERDRIVE AND SHUTTLE VERSION KIT	246
REDUCER OPTION-OVERDRIVE AND SHUTTLE VERSION KIT	247
REDUCER OPTION-OVERDRIVE AND SHUTTLE VERSION KIT	248
REDUCER OPTION-OVERDRIVE AND CREEPER VERSION KIT	249
REDUCER OPTION-SHUTTLE AND CREEPER VERSION KIT	250
KIT TRAILOR BRAKE LINES-TRACTOR SP - FP - AP	251
KIT TRAILOR BRAKE LINES-TRACTOR SP - FP - AP	252
KIT TRAILOR BRAKE LINES-TRACTOR SP - FP - AP	253
KIT TRAILOR BRAKE LINES-TRACTOR SP - FP - AP	254
HYDRAULIC PUMP DOUBLE BODY AND PIPINGS-SINGLE HYDRAULIC LINES	255
AUXILIARY HYDRAULIC VALVE LINES KIT-KIT FOR 2.0 DISTRIBUTOR - HIDROIRMA	256
AUXILIARY HYDRAULIC VALVE LINES KIT-KIT FOR 2.0 DISTRIBUTOR - HIDROIRMA	257
AUXILIARY HYDRAULIC VALVE LINES KIT-KIT FOR 3.0 DISTRIBUTOR - HIDROIRMA	258
AUXILIARY HYDRAULIC VALVE LINES KIT-KIT FOR 3.0 DISTRIBUTOR - HIDROIRMA	259
AUXILIARY HYDRAULIC VALVE LINES KIT-KIT FOR 2.0 DISTRIBUTOR - HIDROIRMA	260
AUXILIARY HYDRAULIC VALVE LINES KIT-KIT FOR 2.0 DISTRIBUTOR - TILL	261
AUXILIARY HYDRAULIC VALVE LINES KIT-KIT FOR 2.0 DISTRIBUTOR - TILL	262
AUXILIARY HYDRAULIC VALVE LINES KIT-KIT FOR 2.0 DISTRIBUTOR - TILL	263
AUXILIARY HYDRAULIC VALVE LINES KIT-KIT FOR 3.0 DISTRIBUTOR - TILL	264
AUXILIARY HYDRAULIC VALVE LINES KIT-KIT FOR 3.0 DISTRIBUTOR - TILL	265
AUXILIARY HYDRAULIC VALVE LINES KIT-WITH AUXILIARY HYDRAULIC VALVE CLEARANCE	266
KIT FRONT FENDERS-4 WHEELS DRIVE	267
KIT HOOK PULL	268
KIT HOOK PULL-TRACTOR FP - AP	269



Thank you so much for reading.  
Please click the “Buy Now!”  
button below to download the  
complete manual.



After you pay.

You can download the most  
perfect and complete manual in  
the world immediately.

Our support email:

[ebooklibonline@outlook.com](mailto:ebooklibonline@outlook.com)