

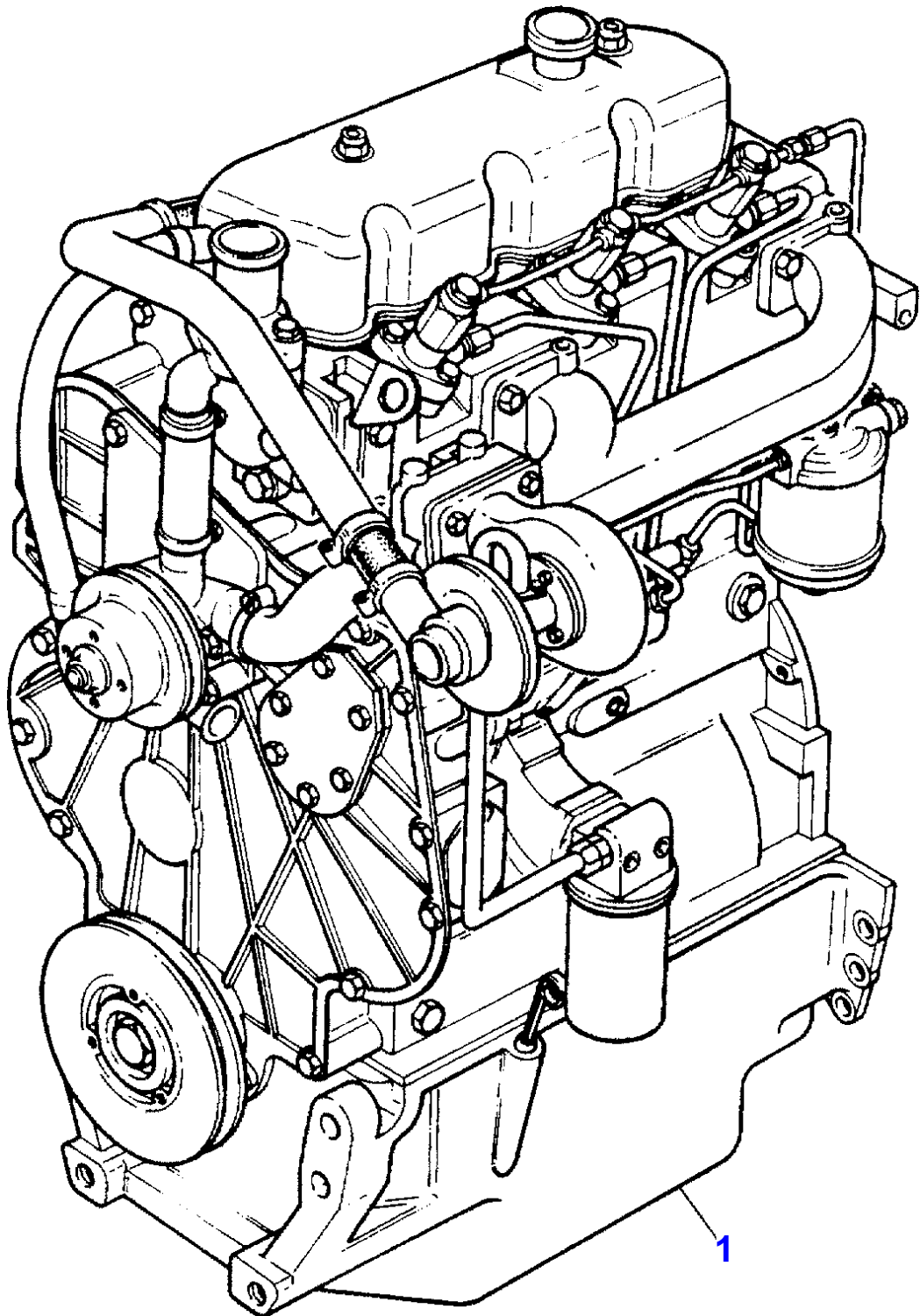
Page Title	Page Number
ENGINE ASSEMBLY-T3.152.4 ENGINE	1
SHORT ENGINE-TABLE PK ACEC9107	2
CYLINDER BLOCK-T3.152.4 ENGINE	3
CRANKSHAFT, PISTONS AND CONNECTING RODS-T3.152.4 ENGINE	4
CYLINDER HEAD-T3.152.4 ENGINE	5
ROCKER SHAFT-T3.152.4 ENGINE	6
TIMING GEAR AND CAMSHAFT-T3.152.4 ENGINE	7
FUEL INJECTION EQUIPMENT-T3.152.4 ENGINE	8
LUBRICATING OIL SUMP-T3.152.4 ENGINE	9
LUBRICATING OIL FILTER AND INTEGRAL COOLER-T3.152.4 ENGINE	10
WATER PUMP, THERMOSTAT AND HEAT EXCHANGER-T3.152.4 ENGINE	11
FUEL SYSTEM AND FILTER-T3.152.4 ENGINE	12
TURBOCHARGER-T3.152.4 ENGINE	13
TURBOCHARGER-T3.152.4 ENGINE	14
TURBOCHARGER-T3.152.4 ENGINE	15
ALTERNATOR POSITIONER-T3.152.4 ENGINE	16
JOINTS AND GASKETS-T3.152.4 ENGINE	17
ALTERNATOR-LUCAS	18
ALTERNATOR-VALEO TYPE	19
ALTERNATOR-ISKRA TYPE	20
STARTER MOTOR-PERKINS TYPE (MARELLI)	21
STARTER MOTOR-BOSCH	22
STARTER MOTOR-ISKRA TYPE	23
COOLING SYSTEM-FAN AND HOSES	24
COOLING SYSTEM-RADIATOR AND BRACKET	25
COOLING SYSTEM-SHIELD FAN	26
FUEL SYSTEM	27
FUEL TANK	28
DRY AIR FILTER-DRY AIR CLEANER	29
EXHAUST SYSTEM	30
EXHAUST SYSTEM	31
THROTTLE CONTROLS	32
THROTTLE CONTROLS	33
INSTRUMENT PANEL	34
INSTRUMENT PANEL	35
BATTERY	36
ELECTRONIC HARNESS	37
ELECTRICAL WIRING-FRONT	38
ELECTRICAL WIRING-REAR	39
LIGHTING EQUIPMENT	40
LIGHTING EQUIPMENT-LIGHTS	41
CLUTCH-O.M.G. - 11	42
CLUTCH-LUK - 11	43
CLUTCH PEDAL AND LINKAGE	44
LOWER CLUTCH P.T.O.	45
CENTRE AXLE HOUSING AND TRANSMISSION HOUSING	46
CENTRE AXLE HOUSING AND TRANSMISSION HOUSING	47
TRANSMISSION	48
TRANSMISSION	49
SHIFT LEVERS	50
GEAR BOX	51
REDUCER OPTION-FOR SHUTTLE VERSION ONLY.	52
GEAR BOX-FOR SHUTTLE VERSION ONLY.	53
GEAR BOX-FOR SPECIAL OPTIONS VERSION ONLY	54
REDUCER OPTION-OVERDRIVE AND SHUTTLE VERSION	55
REDUCER OPTION-OVERDRIVE AND UNDERDRIVE VERSION	56
REDUCER OPTION-OVERDRIVE AND CREEPER VERSION	57
REDUCER OPTION-UNDERDRIVE AND SHUTTLE VERSION	58
REDUCER OPTION-UNDERDRIVE E CREEPER VERSION	59
REDUCER OPTION-SHUTTLE AND CREEPER VERSION	60
PTO SHAFT-STANDARD TYPE	61
PTO SHAFT-540/750/1000 R.P.M.	62
PTO-CONTROL-STANDARD TYPE	63
PTO-CONTROL-540/750/1000 R.P.M.	64
TRANSFER GEAR BOX AND DRIVE SHAFT:	65
4 WHEEL DRIVE CONTROLS	66

TABLE OF CONTENT

REAR AXLE	67
REAR AXLE	68
DIFFERENTIAL LOCK CONTROLS	69
DIFFERENTIAL LOCK CONTROLS	70
BRAKE AND CONTROLS-PEDALS	71
BRAKE AND CONTROLS-PIPINGS	72
BRAKE AND CONTROLS	73
BRAKES	74
MASTER CYLINDER-BRAKE PUMP	75
BRAKE CYLINDER	76
TRAILER BRAKES-ITALY TYPE	77
TRAILER BRAKES-FRANCE TYPE	78
REAR WHEELS	79
FRONT WHEELS	80
FRONT AXLE 2 WHEEL DRIVE	81
FRONT AXLE 4 WHEEL DRIVE-WITH DISCBRAKES	82
FRONT AXLE 4 WHEEL DRIVE-WITH DISCBRAKES	83
FRONT AXLE 4 WHEEL DRIVE-WITH FRONT BRAKING	84
FRONT AXLE 4 WHEEL DRIVE-WITH FRONT BRAKING	85
FRONT AXLE 4 WHEEL DRIVE	86
FRONT AXLE 4 WHEEL DRIVE-WITH DISCBRAKES	87
STEERING HYDRAULIC LINES	88
STEERING HYDRAULIC LINES	89
STEERING ORBITROL UNIT-2 WHEEL DRIVE	90
STEERING ORBITROL UNIT-4 WHEELS DRIVE	91
STEERING-PUMP-TUROLA	92
STEERING-PUMP-BOSCH	93
STEERING CYLINDER	94
STEERING CYLINDER	95
HYDRAULIC EQUIPMENT-HYDRAULIC LINES STD.	96
HYDRAULIC EQUIPMENT-HYDRAULIC LINES STD.	97
HYDRAULIC EQUIPMENT-SINGLE HYDRAULIC LINES	98
HYDRAULIC EQUIPMENT-SINGLE HYDRAULIC LINES	99
HYDRAULIC PUMP-TUROLA	100
HYDRAULIC PUMP-BOSCH	101
HYDRAULIC PUMP-BOSCH	102
HYDRAULIC PUMP-CESSNA	103
HYDRAULIC LIFT-WITH ELECTRONIC LIFT	104
HYDRAULIC LIFT-WITH ELECTRONIC LIFT	105
ELECTRICAL WIRING-WITH ELECTRONIC LIFT	106
ELECTRICAL WIRING	107
ELECTRICAL WIRING	108
HYDRAULIC LIFT VALVE-BOSCH	109
AUXILIARY HYDRAULIC VALVE LINES	110
AUXILIARY HYDRAULIC VALVE LINES	111
HYDRAULIC LIFT CYLINDER-RIGHT-HAND LIFT ROD LEVELLING BOX	112
HYDRAULIC LIFT CYLINDER-RIGHT-HAND LIFT ROD LEVELLING BOX	113
HYDRAULICS AND LINKAGE-HYDRAULIQUE CONTROL	114
AUXILIARY HYDRAULIC VALVE LINES-SALAMI TYPE	115
AUXILIARY HYDRAULIC VALVE LINES-SALAMI TYPE	116
AUXILIARY HYDRAULIC VALVE LINES-SALAMI TYPE	117
AUXILIARY HYDRAULIC VALVE LINES-SALAMI TYPE	118
AUXILIARY HYDRAULIC VALVE LINES-SALAMI TYPE	119
AUXILIARY HYDRAULIC VALVE LINES-SALAMI TYPE	120
AUXILIARY HYDRAULIC VALVE LINES	121
AUXILIARY HYDRAULICS VALVE STANDARD-SALAMI TYPE	122
AUXILIARY HYDRAULICS VALVE STANDARD-SALAMI TYPE	123
AUXILIARY HYDRAULICS FLOATING-SALAMI TYPE	124
AUXILIARY HYDRAULICS FLOATING-SALAMI TYPE	125
AUXILIARY HYDRAULICS VALVE KICK-OUT-SALAMI TYPE	126
AUXILIARY HYDRAULICS VALVE KICK-OUT-SALAMI TYPE	127
AUXILIARY VALVE FOR HYDRAULIC ENGINE-SALAMI TYPE	128
AUXILIARY VALVE FOR HYDRAULIC ENGINE-SALAMI TYPE	129
PLATE FOR AUXILIARY HYDRAULIC VALVE-SALAMI TYPE	130
HOLDING FIXTURE COVER AUXILIARY HYDRAULIC VALVE.-SALAMI TYPE	131
LINKAGE	132
LINKAGE	133
LINKAGE-QUICK ATTACH	134

TABLE OF CONTENT

LINKAGE-QUICK ATTACH	135
LINKAGE-QUICK ATTACH	136
SHEET METAL	137
SHEET METAL	138
SHEET METAL	139
SHEET METAL	140
SHEET METAL	141
DECALS	142
DECALS	143
DECALS	144
SUPPORTS PLATFORM	145
SUPPORTS PLATFORM	146
FENDERS AND SUPPORTS	147
FENDERS - FRONT	148
SEAT	149
SEAT	150
SEAT	151
SEAT	152
SEAT	153
TRACTOR CAB	154
TRACTOR CAB-FRONT - WINDSCRENN	155
TRACTOR CAB-LOWER FIXED COMPONENTS	156
TRACTOR CAB	157
TRACTOR CAB-LEFT SIDE - RIGHT SIDE	158
TRACTOR CAB-REAR AND BRACKET	159
TRACTOR CAB-OUTSIDE AND INTERNAL	160
ROTATING LIGHT	161
WEIGHT FRAME AND WEIGHTS W	162
REAR HOOK	163
REAR HOOK	164
REAR HOOK-STANDARD TYPE	165
DRAWBAR-HEAVY DUTY	166
TOOL KIT	167



MASSEY FERGUSON

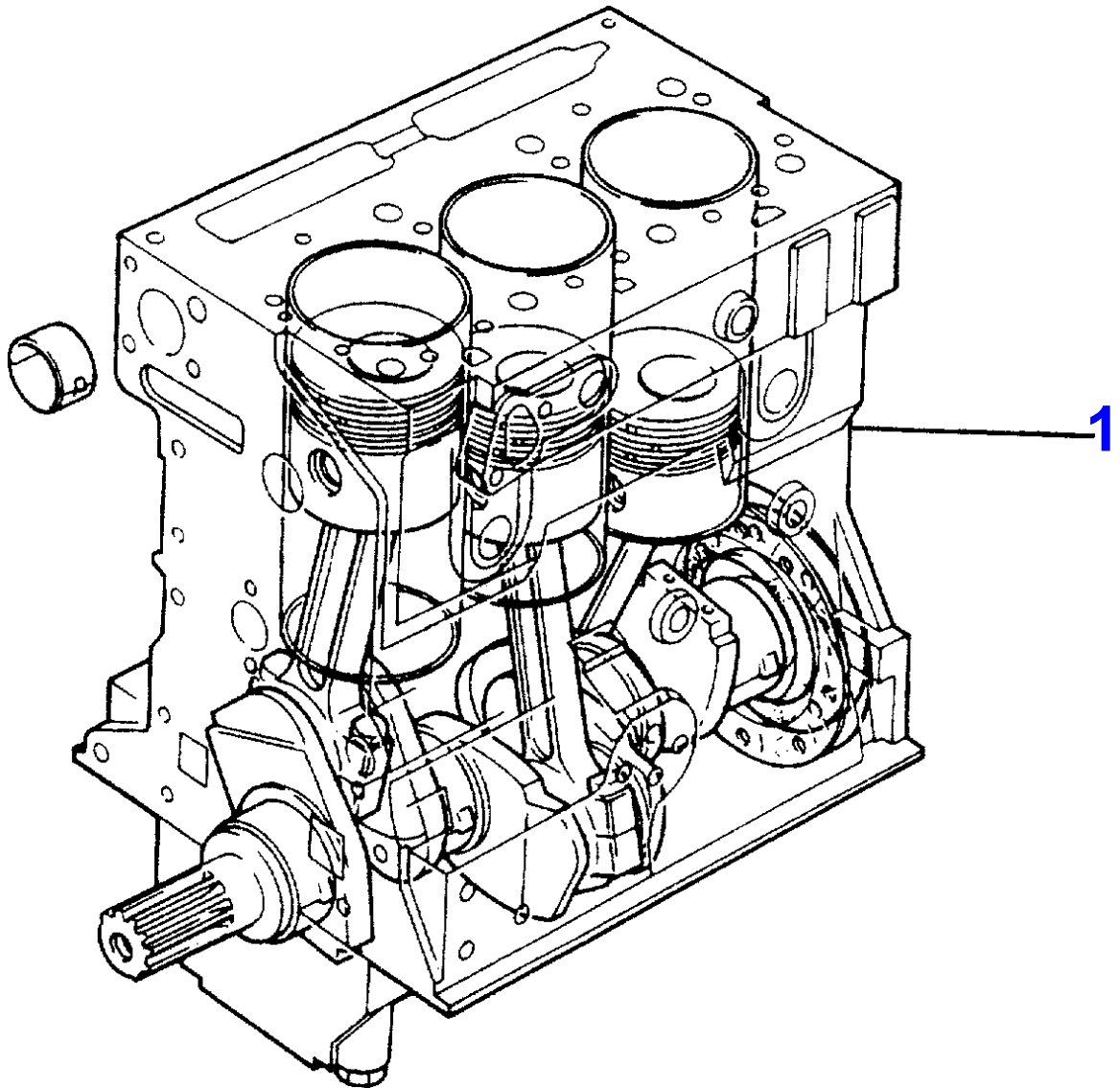
MF 364 VQ TRACTOR, CAB, |-> 01/07/94 - 3540276

3540276

ENGINE ASSEMBLY-T3.152.4 ENGINE

1

Item	Part Number	Qty	Description	Comments
1	3553117M91	1	Engine	[C] "CN31198"
1	3553116M91	1	Engine	[D] "CN31225"
				[C] STD.HYDRAULIC LINES
				[D] SINGLE HYDRAULIC LINES



MASSEY FERGUSON

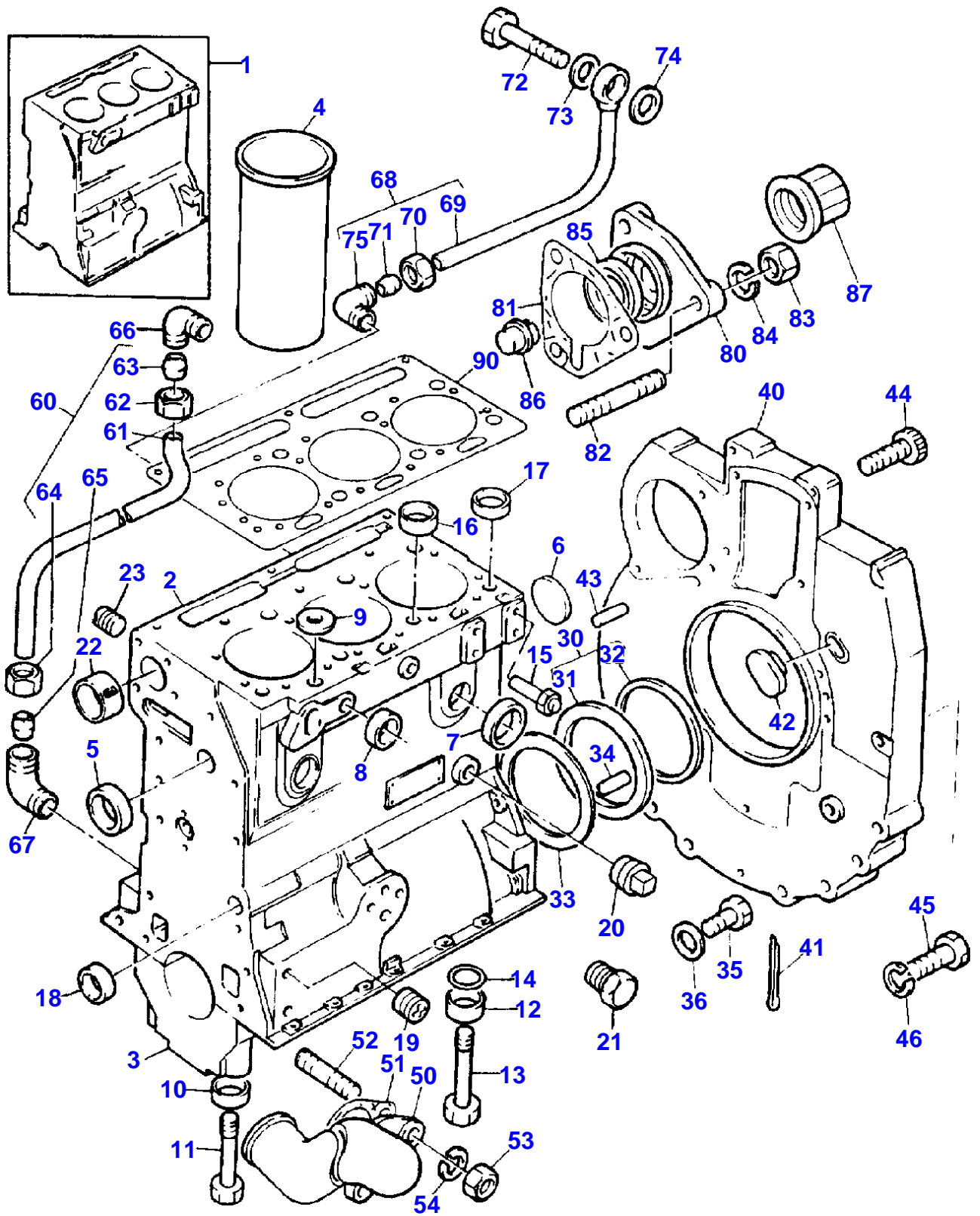
MF 364 VQ TRACTOR, CAB, |-> 01/07/94 - 3540276

3540276

SHORT ENGINE-TABLE PK ACEC9107

2

Item	Part Number	Qty	Description	Comments
1	CN39125	1	SHORT ENGINE	[A] "CN39117"
2		1		[B]
		3		(1)
		1		(1)
		2		(1)
		1		(1)
		3		(1)
		3		(1)
		3		(1)
		1		(1)
		4		(1)
		1		(1)
		1	HOUSING	(1)
				[B] COMPLETE WITH PLUGS
				[A] LIP SEAL





CYLINDER BLOCK-T3.152.4 ENGINE

Item	Part Number	Qty	Description	Comments
1	ZZ 50133	1	BLOCK	Up to Serial or Engine Number .....
	ZZ 50206	1	BLOCK	From Serial or Engine Number .....
2		1		(1) Not serviced, order REF.1
3		4		(1) Not serviced, order REF.1
4	31358323	3	Liner	[A, X] (1) 00.003.003.006
4	31358345	X	Liner	[B]
	31358357	X	Liner	[B] Thickness (+)0.76MM Thickness (+)0.030
5	0650710	1	Plug	(1)
6	0650692	1	Plug	(1)
7	0650710	4	Plug	(1)
8	32417163	2	Plug	(1)
9	33141124	1	Plug	(1)
10	33137408	6	Thimble	(1)
11	32181441	6	Screw	(1)
12	33137408	2	Thimble	(1)
13	32181442	2	Screw	(1)
14	2415608	2	O Ring	(1)
15	2485A204	1	Plug	(1)
16	33157142	2	Plug	(1)
17	33157143	2	Plug	(1)
18	0650566	2	Plug	(1)
19	32114472	3	Plug	(1)
20	0650593	1	Plug	(1)
20	0650594	1	Plug	Up to Serial or Engine Number U726816K [D] From Serial or Engine Number U726817K
21	32161114	1	Plug	(1)
22	32114143	1	Plug	(1)
23	31134128	1	Bush	(1)
30	4142V002	1	Housing	[X] . 1. 2. 4
31		1		(30) Not serviced, order REF.30
32	2418F475	1	Seal	(30)
33	33826115	1	GASKET	[X] . 1. 2. 4
34	0350015	2	Dowel	
35	2183205	9	Screw	
36	390972X1	9	Washer	
			Metric	
40	37147975	1	Plate	
41	0610045	1	Pin	
42	37813113	1	Plug	
43	0350016	2	Dowel	
44	0720798	2	Screw	
45	0746454	6	BOLT	
46	0920054	6	Washer	
50	3765T011	1	Connection	
51	3686J003	1	GASKET	
52	2217072	2	Stud	
53	0576002	2	Nut	
54	0920053	2	Washer	
60	35352404	1	Pipe,Oil	
61		1		(60) Not serviced, order REF.60
62	0576111	1	Nut	(60)
63	0566002	1	Olive	(60)
64	0576111	1	Nut	(60)
65	0566002	1	Olive	(60)
66	0201047	1	Connection	
67	0201047	1	Connection	
68	35568109	1	Pipe,Oil	
69		1	PIPE	(68) Not serviced, order REF.68
70	0576111	1	Nut	(68)

CYLINDER BLOCK-T3.152.4 ENGINE

Item	Part Number	Qty	Description	Comments
71	0566002	1	Olive	(68)
72	0095350	1	Bolt	
73	2411118	1	Washer	
74	2411118	1	Washer	
75	0201047	1	Connection	
80	37556191	1	Plate	[E]
81	36862605	1	GASKET	
82	2183205	3	Screw	[F]
82	2183203	3	Screw	[G]
83	0920053	3	Washer	
90	3681E024	1	GASKET	[X]

. 4. 4. 8

[A]

PRESS FIT

[B]

SLIP FIT

[X]

QTY PER TRACTORS SOLD (AA.BBB.CCC.DDD) (AA) FOR 1 ,(BBB) 2-10 (CCC) 11-25 (DDD) 26-50

[D]

FITTED IN PLACE OF OIL PRESSURE RAIL PLUG SUPPLIED WITH CYLINDER BLOCK ASSEM

[C]

REMOVE AND FIT 0650594

[F]

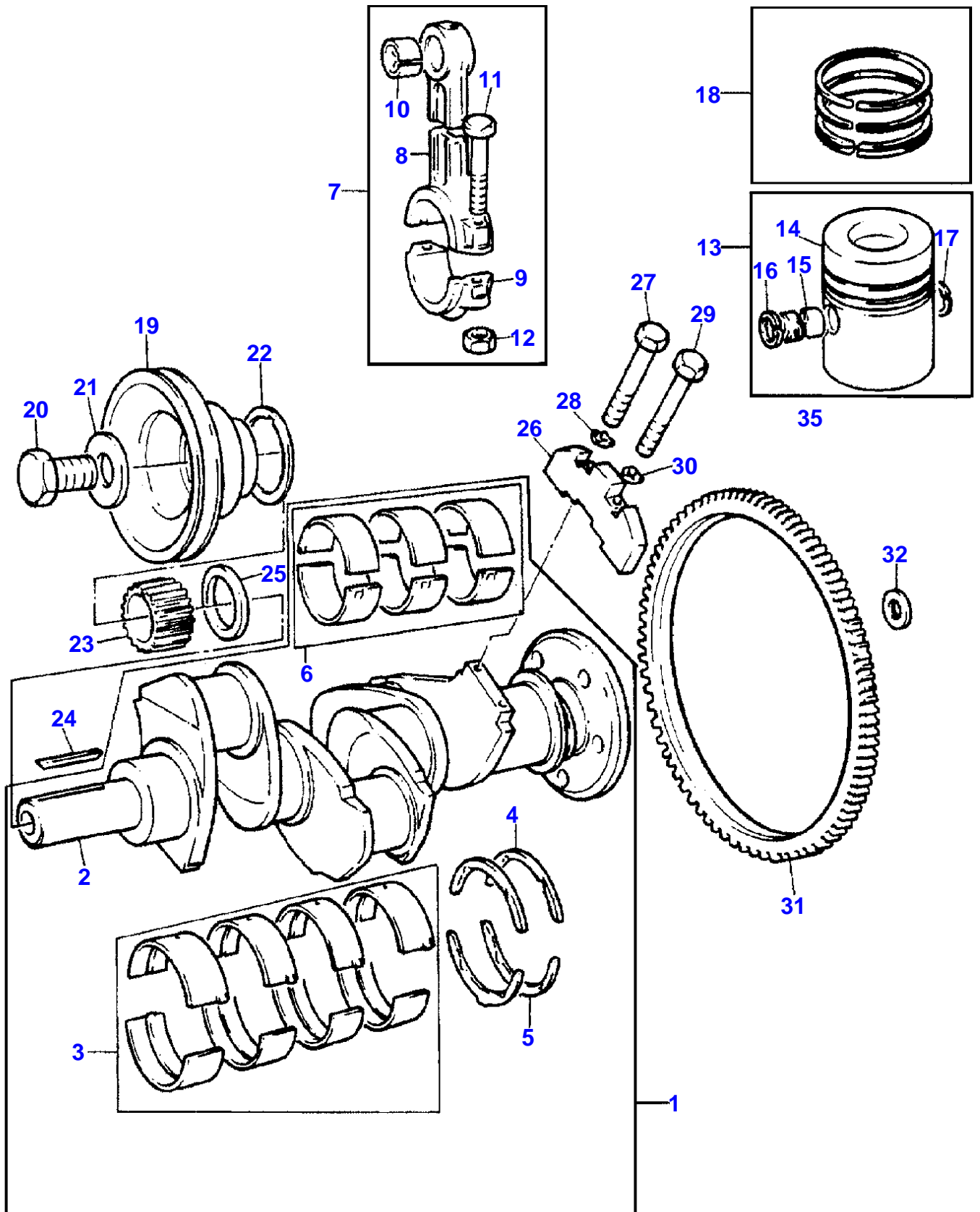
USED ONLY WITH 37416753

[G]

USED ONLY WITH 37556191

[E]

WAS 37416753 - USE 37556191 WITH 2183203-3



MASSEY FERGUSON

MF 364 VQ TRACTOR, CAB, |-> 01/07/94 - 3540276

3540276

CRANKSHAFT, PISTONS AND CONNECTING RODS-T3.152.4 ENGINE

4

Item	Part Number	Qty	Description	Comments
1	ZZ90106	1	SHAFT	
2		1		(1) Not serviced, order REF.1
3	U5MB0008	1	KIT	[A, X] . 1. 2. 3
3	68084A	X	Kit, Bearing	[A] Thickness (-)0.25MM Thickness (-)0.010 U5MB0008A
3	U5MB0008B	X	KIT	[A] Thickness (-)0.50MM Thickness (-)0.020
3	U5MB0008C	X	KIT	[A] Thickness (-)0.75MM Thickness (-)0.030
4	31137211	2	Thrust Washer	[X] (1) . 1. 2. 3
4	31137212	X	Washer	Thickness (+)0.19MM Thickness (+)0.0075
5	31137221	2	Thrust Washer	[X] (1) . 1. 2. 3
5	31137222	X	Washer	Thickness (+)0.19MM Thickness (+)0.0075
6	U5ME0005	1	KIT	[A, X] (1) . 1. 2. 3
6	U5ME0005A	X	KIT	[A] Thickness (-)0.25MM Thickness (-)0.010
6	U5ME0005B	X	KIT	[A] Thickness (-)0.50MM Thickness (-)0.020
6	U5ME0005C	X	KIT	[A] Thickness (-)0.75MM Thickness (-)0.030
7	ZZ90010	1	Kit, Conrod	[X] . 3. 6. 9
8		1	CONROD	(7) Not serviced, order REF.7
9		1	SUPPORT	(7) Not serviced, order REF.7
10	31134151	1	Bush	(7)
11	0095250	2	Bolt	(7)
12	33221327	2	Nut	(7)
13	U5LP0029	3	Kit, Piston	[B]
	U5LU0023	3	Kit, Piston	[C, X] . 3. 6. 9
14		1	PISTON	(13) Not serviced, order REF.13
15		1		(13) Not serviced, order REF.13
16	0170001	1	Circlip	(13)
17	0170001	1	Circlip	(13)
18	4181A017	3	Kit, Piston Ring	[X] . 3. 6. 9
19	31147788	1	PULLEY	
20	32162331	1	Screw	
21	33125112	1	Washer	
22	33176137	1	Washer	
23	31163495	1	GEAR	[D, G] Number of teeth/spines 25
23	31163495	1	GEAR	[E, H] Number of teeth/spines 25
24	36271704	1	Woodruff Key	
25	33125151	1	SPACER	
26	31328242	2	Weight	[F]
27	2185189	2	Screw	
28	31731515	2	Washer	Right Hand
29	2185189	2	Screw	
30	31731516	2	Washer	Left Hand
31	3552228M1	1	CROWNWHEEL	Number of teeth/spines 115

MASSEY FERGUSON

MF 364 VQ TRACTOR, CAB, |-> 01/07/94 - 3540276

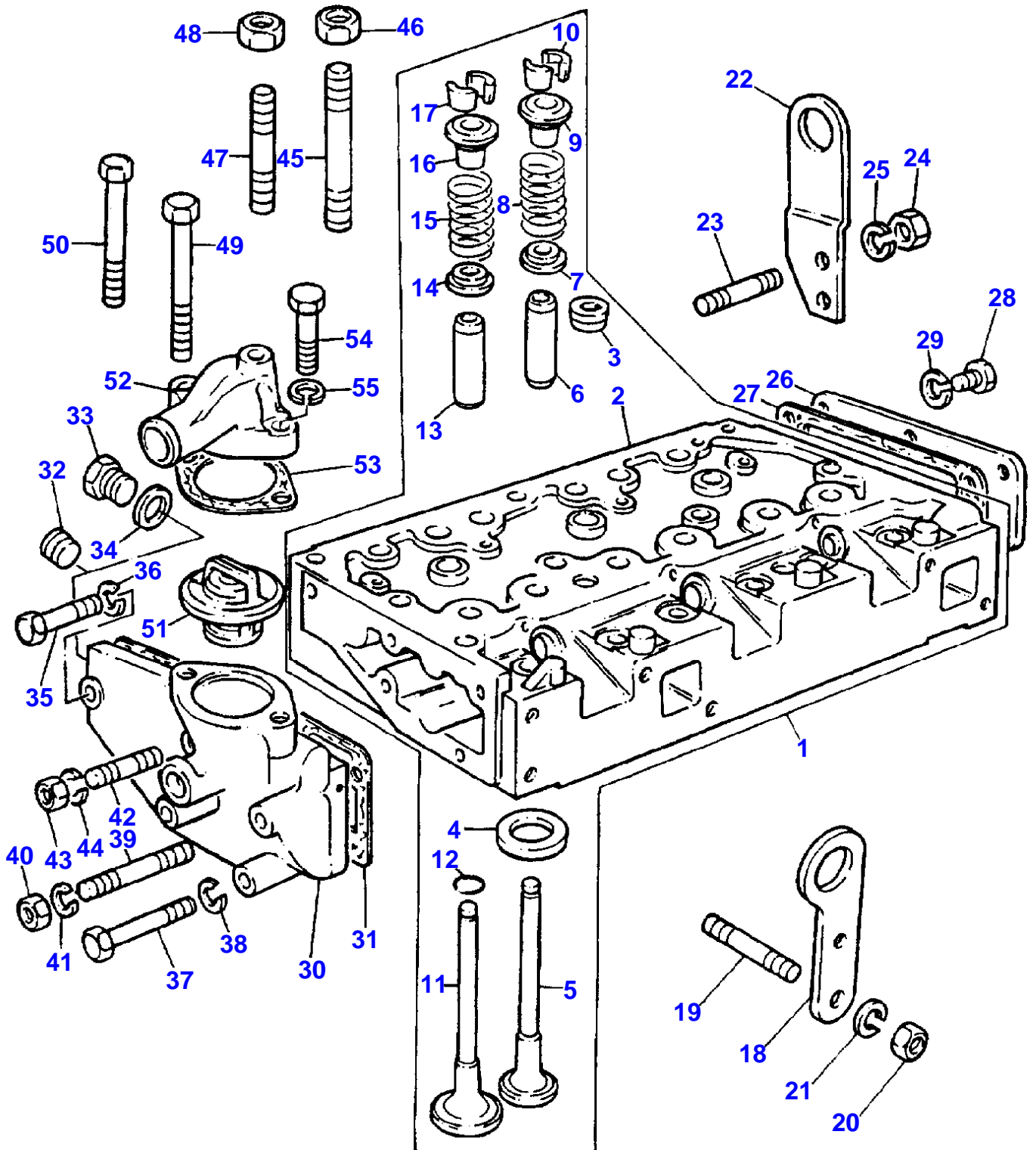
3540276

CRANKSHAFT, PISTONS AND CONNECTING RODS-T3.152.4 ENGINE

4

Item	Part Number	Qty	Description	Comments
32	33117127	6	Washer	

[A]  
PRE-FINISHED  
[C]  
PRE-TOPPED  
[B]  
UNTOPPED  
[X]  
QTY PER TRACTORS SOLD (AA.BBB.CCC.DDD) (AA) FOR 1 ,(BBB) 2-10 (CCC)  
11-25 (DDD) 26-50  
[D]  
FOR ENGINES BUILT TO BUILD LIST CN31198 (3553117M9 1).  
[E]  
FOR ENGINES BUILT TO BUILD LIST CN31225 (3553116M9 1).  
[G]  
STD.HYDRAULIC LINES  
[H]  
SINGLE HYDRAULIC LINES  
[F]  
REPLACES 31328241 IN ENGINE SETS ONLY(QTY 2).



**Buy Now**



Our support email:

[ebooklibonline@outlook.com](mailto:ebooklibonline@outlook.com)