

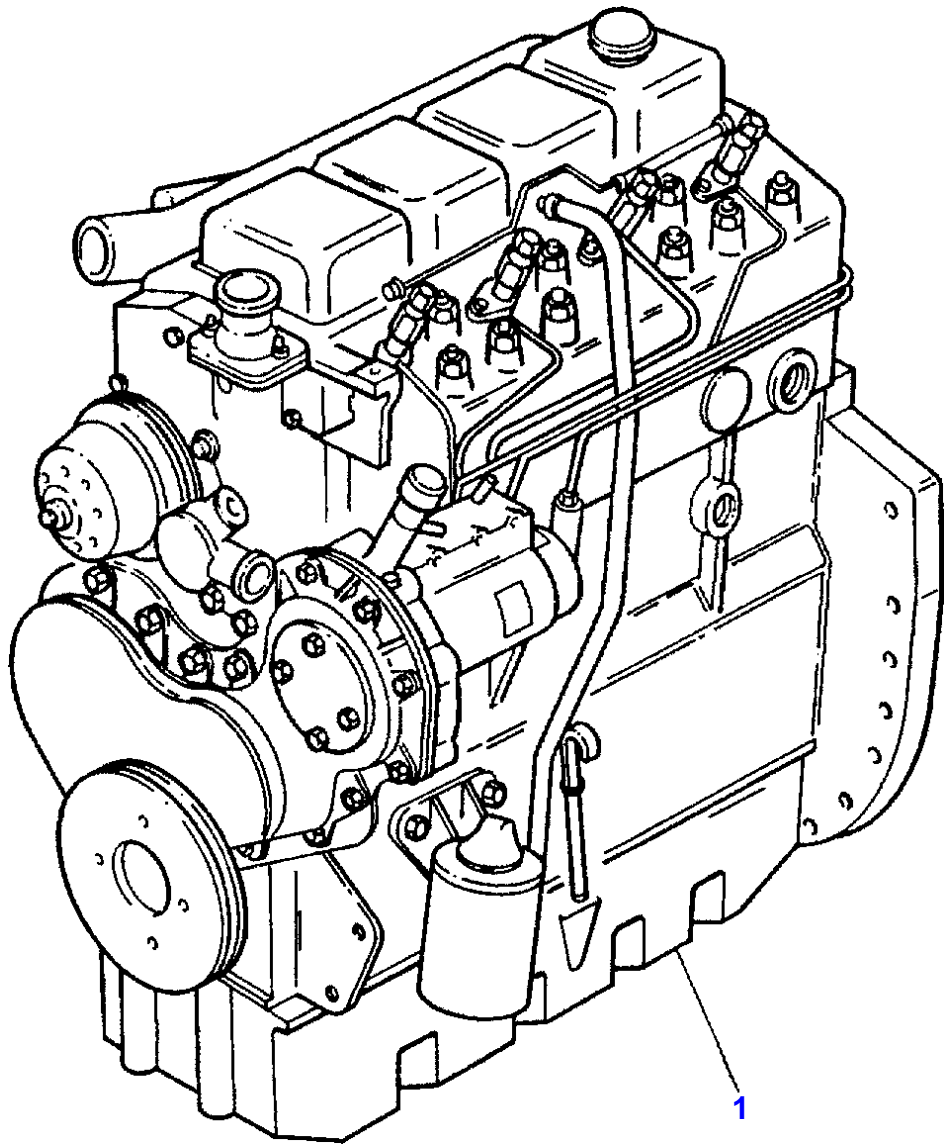
Page Title	Page Number
ENGINE ASSEMBLY-A4.236 ENGINE	1
SHORT ENGINE-A4.236 ENGINE	2
CYLINDER BLOCK-A4.236 ENGINE	3
CRANKSHAFT, PISTONS AND CONNECTING RODS-A4.236 ENGINE	4
CYLINDER HEAD-A4.236 ENGINE	5
ROCKER SHAFT-A4.236 ENGINE	6
TIMING GEAR AND CAMSHAFT-A4.236 ENGINE	7
BALANCER UNIT-A4.236 ENGINE	8
FUEL INJECTION EQUIPMENT-A4.236 ENGINE	9
LUBRICATING OIL SUMP-A4.236 ENGINE	10
LUBRICATING OIL FILTER AND INTEGRAL COOLER-A4.236 ENGINE	11
WATER PUMP, THERMOSTAT AND HEAT EXCHANGER-A4.236 ENGINE	12
FUEL SYSTEM AND FILTER-A4.236 ENGINE	13
AIR INDUCTION AND EXHAUST SYSTEM-A4.236 ENGINE	14
ALTERNATOR POSITIONER-A4.236 ENGINE	15
JOINTS AND GASKETS-A4.236 ENGINE	16
LUBRICATING OIL COOLER AND FILTER-A4.236 ENGINE	17
ALTERNATOR	18
ALTERNATOR-VALEO TYPE	19
ALTERNATOR-ISKRA TYPE	20
STARTER MOTOR-MARELLI TYPE	21
STARTER MOTOR-BOSCH	22
STARTER MOTOR-ISKRA TYPE	23
COOLING SYSTEM-FAN AND HOSES	24
COOLING SYSTEM-RADIATOR AND BRACKET	25
COOLING SYSTEM-SHIELD FAN	26
FUEL SYSTEM	27
FUEL TANK	28
DRY AIR FILTER-DRY AIR CLEANER	29
EXHAUST SYSTEM	30
EXHAUST SYSTEM	31
THROTTLE CONTROLS	32
THROTTLE CONTROLS	33
INSTRUMENT PANEL	34
INSTRUMENT PANEL	35
BATTERY	36
ELECTRONIC HARNESS	37
ELECTRICAL WIRING-FRONT	38
ELECTRICAL WIRING-REAR	39
LIGHTING EQUIPMENT	40
LIGHTING EQUIPMENT-LIGHTS	41
CLUTCH-O.M.G. - 11	42
CLUTCH-LUK - 11	43
CLUTCH-O.M.G. - 12	44
CLUTCH-LUK - 12	45
CLUTCH PEDAL AND LINKAGE	46
LOWER CLUTCH P.T.O.	47
CENTRE AXLE HOUSING AND TRANSMISSION HOUSING	48
CENTRE AXLE HOUSING AND TRANSMISSION HOUSING	49
TRANSMISSION	50
TRANSMISSION	51
SHIFT LEVERS	52
GEAR BOX	53
REDUCER OPTION-FOR SHUTTLE VERSION ONLY.	54
GEAR BOX-FOR SHUTTLE VERSION ONLY.	55
GEAR BOX-FOR SPECIAL OPTIONS VERSION ONLY	56
REDUCER OPTION-OVERDRIVE AND SHUTTLE VERSION	57
REDUCER OPTION-OVERDRIVE AND UNDERDRIVE VERSION	58
REDUCER OPTION-OVERDRIVE AND CREEPER VERSION	59
REDUCER OPTION-UNDERDRIVE AND SHUTTLE VERSION	60
REDUCER OPTION-UNDERDRIVE E CREEPER VERSION	61
REDUCER OPTION-SHUTTLE AND CREEPER VERSION	62
PTO SHAFT-STANDARD TYPE	63
PTO SHAFT-540/750/1000 R.P.M.	64
PTO-CONTROL-STANDARD TYPE	65
PTO-CONTROL-540/750/1000 R.P.M.	66

TABLE OF CONTENT

TRANSFER GEAR BOX AND DRIVE SHAFT:	67
4 WHEEL DRIVE CONTROLS	68
REAR AXLE	69
REAR AXLE	70
DIFFERENTIAL LOCK CONTROLS	71
DIFFERENTIAL LOCK CONTROLS	72
BRAKE AND CONTROLS-PEDALS	73
BRAKE AND CONTROLS-PIPINGS	74
BRAKE AND CONTROLS	75
BRAKES	76
MASTER CYLINDER-BRAKE PUMP	77
BRAKE CYLINDER	78
TRAILER BRAKES-ITALY TYPE	79
TRAILER BRAKES-FRANCE TYPE	80
REAR WHEELS	81
FRONT WHEELS	82
FRONT AXLE 2 WHEEL DRIVE	83
FRONT AXLE 4 WHEEL DRIVE-WITH DISCBRAKES	84
FRONT AXLE 4 WHEEL DRIVE-WITH DISCBRAKES	85
FRONT AXLE 4 WHEEL DRIVE-WITH FRONT BRAKING	86
FRONT AXLE 4 WHEEL DRIVE-WITH FRONT BRAKING	87
FRONT AXLE 4 WHEEL DRIVE	88
FRONT AXLE 4 WHEEL DRIVE-WITH DISCBRAKES	89
STEERING HYDRAULIC LINES	90
STEERING HYDRAULIC LINES	91
STEERING ORBITROL UNIT-2 WHEEL DRIVE	92
STEERING ORBITROL UNIT-4 WHEELS DRIVE	93
STEERING-PUMP-TUROLA	94
STEERING-PUMP-BOSCH	95
STEERING CYLINDER	96
STEERING CYLINDER	97
HYDRAULIC EQUIPMENT-HIDRAULIC LINES STD.	98
HYDRAULIC EQUIPMENT-HIDRAULIC LINES STD.	99
HYDRAULIC EQUIPMENT-SINGLE HYDRAULIC LINES	100
HYDRAULIC EQUIPMENT-SINGLE HYDRAULIC LINES	101
HYDRAULIC PUMP-BOSCH	102
HYDRAULIC PUMP-BOSCH	103
HYDRAULIC LIFT-WITH ELECTRONIC LIFT	104
HYDRAULIC LIFT-WITH ELECTRONIC LIFT	105
ELECTRICAL WIRING-WITH ELECTRONIC LIFT	106
ELECTRICAL WIRING	107
ELECTRICAL WIRING	108
HYDRAULIC LIFT VALVE-BOSCH	109
AUXILIARY HYDRAULIC VALVE LINES	110
AUXILIARY HYDRAULIC VALVE LINES	111
HYDRAULIC LIFT CYLINDER-RIGHT-HAND LIFT ROD LEVELLING BOX	112
HYDRAULIC LIFT CYLINDER-RIGHT-HAND LIFT ROD LEVELLING BOX	113
HYDRAULICS AND LINKAGE-HYDRAULIQUE CONTROL	114
AUXILIARY HYDRAULIC VALVE LINES-SALAMI TYPE	115
AUXILIARY HYDRAULIC VALVE LINES-SALAMI TYPE	116
AUXILIARY HYDRAULIC VALVE LINES-SALAMI TYPE	117
AUXILIARY HYDRAULIC VALVE LINES-SALAMI TYPE	118
AUXILIARY HYDRAULIC VALVE LINES-SALAMI TYPE	119
AUXILIARY HYDRAULIC VALVE LINES-SALAMI TYPE	120
AUXILIARY HYDRAULIC VALVE LINES	121
AUXILIARY HYDRAULICS VALVE STANDARD-SALAMI TYPE	122
AUXILIARY HYDRAULICS VALVE STANDARD-SALAMI TYPE	123
AUXILIARY HYDRAULICS FLOATING-SALAMI TYPE	124
AUXILIARY HYDRAULICS FLOATING-SALAMI TYPE	125
AUXILIARY HYDRAULICS VAVE KICK-OUT-SALAMI TYPE	126
AUXILIARY HYDRAULICS VAVE KICK-OUT-SALAMI TYPE	127
AUXILIARY VALVE FOR HYDRAULIC ENGINE-SALAMI TYPE	128
AUXILIARY VALVE FOR HYDRAULIC ENGINE-SALAMI TYPE	129
PLATE FOR AUXILIARY HYDRAULIC VALVE-SALAMI TYPE	130
HOLDING FIXTUR COVER AUXILIARY HYDRAULIC VALVE.-SALAMI TYPE	131
LINKAGE	132
LINKAGE	133
LINKAGE-QUICK ATTACH	134

TABLE OF CONTENT

LINKAGE-QUICK ATTACH	135
LINKAGE-QUICK ATTACH	136
SHEET METAL	137
SHEET METAL	138
SHEET METAL	139
SHEET METAL	140
SHEET METAL	141
DECALS	142
DECALS	143
DECALS	144
SUPPORTS PLATFORM	145
SUPPORTS PLATFORM	146
FENDERS AND SUPPORTS	147
FENDERS - FRONT	148
SEAT	149
SEAT	150
SEAT	151
SEAT	152
SEAT	153
TRACTOR CAB	154
TRACTOR CAB-FRONT - WINDSCRENN	155
TRACTOR CAB-LOWER FIXED COMPONENTS	156
TRACTOR CAB	157
TRACTOR CAB-LEFT SIDE - RIGHT SIDE	158
TRACTOR CAB-REAR AND BRACKET	159
TRACTOR CAB-OUTSIDE AND INTERNAL	160
TRACTOR CAB	161
TRACTOR CAB	162
TRACTOR CAB	163
TRACTOR CAB	164
ROTATING LIGHT	165
WEIGHT FRAME AND WEIGHTS W	166
REAR HOOK	167
REAR HOOK	168
REAR HOOK-STANDARD TYPE	169
DRAWBAR-HEAVY DUTY	170
TOOL KIT	171



MASSEY FERGUSON

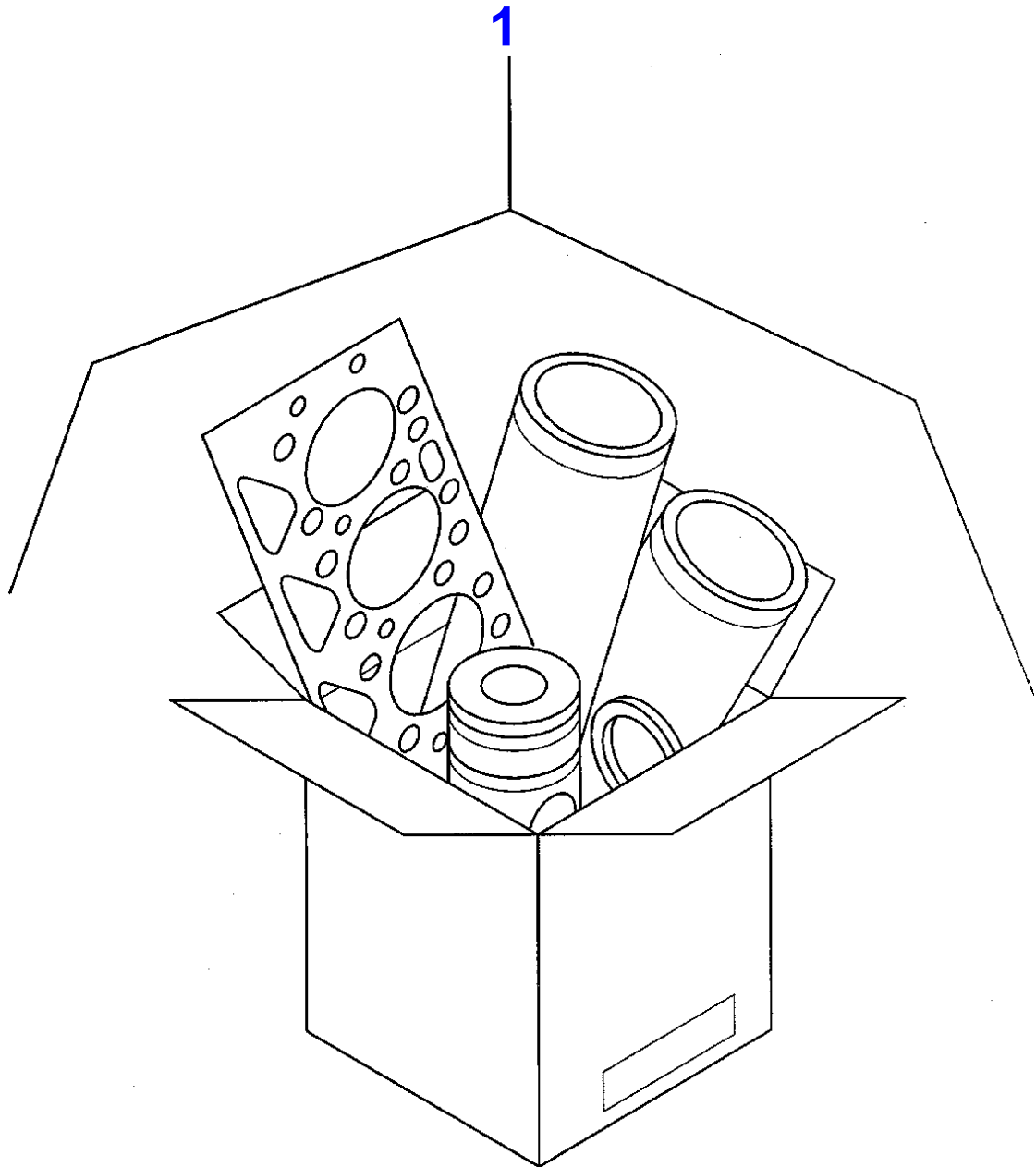
MF 374 VQ CAB TRACTOR, |-> 02/95 - 3540277

3540277

ENGINE ASSEMBLY-A4.236 ENGINE

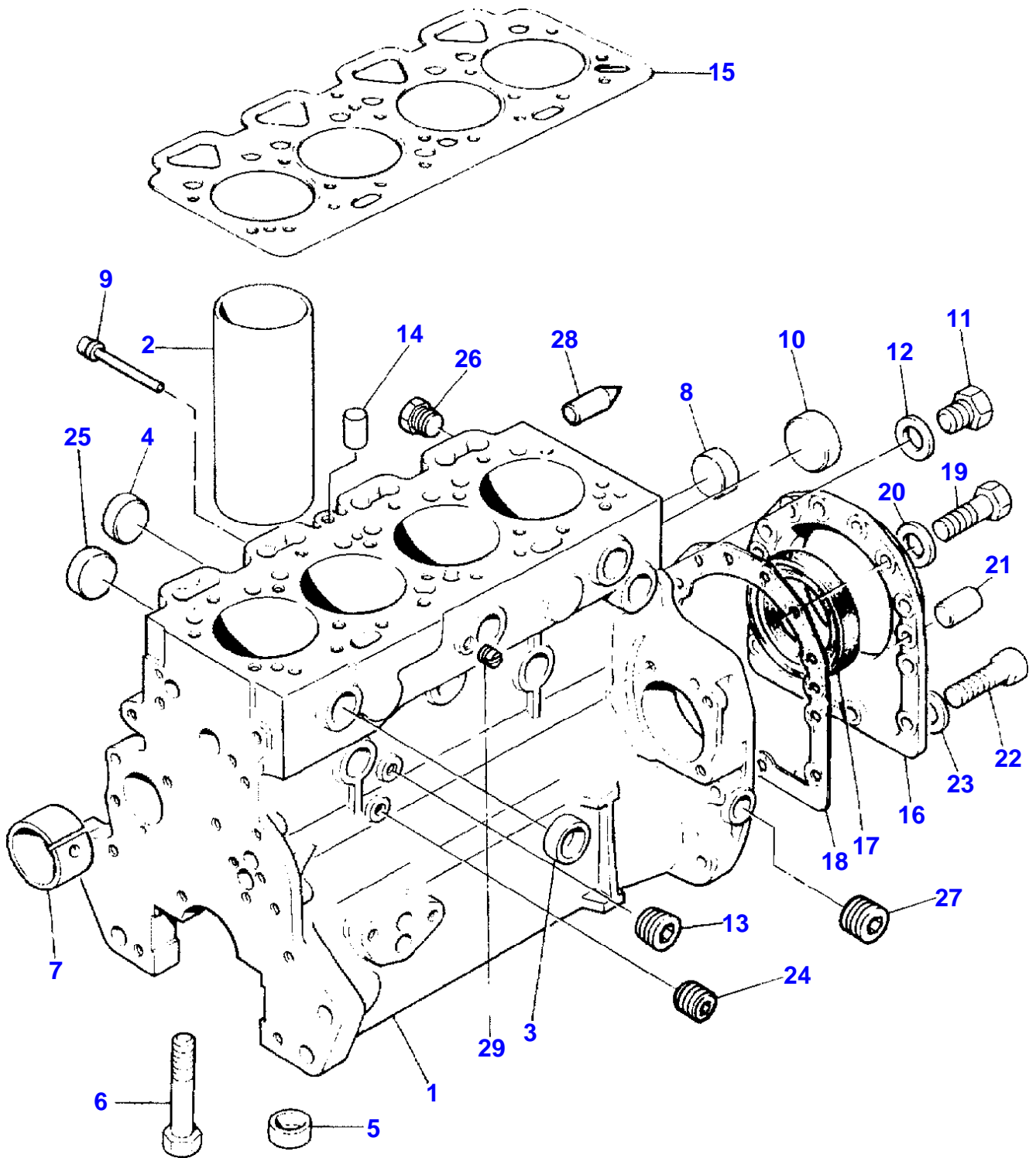
1

Item	Part Number	Qty	Description	Comments
1	3553131M91	1	Engine	"LD31202"PK



SHORT ENGINE-A4.236 ENGINE

Item	Part Number	Qty	Description	Comments
1	LD39336	1	SHORT ENGINE	
2		1		[A] (1)
		4		(1)
		1		(1)
		4		(1)
		4		(1)
		4		(1)
		10		(1)
		8		(1)
		4		(1)
		1		(1)
		1	HOUSING	(1)
		22		(1)
		1		(1)
				[A]
				COMPLETE WITH PLUGS



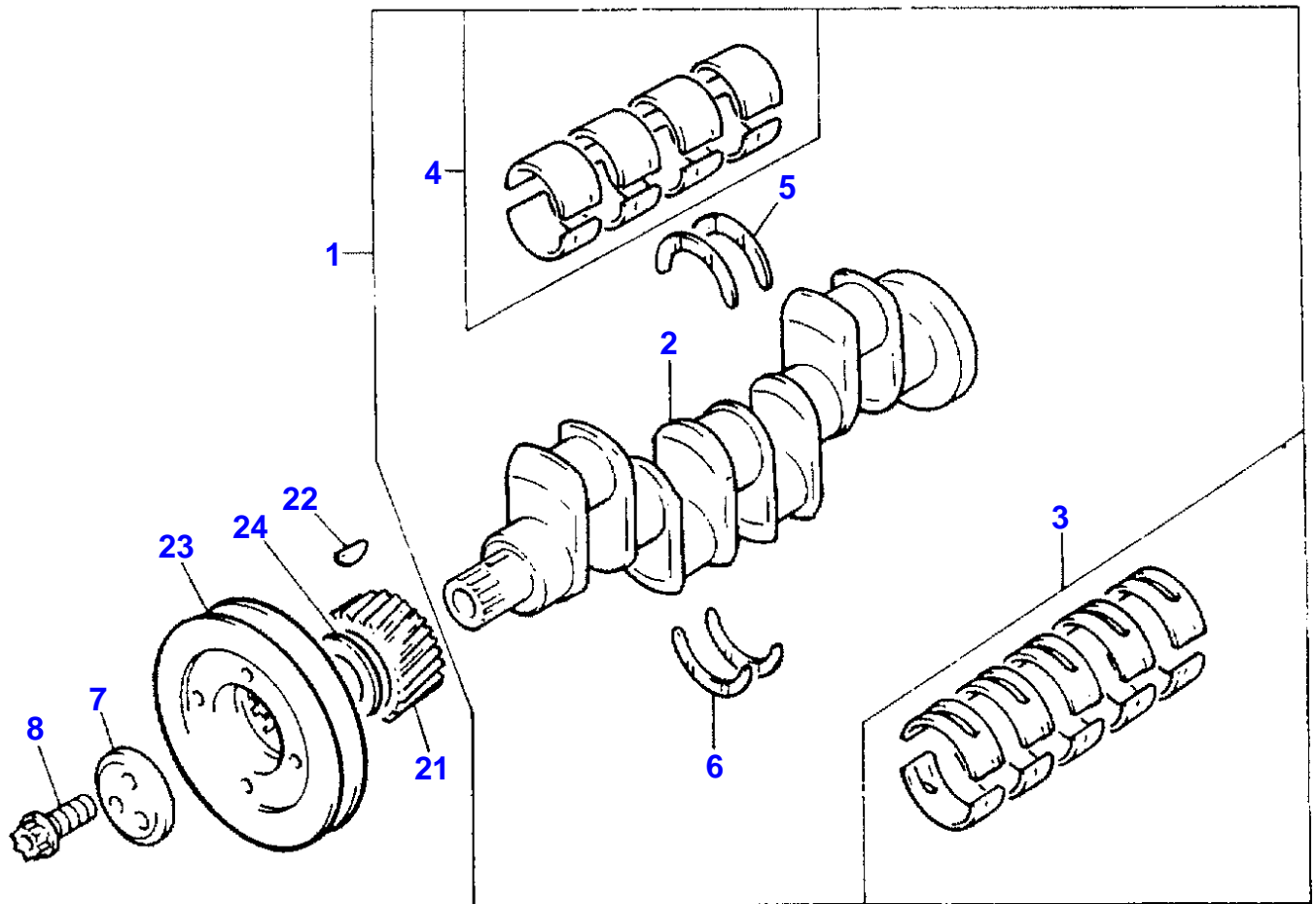
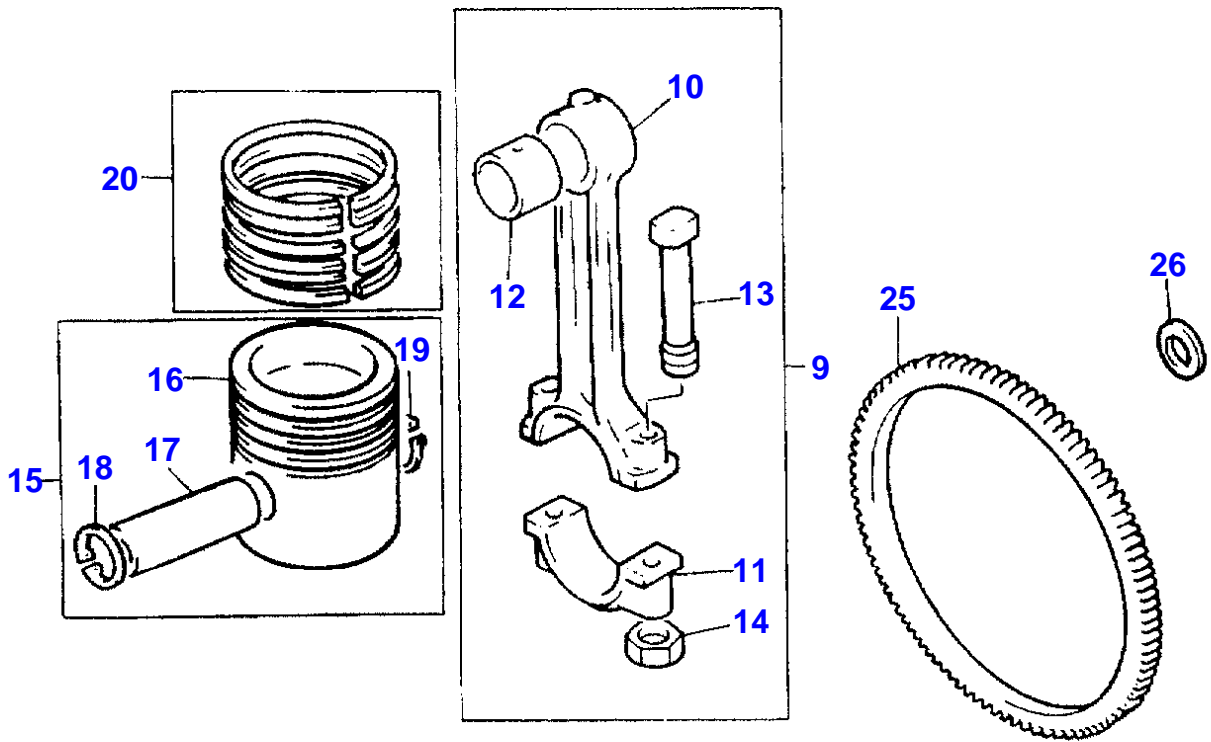
CYLINDER BLOCK-A4.236 ENGINE

Item	Part Number	Qty	Description	Comments
1	ZZ50226	1	KIT	
2	3135X031	4	Liner	[A, X] (1) . 4. 8. 16
2	3135X032	1	Liner	[B, X] . 4. 4. 8
3	0650710	6	Plug	(1)
4	32418122	4	Plug	(1)
5	33142111	10	Thimble	(1)
6	32166329	10	Bolt	(1)
7	31134165	1	BUSH	(1)
8	0650710	2	Plug	(1)
9	2485A204	1	Plug	(1)
10	32416119	1	PLUG	(1)
11	32168212	1	PLUG	(1)
12	3311R003	1	Washer	(1)
13	0650588	2	Plug	(1)
14	32417134	1	Plug	
15	3681E034	1	GASKET	[X] . 1. 2. 4
16	4142V066	1	FLANGE	
17	2418F475	1	Seal	[X] (16) . 1. 2. 4
18	3681T012	1	GASKET	
19	0746211	12	Bolt	
20	390972X1	12	Washer Metric	
21	0350009	2	Dowel	
22	2172530	2	Capcrew	
23	33112111	2	Washer	
24	0650594	1	Plug	
25	32416118	4	PLUG	
26	32161114	2	Plug	
27	0650588	1	Plug	
28	32452113	1	Pointer	
29	32114143	1	Plug	

[A]
PRESS FIT

[B]
SLIP FIT

[X]
QTY PER TRACTORS SOLD (AA.BBB.CCC.DDD) (AA) FOR 1 ,(BBB) 2-10 (CCC)
11-25 (DDD) 26-50



CRANKSHAFT, PISTONS AND CONNECTING RODS-A4.236 ENGINE

Item	Part Number	Qty	Description	Comments
1	ZZ90081	1	Kit, Crankshaft	[X] . 0. 0. 1
2		1		(1) Not serviced, order REF.1
3	81558	1	Kit, Bearing	[A, X] (1) . 1. 2. 3
3	81558A	X	Kit, Bearing	[A] Thickness (-)0.25MM Thickness (-)0.010
3	81558B	X	Kit, Bearing	[A] Thickness (-)0.50MM Thickness (-)0.020
3	81558C	X	Kit, Bearing	[A] Thickness (-)0.75MM Thickness (-)0.030
4	85042	1	Kit, Bearing	[A, X] (1) . 0. 1. 2
4	85042A	X	Kit, Bearing	[A] Thickness (-)0.25MM Thickness (-)0.010
4	85042B	X	Kit, Bearing	[A] Thickness (-)0.50MM Thickness (-)0.020
4	85042C	X	Kit, Bearing	[A] Thickness (-)0.75MM Thickness (-)0.030
5	31137551	2	Thrust Washer	[X] (1) . 0. 2. 4
5	31137312	X	Thrust Washer	Thickness (+)0.19MM Thickness (+)0.0075
6	31137561	2	Thrust Washer	[X] (1) . 0. 2. 4
6	31137322	X	Thrust Washer	[X] Thickness (+)0.19MM Thickness (+)0.0075 . 1. 2. 4
7	3242T001	1	Thrust Block	[D]
8	32186139	3	Screw	[D]
9	ZZ90009	4	Kit, Conrod	[X] . 0. 4. 8
10		1	CONROD	(9) Not serviced, order REF.9
11		1		(9) Not serviced, order REF.9
12	31134123	1	Bush	[X] (9) . 4. 8. 16
13	32762145	1	SCREW	[X] (9) . 4. 8. 16
14	33221328	1	Nut	[X] (9) . 4. 8. 16
15	U5LU0025	4	Kit, Piston	[B, X] . 4. 8. 16
15	U5LP0035	4	Kit, Piston	[C, X] . 4. 8. 16
16		1	PISTON	(15) Not serviced, order REF.15
17		1		(15) Not serviced, order REF.15
18	0170002	1	Circlip	(15)
19	0170002	1	Circlip	(15)
20	41158041	4	Kit, Piston Ring	[X] . 4. 8. 16
21	31171681	1	Gear,Crankshaft	[X] Number of teeth/spines 28 . 1. 2. 4
22	0500012	1	Woodruff Key	
23	31148798	1	Pulley,Crank	
24	33125416	1	Washer	[E]
25	3552228M1	1	CROWNWHEEL	Number of teeth/spines 115
26	33117127	6	Washer	

MASSEY FERGUSON

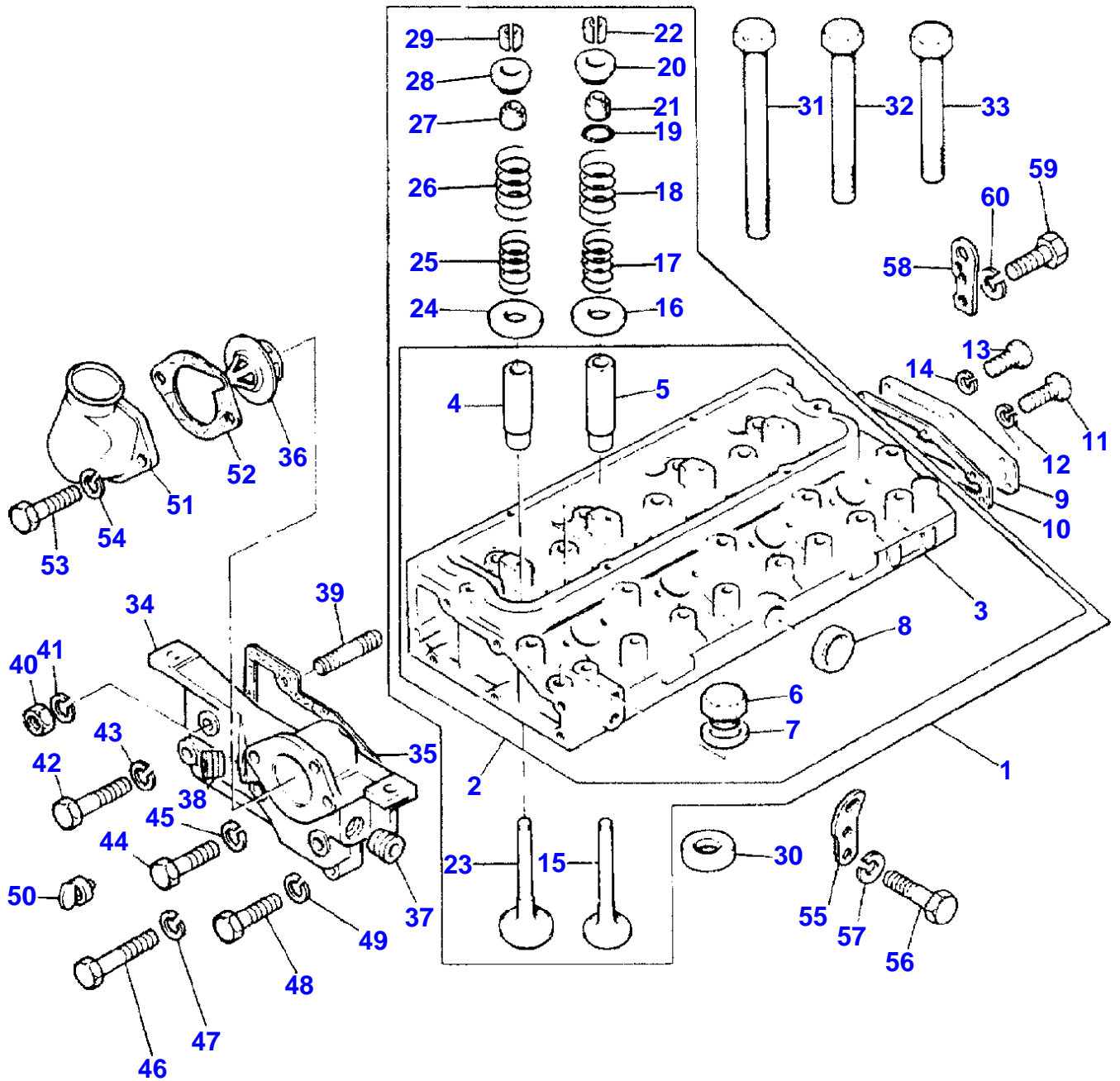
MF 374 VQ CAB TRACTOR, |-> 02/95 - 3540277

3540277

CRANKSHAFT, PISTONS AND CONNECTING RODS-A4.236 ENGINE

4

Item	Part Number	Qty	Description	Comments
				[A] PRE-FINISHED
				[C] PRE-TOPPED
				[B] UNTOPPED
				[X] QTY PER TRACTORS SOLD (AA.BBB.CCC.DDD) (AA) FOR 1 ,(BBB) 2-10 (CCC) 11-25 (DDD) 26-50
				[D] NOT SUPPLIED WITH ASSEMBLY
				[E] USED ONLY WITH 31148797



CYLINDER HEAD-A4.236 ENGINE

Item	Part Number	Qty	Description	Comments
1	ZZ80175	1	CYLINDER HEAD	[X] . 0. 0. 1
2	ZZ80176	1	CYLINDER HEAD	[F] (1) (2) Not serviced, order REF.2
3		1		
4	3343F031	4	GUIDE	[C, X] (2) . 0. 4. 8
5	3343F031	4	GUIDE	[C, X] (2) . 0. 4. 8
6	0650203	1	Plug	(2)
7	2411157	1	Washer	(2)
8	0650710	1	Plug	(2)
9	3623K007	1	Plate	
10	3687M018	1	GASKET	
11	0746452	2	Setscrew	
12	0920054	2	Washer	
13	2183205	4	Screw	
14	0920053	4	Washer	
15	31431881	4	Valve Exhaust	[D, G, X] Alternative 31431886 . 4. 8. 16
15	3142A052	4	Valve Exhaust	[C, H, X] (1) . 0. 4. 8
15	31431882	X	Valve Exhaust	[B, G, X] Thickness (+) 0,003 . 4. 8. 16
15	3142A053	X	Valve Exhaust	[B, H] Thickness (+) 0.003
15	31431883	X	Valve Exhaust	[B, G] Thickness (+) 0,015
15	3142A054	X	Valve Exhaust	[B, H] Thickness (+) 0,015
15	31431884	X	Valve Exhaust	[B, G] Thickness (+) 0,030
15	3142A055	X	Valve Exhaust	[B, H] Thickness (+) 0,030
16	33415118	4	Washer	[X] (1) . 4. 8. 16
17	31744131	4	Spring	[J, X] (1) . 4. 8. 16
17	31744133	4	Spring	[K] (1)
18	31745121	4	Spring	[J, X] (1) . 4. 8. 16
18	31745122	4	Spring	[K] (1)
19	2415B201	4	O Ring	[J, X] (1) . 4. 8. 16
20	33423147	4	Cap	[J, X] (1) . 4. 8. 16
20	33424107	4	Cap	[K] (1)
21	33817117	4	Seal	[X] (1) . 4. 8. 16
22	33173108	8	Cotter	[A, X] (1) . 4. 8. 16
23	31431641	4	Valve Inlet	[D, X] (1) . 0. 4. 8
23	31431315	4	Valve Inlet	[E] (1)
	31431401	X	Valve Inlet	[B, D, X] Thickness (+) 0.003 . 4. 8. 16
23	31431316	X	VALVE	[B, E] Thickness (+) 0.003
23	31431402	X	Valve Inlet	[B, D] Thickness (+) 0,015
23	31431317	X	VALVE	[B, E] Thickness (+) 0,015
23	31431403	X	Valve Inlet	[B, D] Thickness (+) 0,030
23	31431318	X	VALVE	[B, E]

Buy Now



Our support email:

ebooklibonline@outlook.com