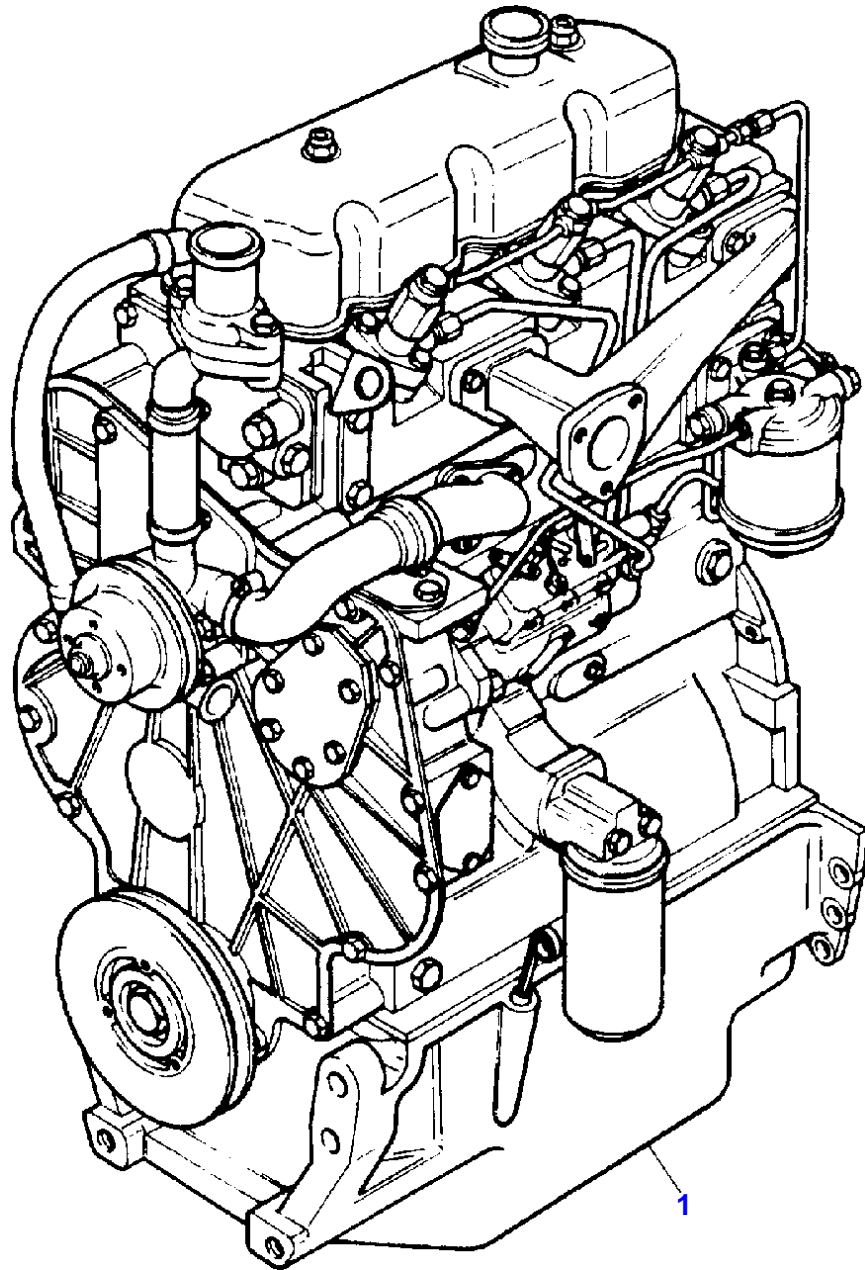


Page Title	Page Number
ENGINE ASSEMBLY-AD3.152 ENGINE	1
SHORT ENGINE-TABLE PK ACEC9106	2
CYLINDER BLOCK-AD3.152 ENGINE	3
CRANKSHAFT, PISTONS AND CONNECTING RODS-AD3.152 ENGINE	4
CYLINDER HEAD-AD3.152 ENGINE	5
ROCKER SHAFT-AD3.152 ENGINE	6
TIMING GEAR AND CAMSHAFT-AD3.152 ENGINE	7
FUEL INJECTION EQUIPMENT-AD3.152 ENGINE	8
LUBRICATING OIL SUMP-AD3.152 ENGINE	9
LUBRICATING OIL FILTER AND INTEGRAL COOLER-AD3.152 ENGINE	10
WATER PUMP, THERMOSTAT AND HEAT EXCHANGER-AD3.152 ENGINE	11
FUEL SYSTEM AND FILTER-AD3.152 ENGINE	12
AIR INDUCTION AND EXHAUST SYSTEM-AD3.152 ENGINE	13
ALTERNATOR POSITIONER-AD3.152 ENGINE	14
JOINTS AND GASKETS-AD3.152 ENGINE	15
ALTERNATOR-LUCAS	16
ALTERNATOR-ISKRA TYPE	17
ALTERNATOR-VALEO TYPE	18
STARTER MOTOR-MARELLI TYPE	19
STARTER MOTOR-BOSCH	20
STARTER MOTOR-ISKRA TYPE	21
COOLING SYSTEM-FAN AND HOSES	22
COOLING SYSTEM-RADIATOR AND BRACKET	23
FUEL SYSTEM	24
FUEL SYSTEM	25
FUEL TANK-TANK STD	26
DRY AIR FILTER-DRY AIR CLEANER	27
EXHAUST SYSTEM	28
THROTTLE CONTROLS	29
INSTRUMENT PANEL-CENTRAL ELECTRICAL EQUIPEMENT.	30
INSTRUMENT PANEL-POINTERS	31
BATTERY BATTERY CASE	32
ELECTRONIC HARNESS-CENTRAL ELECTRICAL EQUIPEMENT.	33
ELECTRICAL WIRING-REAR	34
SENSORS HARNESS-FRONT	35
LIGHTING EQUIPMENT-LIGHTS	36
CLUTCH-O.M.G. - 11	37
CLUTCH-LUK - 11	38
CLUTCH CONTROL	39
LOWER CLUTCH P.T.O.	40
CLUTCH CONTROL-CLUTCH SHAFT BRAKING SISTEM	41
CENTRE AXLE HOUSING AND TRANSMISSION HOUSING	42
CENTRE AXLE HOUSING AND TRANSMISSION HOUSING	43
TRANSMISSION	44
TRANSMISSION	45
SHIFT LEVERS	46
TRANSMISSION CONTROL	47
PTO SHAFT-STANDARD TYPE	48
PTO SHAFT-540/750/1000 R.P.M.	49
REAR AXLE-FINAL DRIVE	50
BRAKE AND CONTROLS	51
STEERING CONTROL DEVICE	52
STEERING CLUTCH	53
BRAKES	54
TRACK ADJUSTER	55
TRACK CHAIN	56
SUSPENSION TRACK CHAIN-FRONT - REAR	57
SUSPENSION TRACK CHAIN-TRACK CARRIER	58
UPPER ROLLER	59
LOWER ROLLER	60
HYDRAULIC EQUIPMENT	61
HYDRAULIC PUMP-TUROLLA	62
HYDRAULIC PUMP-BOSCH	63
HYDRAULIC LIFT VALVE	64
HYDRAULIC LIFT	65
HYDRAULIC LIFT	66

TABLE OF CONTENT

00

MECHANICAL CONTROL LIFT	67
MECHANICAL CONTROL LIFT	68
AUXILIARY HYDRAULIC VALVE LINES	69
AUXILIARY HYDRAULIC VALVE LINES-2 OR 3 DISTRIBUTORS	70
CONTROL VALVE-HIDROIRMA TYPE.	71
AUXILIARY HYDRAULICS VALVE STANDARD-HIDROIRMA TYPE.	72
AUXILIARY HYDRAULICS FLOATING-HIDROIRMA TYPE.	73
LINKAGE-CAT II	74
LINKAGE-CAT I	75
LINKAGE-CAT II	76
LINKAGE-CAT I	77
SHEET METAL	78
COOLING SYSTEM-FAN GUARD	79
SHEET METAL	80
SHEET METAL-BRACKETS AND ASSEMBLING PARTS	81
DECALS	82
DECALS	83
FENDERS AND PLATFORM	84
GUARDS-TRACK ROLLERS GUARDS	85
REAR SHEET METAL	86
SAFETY FRAME-FRONT	87
SEAT-STANDARD TYPE	88
SEAT-LUX TYPE	89
SEAT-STANDARD VERSION	90
SEAT-LUX TYPE	91
WEIGHT FRAME AND WEIGHTS W-FRONT HOOK	92
REAR HOOK-FOR ITALY	93
DRAWBAR-	94
TOOL KIT-	95



MASSEY FERGUSON

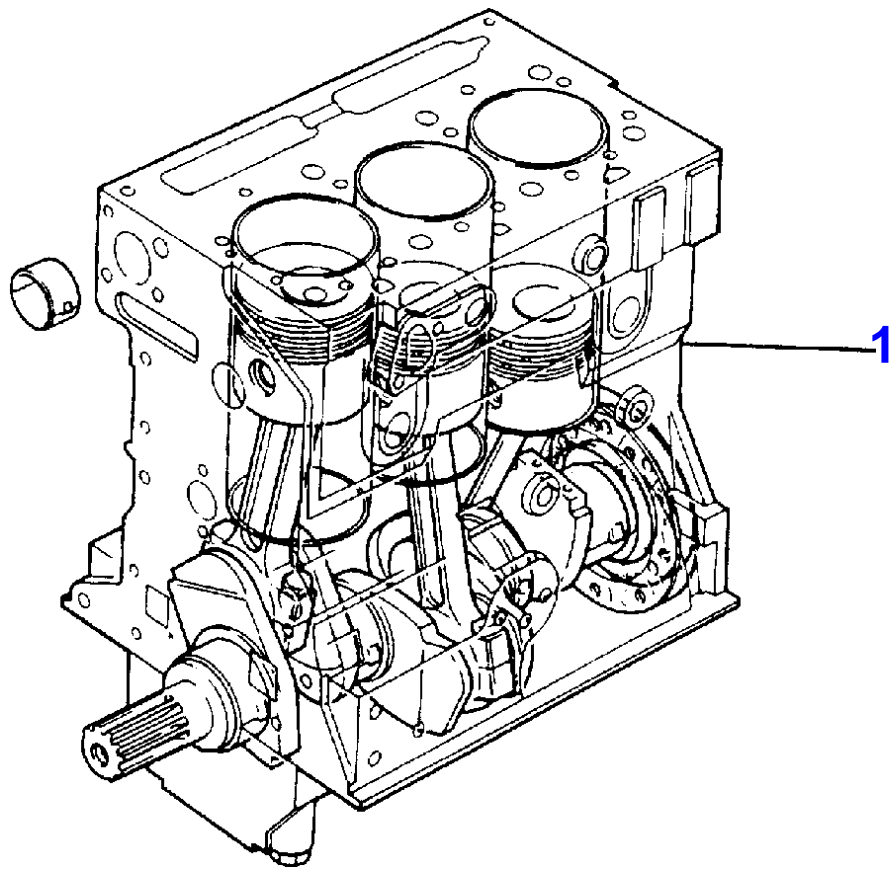
MF 356 CF CRAWLER - 3540433

3540433

ENGINE ASSEMBLY-AD3.152 ENGINE

1

Item	Part Number	Qty	Description	Comments
1	3553118M91	1	Engine	Repairs and replaces CE31197



Thank you so much for reading.
Please click the “Buy Now!”
button below to download the
complete manual.



After you pay.

You can download the most
perfect and complete manual in
the world immediately.

Our support email:

ebooklibonline@outlook.com