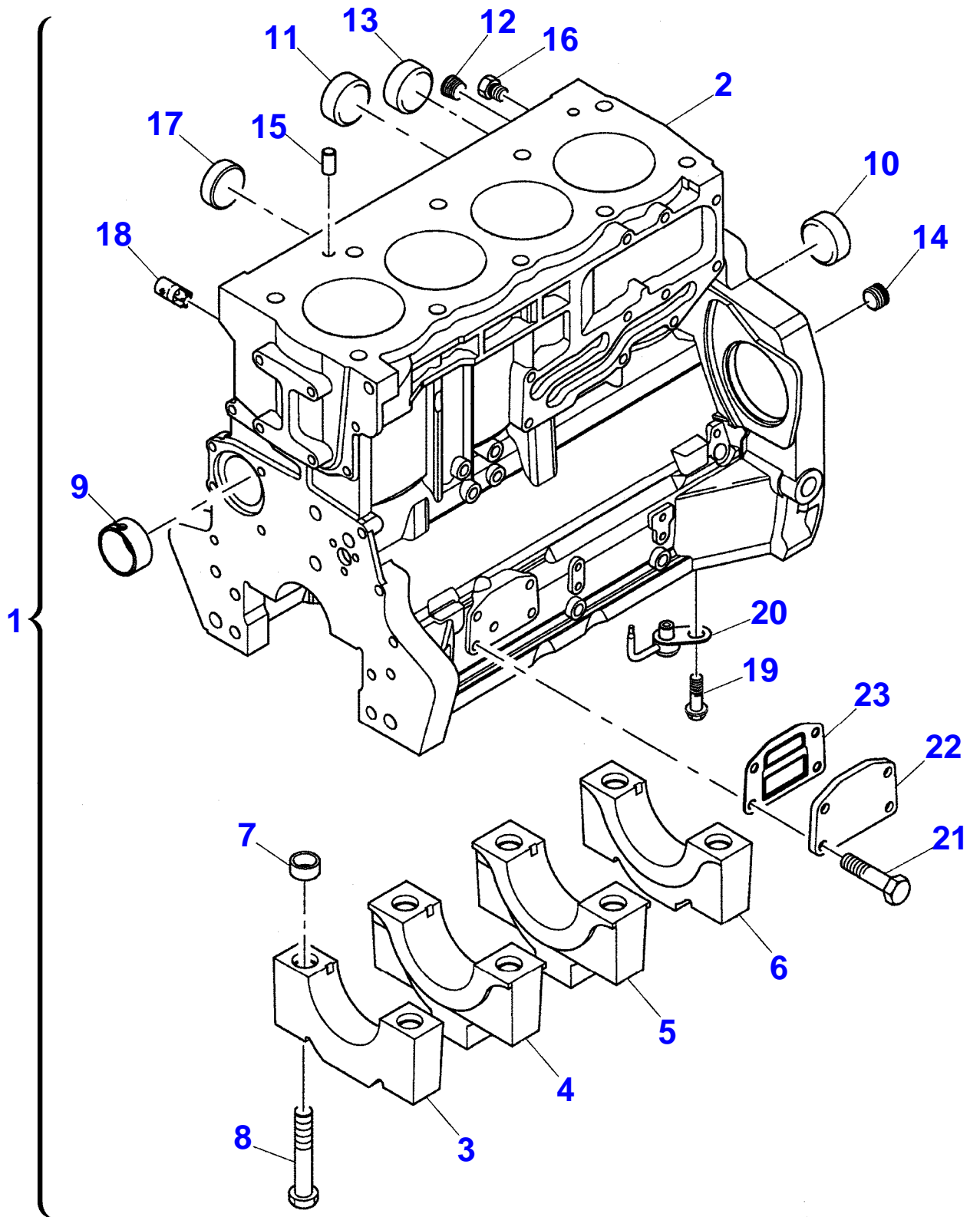
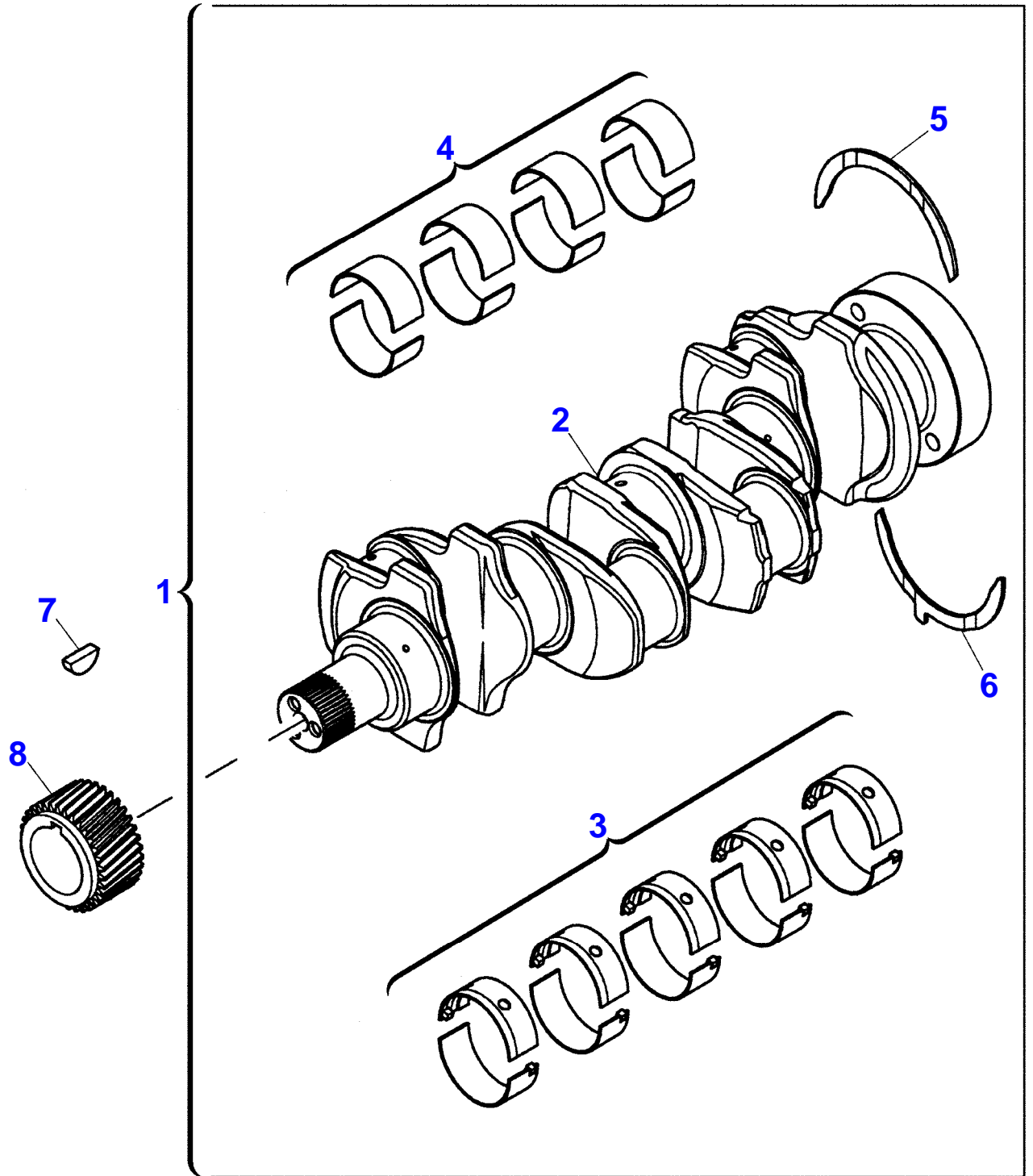


Page Title	Page Number
ENGINE ASSEMBLY - TURBO	010-0001
SHORT ENGINE	010-0002
CYLINDER BLOCK	010-0003
CAMSHAFT	010-0004
PISTONS AND CONNECTING RODS	010-0005
END COVER	010-0006
CYLINDER HEAD	010-0007
ROCKER SHAFT	010-0008
FUEL INJECTION EQUIPMENT (DIESEL)	010-0009
SENSOR PICKUP	010-0010
FAN-TYPE PULLEY	010-0011
LUBRICATING OIL SUMP	010-0012
CYLINDER HEAD COVER	010-0013
FILLER	010-0014
BREATHER	010-0015
GASKET SETS	010-0016
CYLINDER HEAD COVER	010-0017
OIL BATH AIR FILTER - LAUTRETTE	010-0018
LUBRICATING OIL FILTER	010-0019
CLOSING PLATE	010-0020
FRONT END DRIVE INPUT - AUXILIARY DRIVE	010-0021
WATER PUMP	010-0022
WATER OUTLET AND INLET	010-0023
COVER TIMING GEAR	010-0024
LUBRICATING OIL PUMP AND DELIVERY HOUSING	010-0025
INDUCTION MANIFOLD	010-0026
EXHAUST MANIFOLD	010-0027
LIFT PUMP	010-0028
ACCESSORIES MISCELLANEOUS	010-0029
THROTTLE AND STOP CONTROLS	010-0030
ENGINE MAINTENANCE KIT	010-0031
FUEL PIPE	010-0032
TURBOCHARGER	010-0033
SUPPLY PIPELINE (OUTLET)	010-0034



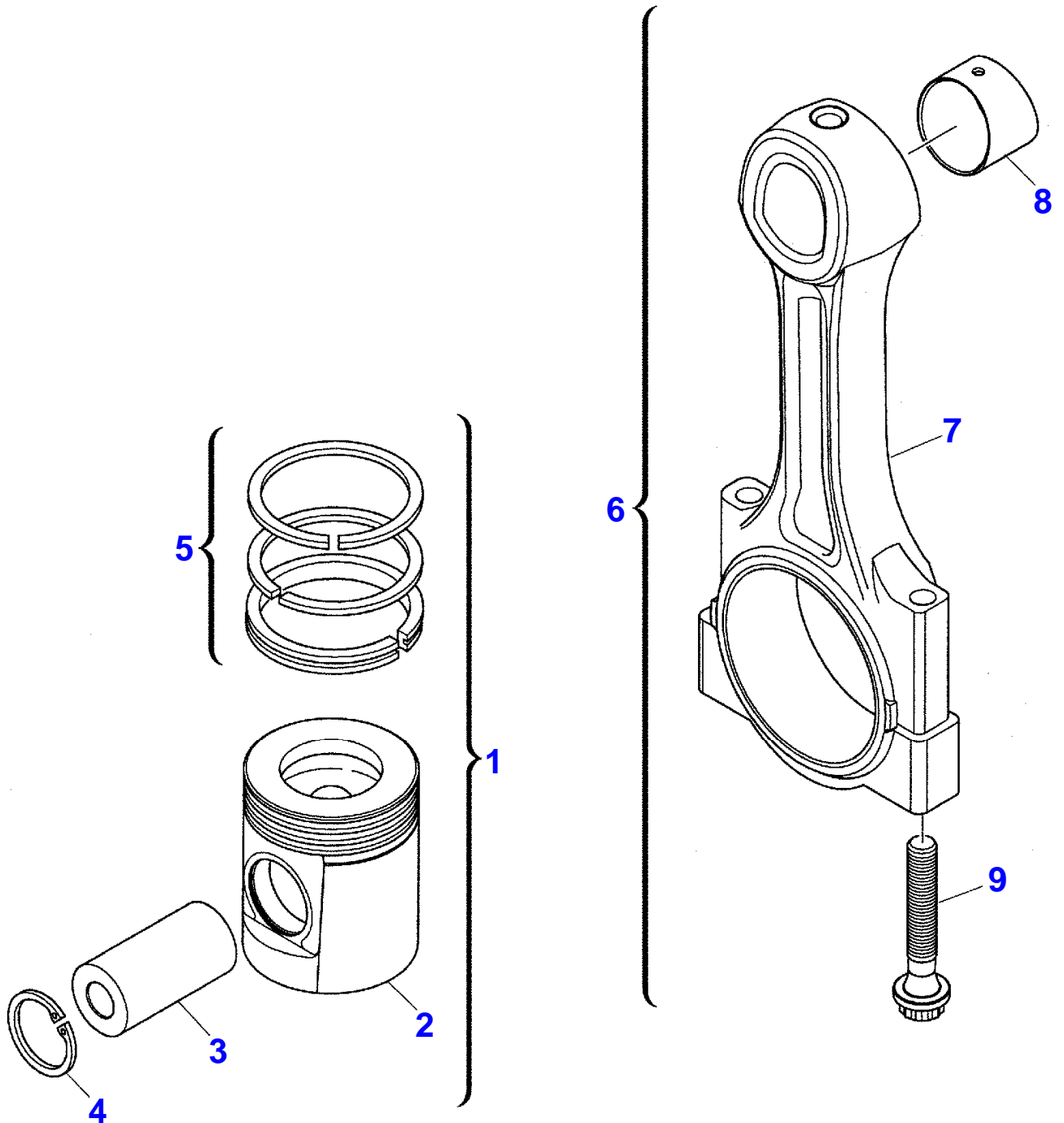
## CYLINDER BLOCK

Item	Part Number	Qty	Description	Comments
1	ZZ50312	1	KIT	
2		1	KIT	THIS IS A COMPONENT OF AN ASSEMBLY 1 NOT SERVICED, ORDER REF.N.1
3		1	BEARING	THIS IS A COMPONENT OF AN ASSEMBLY 1 NOT SERVICED, ORDER REF.N.1
4		2	BEARING	THIS IS A COMPONENT OF AN ASSEMBLY 1 NOT SERVICED, ORDER REF.N.1
5		1	BEARING	THIS IS A COMPONENT OF AN ASSEMBLY 1 NOT SERVICED, ORDER REF.N.1
6		1	BEARING	THIS IS A COMPONENT OF AN ASSEMBLY 1 NOT SERVICED, ORDER REF.N.1
7		10	SLEEVE	THIS IS A COMPONENT OF AN ASSEMBLY 1 NOT SERVICED, ORDER REF.N.1
8	32166329	10	SCREW	THIS IS A COMPONENT OF AN ASSEMBLY 1
9	3112D071	1	BUSH	THIS IS A COMPONENT OF AN ASSEMBLY 1
10	3241A012	1	PLUG	THIS IS A COMPONENT OF AN ASSEMBLY 1
11	3241A011	2	PLUG	THIS IS A COMPONENT OF AN ASSEMBLY 1
12	0650588	1	PLUG	THIS IS A COMPONENT OF AN ASSEMBLY 1
13	0650710	1	PLUG	THIS IS A COMPONENT OF AN ASSEMBLY 1
14	3212P008	1	PLUG	THIS IS A COMPONENT OF AN ASSEMBLY 1
15	3244A009	2	DOWEL	THIS IS A COMPONENT OF AN ASSEMBLY 1
16	32141316	2	PLUG	THIS IS A COMPONENT OF AN ASSEMBLY 1
17	2485A108	1	PLUG	THIS IS A COMPONENT OF AN ASSEMBLY 1
18	3212V006	1	PLUG	THIS IS A COMPONENT OF AN ASSEMBLY 1
19	2314F001	4	SCREW	THIS IS A COMPONENT OF AN ASSEMBLY 1
20	2113A001	4	ATOMISER	THIS IS A COMPONENT OF AN ASSEMBLY 1
21	2314H033	4	SCREW	THIS IS A COMPONENT OF AN ASSEMBLY 1
22	3623A009	1	PLATE	THIS IS A COMPONENT OF AN ASSEMBLY 1
23	3688A039	1	GASKET	THIS IS A COMPONENT OF AN ASSEMBLY 1



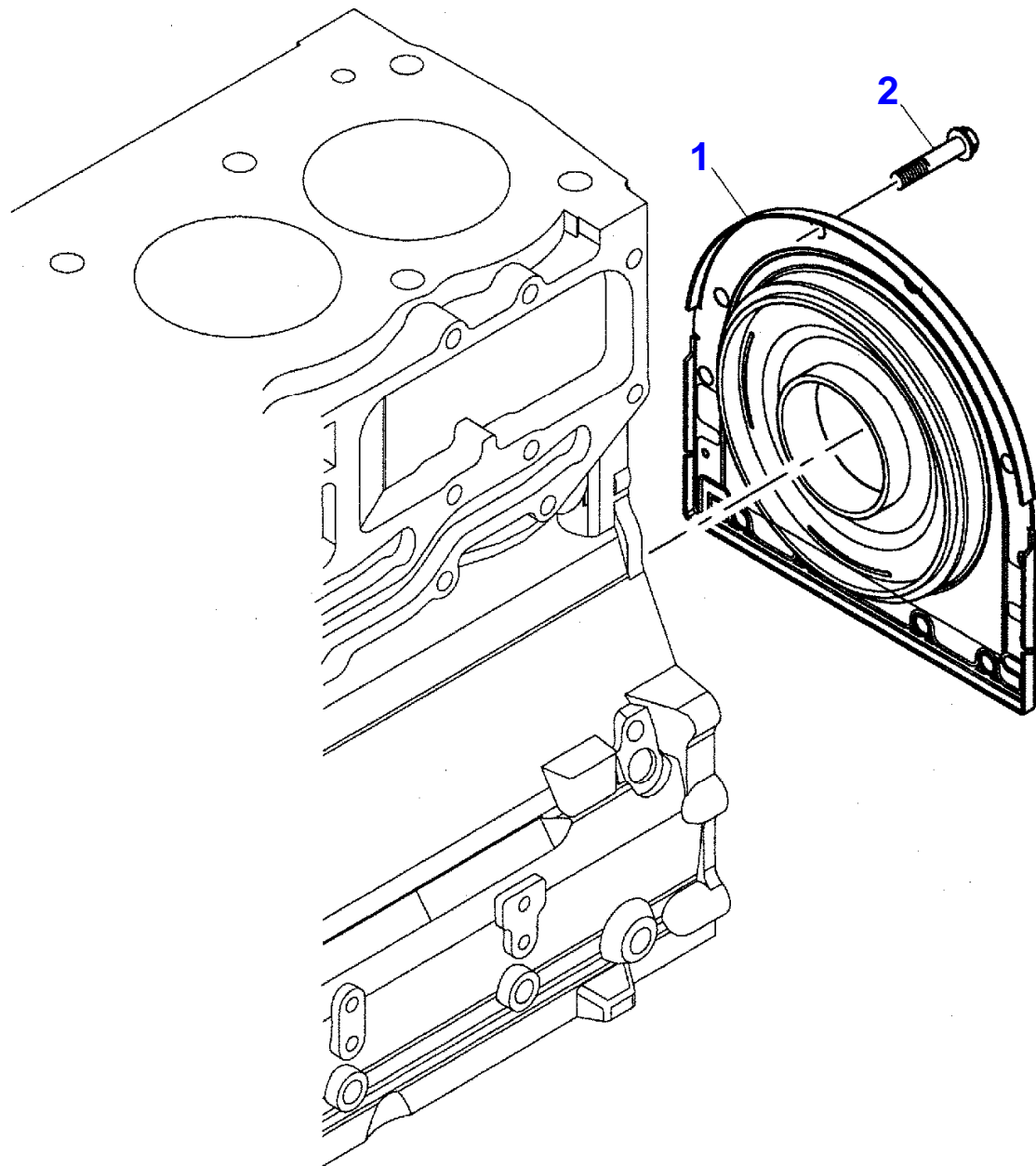
## CAMSHAFT

Item	Part Number	Qty	Description	Comments
1	ZZ90222	1	KIT	
2		1	SHAFT	THIS IS A COMPONENT OF AN ASSEMBLY 1 NOT SERVICED, ORDER REF.N.1
3	U5MB0018	1	KIT	THIS IS A COMPONENT OF AN ASSEMBLY 1
	U5MB0018A	1	KIT	THIS IS A COMPONENT OF AN ASSEMBLY 1 SHIM 0.010"
	U5MB0018B	1	KIT	THIS IS A COMPONENT OF AN ASSEMBLY 1 SHIM 0.020"
	U5MB0018C	1	KIT	THIS IS A COMPONENT OF AN ASSEMBLY 1 SHIM 0.030"
4	U5ME0013	1	KIT	THIS IS A COMPONENT OF AN ASSEMBLY 1
	U5ME0013A	1	KIT	THIS IS A COMPONENT OF AN ASSEMBLY 1 SHIM 0.010"
	U5ME0013B	1	KIT	THIS IS A COMPONENT OF AN ASSEMBLY 1 SHIM 0.020"
	U5ME0013C	1	KIT	THIS IS A COMPONENT OF AN ASSEMBLY 1 SHIM 0.030"
5	31137312	2	RING	THIS IS A COMPONENT OF AN ASSEMBLY 1 SHIM 0.007"
	31137551	2	WASHER	THIS IS A COMPONENT OF AN ASSEMBLY 1
6	31137322	2	RING	THIS IS A COMPONENT OF AN ASSEMBLY 1 SHIM 0.007"
	31137561	2	WASHER	THIS IS A COMPONENT OF AN ASSEMBLY 1
7	0500012	1	KEY	
8	3117C221	1	GEAR	



## PISTONS AND CONNECTING RODS

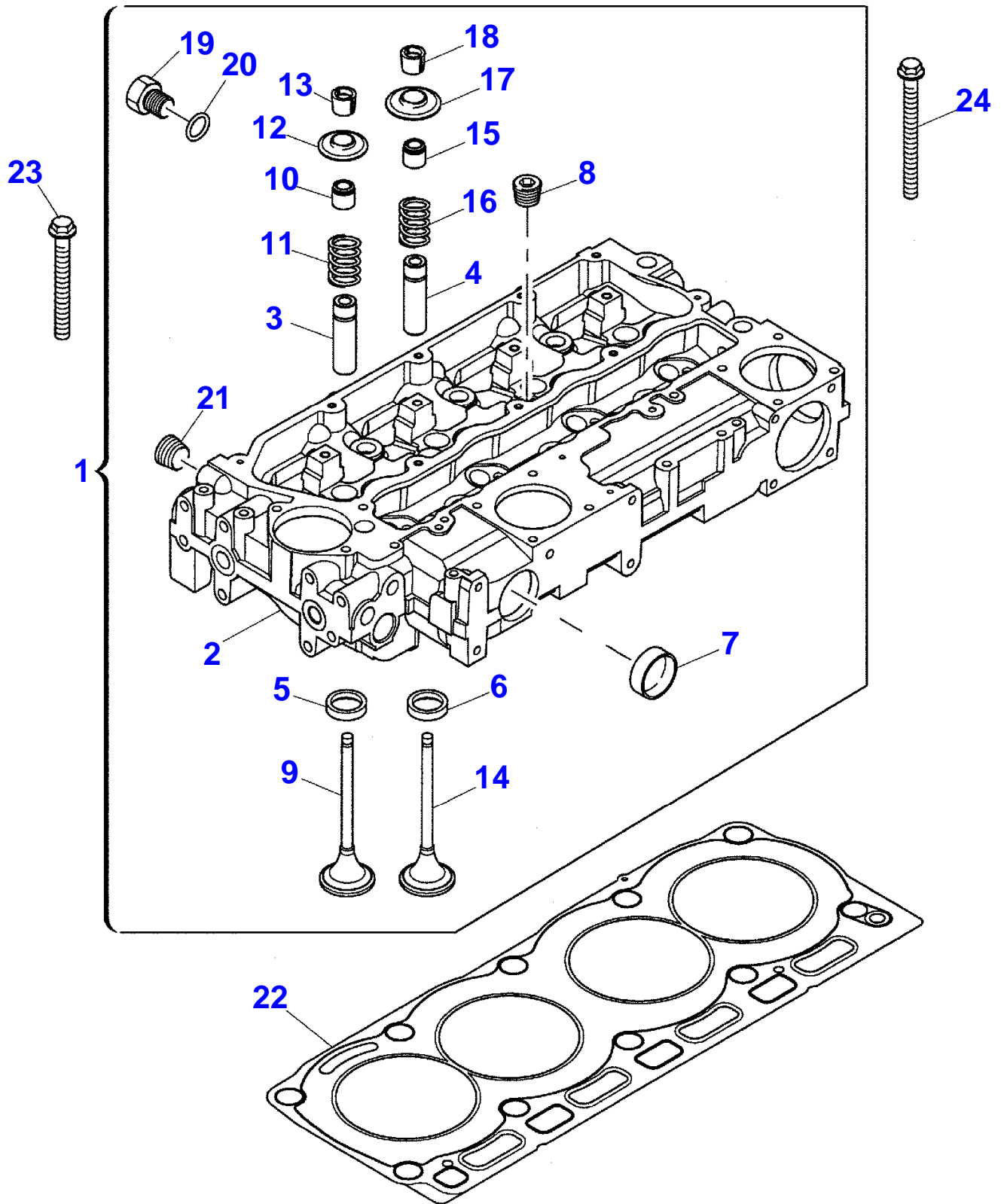
Item	Part Number	Qty	Description	Comments
1	4115P015	4	KIT	
2		1	PISTON	THIS IS A COMPONENT OF AN ASSEMBLY 1 NOT SERVICED, ORDER REF.N.1
3		1	PISTON	THIS IS A COMPONENT OF AN ASSEMBLY 1 NOT SERVICED, ORDER REF.N.1
4	2721332	2	RING	THIS IS A COMPONENT OF AN ASSEMBLY 1
5	UPRK0002	1	KIT	THIS IS A COMPONENT OF AN ASSEMBLY 1
6	4115C311	4	KIT	GRADE F
	4115C312	4	KIT	GRADE G
	4115C313	4	KIT	GRADE H
	4115C314	4	KIT	GRADE J
	4115C315	4	KIT	GRADE K
	4115C316	4	KIT	GRADE L
7		1	CONROD	THIS IS A COMPONENT OF AN ASSEMBLY 6 NOT SERVICED, ORDER REF.N.6
8	3112A005	1	BUSH	THIS IS A COMPONENT OF AN ASSEMBLY 6
9	3212V003	2	SCREW	THIS IS A COMPONENT OF AN ASSEMBLY 6





END COVER

Item	Part Number	Qty	Description
1	2418F704	1	HOUSING
2	3211C002	10	SCREW

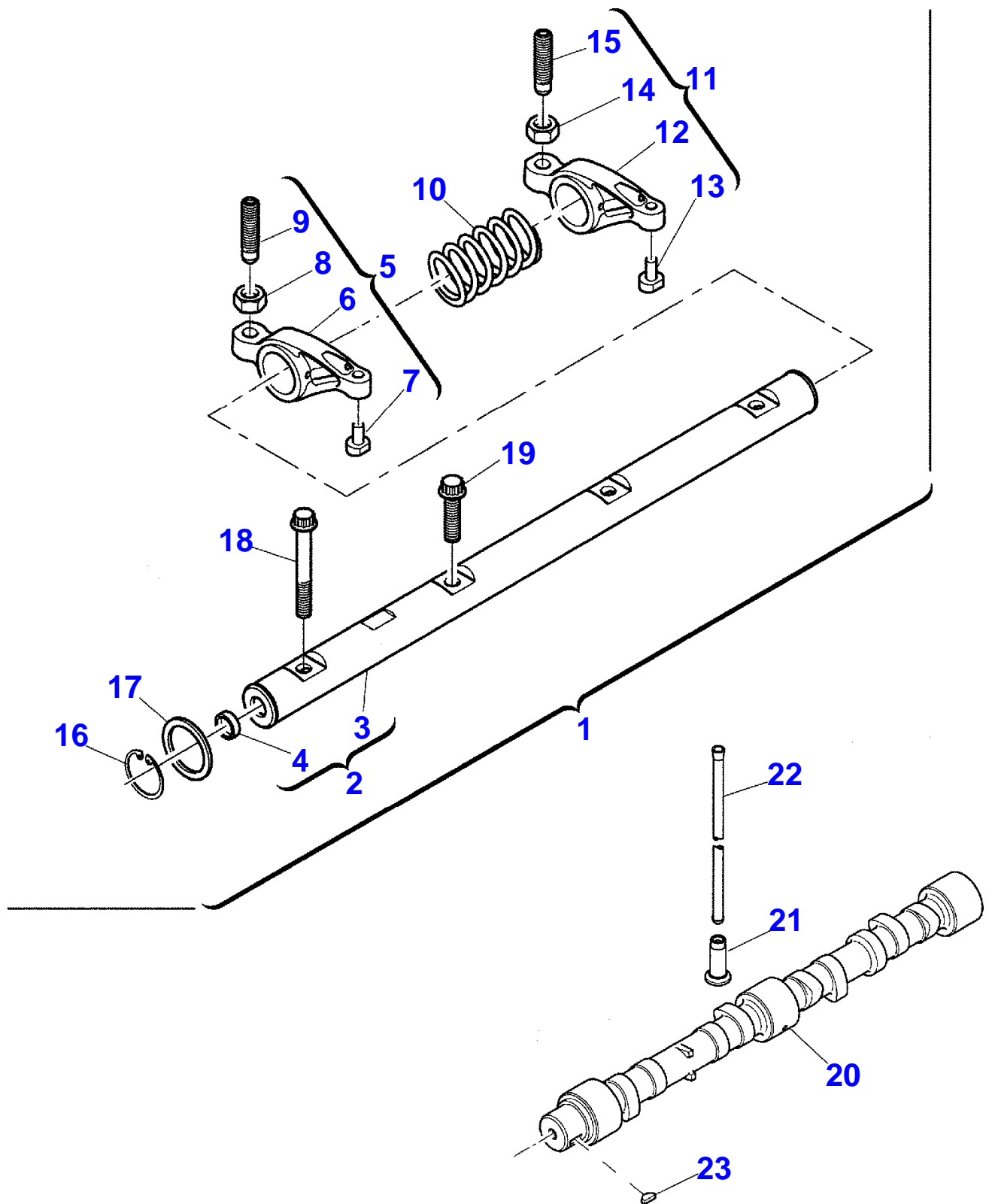


## CYLINDER HEAD

Item	Part Number	Qty	Description	Comments
1	ZZ80268	1	KIT	
2		1	KIT	THIS IS A COMPONENT OF AN ASSEMBLY 1 NOT SERVICED, ORDER REF.N.1
3	3313E021	4	GUIDE	THIS IS A COMPONENT OF AN ASSEMBLY 1 REPAIRS AND REPLACES 3313A012 (1)
4	3313E021	4	GUIDE	THIS IS A COMPONENT OF AN ASSEMBLY 1 REPAIRS AND REPLACES 3313A012 (1)
5	3314A151	4	INSERT	THIS IS A COMPONENT OF AN ASSEMBLY 1
6	3314A161	4	INSERT	THIS IS A COMPONENT OF AN ASSEMBLY 1
7	32416117	2	PLUG	THIS IS A COMPONENT OF AN ASSEMBLY 1
8	0650588	4	PLUG	THIS IS A COMPONENT OF AN ASSEMBLY 1
9	3142H071	4	VALVE	THIS IS A COMPONENT OF AN ASSEMBLY 1
10	2418M514	4	RING	[B] THIS IS A COMPONENT OF AN ASSEMBLY 1 REPAIRS AND REPLACES N.L.S. (1)
	2418M519	4	RING	[A] THIS IS A COMPONENT OF AN ASSEMBLY 1
11	3174A016	4	SPRING	THIS IS A COMPONENT OF AN ASSEMBLY 1
12	3342A011	4	COVER	THIS IS A COMPONENT OF AN ASSEMBLY 1
13	3142W004	8	COTTER	THIS IS A COMPONENT OF AN ASSEMBLY 1
14	3142A151	4	VALVE	THIS IS A COMPONENT OF AN ASSEMBLY 1
15	2418M514	4	RING	[B] THIS IS A COMPONENT OF AN ASSEMBLY 1 REPAIRS AND REPLACES N.L.S. (1)
16	3174A016	4	SPRING	THIS IS A COMPONENT OF AN ASSEMBLY 1
17	3342A011	4	COVER	THIS IS A COMPONENT OF AN ASSEMBLY 1
18	3142W004	8	COTTER	THIS IS A COMPONENT OF AN ASSEMBLY 1
19	3278A006	1	PLUG	THIS IS A COMPONENT OF AN ASSEMBLY 1
20	2415H003	1	RING	THIS IS A COMPONENT OF AN ASSEMBLY 1
21	2431154	1	PLUG	THIS IS A COMPONENT OF AN ASSEMBLY 1
22	3681E046	1	GASKET	
23	3218A011	7	SCREW	
24	3218A012	3	SCREW	

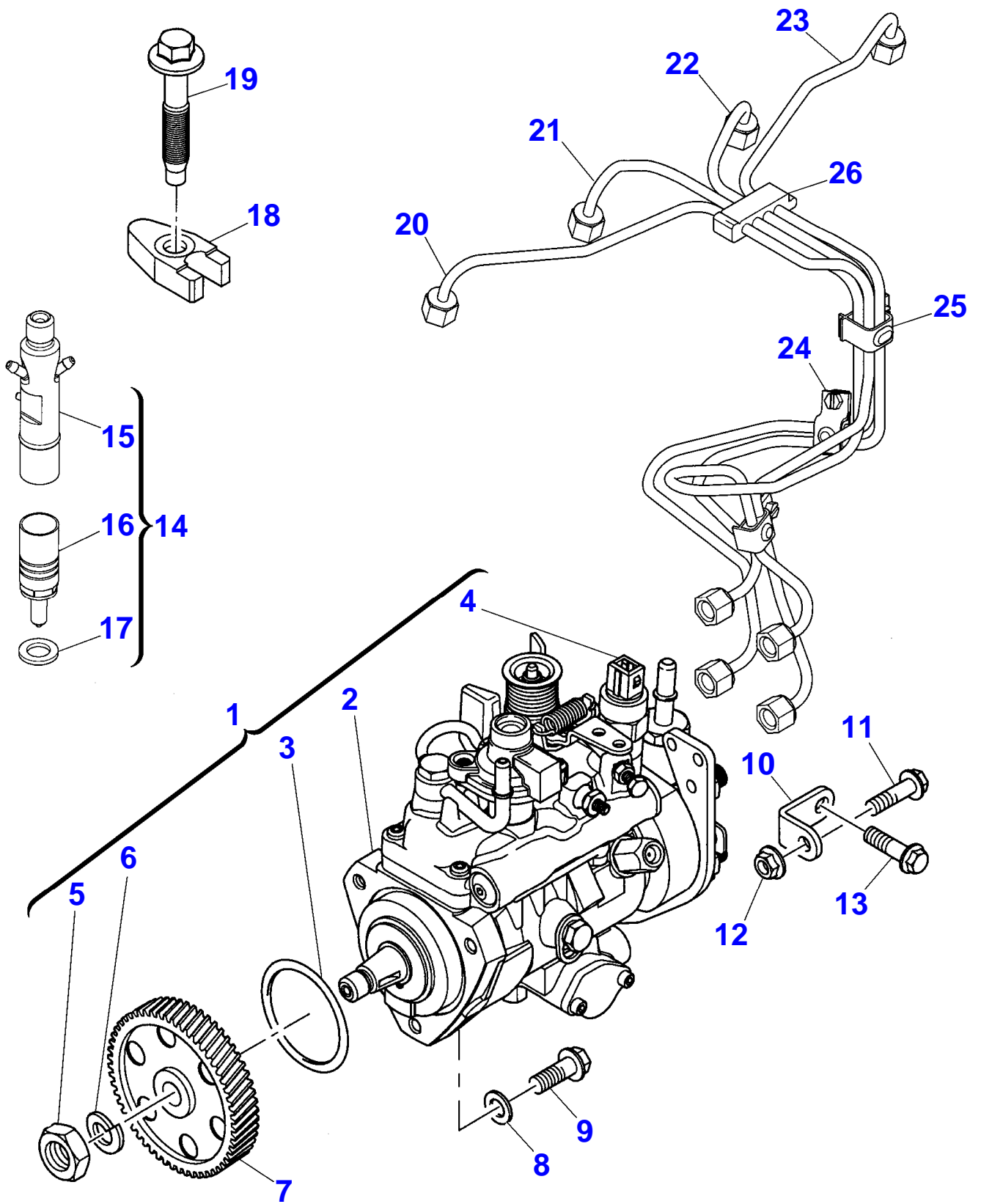
FOOTNOTE [A] GREEN

FOOTNOTE [B] BROWN



## ROCKER SHAFT

Item	Part Number	Qty	Description	Comments
1	4115R612	1	ROCKER	
2	4115R703	1	SHAFT	THIS IS A COMPONENT OF AN ASSEMBLY 1
3		1	SHAFT	THIS IS A COMPONENT OF AN ASSEMBLY 2 NOT SERVICED, ORDER REF.N.2
4	2485A104	2	PLUG	THIS IS A COMPONENT OF AN ASSEMBLY 2
5	4115R314	4	ROCKER	THIS IS A COMPONENT OF AN ASSEMBLY 1
6		1	ROCKER	THIS IS A COMPONENT OF AN ASSEMBLY 5 NOT SERVICED, ORDER REF.N.5
7		1	PAD	THIS IS A COMPONENT OF AN ASSEMBLY 5 NOT SERVICED, ORDER REF.N.5
8	0576052	1	NUT	THIS IS A COMPONENT OF AN ASSEMBLY 5
9	32114145	1	SCREW	THIS IS A COMPONENT OF AN ASSEMBLY 5
10	3174A015	3	SPRING	THIS IS A COMPONENT OF AN ASSEMBLY 1
11	4115R315	4	ROCKER	THIS IS A COMPONENT OF AN ASSEMBLY 1
12		1	ROCKER	THIS IS A COMPONENT OF AN ASSEMBLY 11 NOT SERVICED, ORDER REF.N.11
13		1	PAD	THIS IS A COMPONENT OF AN ASSEMBLY 11 NOT SERVICED, ORDER REF.N.11
14	0576052	1	NUT	THIS IS A COMPONENT OF AN ASSEMBLY 11
15	32114145	1	SCREW	THIS IS A COMPONENT OF AN ASSEMBLY 11
16	2722A022	2	RING	THIS IS A COMPONENT OF AN ASSEMBLY 1
17	2134A502	2	WASHER	THIS IS A COMPONENT OF AN ASSEMBLY 1
18	2316A901	1	SCREW	THIS IS A COMPONENT OF AN ASSEMBLY 1
19	2316A902	3	SCREW	THIS IS A COMPONENT OF AN ASSEMBLY 1
20	3141D221	1	SHAFT	
21	3142U031	8	TAPPET	REPAIRS AND REPLACES 3142U991 (1)
22	31434307	8	ROD	
23	0500012	1	KEY	



**Buy Now**



Our support email:

[ebooklibonline@outlook.com](mailto:ebooklibonline@outlook.com)