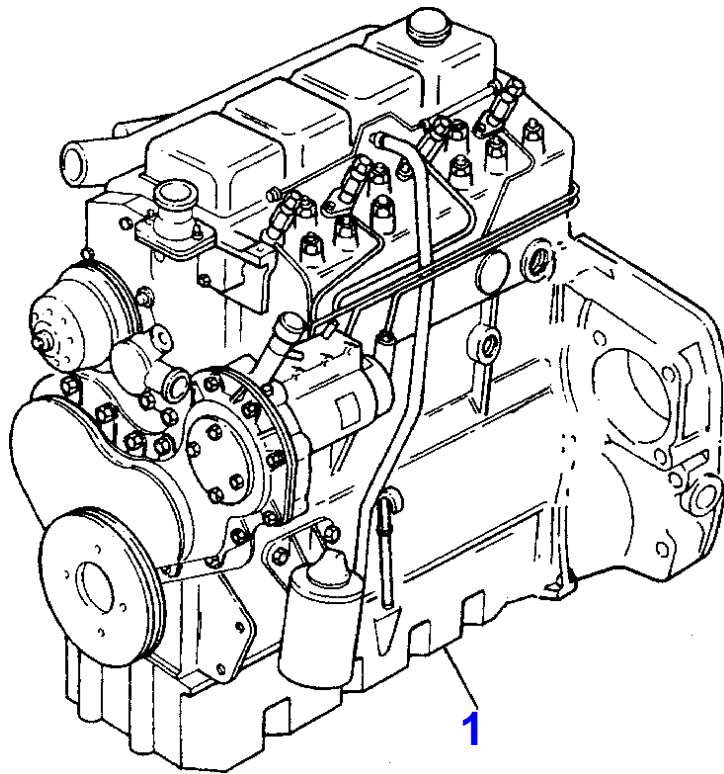


Page Title	Page Number
ENGINE ASSEMBLY - ATMOSPHERIC	010-0001
SHORT ENGINE	010-0002
CYLINDER BLOCK	010-0003
CRANKSHAFT	010-0004
PISTONS AND CONNECTING RODS	010-0005
END COVER	010-0006
CYLINDER HEAD	010-0007
ROCKER SHAFT	010-0008
FUEL INJECTION EQUIPMENT (DIESEL)	010-0009
SENSOR PICKUP	010-0010
FAN-TYPE PULLEY	010-0011
LUBRICATING OIL SUMP	010-0012
CYLINDER HEAD COVER	010-0013
FILLER	010-0014
BREATHER	010-0015
GASKET SETS	010-0016
CYLINDER HEAD COVER	010-0017
OIL BATH AIR FILTER - LAUTRETTE	010-0018
LUBRICATING OIL FILTER	010-0019
CLOSING PLATE	010-0020
FRONT END DRIVE INPUT - AUXILIARY DRIVE	010-0021
WATER PUMP	010-0022
WATER OUTLET AND INLET	010-0023
COVER TIMING GEAR	010-0024
LUBRICATING OIL PUMP AND DELIVERY HOUSING	010-0025
INDUCTION MANIFOLD	010-0026
EXHAUST MANIFOLD	010-0027
LIFT PUMP	010-0028
ACCESSORIES MISCELLANEOUS	010-0029
THROTTLE AND STOP CONTROLS	010-0030
ENGINE MAINTENANCE KIT	010-0031



Massey Ferguson

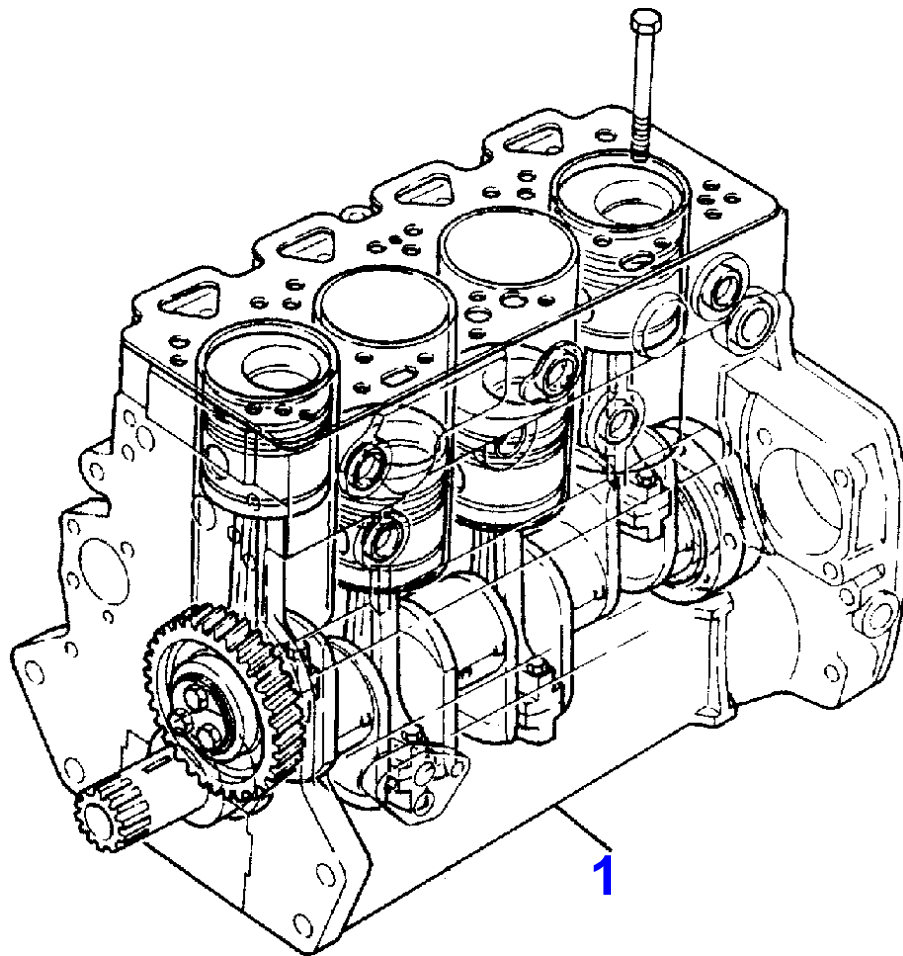
MF 3425 CF/CM CRAWLER-TYPE TRACTOR - 3680379

3680379

ENGINE ASSEMBLY - ATMOSPHERIC

Page010-0001

Item	Part Number	Qty	Description
1	3674734M91	1	ENGINE



Massey Ferguson

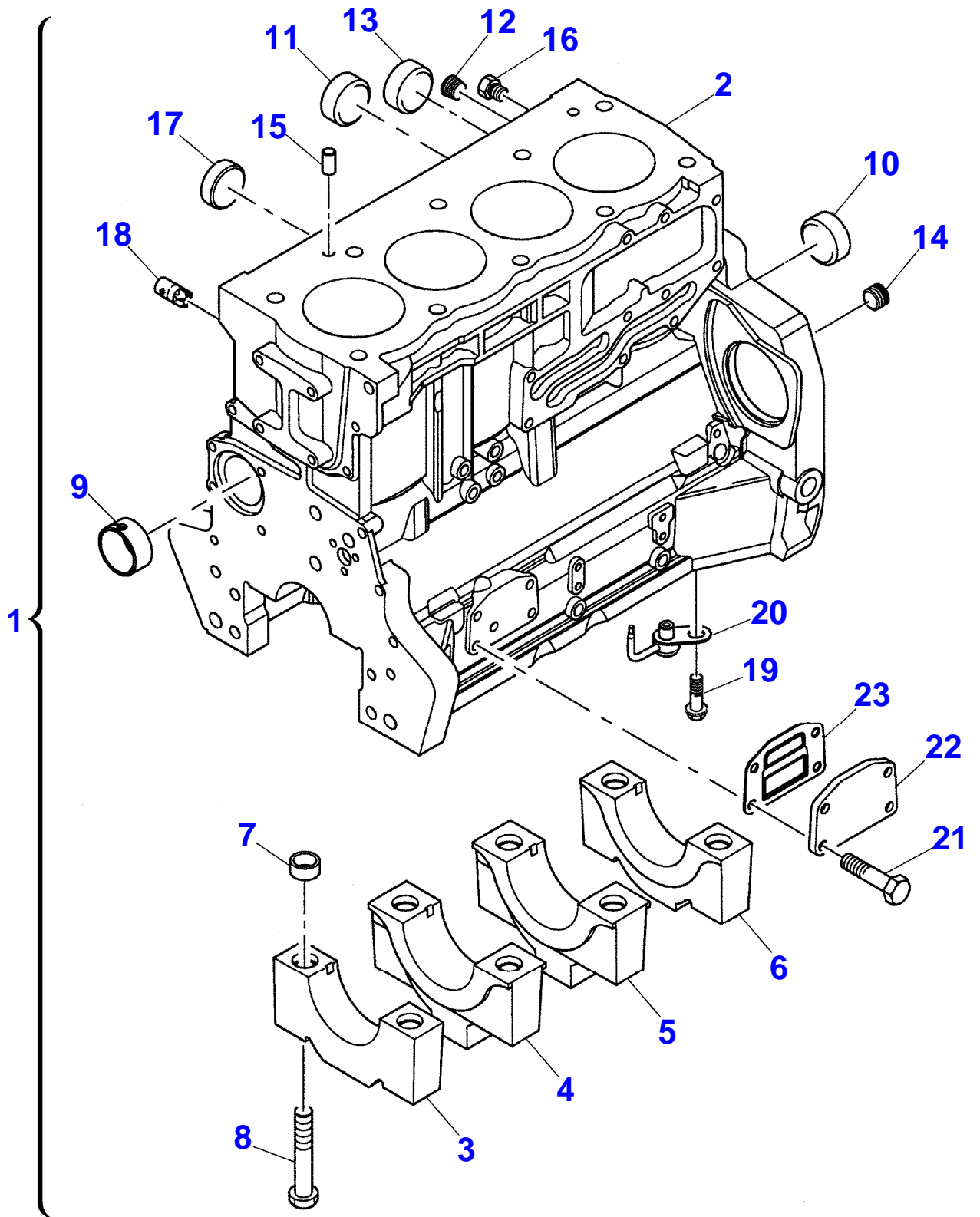
MF 3425 CF/CM CRAWLER-TYPE TRACTOR - 3680379

3680379

SHORT ENGINE

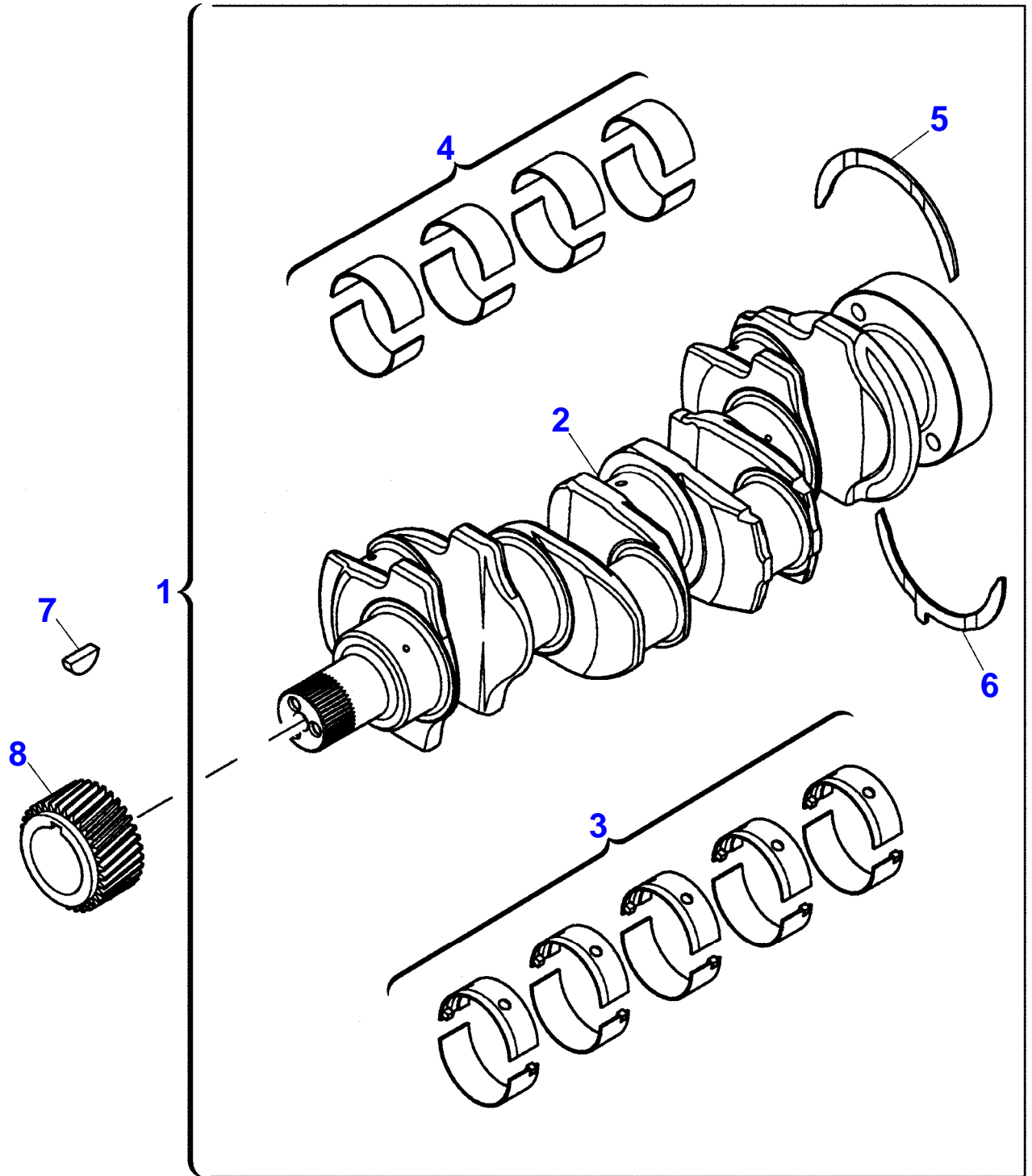
Page010-0002

Item	Part Number	Qty	Description
1	RE40002	1	ENGINE



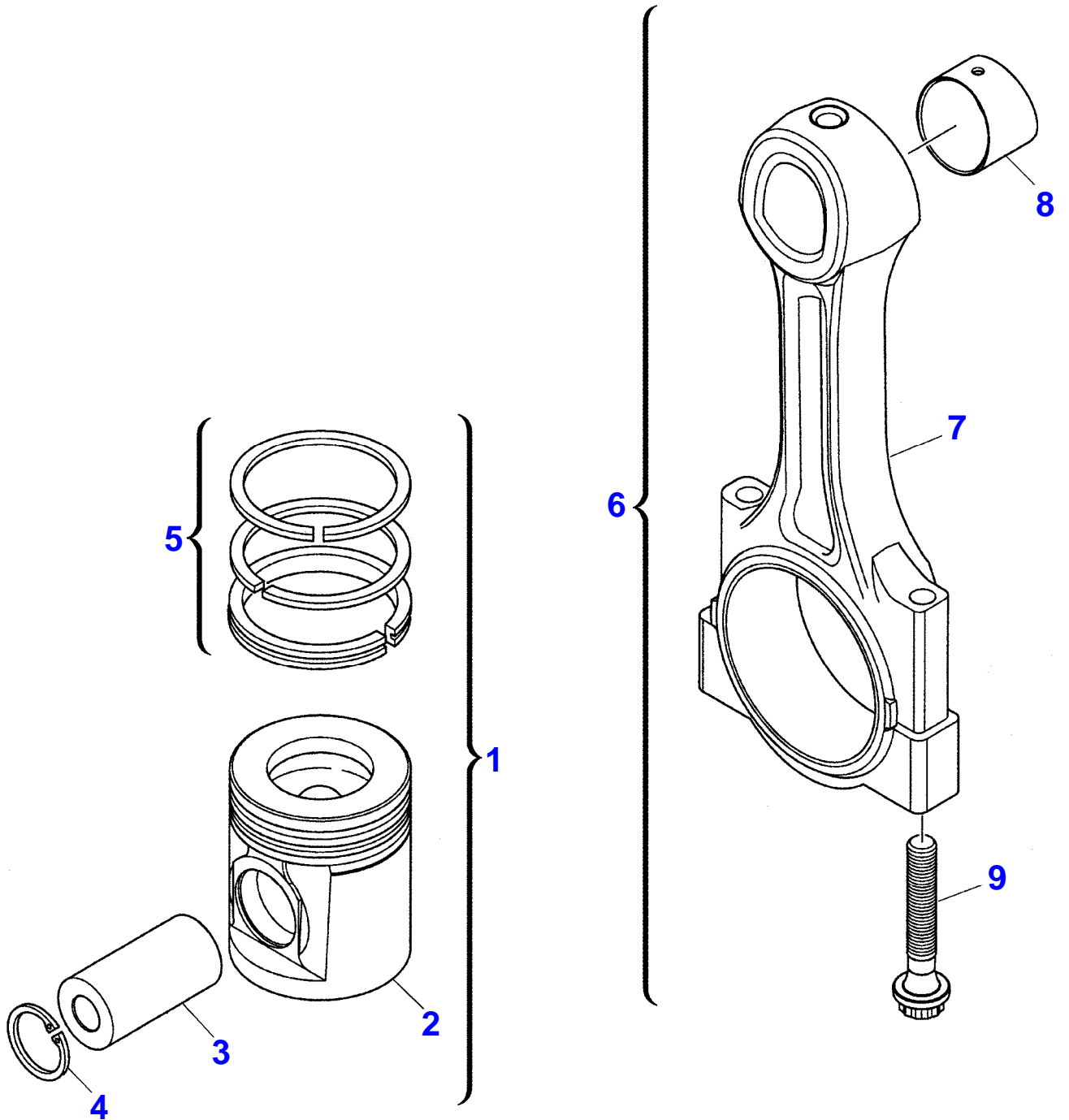
CYLINDER BLOCK

Item	Part Number	Qty	Description	Comments
1	ZZ50312	1	KIT	
2		1	KIT	THIS IS A COMPONENT OF AN ASSEMBLY 1 NOT SERVICED, ORDER REF.N.1
3		1	BEARING	THIS IS A COMPONENT OF AN ASSEMBLY 1 NOT SERVICED, ORDER REF.N.1
4		2	BEARING	THIS IS A COMPONENT OF AN ASSEMBLY 1 NOT SERVICED, ORDER REF.N.1
5		1	BEARING	THIS IS A COMPONENT OF AN ASSEMBLY 1 NOT SERVICED, ORDER REF.N.1
6		1	BEARING	THIS IS A COMPONENT OF AN ASSEMBLY 1 NOT SERVICED, ORDER REF.N.1
7		10	SLEEVE	THIS IS A COMPONENT OF AN ASSEMBLY 1 NOT SERVICED, ORDER REF.N.1
8	32166329	10	SCREW	THIS IS A COMPONENT OF AN ASSEMBLY 1
9	3112D071	1	BUSH	THIS IS A COMPONENT OF AN ASSEMBLY 1
10	3241A012	1	PLUG	THIS IS A COMPONENT OF AN ASSEMBLY 1
11	3241A011	2	PLUG	THIS IS A COMPONENT OF AN ASSEMBLY 1
12	0650588	1	PLUG	THIS IS A COMPONENT OF AN ASSEMBLY 1
13	0650710	1	PLUG	THIS IS A COMPONENT OF AN ASSEMBLY 1
14	3212P008	1	PLUG	THIS IS A COMPONENT OF AN ASSEMBLY 1
15	3244A009	2	DOWEL	THIS IS A COMPONENT OF AN ASSEMBLY 1
16	32141316	2	PLUG	THIS IS A COMPONENT OF AN ASSEMBLY 1
17	2485A108	1	PLUG	THIS IS A COMPONENT OF AN ASSEMBLY 1
18	3212V006	1	PLUG	THIS IS A COMPONENT OF AN ASSEMBLY 1
19	2314F001	4	SCREW	THIS IS A COMPONENT OF AN ASSEMBLY 1
20	2113A001	4	ATOMISER	THIS IS A COMPONENT OF AN ASSEMBLY 1
21	2314H033	4	SCREW	THIS IS A COMPONENT OF AN ASSEMBLY 1
22	3623A009	1	PLATE	THIS IS A COMPONENT OF AN ASSEMBLY 1
23	3688A039	1	GASKET	THIS IS A COMPONENT OF AN ASSEMBLY 1



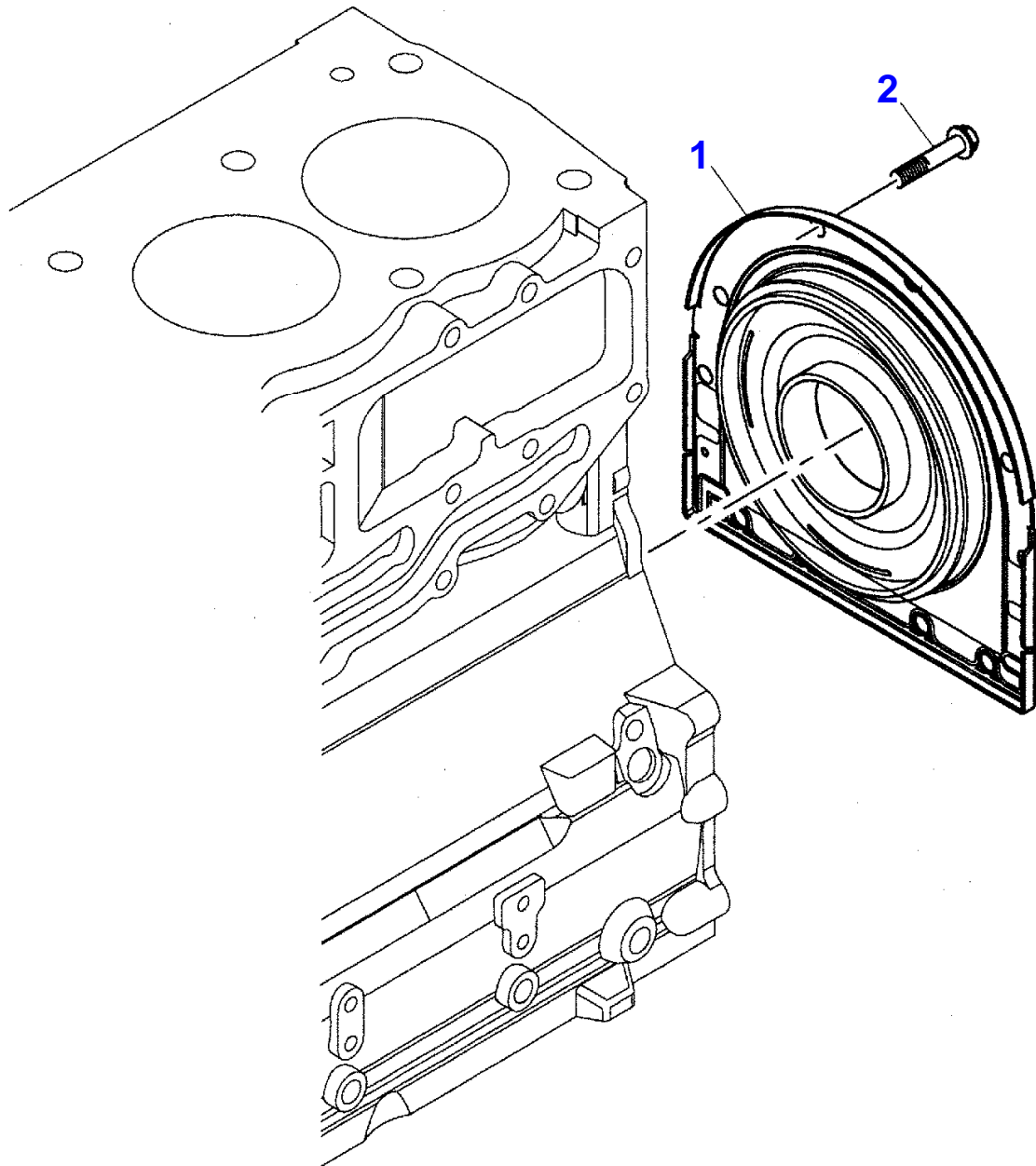
CRANKSHAFT

Item	Part Number	Qty	Description	Comments
1	ZZ90224	1	KIT	REPAIRS AND REPLACES ZZ90222 (1)
2		1	SHAFT	THIS IS A COMPONENT OF AN ASSEMBLY 1 NOT SERVICED, ORDER REF.N.1
3	U5MB0018	1	KIT	THIS IS A COMPONENT OF AN ASSEMBLY 1
	U5MB0018A	1	KIT	THIS IS A COMPONENT OF AN ASSEMBLY 1 SHIM 0.010"
	U5MB0018B	1	KIT	THIS IS A COMPONENT OF AN ASSEMBLY 1 SHIM 0.020"
	U5MB0018C	1	KIT	THIS IS A COMPONENT OF AN ASSEMBLY 1 SHIM 0.030"
4	U5ME0013	1	KIT	THIS IS A COMPONENT OF AN ASSEMBLY 1
	U5ME0013A	1	KIT	THIS IS A COMPONENT OF AN ASSEMBLY 1 SHIM 0.010"
	U5ME0013B	1	KIT	THIS IS A COMPONENT OF AN ASSEMBLY 1 SHIM 0.020"
	U5ME0013C	1	KIT	THIS IS A COMPONENT OF AN ASSEMBLY 1 SHIM 0.030"
5	31137312	2	RING	THIS IS A COMPONENT OF AN ASSEMBLY 1 SHIM 0.007"
6	31137551	2	WASHER	THIS IS A COMPONENT OF AN ASSEMBLY 1
	31137322	2	RING	THIS IS A COMPONENT OF AN ASSEMBLY 1 SHIM 0.007"
	31137561	2	WASHER	THIS IS A COMPONENT OF AN ASSEMBLY 1
7	0500012	1	KEY	
8	3117C221	1	GEAR	



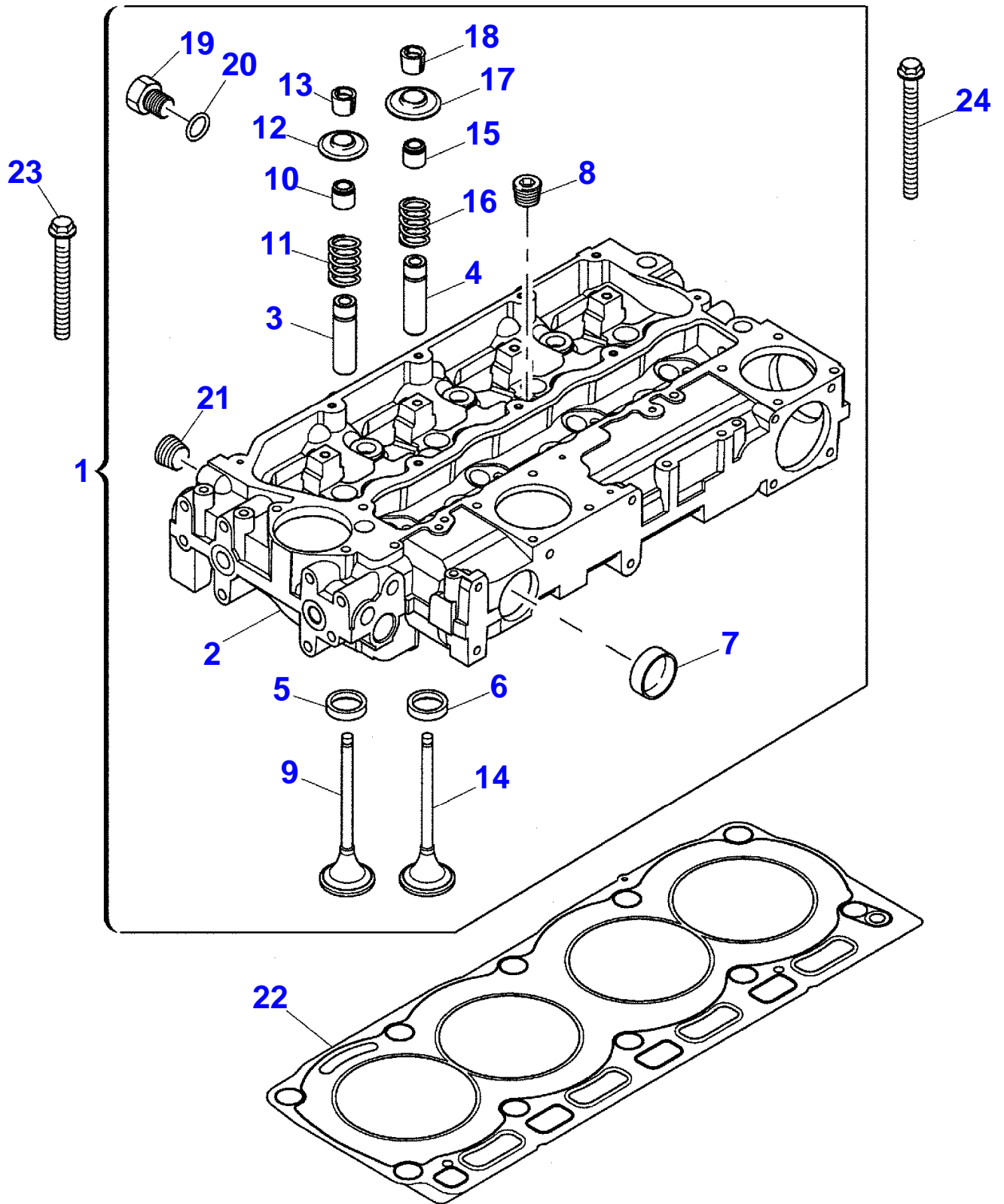
PISTONS AND CONNECTING RODS

Item	Part Number	Qty	Description	Comments
1	4115P011	4	KIT	
2		1	PISTON	THIS IS A COMPONENT OF AN ASSEMBLY 1 NOT SERVICED, ORDER REF.N.1
3		1	PISTON	THIS IS A COMPONENT OF AN ASSEMBLY 1 NOT SERVICED, ORDER REF.N.1
4	2721332	2	RING	THIS IS A COMPONENT OF AN ASSEMBLY 1
5	UPRK0003	1	KIT	THIS IS A COMPONENT OF AN ASSEMBLY 1
6	4115C311	4	KIT	GRADE F
	4115C312	4	KIT	GRADE G
	4115C313	4	KIT	GRADE H
	4115C314	4	KIT	GRADE J
	4115C315	4	KIT	GRADE K
	4115C316	4	KIT	GRADE L
7		1	CONROD	THIS IS A COMPONENT OF AN ASSEMBLY 6 NOT SERVICED, ORDER REF.N.6
8	3112A005	1	BUSH	THIS IS A COMPONENT OF AN ASSEMBLY 6
9	3212V003	2	SCREW	THIS IS A COMPONENT OF AN ASSEMBLY 6



END COVER

Item	Part Number	Qty	Description
1	2418F704	1	HOUSING
2	3211C002	10	SCREW



Buy Now



Our support email:

ebooklibonline@outlook.com