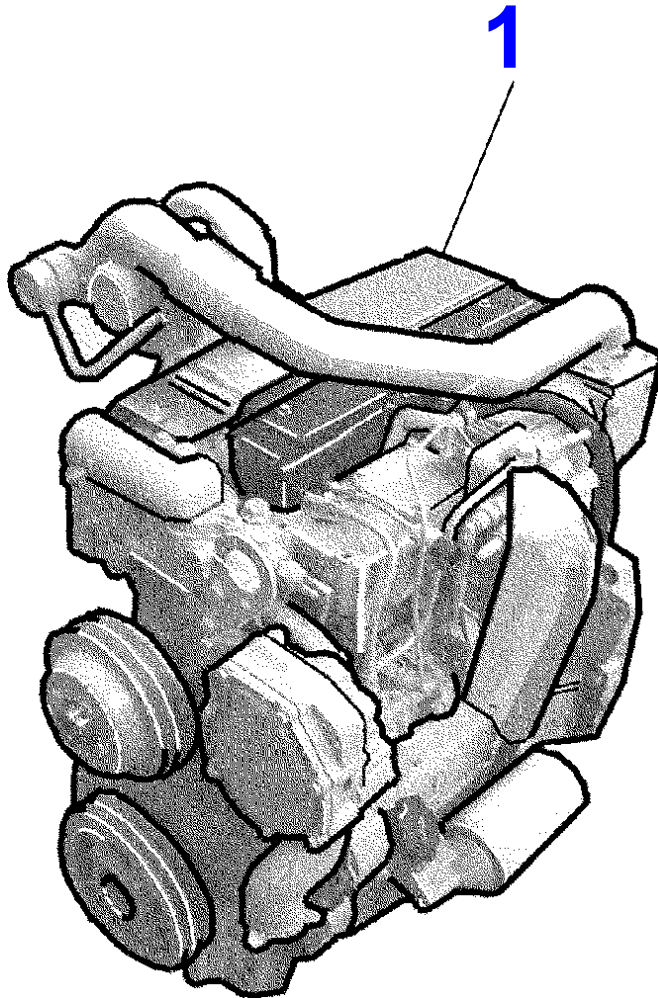


Page Title	Page Number
ENGINE ASSEMBLY	010-0001
CYLINDER BLOCK - PLATE F	010-0002
TURBOCHARGER	010-0003
CRANKSHAFT,PISTONS AND CONNECTING RODS	010-0004
CYLINDER HEAD - PLATE C	010-0005
ROCKER SHAFT	010-0006
TIMING GEAR AND CAMSHAFT	010-0007
BALANCER UNIT - PLATE A	010-0008
FUEL INJECTION EQUIPMENT (DIESEL)	010-0009
OIL PUMP	010-0010
LUBRICATING OIL SUMP - PLATE D	010-0011
CYLINDER HEAD COVER	010-0012
HEAT EXCHANGER AND LUBRICATING OIL FILTER	010-0013
ENGINE COOLING SYSTEM - THERMOSTATIC VALVE	010-0014
WATER PUMP	010-0015
OIL SEPARATOR KIT	010-0016
P.T.O.	010-0017
ALTERNATOR POSITIONER	010-0018
INDUCTION MANIFOLD	010-0019
EXHAUST MANIFOLD	010-0020
STARTER	010-0021

00005170



Massey Ferguson

2430 ST/GE TRACTOR, UTILITY - 3680395

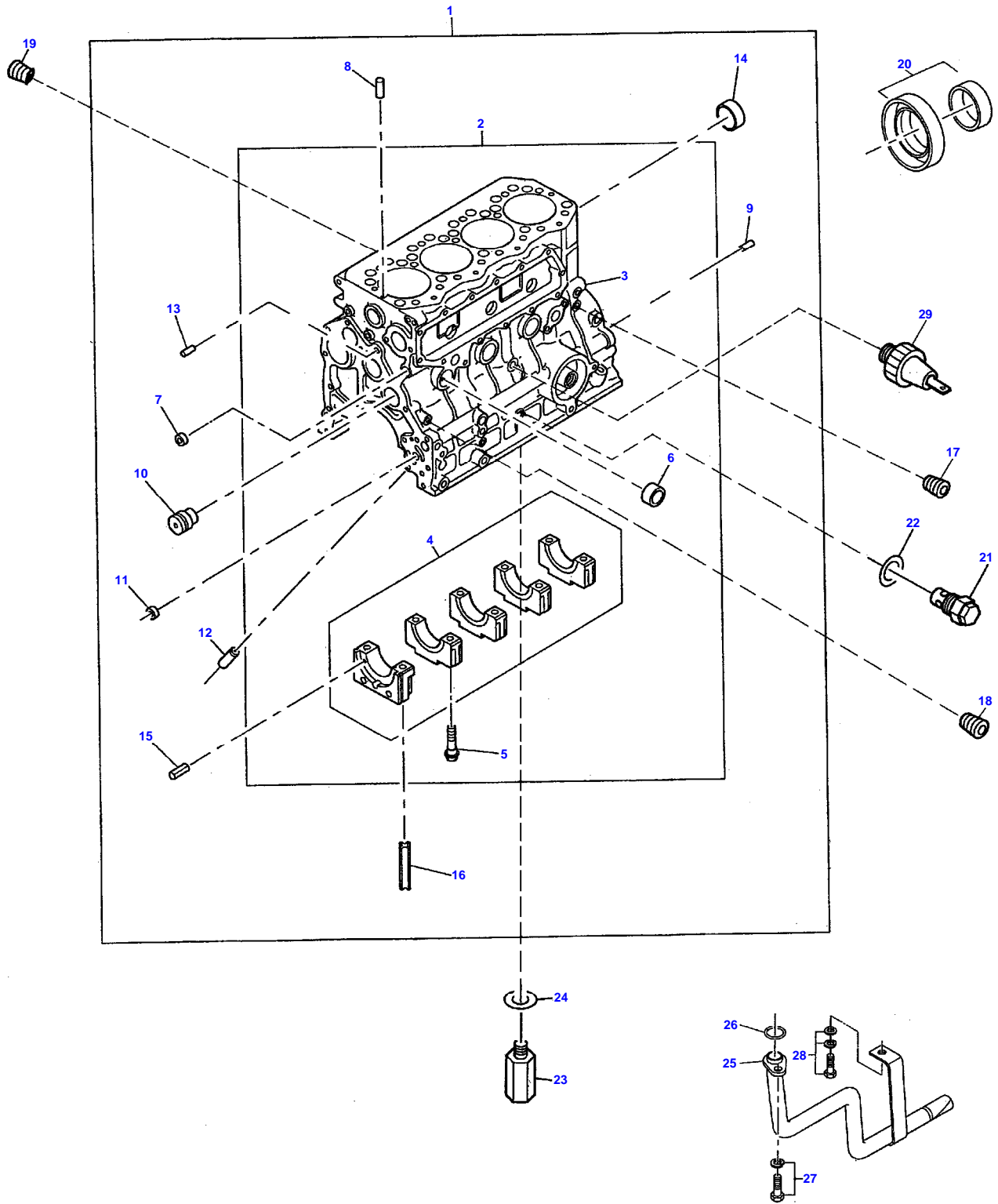
3680395

ENGINE ASSEMBLY

Page010-0001

Item	Part Number	Qty	Description	Comments
1	3674036M91	1	ENGINE	3674036M92 (1)

MF 2430 ST/GE TRACTOR, UTILITY - 3680395
000012847

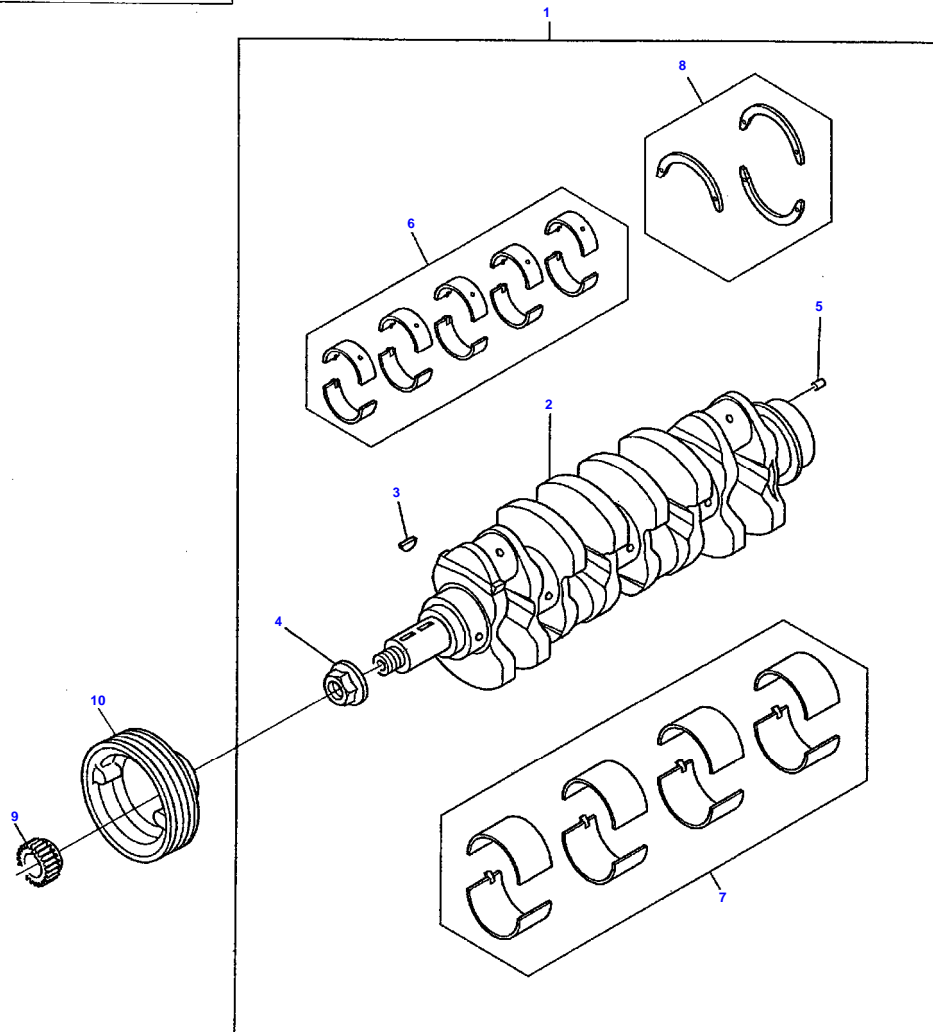
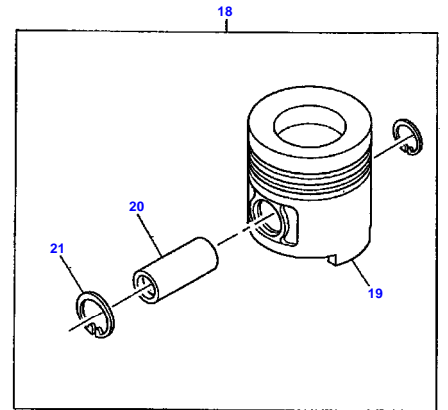
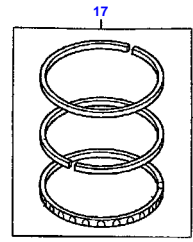
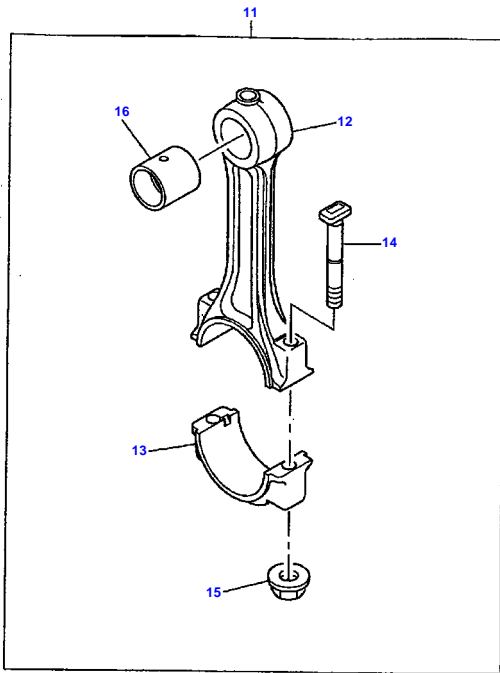


CYLINDER BLOCK - PLATE F

Item	Part Number	Qty	Description	Comments
1	MPCB0001	1	KIT	
2	MP10310	1	CYLINDER	
3		1	CYLINDER BLOCK A	NOT SERVICED, ORDER REF. N. 2
4		1	CYLINDER BLOCK	NOT SERVICED, ORDER REF. N. 2
5	MP10056	10	BOLT	
6	MP10049	10	COVER	
7	MP10051	1	COVER	
8	MP10048	1	DOWEL	
9	MP10050	1	DOWEL	
10	MP10052	1	SHAFT	
11	MP10053	1	BUSH	
12	MP10058	1	PIPE	
13	MP10055	1	DOWEL	
14	MP10054	1	PLUG	
15	MP10057	1	PIN	
16	MP10059	1	RING	
17	MP10060	1	PLUG	
18	MP10061	4	PLUG	
19	MP10062	1	PLUG	
20	MP10085	1	RING	
21	MP10158	1	VALVE	
22	MP10159	1	GASKET	
23	MP10160	1	VALVE	
24	MP10161	1	GASKET	
25	MP10465	1	PIPE	
26	MP10156	1	RING	
27	MP10046	2	BOLT	M8X16
28	MP10157	1	BOLT	M8X16
29	MP10395	1	CUTOUT	

TURBOCHARGER

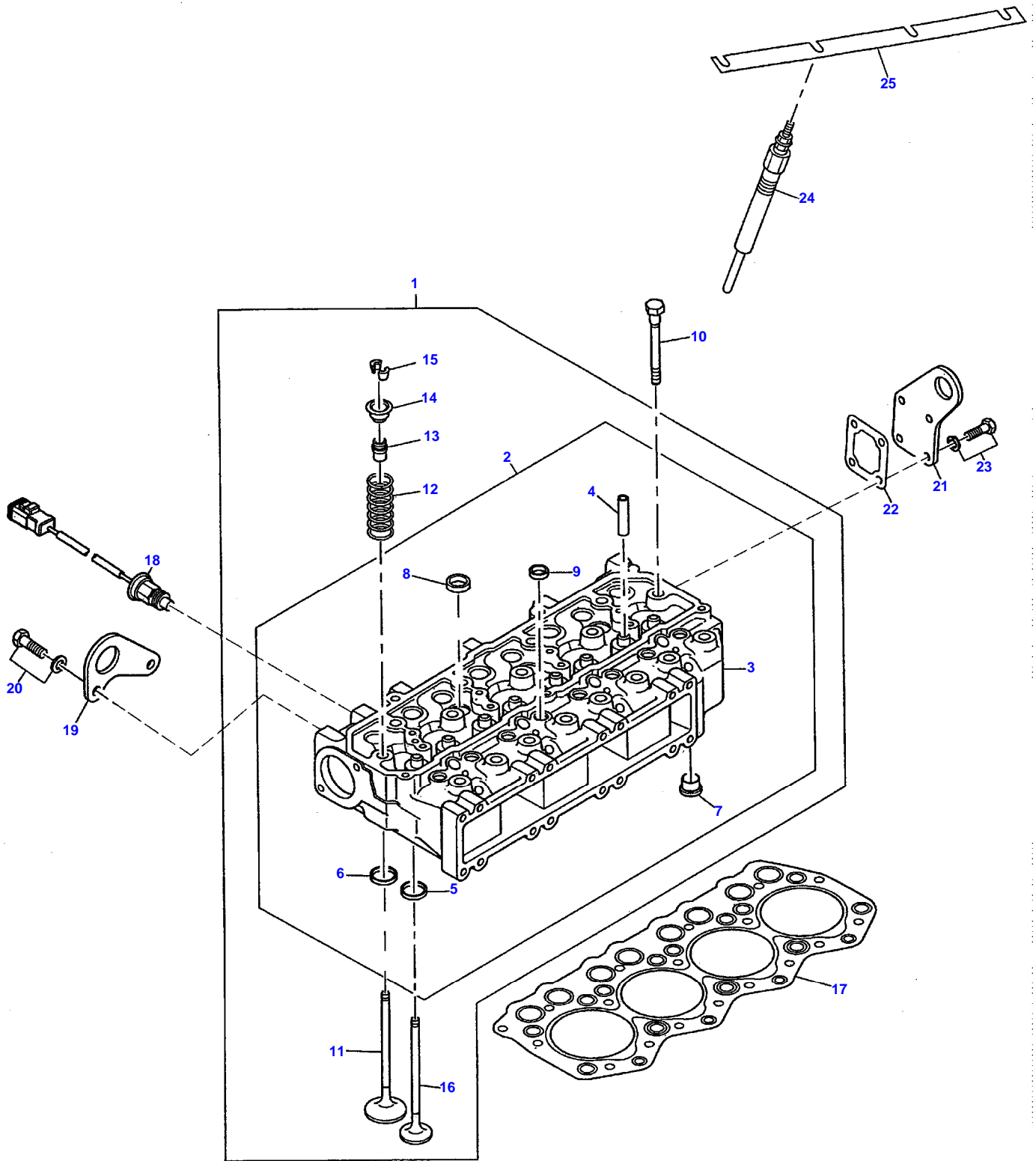
Item	Part Number	Qty	Description
1	MP10461	1	TURBOCHARGER
2	MP10129	1	GASKET
3	MP10462	1	PIPE
4	MP10132	1	CLIP
5	MP10133	1	CLIP
6	MP10404	3	STUD
7	MP10463	1	PIPE
8	MP10135	1	GASKET
9	MP10136	2	BOLT
10	MP10137	1	CLIP
11	MP10399	1	PIPE
12	MP10137	1	CLIP
13	MP10139	1	CONNECTION
14	MP10464	1	PIPE
15	MP10141	1	BOLT
16	MP10142	2	GASKET
17	MP10408	1	CONNECTION
18	MP10145	1	CLAMP
19	MP10145	1	CLAMP
20	MP10146	1	BOLT
21	MP10148	1	WASHER
22	MP10147	1	NUT



Item	Part Number	Qty	Description	Comments
1	MPCK0003	1	KIT	
2		1	CRANKSHAFT	THIS IS A COMPONENT OF AN ASSEMBLY 1 NOT SERVICED, ORDER REF. N. 1
3	MP10042	2	WRENCH	THIS IS A COMPONENT OF AN ASSEMBLY 1
4	MP10280	1	NUT	THIS IS A COMPONENT OF AN ASSEMBLY 1
5	MP10103	2	PIN	THIS IS A COMPONENT OF AN ASSEMBLY 1
6	MPMB0001	1	KIT	THIS IS A COMPONENT OF AN ASSEMBLY 1 STD
	MPMB0001A	1	KIT	THIS IS A COMPONENT OF AN ASSEMBLY 1 SHIM 0.25
	MPMB0001B	1	KIT	THIS IS A COMPONENT OF AN ASSEMBLY 1 SHIM 0.50
	MPMB0001C	1	KIT	THIS IS A COMPONENT OF AN ASSEMBLY 1 SHIM 0.75
7	MPBE0002	1	KIT	THIS IS A COMPONENT OF AN ASSEMBLY 1 STD
	MPBE0002A	1	KIT	THIS IS A COMPONENT OF AN ASSEMBLY 1 SHIM 0.25
	MPBE0002B	1	KIT	THIS IS A COMPONENT OF AN ASSEMBLY 1 SHIM 0.50
	MPBE0002C	1	KIT	THIS IS A COMPONENT OF AN ASSEMBLY 1 SHIM 0.75
8	MPTW0001	1	KIT	THIS IS A COMPONENT OF AN ASSEMBLY 1 STD
	MPTW0001A	1	KIT	THIS IS A COMPONENT OF AN ASSEMBLY 1 SHIM 0.15
	MPTW0001B	1	KIT	THIS IS A COMPONENT OF AN ASSEMBLY 1 SHIM 0.30
9	MP10340	1	GEAR	
10	MP10105	1	PULLEY	[B] FROM SERIAL OR ENGINE NUMBER 07/11/05
	MP10281	1	PULLEY	[A] UP TO SERIAL OR ENGINE NUMBER 06/11/05
11	MP10278	4	KIT	
12		1	GUARD	NOT SERVICED, ORDER REF. N. 11
13		1	CONROD	NOT SERVICED, ORDER REF. N. 11
14	MP10100	2	SCREW	
15	MP10099	2	NUT	
16	MP10279	1	BUSH	
17	MPRK0001	4	KIT	
	MPRK0001A	4	KIT	SHIM 0.25
	MPRK0001B	4	KIT	SHIM 0.50
18	MPPK0002	4	KIT	
	MPPK0002A	4	KIT	SHIM 0.25
	MPPK0002B	4	KIT	SHIM 0.50
19		1	PISTON	THIS IS A COMPONENT OF AN ASSEMBLY 18 NOT SERVICED, ORDER REF. N. 18
20		1	COTTER	THIS IS A COMPONENT OF AN ASSEMBLY 18 NOT SERVICED, ORDER REF. N. 18
21	MP10097	2	RING	THIS IS A COMPONENT OF AN ASSEMBLY 18

FOOTNOTE [A] 1 GROOVE

FOOTNOTE [B] 2 GROOVES

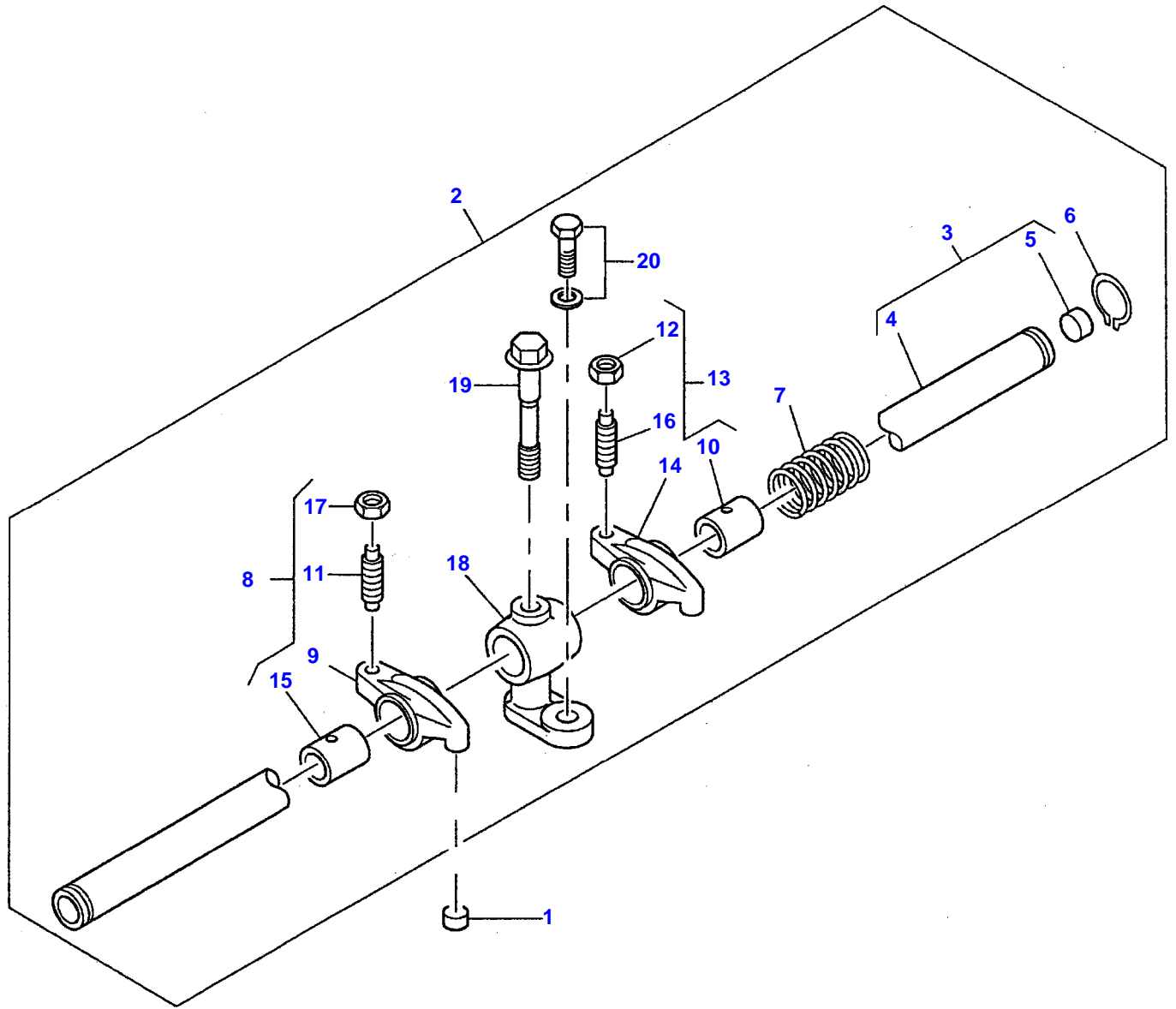


CYLINDER HEAD - PLATE C

Item	Part Number	Qty	Description	Comments
1	MPCH0002	1	KIT	
2	MP10392	1	HEAD	
3		1	CYLINDER HEAD	NOT SERVICED, ORDER N. REF. 2
4	MP10003	8	GUIDE	
5	MP10004	4	VALVE SEAT	
6	MP10005	4	VALVE SEAT	
7	MP10191	1	PLUG	
8	MP10001	1	COVER	
9	MP10002	1	COVER	
10	MP10396	17	BOLT	
11	MP10426	4	VALVE	
12	MP10029	8	SPRING	
13	MP10030	8	RING	
14	MP10031	16	COVER	
15	MP10032	4	DOWEL	
16	MP10423	1	VALVE	
17	MP10425	1	GASKET	
18	MP10352	1	CUTOUT	
19	MP10009	1	EYE	[A]
20	MP10010	2	BOLT	M8X16
21	MP10011	1	EYE	[B]
22	MP10013	1	GASKET	
23	MP10012	4	BOLT	M8X20
24	MP10238	4	PLUG	
25	MP10433	1	BAR	

FOOTNOTE [A] FRONT

FOOTNOTE [B] REAR

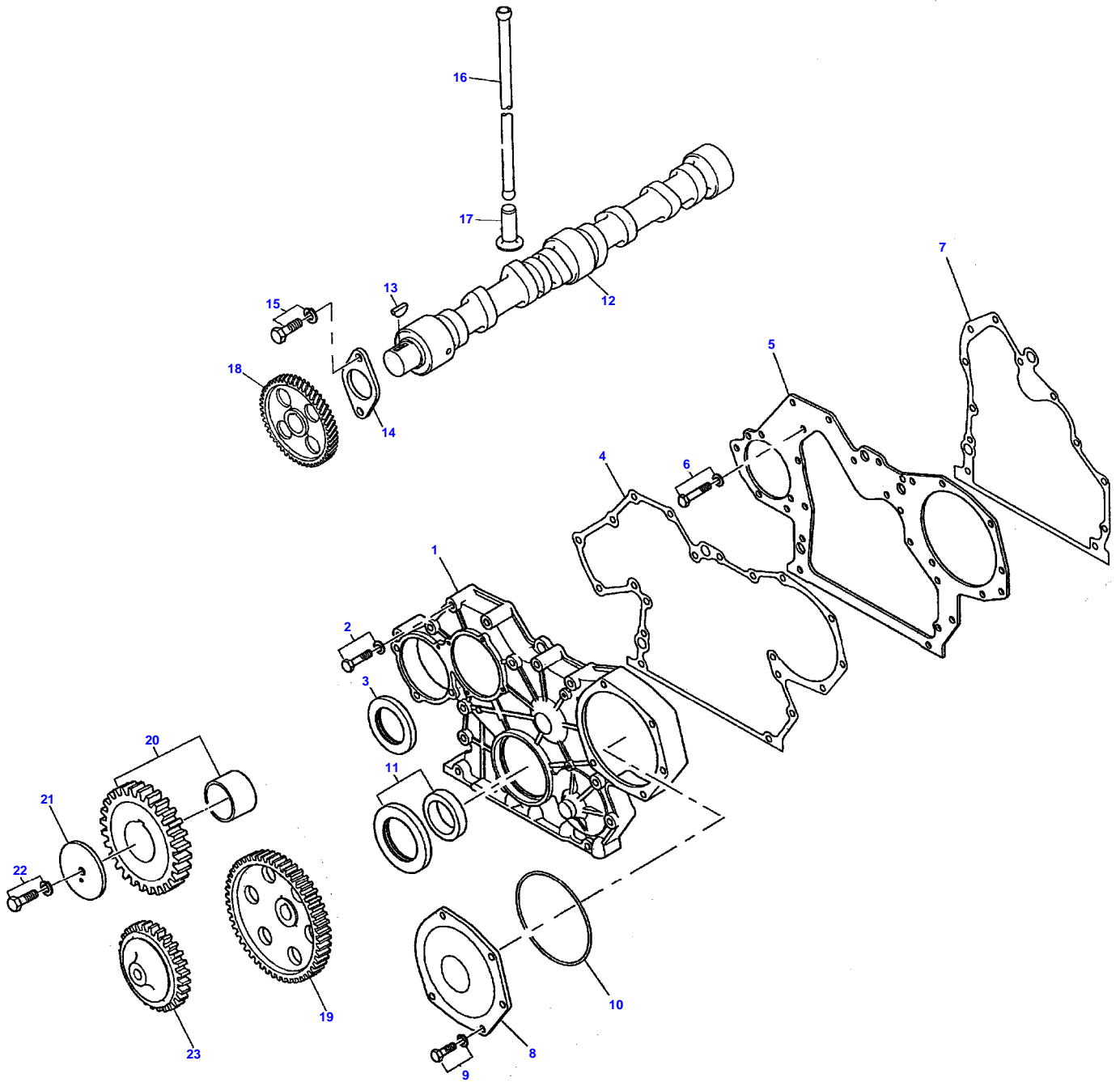


ROCKER SHAFT

Item	Part Number	Qty	Description	Comments
1	MP10033	4	PAD	
2	MP10270	1	KIT	[A]
3	MP10017	1	KIT	[B]
4		1	SHAFT	NOT SERVICED, ORDER REF. N. 3
5	MP10018	2	PLUG	
6	MP10019	2	RING	
7	MP10020	3	SPRING	
8	MP10021	4	KIT	
9		1	ARM	NOT SERVICED, ORDER REF. N. 8
10		1	SHIM	NOT SERVICED, ORDER REF. N. 8
11	MP10022	1	SCREW	
12	MP10023	1	NUT	
13	MP10021	4	KIT	
14		1	ARM	NOT SERVICED, ORDER REF. N. 13
15		1	SHIM	NOT SERVICED, ORDER REF. N. 13
16	MP10022	1	SCREW	
17	MP10023	1	NUT	
18	MP10024	4	STIRRUP	
19	MP10025	4	BOLT	
20	MP10026	1	BOLT	M8X25

FOOTNOTE [A] GREATER

FOOTNOTE [B] LESS



Buy Now



Our support email:

ebooklibonline@outlook.com