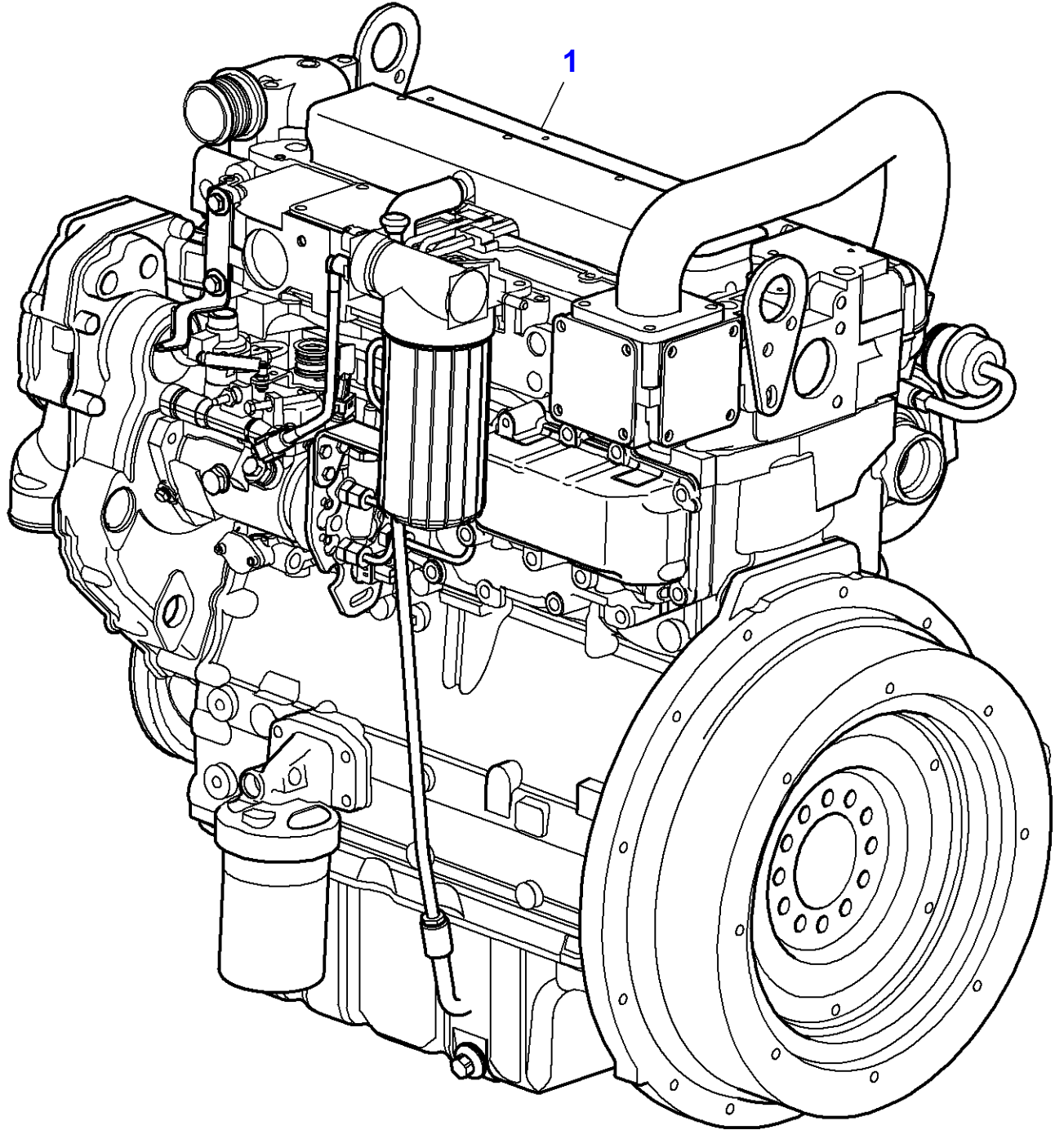


<b>Page Number</b>	<b>Page Title</b>	<b>Page Reference</b>
01-000-TOC	ENGINE, FUEL AND EXHAUST SYSTEM	01-000-TOC
02-000-TOC	DRIVE TRAIN SYSTEM	02-000-TOC
03-000-TOC	HYDRAULIC SYSTEM	03-000-TOC
04-000-TOC	ELECTRICAL SYSTEM	04-000-TOC
05-000-TOC	CAB	05-000-TOC
06-000-TOC	DECALS	06-000-TOC
07-000-TOC	WHEELS	07-000-TOC
08-000-TOC	ARTICULATING ARM	08-000-TOC
09-000-TOC	HITCH	09-000-TOC

<b>Page Number</b>	<b>Page Title</b>	<b>Page Reference</b>
01-0001	ENGINE	AA016001-1
01-0002	FLYWHEEL	00956001-1
01-0003	ENGINE - FLYWHEEL HOUSING	LA046007-1
01-0004	ENGINE - CYLINDER-BLOCK	05606008-1
01-0005	CRANKSHAFT, PISTONS & PISTON ROD	05636007-1
01-0006	CYLINDER HEAD	05666007-1
01-0007	INTAKE VALVE, EXHAUST VALVE & CAMSHAFT	05696004-1
01-0008	ENGINE - TIMING GEAR HOUSING	05726004-1
01-0009	BALANCER UNIT	05846001-1
01-0010	INJECTION PUMP	05876008-1
01-0011	OIL SUMP	06086004-1
01-0012	ENGINE - LUBRICATING OIL FILLER & BREATHER	06156004-1
01-0013	ENGINE - OIL COOLER & OIL FILTER	06206009-1
01-0014	ENGINE - WATER PUMP	02756001-1
01-0015	ENGINE - THERMOSTAT	LA096001-1
01-0016	FUEL LINE & FILTER	06706012-1
01-0017	ENGINE - INTAKE & EXHAUST MANIFOLD	03056001-1
01-0018	ENGINE - TURBOCHARGER	06476005-1
01-0019	ENGINE - HEATER/STARTER SWITCH	06726001-1
01-0020	ENGINE GASKETS SETS	LA246001-1
01-0021	ENGINE AUXILIARY EQUIPMENT	AC306016-1
01-0022	ALTERNATOR	01606001-1
01-0023	STARTER MOTOR	HB256002-1
01-0024	COOLING SYSTEM	AC106010-1
01-0025	EXHAUST	03106001-1
01-0026	ENGINE SUPPORT	89696001-1
01-0027	SHEET METAL	AR016010-1
01-0028	SOUND PROOFING	79356003-1
01-0029	FUEL SYSTEM - FUEL TANK & ATTACHMENTS	IS356007-1
01-0030	ATTACHMENTS - PRE-FUEL CLEANER	00256001-1

6-AA01-001-B



---

Massey Ferguson

MF 8947 TELESCOPIC HANDLER - ( 3636 11187-999)

3906014

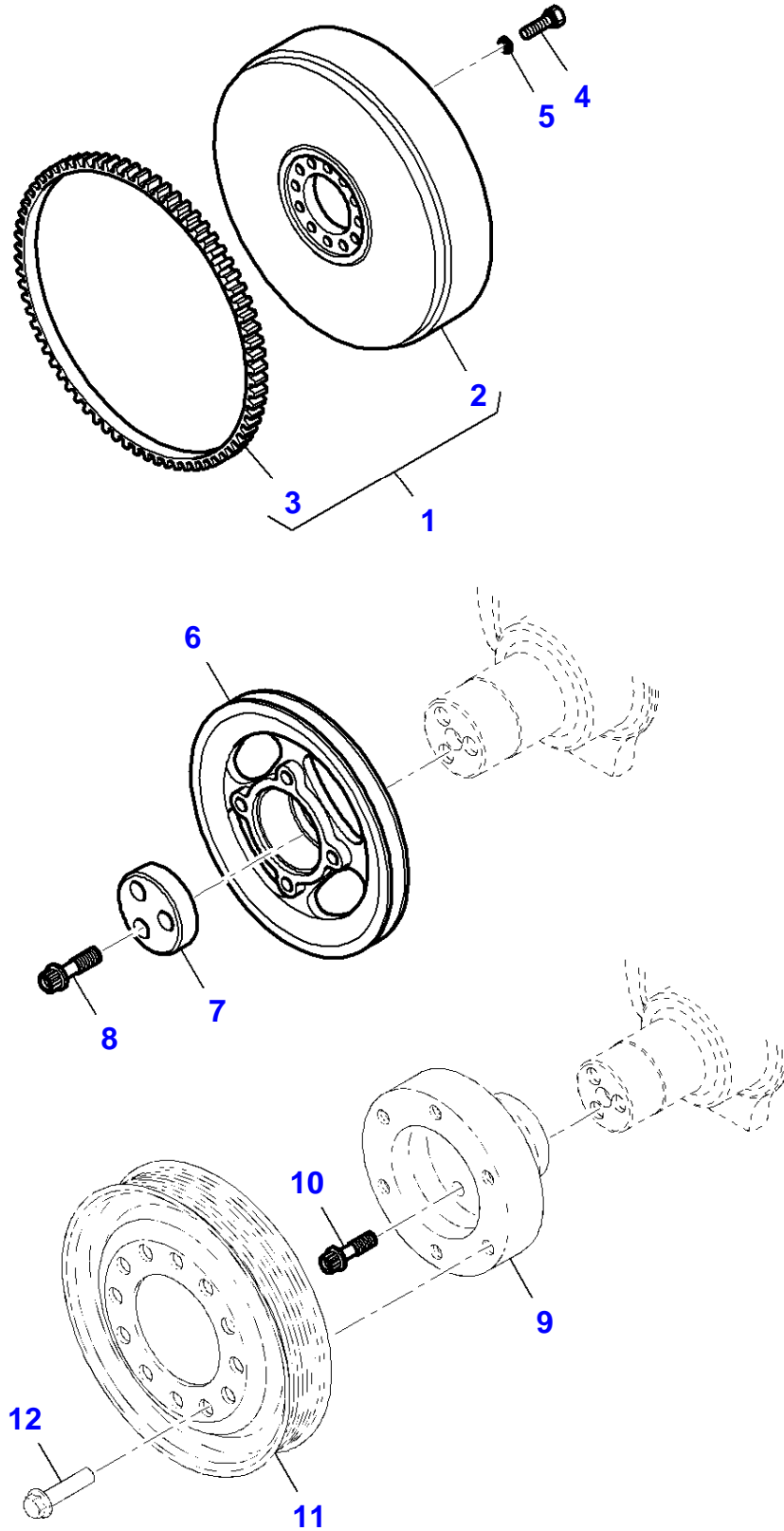
ENGINE

Page01-0001

---

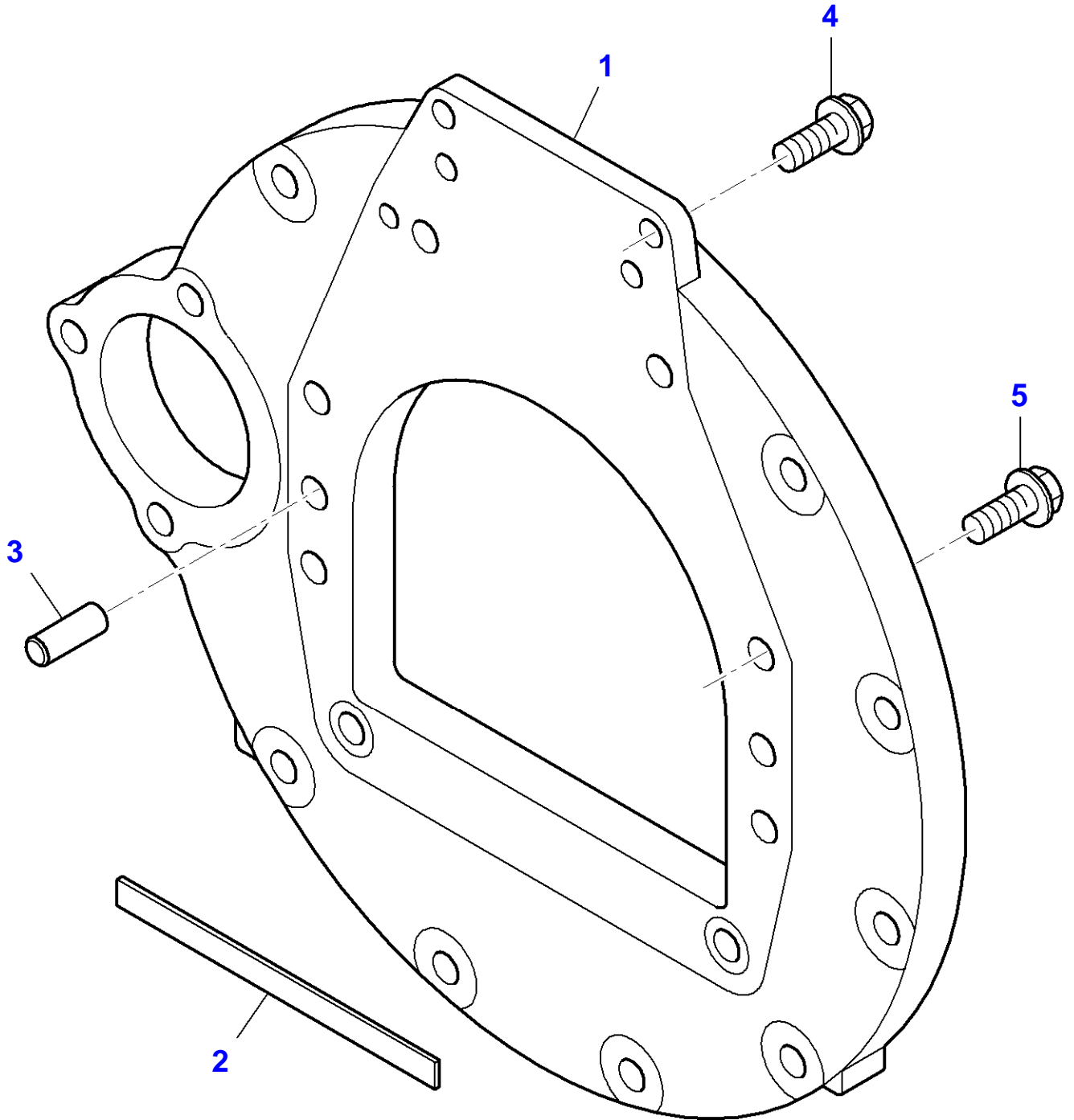
Item	Part Number	Qty	Description Comments
1	4225394M1	1	ENGINE PK LIST RG37985

6-0095-001-C



Item	Part Number	Qty	Description Comments
1	4222383M91	1	FLYWHEEL
2	NS	1	NON-SERVICEABLE PART (1) FLYWHEEL ORDER ITEM 1
3	738588M1	1	GEAR,STARTERRING (1)
4	4237610M1	1	SCREW
5	745365M1	1	WASHER
6	4222400M1	1	CRANKSHAFT PULLEY UP TO SERIAL OR ENGINE NUMBER U0560074T
7	4222401M1	1	THRUST BLOCK UP TO SERIAL OR ENGINE NUMBER U0560074T
8	748074M1	3	HEXAGON FLANGE BOLT UP TO SERIAL OR ENGINE NUMBER U0560074T
9	4227117M1	1	ADAPTER FROM SERIAL OR ENGINE NUMBER U0560075T
10	4226960M1	3	SCREW FROM SERIAL OR ENGINE NUMBER U0560075T
11	4226303M1	1	PULLEY FROM SERIAL OR ENGINE NUMBER U0560075T
12	4222770M1	6	HEX CAP SCREW FROM SERIAL OR ENGINE NUMBER U0560075T

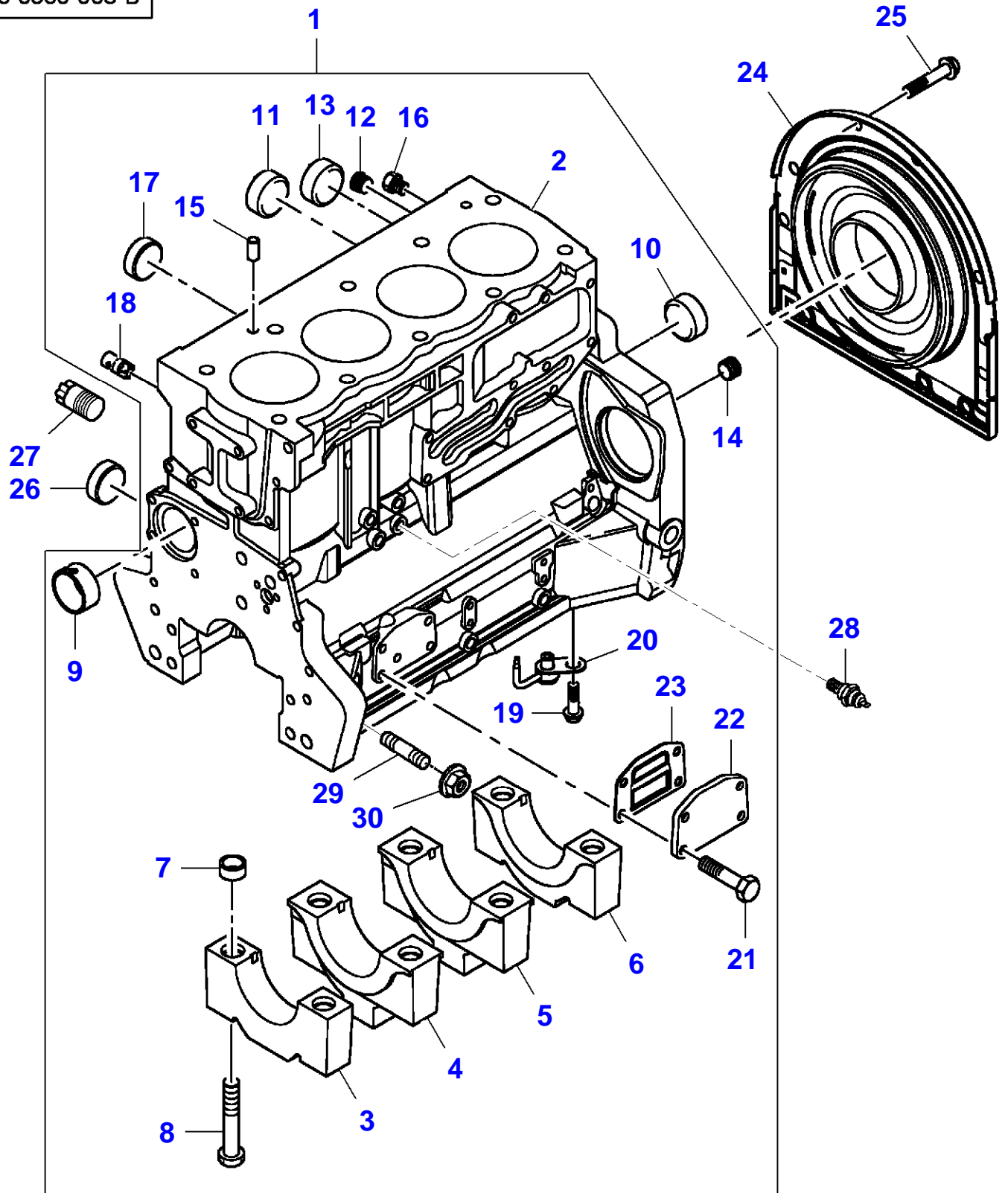
6-LA04-007-B



<b>Item</b>	<b>Part Number</b>	<b>Qty</b>	<b>Description Comments</b>
1	3640359M1	1	FLYWHEEL HOUSING
2	737143M1	1	SEAL
3	1028450M1	2	DOWEL
4	3637082M1	2	HEXAGON FLANGE BOLT
5	3641442M1	6	HEXAGON FLANGE BOLT



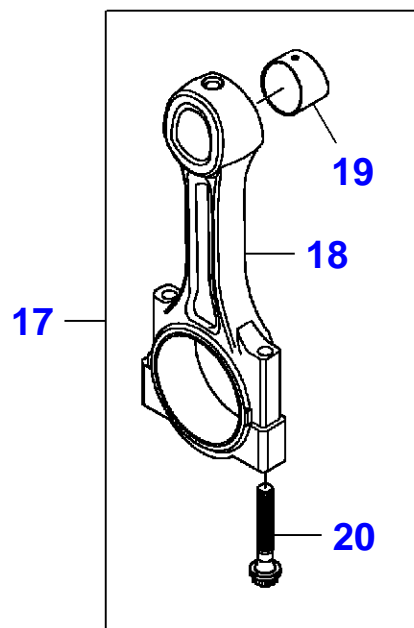
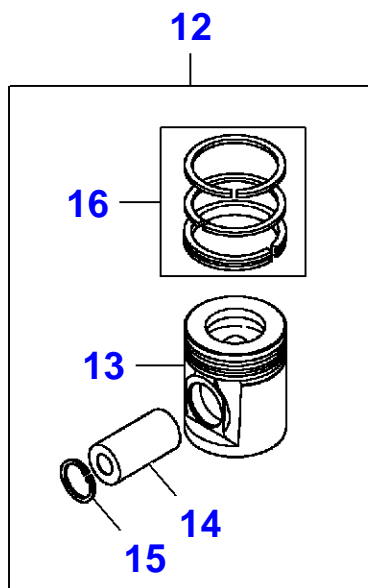
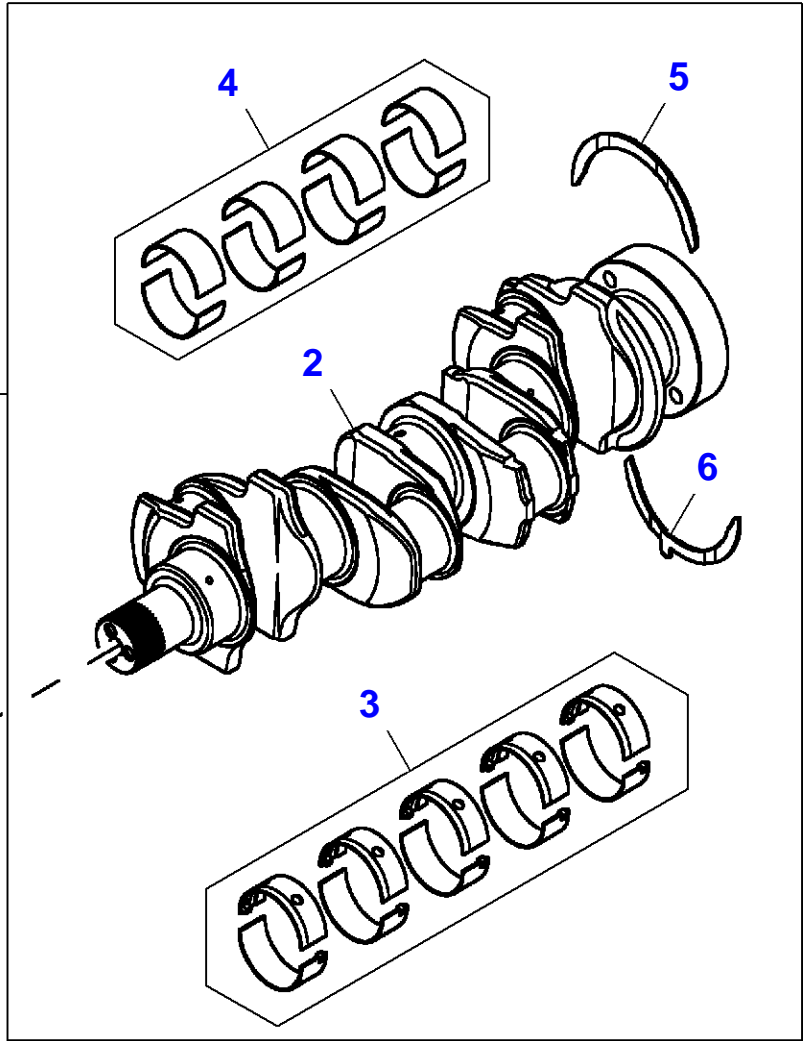
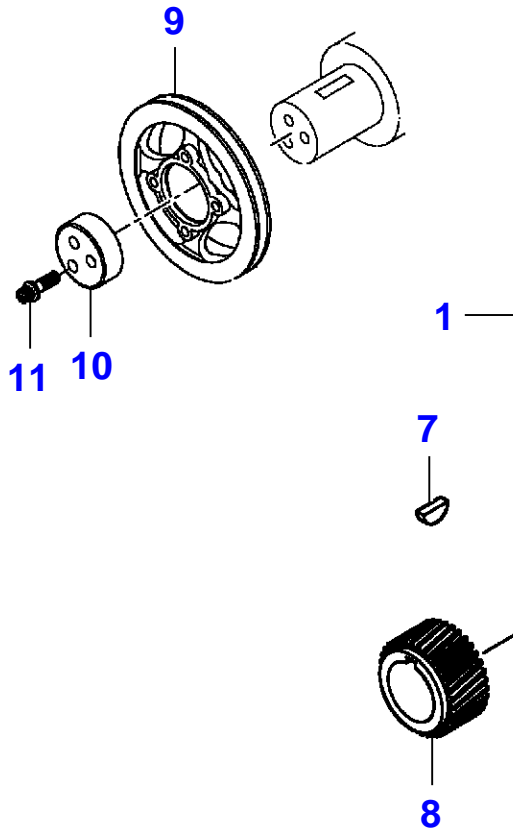
6-0560-008-B



Item	Part Number	Qty	Description Comments	Technical Specification
1	4225371M91	1	KIT,CYL.BLOCK	
2		1	(1) CYLINDER-BLOCK NOT SERVICED,ORDER REF. 1	
3		1	(1) BEARING CAP NOT SERVICED,ORDER REF. 1	
4		2	(1) BEARING CAP NOT SERVICED,ORDER REF. 1	
5		1	(1) BEARING CAP NOT SERVICED,ORDER REF. 1	
6		1	(1) BEARING CAP NOT SERVICED,ORDER REF. 1	
7	733072M1	10	THIMBLE	
8	1476108X1	10	HEX CAP SCREW	
9	4224829M1	1	BUSH	
10	4224874M1	1	PLUG	
11	4224873M1	2	PLUG	
12	363819X1	1	PLUG	3/4"-14
13	731354M1	1	PLUG	
14	4224863M1	1	PLUG	
15	4224009M1	2	DOWEL	
16	4224866M1	2	PLUG	
17	4224781M1	1	PLUG	
18	4224865M1	1	PLUG	
19	3641648M1	4	HEXAGON FLANGE BOLT	
20	4224717M1	4	JET	
21	3638435M1	4	HEX CAP SCREW	M8 X 20
22	4224936M1	1	BLANKING PLATE	
23	4224973M1	1	GASKET	
24	4224762M1	1	HOUSING	
25	4224860M1	10	HEXAGON FLANGE BOLT	
26	4224782M1	1	PLUG	
27	4225132M1	1	PLUG	
28	4226132M1	1	PRESSURE SENSOR	
29	4222430M1	8	STUD BOLT	
30	3637067M1	8	NUT	
31	4226209M91	1	SHORT ENGINE	

[A]  
[A] NOT ILLUSTRATED

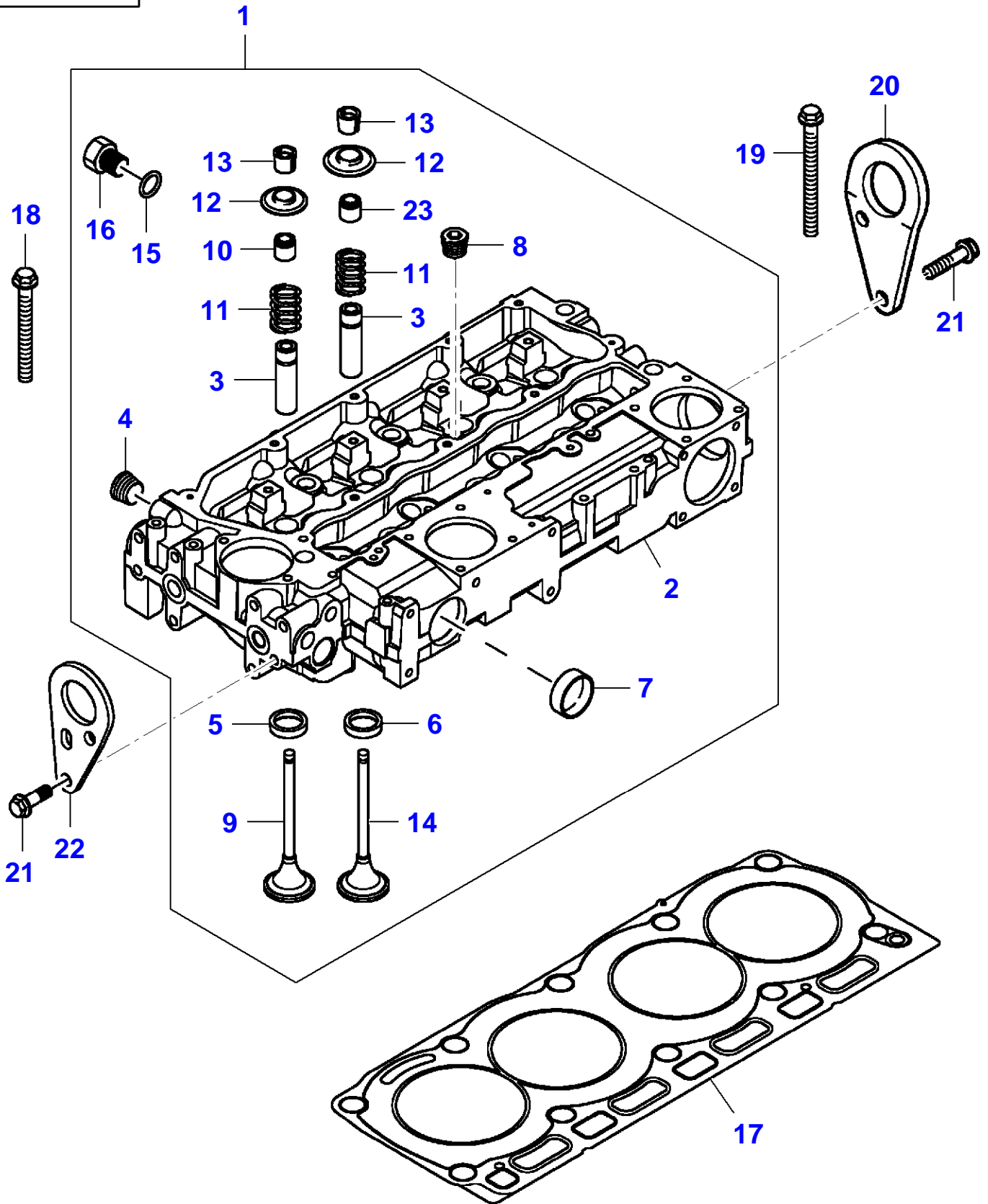
6-0563-007-B



Item	Part Number	Qty	Description Comments	Technical Specification
1	4225085E91	1	KIT, CRANKSHAFT EXCHANGE	
2	4225085M91	1	KIT, CRANKSHAFT	
		1	(1) CRANKSHAFT NOT SERVICED,ORDER REF. 1	
3	4225059M91	1	KIT, BEARING	
	4225060M91	X	(1) KIT, BEARING THICKNESS (+) 0.010"	
	4225061M91	X	KIT, BEARING THICKNESS (+) 0.020"	
	4225062M91	X	KIT, BEARING THICKNESS (+) 0.030"	
4	4225063M91	1	KIT, BEARING	
	4225064M91	X	(1) KIT, BEARING THICKNESS (+) 0.010"	
	4225065M91	X	KIT, BEARING THICKNESS (+) 0.020"	
	4225066M91	X	KIT, BEARING THICKNESS (+) 0.030"	
5	747128M1	2	THRUST WASHER	
	735742M1	X	(1) THRUST WASHER THICKNESS (+) 0.007"	
6	747129M1	2	THRUST WASHER	
	735743M1	X	(1) THRUST WASHER THICKNESS (+) 0.007"	
7	70905845	1	WOODRUFF KEY	3/16 X 1-1/2
8	4224833M1	1	GEAR,CRANKSHAFT	
9	4222400M1	1	CRANKSHAFT PULLEY	
10	4222401M1	1	THRUST BLOCK	
11	748074M1	3	HEXAGON FLANGE BOLT	
12	4225019M91	4	KIT, PISTON/RING	
13		1	(12) PISTON NOT SERVICED,ORDER REF. 12	
14		1	(12) PISTON PIN NOT SERVICED,ORDER REF. 12	
15	4225135M1	2	WASHER	
16	4225072M91	1	(12) KIT, PISTON RING	
17	4225011M91	4	KIT, CONROD GRADE 'F'	GRADE F/RED
	4225012M91	4	KIT, CONROD GRADE 'G'	GRADE G/ORANGE
	4225013M91	4	KIT, CONROD GRADE 'H'	
	4225014M91	4	KIT, CONROD GRADE 'J'	GRADE J/GREEN
	4225015M91	4	KIT, CONROD GRADE 'K'	GRADE K/PURPLE

Item	Part Number	Qty	Description Comments	Technical Specification
17	4225016M91	4	KIT, CONROD GRADE 'L'	GRADE L/BLUE
18		1	(17) PISTON ROD NOT SERVICED,ORDER REF. 17	
19	4224827M1	1	BUSH (17)	
20	4224864M1	2	HEXAGON FLANGE BOLT (17)	

6-0566-007-B



**Buy Now**



Our support email:

[ebooklibonline@outlook.com](mailto:ebooklibonline@outlook.com)