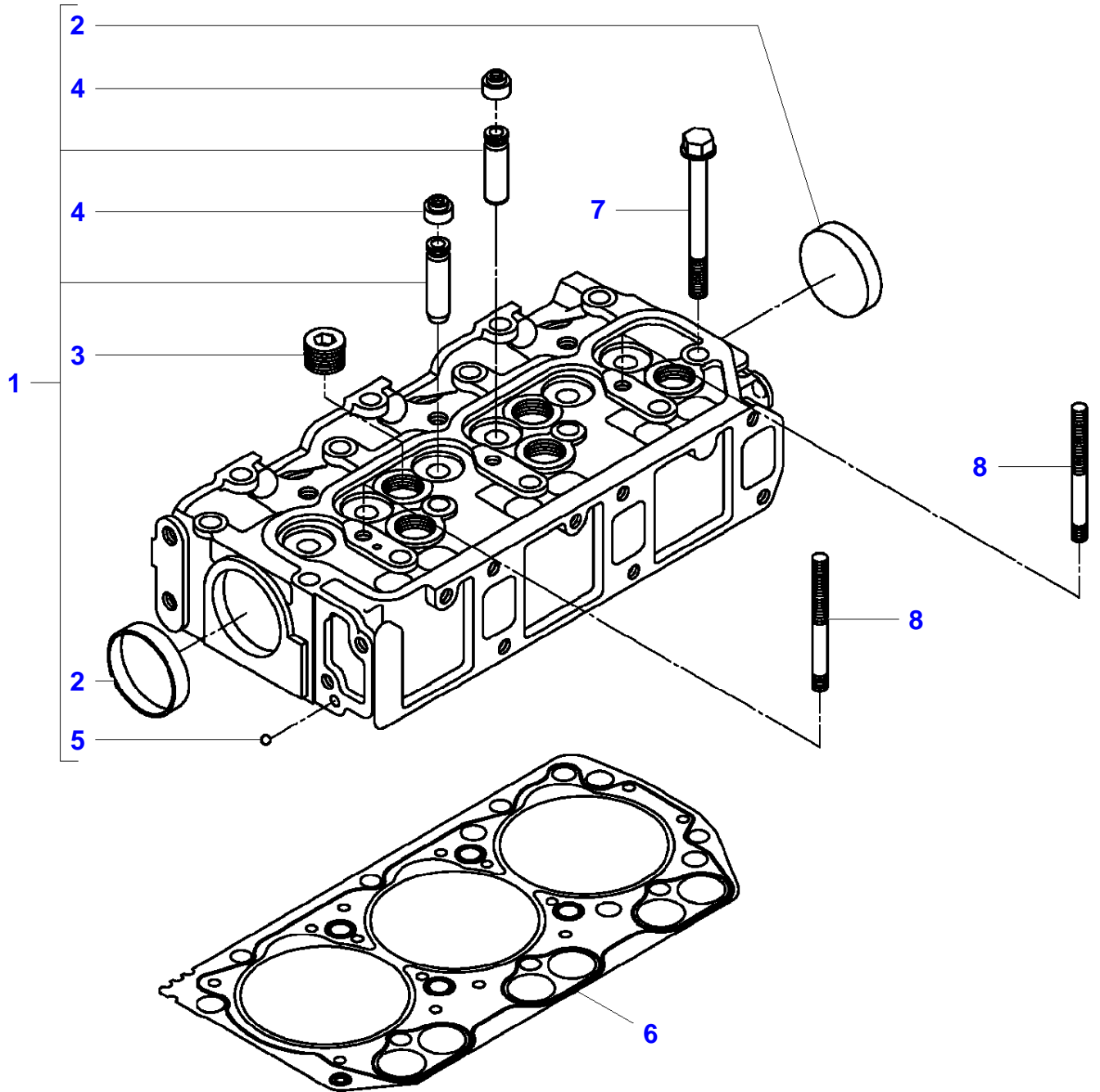


Page Title	Page Number
Engine - Cylinder Head	010-0005
Engine - Cylinder Head Cover	010-0010
Engine - Intake Manifold	010-0015
Engine - Exhaust Manifold	010-0020
Engine - Turbo Compressor	010-0025
Engine - Cylinder Block	010-0030
Engine - Cylinder Block	010-0035
Engine - Connecting Rod Bearings - Repair Kit	010-0040
Engine - Oil Sump	010-0045
Engine - Rear Plate	010-0050
Engine - Timing Gear Housing	010-0055
Engine - Hanger	010-0060
Engine - Rocker Arm	010-0065
Engine - Camshaft	010-0070
Engine - Piston	010-0075
Engine - Crankshaft	010-0080
Engine - Oil Pump	010-0085
Engine - Water Pump	010-0090
Engine - Fan	010-0095
Engine - Injection System	010-0100
Engine - Injection System - Injection Nozzle	010-0105
Engine - Injection Pump	010-0110
Engine - Injection Pump	010-0115
Engine - Fuel Pipe	010-0120
Engine - Repair Kit	010-0125

I-IS01-002-A



**Massey Ferguson****MF 1540 COMPACT TRACTOR - 3906060**

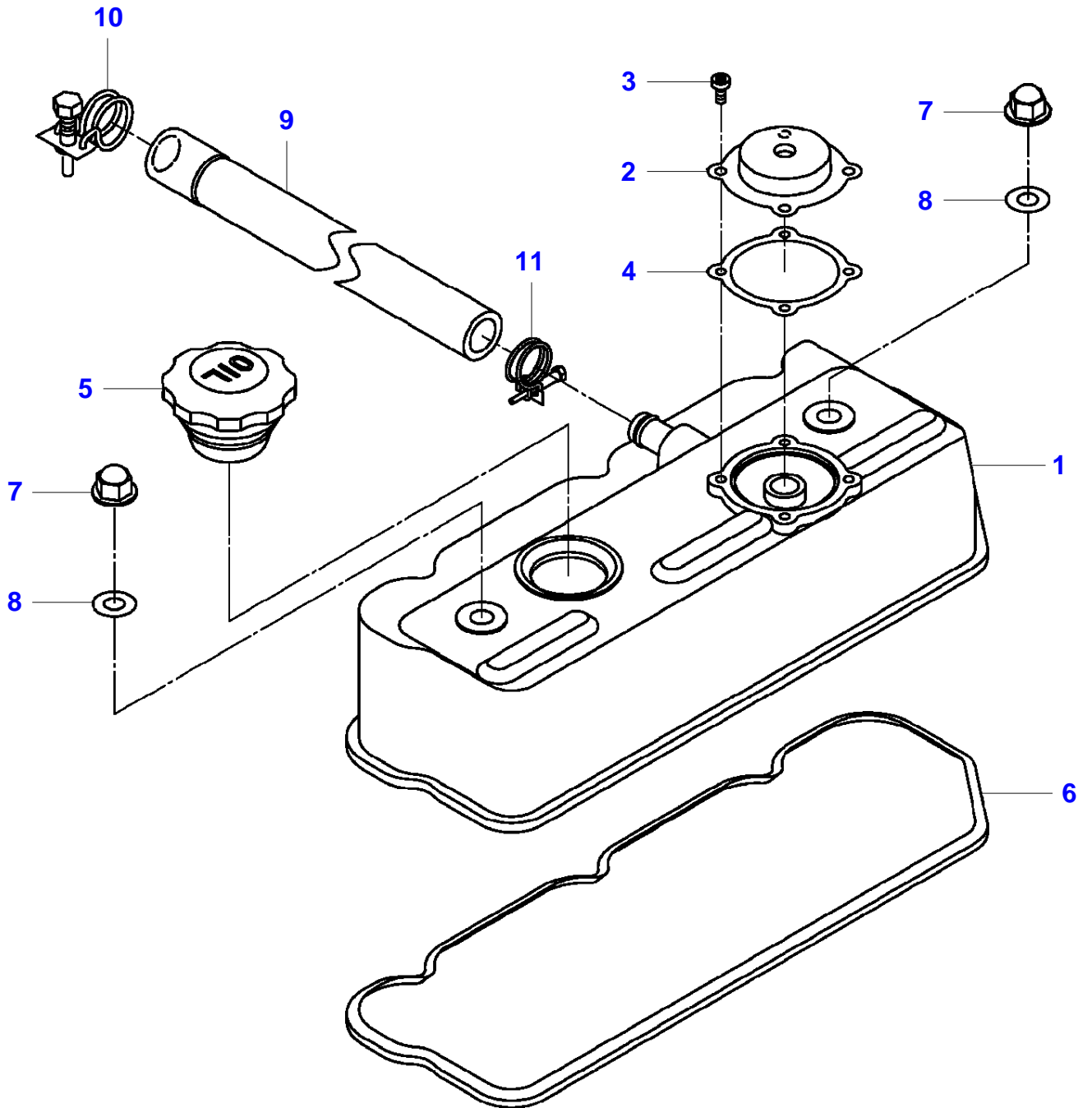
3906060

**Engine - Cylinder Head**

Page010-0005

Item	Part Number	Qty	Description	Comments
1	6242277M92	1	Cylinder Head	
2	3710542M1	2	Cup	(1) Diameter 50 mm
3	3707877M2	5	Plug	(1)
4	3710256M1	6	Oil Seal	(1)
5	3711713M1	1	Ball	(1)
6	6242056M2	1	Head Gasket	
7	3710536M1	14	Hex Screw	
8	3607420M1	2	Stud	

I-IS02-003-A



Engine - Cylinder Head Cover

Item	Part Number	Qty	Description	Comments
1	3608540M92	1	Valve Cover	
2	6242410M1	1	Cover	
3	3710529M1	4	Hex Socket Screw	
4	6242409M1	1	Packing	
5	<b>3710188M1</b>	1	Plug	
6	<b>3710553M1</b>	1	Gasket	
7	3710127M2	2	Nut	
8	4267629M1	2	Gasket	
9	6242263M1	1	Hose	
10	3756937M1	1	Hose Clip	Diameter 16-20
11	3756936M1	1	Hose Clip	Diameter 13-18

Thank you so much for reading.  
Please click the “Buy Now!”  
button below to download the  
complete manual.



After you pay.

You can download the most  
perfect and complete manual in  
the world immediately.

Our support email:

[ebooklibonline@outlook.com](mailto:ebooklibonline@outlook.com)