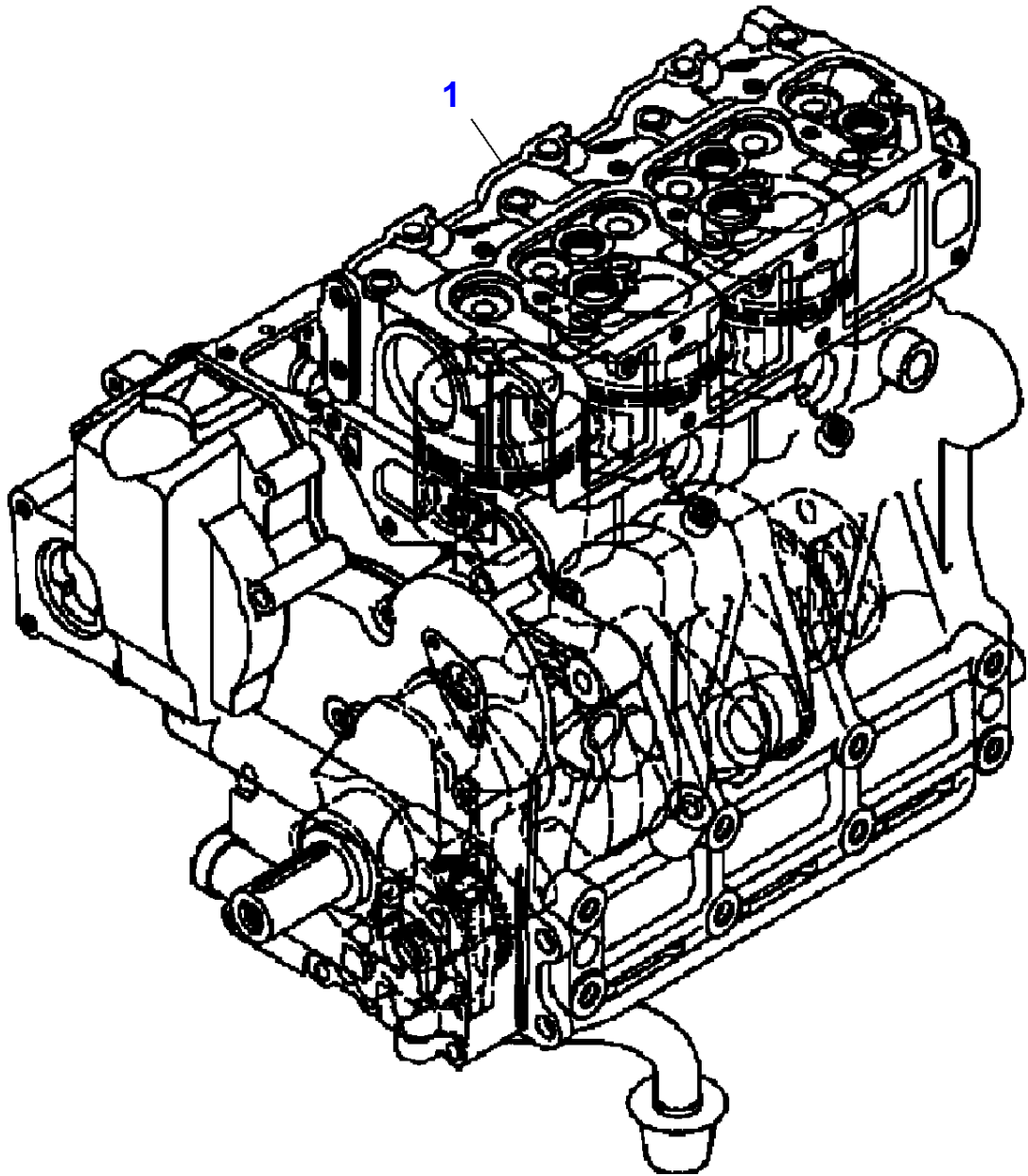


Page Title	Page Number
Engine	010-0005
Engine - Cylinder Head	010-0010
Engine - Cylinder Head Cover	010-0015
Engine - Intake Manifold	010-0020
Engine - Exhaust Manifold	010-0025
Engine - Cylinder Block	010-0030
Engine - Connecting Rod Bearings - Repair Kit	010-0035
Engine - Oil Sump	010-0040
Engine - Rear Plate	010-0045
Engine - Timing Gear Housing	010-0050
Engine - Hanger	010-0055
Engine - Rocker Arm	010-0060
Engine - Camshaft	010-0065
Engine - Piston	010-0070
Engine - Crankshaft	010-0075
Engine - Oil Pump	010-0080
Engine - Water Pump	010-0085
Engine - Fan	010-0090
Engine - Injection System	010-0095
Engine - Injection System - Injection Nozzle	010-0100
Engine - Injection Pump	010-0105
Engine - Injection Pump	010-0110
Engine - Fuel Pipe	010-0115
Engine - Repair Kit	010-0120

I-IS90-001-B



Massey Ferguson

MF 1532H COMPACT TRACTOR - 3906086

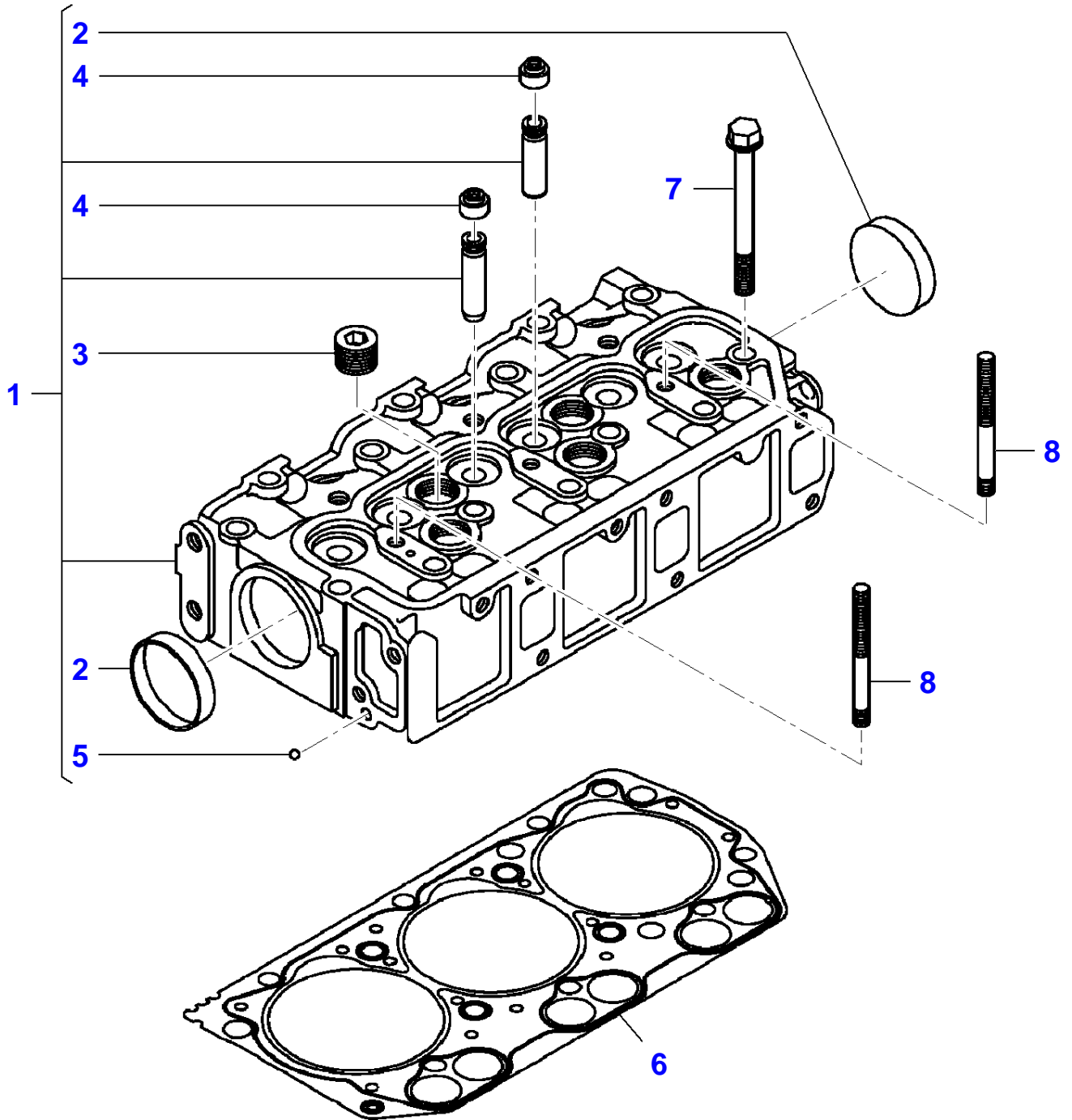
3906086

Engine

Page010-0005

Item	Part Number	Qty	Description
1	6242540M91	1	Short Engine

I-IS01-002-B



Massey Ferguson

MF 1532H COMPACT TRACTOR - 3906086

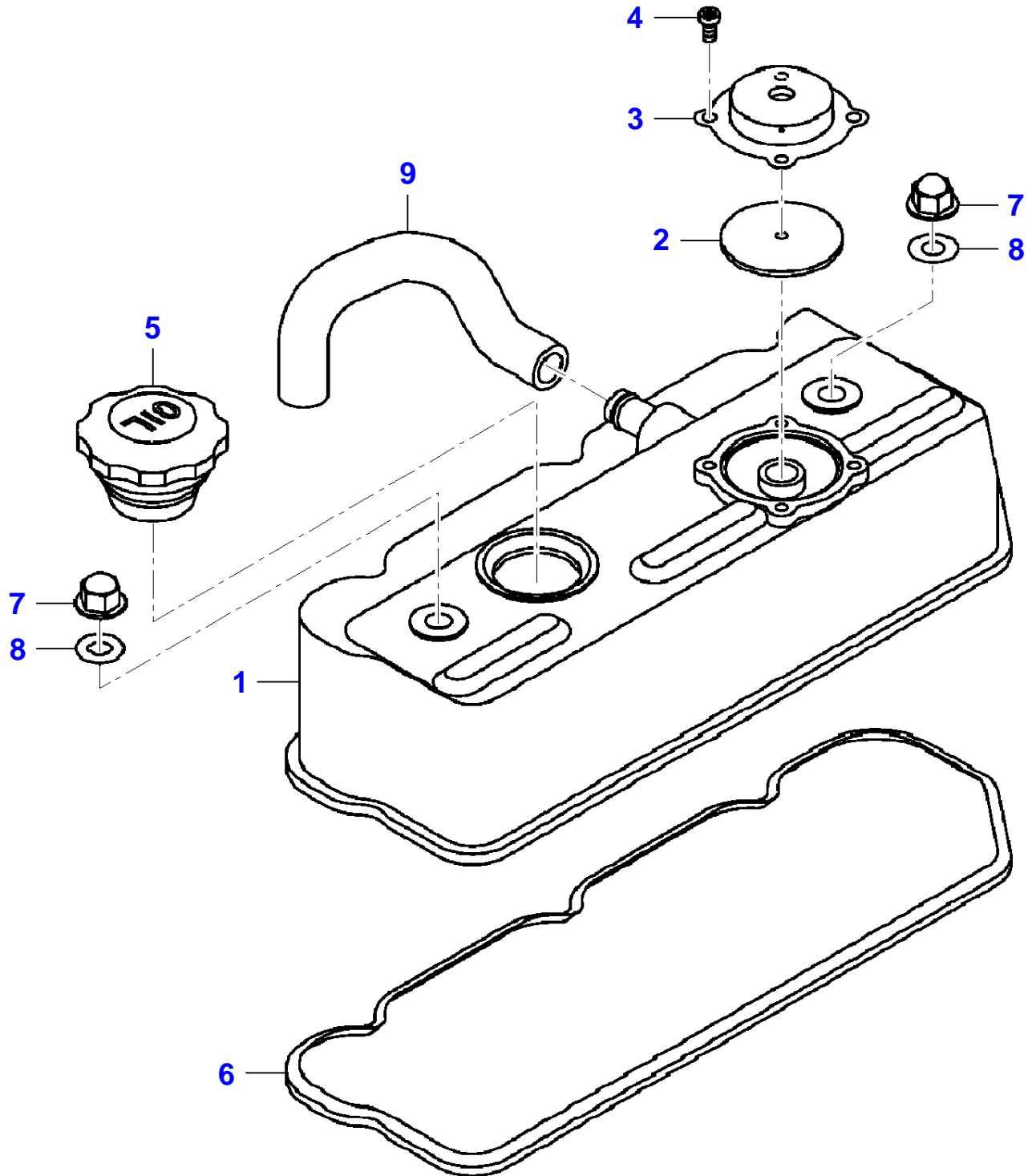
3906086

Engine - Cylinder Head

Page010-0010

Item	Part Number	Qty	Description	Comments
1	6242054M92	1	Kit, Cyl. Head	
2	3710542M1	2	Cup	(1) Diameter 50 mm
3	3707877M2	5	Plug	(1)
4	3710256M1	6	Oil Seal	(1)
5	3711713M1	1	Ball	(1)
6	6242056M2	1	Head Gasket	
7	3710536M1	14	Carriage Bolt	
8	3607420M1	2	Stud	

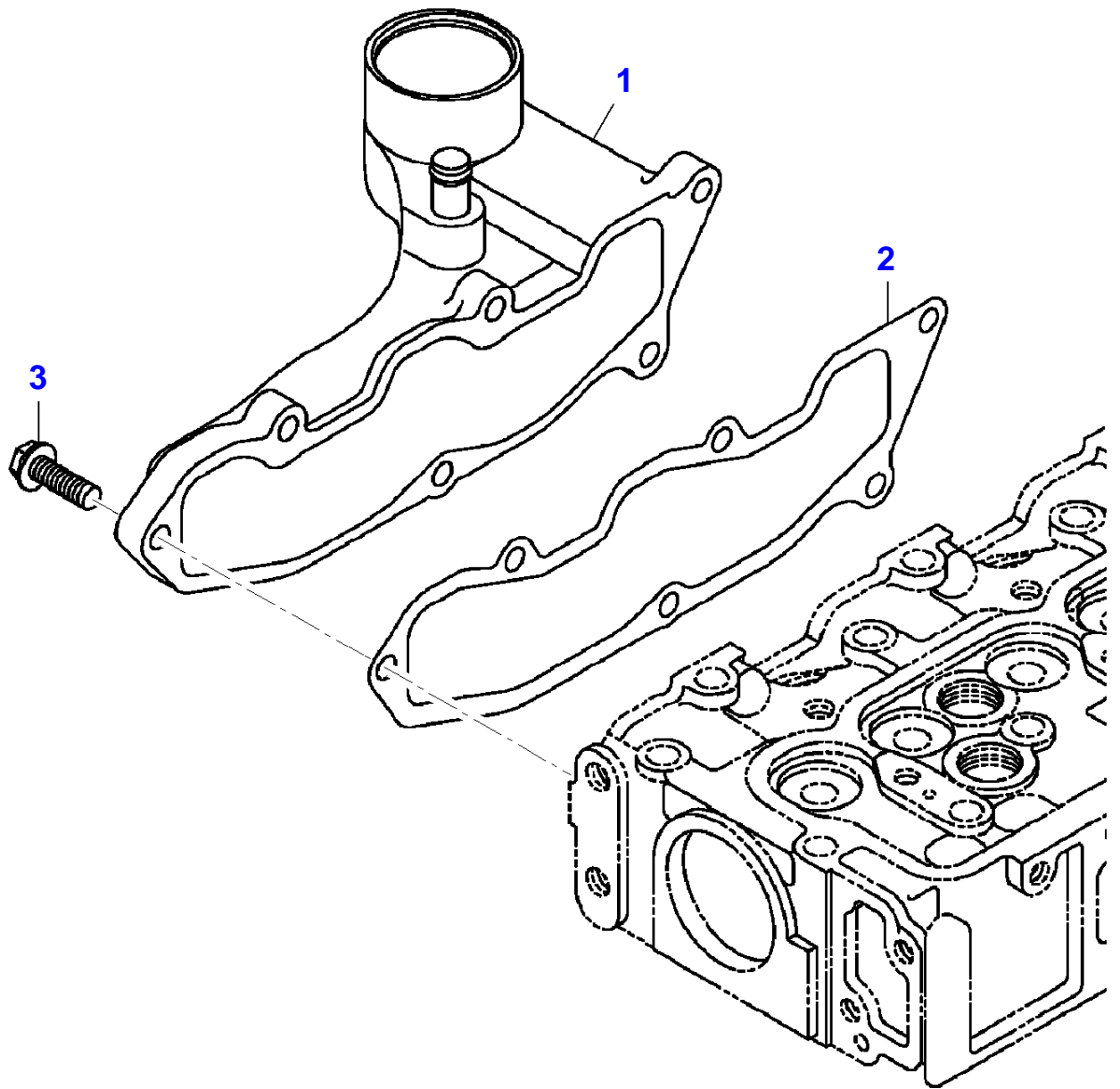
I-IS02-002-B



Engine - Cylinder Head Cover

Item	Part Number	Qty	Description
1	3608540M92	1	Valve Cover
2	3710554M1	1	Rubber
3	3710561M1	1	Cover
4	3710529M1	4	Hex Socket Screw
5	<b>3710188M1</b>	1	Plug
6	<b>3710553M1</b>	1	Seal
7	3710127M2	2	Blind Nut
8	4267629M1	2	Gasket
9	6242049M2	1	Hose

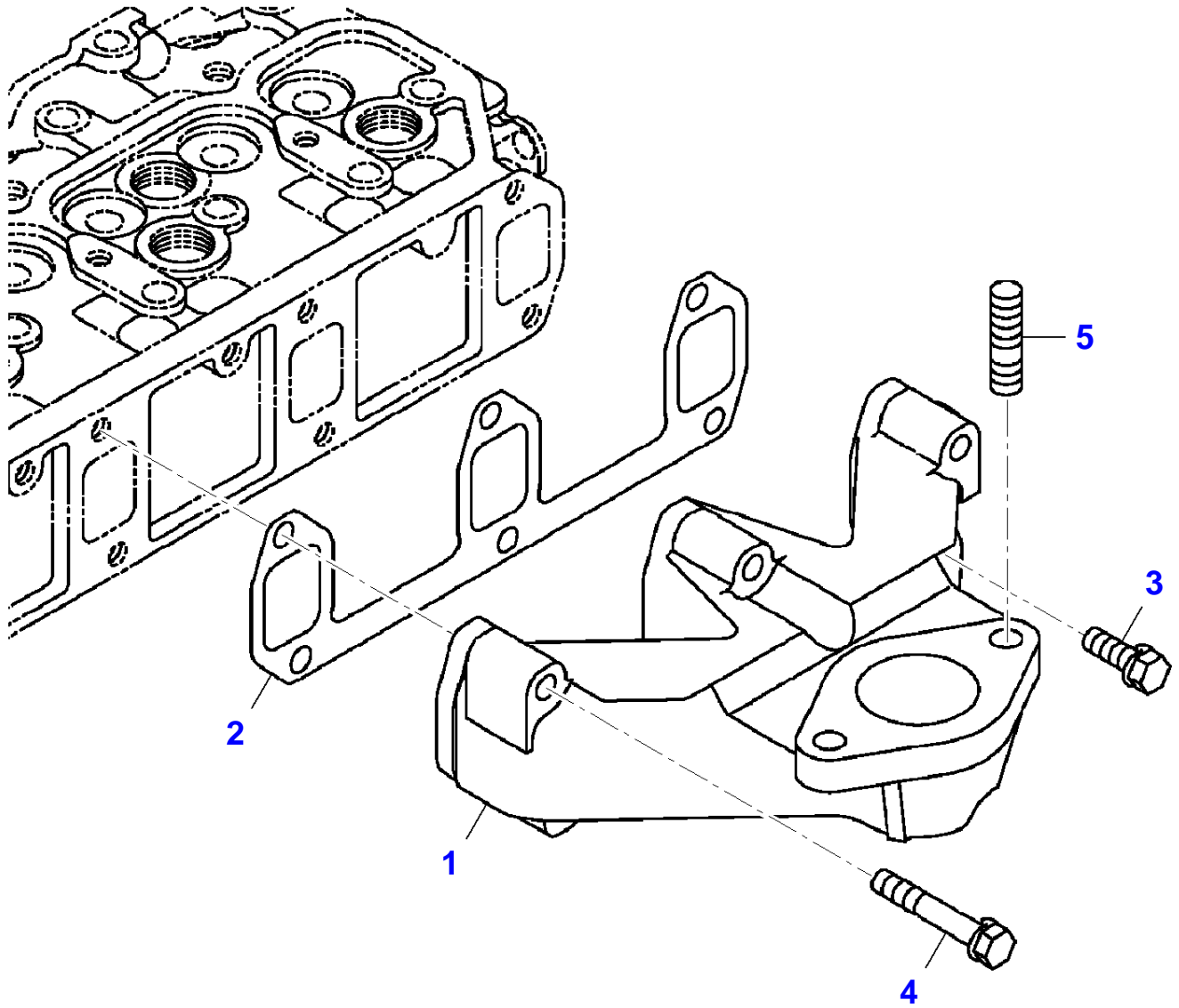
I-IS03-002-B





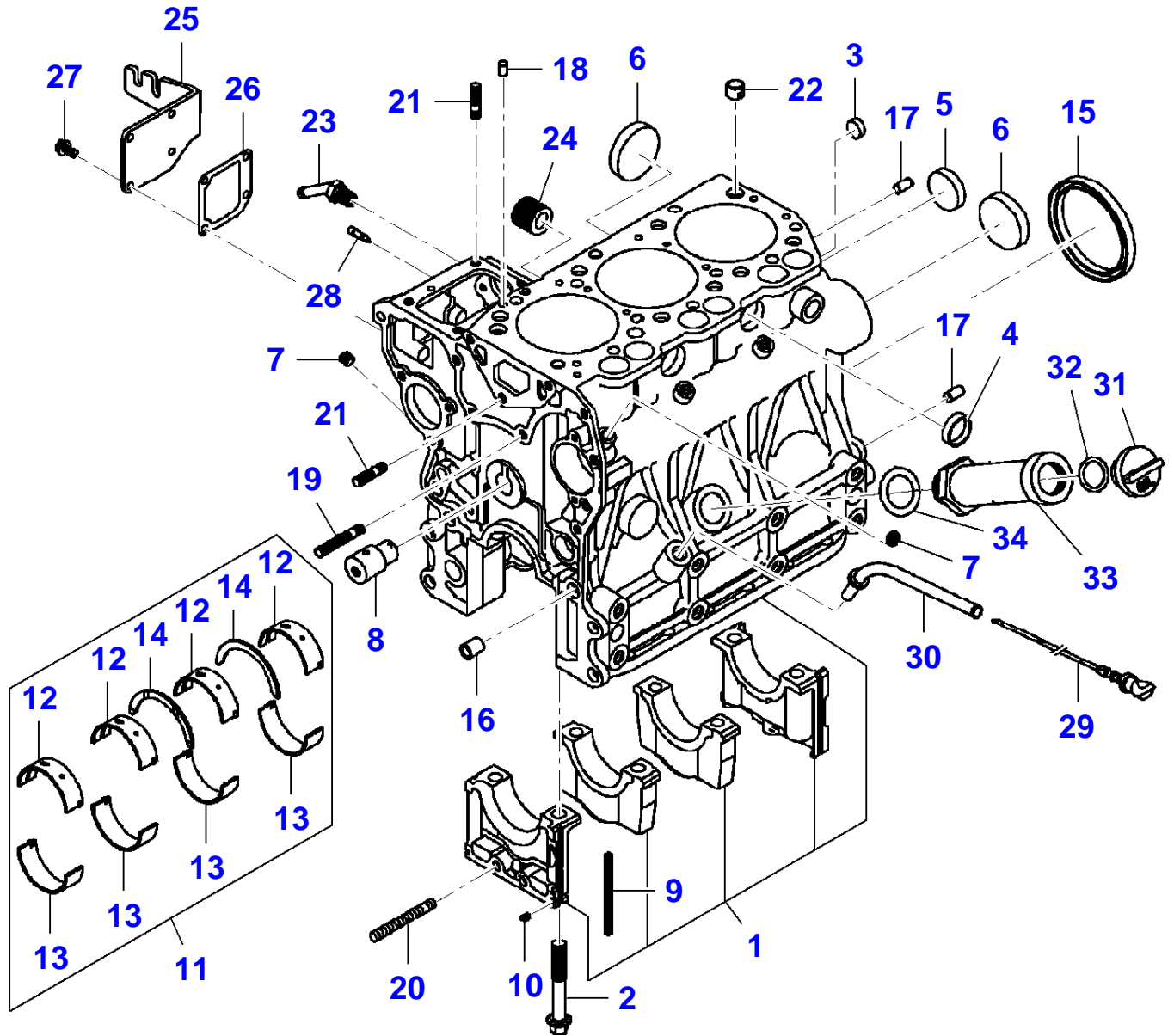
Item	Part Number	Qty	Description
1	3710647M91	1	Intake Manifold
2	3710649M1	1	Joint
3	4267568M1	6	Carriage Bolt

I-IS04-002-B



Item	Part Number	Qty	Description
1	6242075M1	1	Exhaust Manifold
2	3710652M1	1	Joint
3	3702273M1	1	Hex Cap Screw
4	3704253M1	5	Hex Cap Screw
5	3704355M1	2	Stud

I-IS05-012-A

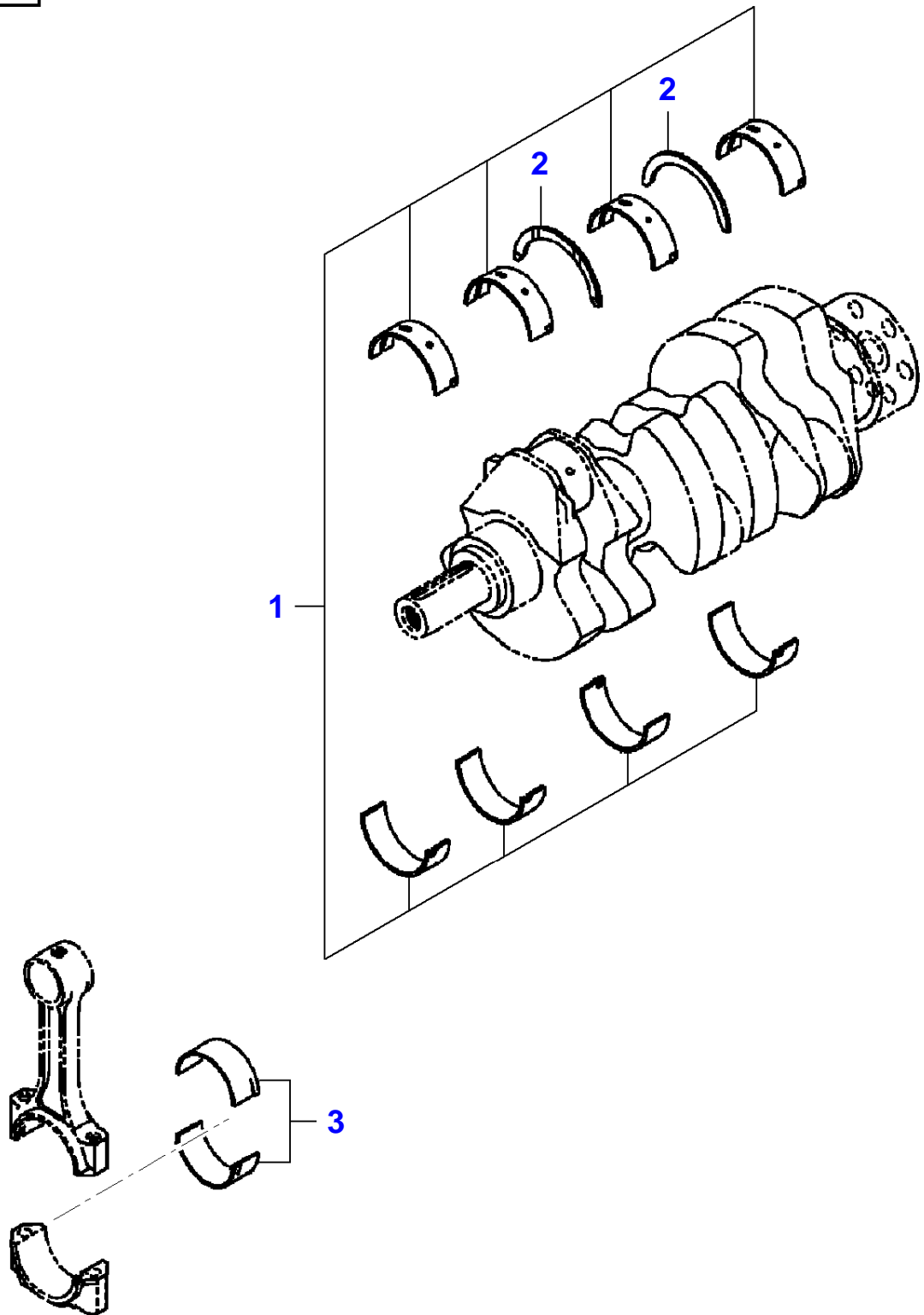


## Engine - Cylinder Block

Item	Part Number	Qty	Description	Comments
1	6242058M92	1	Kit,Cyl.Block	
2	3710537M1	8	Carriage Bolt	(1)
3	4265578M1	2	Cup	(1) Diameter 16 mm
4	3710130M2	2	Cup	(1) Diameter 28 mm
5	4265580M1	1	Cup	(1) Diameter 36 mm
6	3710542M1	3	Cup	(1) Diameter 50 mm
7	6254909M2	8	Plug	[A] (1)
8	6252769M1	1	Pin	(1)
9	3710160M1	4	Seal	
10	3710161M1	2	Seal	Diameter 7 mm
11	3710571M91	1	Kit, Bearing	
12	3710572M1	4	Bearing	(11)
13	3710573M1	4	Bearing	(11)
14	3710580M1	2	Bearing Thrust	(11)
15	3710544M2	1	Oil Seal	
16	3710137M2	2	Pin	
17	4266242M1	2	Pin	
18	3757960M1	2	Pin	
19	3706536M1	1	Stud	M8 X 40
20	3754115M1	1	Stud	
21	3704353M1	3	Stud	
22	3758287M1	2	Dowel	
23	3754123M1	1	Pipe,Water	
24	3710284M1	1	Connectors	
25	3756975M3	1	Cover	
26	3710163M1	1	Joint	
27	4267405M1	4	Carriage Bolt	
28	3710411M1	1	Pin	
29	6242060M2	1	Oil Dipstick	
30	6242061M91	1	Guide	
31	<b>3756982M1</b>	1	Plug	
32	3756940M1	1	O Ring	
33	6252487M91	1	Filler	
34	6252431M1	1	Gasket	

FOOTNOTE [A] MF 1532H - FOR TYPE ENGINE : E3CDWB26

I-IS06-002-B



**Buy Now**



Our support email:

[ebooklibonline@outlook.com](mailto:ebooklibonline@outlook.com)