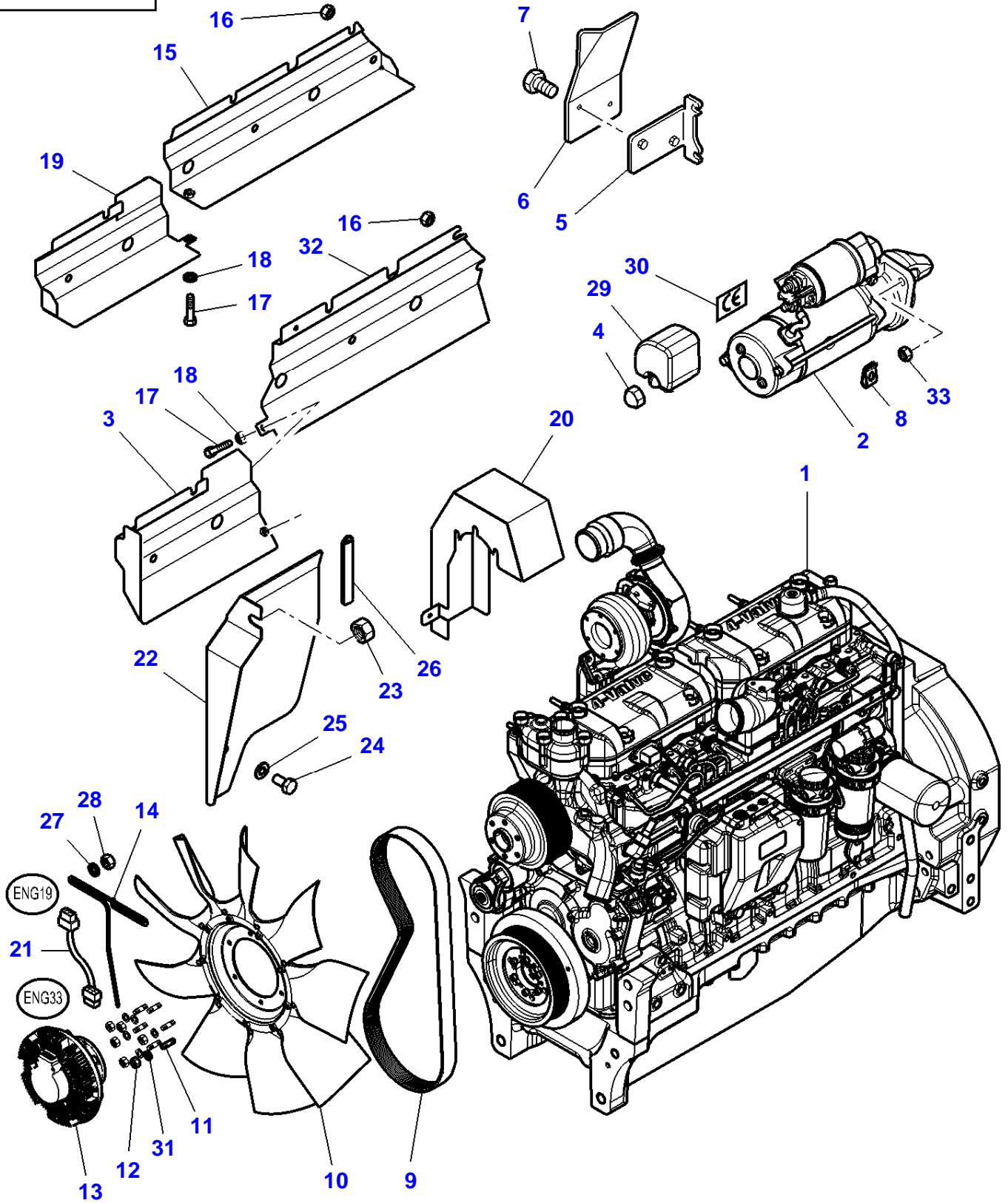


Page Title	Page Number
Engine & Equipment	010-0005
Alternator & Bracket	010-0010
Alternator & Bracket - With 175 Amp Alternator	010-0015
Starter	010-0020
Cylinder Block	010-0025
Timing Gear Housing	010-0030
Crankshaft, Pistons & Connecting Rods	010-0035
Valve Mechanism And Camshaft	010-0040
Cylinder Head	010-0045
Cylinder Head Cover	010-0050
Oil Sump	010-0055
Lubricating Oil Cooler And Filter	010-0060
Water Pump	010-0065
Injection System	010-0070
Low Pressure Fuel System	010-0075
Air Induction & Exhaust	010-0080
Turbocharger - Pipes	010-0085
Electronic Engine Management	010-0090
Engine Repair Kits - Piston- Cylinder Head With Valves	010-0095
Engine Gaskets Sets	010-0100
Heater Engine Block - 220 V	010-0105
Heater Engine Block - 110 V	010-0110
Cab Heating System - Engine Part	010-0115
Fuel Tank & Attachments	010-0120
Fuel Tank & Attachments - North America Only	010-0125
Fuel Tank & Attachments - North America Only	010-0130
Fuel Pipes - Up to Serial or Engine Number - U061044	010-0135
Fuel Pipes - From Serial or Engine Number - U061045	010-0140
Fuel Pipes - United States Only	010-0145
Fuel System - Up to Serial or Engine Number - V288055	010-0150
Fuel System - From Serial or Engine Number - V288056	010-0155
Batteries And Cables - Without Battery Cut-Off	010-0160
Batteries And Cables - With Battery Cut-Off	010-0165
Cooling System - Air Conditioned Installation	010-0170
Compressor	010-0175
Cooling System - Engine - Pivoting Chassis	010-0180
Cooling System - Engine - Pivoting Chassis	010-0185
Cooling System - Engine	010-0190
Cooling System - Engine	010-0195
Air Filter - Dry - Dual Element	010-0200
Air Filter - Dry - Dual Element	010-0205
Air Cooler	010-0210
Vertical Exhaust On The Side	010-0215
Throttle Controls	010-0220
Throttle Controls	010-0225

1-WA06-040-E



Item	Part Number	Qty	Description	Comments
1	V834861613	1	Engine	[C]
	V864861613X	1	Short Engine	[C,G]
	V834876133	1	Engine	66 CTA-4V
	V864876133X	1	Short Engine	[G]
2	3823621M95	1	Startermotor	[A,B]
3	4292573M1	1	Cowl	From Serial or Engine Number S281073
4	3786092M1	1	Nut	M10
5	3781101M2	1	Support	Up to Serial or Engine Number 10-JAN-2007
6	3781102M6	1	Cowl	Up to Serial or Engine Number 10-JAN-2007
7	339124X1	2	Hex Cap Screw	M8 X 16 Up to Serial or Engine Number 10-JAN-2007
8	3788193M1	1	Label	
9	4282010M1	1	Belt	Length 1445 MM
10	4281537M1	1	Fan	
11	3011339X1	6	Stud	Up to Serial or Engine Number U313017 M10 X 22
	1442072X1	6	Stud	From Serial or Engine Number U313018 M10 X 20
12	1441932X1	6	Nut Metric	Up to Serial or Engine Number 10-JAN-2007
	339402X1	6	Nut	M10 From Serial or Engine Number 11-JAN-2007 Up to Serial or Engine Number V279006
	3000121X1	6	Locknut	From Serial or Engine Number V279007 M10
13	4281538M1	1	Clutch	
14	4276866M4	1	Support	
15	4285723M3	1	Cowl	Up to Serial or Engine Number S281072
16	339402X1	6	Nut	M10
17	339228X1	1	Hex Cap Screw	
18	390972X1	1	Flat Washer	
19	4285755M1	1	Cowl	Up to Serial or Engine Number S281072
20	4284804M4	1	Cowl	
21	4272811M4	1	Harness	
22	4286796M3	1	Cowl	[E]
	4287002M3	1	Cowl	
	4286963M3	1	Cowl	[D]
23	3009695X1	1	Nut	M12
24	339124X1	2	Hex Cap Screw	M8 X 16
25	390972X1	2	Flat Washer	
26	3787366M1	1	Gasket	Length 450 MM
	3782183M1	1	Gasket	[D] Length 530 MM
27	391038X1	2	Flat Washer	
28	339030X1	2	Nut	M6
29	3786093M1	1	Protection.	
30	3788193M1	1	Label	
31	385362X1	6	Flat Washer	Diameter 10-20 X 3 From Serial or Engine Number 11-JAN-2007
32	4292572M2	1	Cowl	From Serial or Engine Number S281073
33	339402X1	3	Nut	M10

FOOTNOTE [A] NOT DETAILED

FOOTNOTE [B] THE APPROPRIATE SAFETY DECALS MUST BE ORDERED AND FITTED TO THIS PART

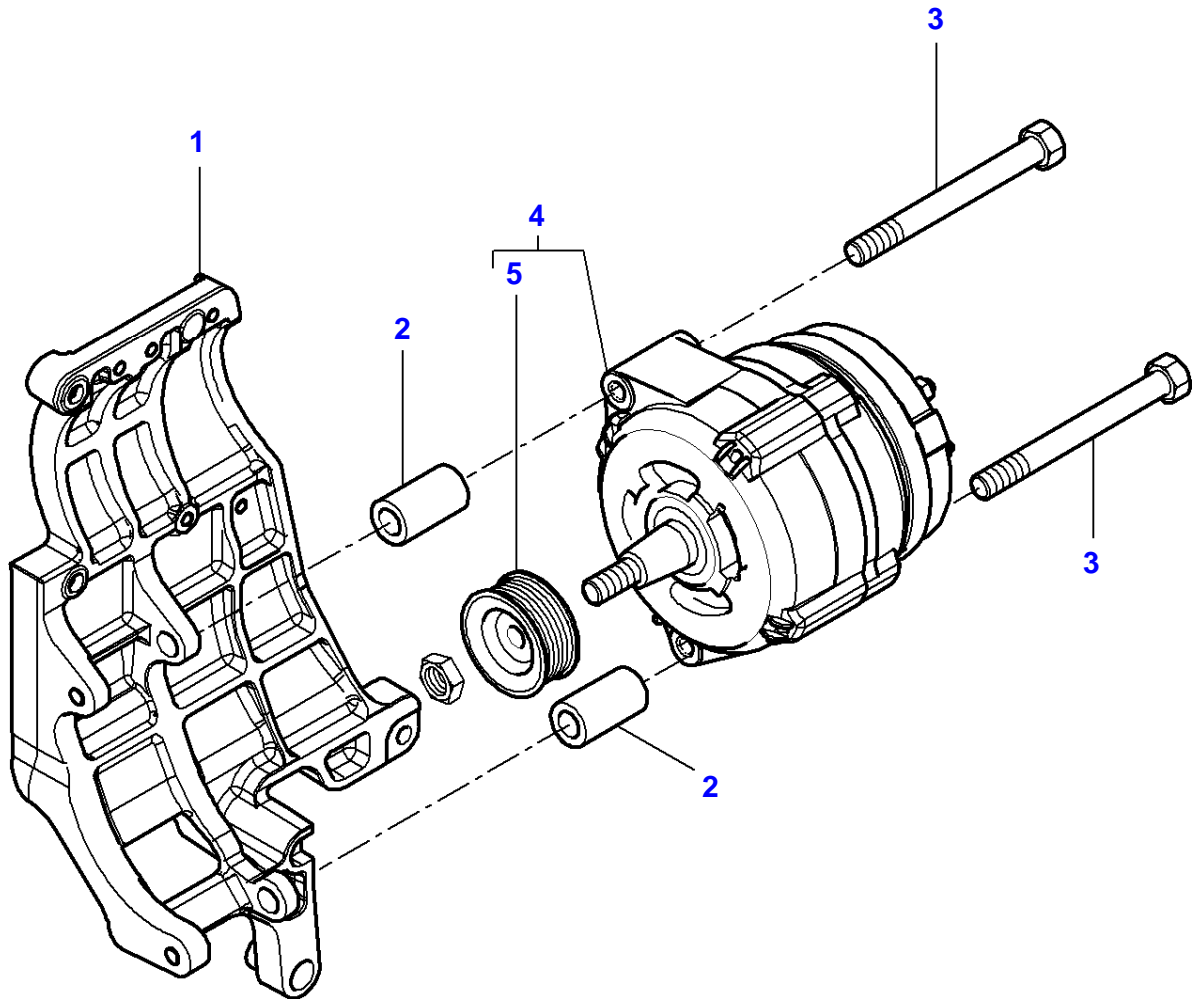
FOOTNOTE [C] JAPAN ONLY

FOOTNOTE [D] WITH FRONT LINKAGE & 2 HYDRAULIC COUPLING

FOOTNOTE [E] WITH FRONT LINKAGE & 4 HYDRAULIC COUPLING

FOOTNOTE [G] NOT ILLUSTRATED

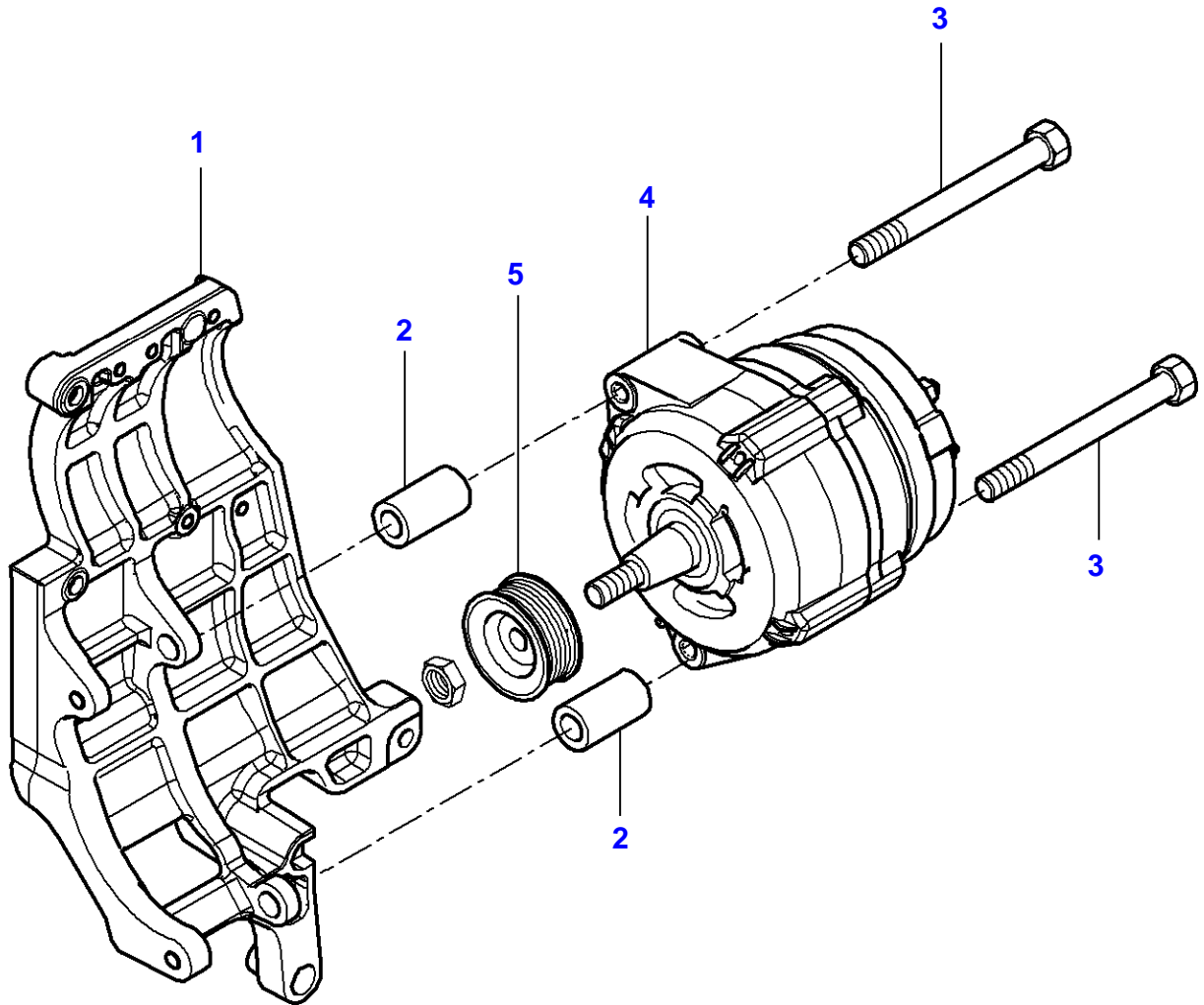
1-WA10-015-B



Alternator & Bracket

Item	Part Number	Qty	Description	Comments
1	4281018M4	1	Support	
2	4282164M1	2	Spacer	Diameter 10,3-15X18
3	3009503X1	2	Hex Cap Screw	M10 X 90
4	4281877M93	1	Alternator	120 AMP
	4281878M93	1	Alternator	150 AMP
5	3907769M91	1	Pulley	(4) 120 AMP
	3907768M91	1	Pulley	(4) 150 AMP

1-WA10-026-A



Massey Ferguson

7490 TRACTOR (DYNA VT DYNA STEP / TIER 3) - 3906111

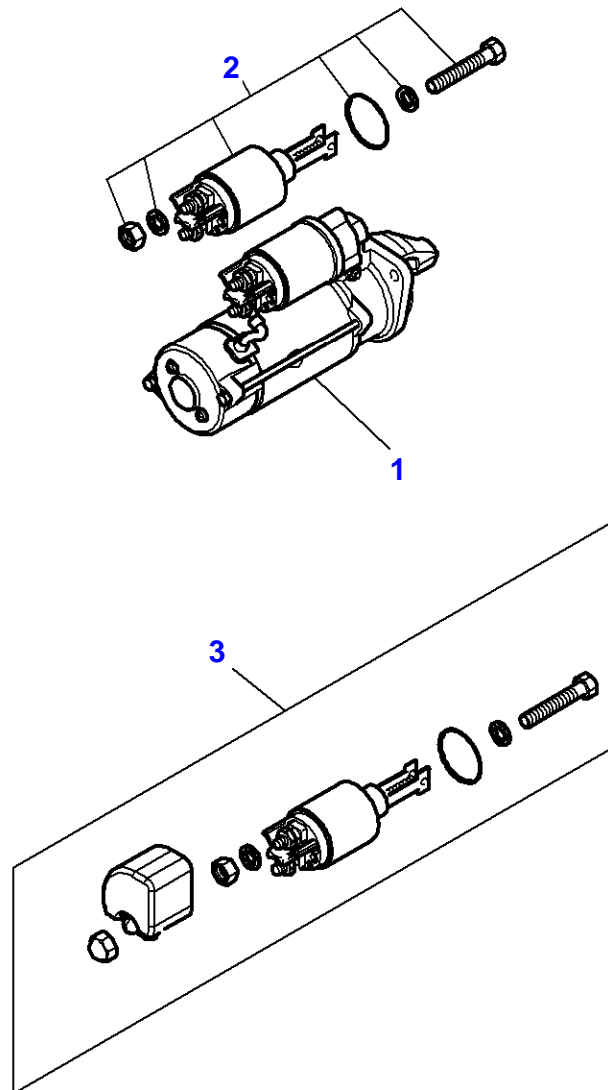
3906111

Alternator & Bracket - With 175 Amp Alternator

Page010-0015

Item	Part Number	Qty	Description	Comments
1	4281018M4	1	Support	
2	4282164M1	2	Spacer	Diameter 10,3-15X18
3	3009503X1	2	Hex Cap Screw	M10 X 90
4	4287015M2	1	Alternator	175 AMP
5	4287017M1	1	Pulley	

1-WC51-004-A



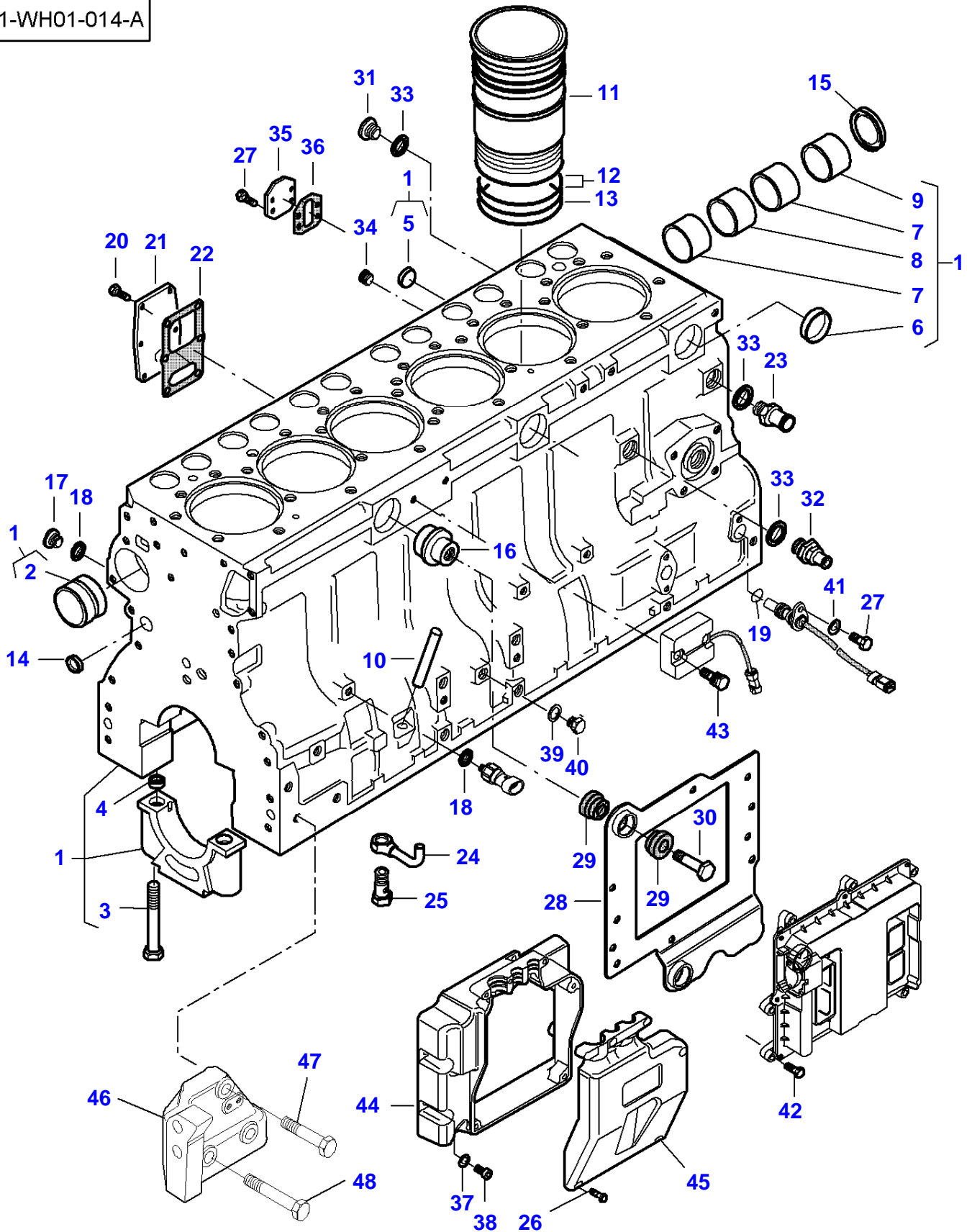
Starter

Item	Part Number	Qty	Description	Comments
1	3823621M95	1	Startermotor	[A]
2	3904366M91	1	Kit, Solenoid	Up to Serial or Engine Number T029032
3	3905503M92	1	Kit, Solenoid	From Serial or Engine Number T029033

FOOTNOTE [A] THE APPROPRIATE SAFETY DECALS MUST BE ORDERED AND FITTED TO THIS PART

MF 7490 TRACTOR (DYNA VT DYNA STEP / TIER 3) - 3906111
1-WH01-014-A

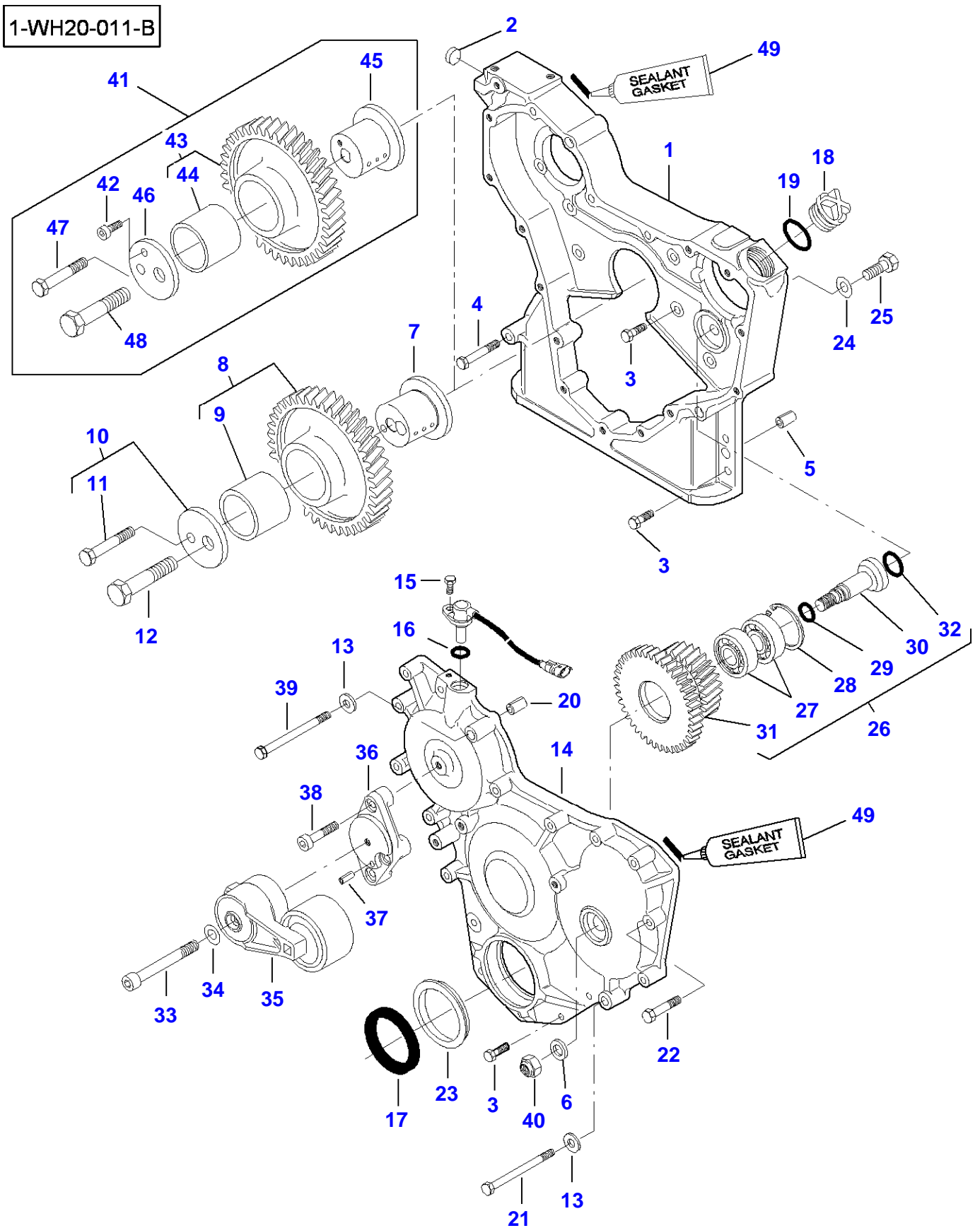
1-WH01-014-A



Cylinder Block

Item	Part Number	Qty	Description	Comments
1	V836866110	1	Cylinder-Block	Up to Serial or Engine Number T13069
	V837070103	1	Cylinder-Block	From Serial or Engine Number T13070
2	V836866069	1	Bearing Bush	(1)
	V836866036	X	Bearing Bush	Thickness + 0.40 MM
3	V529903180	14	Hex Cap Screw	(1)
4	V836214478	24	Guide Sleeve	(1)
5	V640016018	1	Plug	(1)
6	V640016040	2	Plug	(1)
7	V836852460	2	Bearing Bush	(1)
8	V836852459	1	Bearing Bush	(1)
9	V836852461	1	Bearing Bush	(1)
10	V836666910	1	Pipe	
11	V836666990	6	Liner	Up to Serial or Engine Number T13336
	V836673191	6	Liner	From Serial or Engine Number T13337
	V836647933	X	Liner	Thickness 9.08 MM
	V836647934	X	Liner	Thickness 9.13 MM
	V836647935	X	Liner	Thickness 9.23MM
12	V836647502	12	O Ring	(11)
13	V836647503	6	O Ring	(11)
14	V640016016	4	Plug	
15	V836852744	1	Plug	
16	V837069057	1	Plug	
17	V640325110	4	Plug	
18	V615871014	5	Sealing Washer	
19	VKH7070	1	O Ring	
20	V528801380	6	Hex Cap Screw	M8 X 20
21	V836847994	1	Flange	
22	V836322852	1	Gasket	
23	V836119837	1	Union	
24	V837070021	6	Pipe	
25	V836338601	6	Pressure Valve	
26	V590253388	6	Screw	5.1 X 14
27	V528801362	5	Hex Cap Screw	M8 X 16
28	V837070147	1	Retaining Plate	
29	V837074327	6	Rubber Bush	
30	V837069056	3	Screw	
31	V640325018	1	Plug	
32	V836664377	1	Cock	
33	V615881824	3	Sealing Washer	
34	V640025010	1	Plug	
35	V836866957	1	Cover	
36	V836866958	1	Gasket	
37	V500150642	5	Washer	
38	V581804182	5	Hex Socket Screw	M6 X 16
39	V615881216	1	Sealing Washer	
40	V640045112	1	Plug	
41	V500050842	1	Washer	
42	V529801102	8	Hex Cap Screw	M6 X 25
43	V837070197	2	Screw	
44	V837070285	1	Cover	
45	V837070286	1	Cover	
46	V836867635	1	Engine Carrier	Left Hand
	V836867636	1	Engine Carrier	Right Hand
47	V529902680	4	Hex Cap Screw	M14 X 65
48	V529902720	4	Hex Cap Screw	M14 X 85

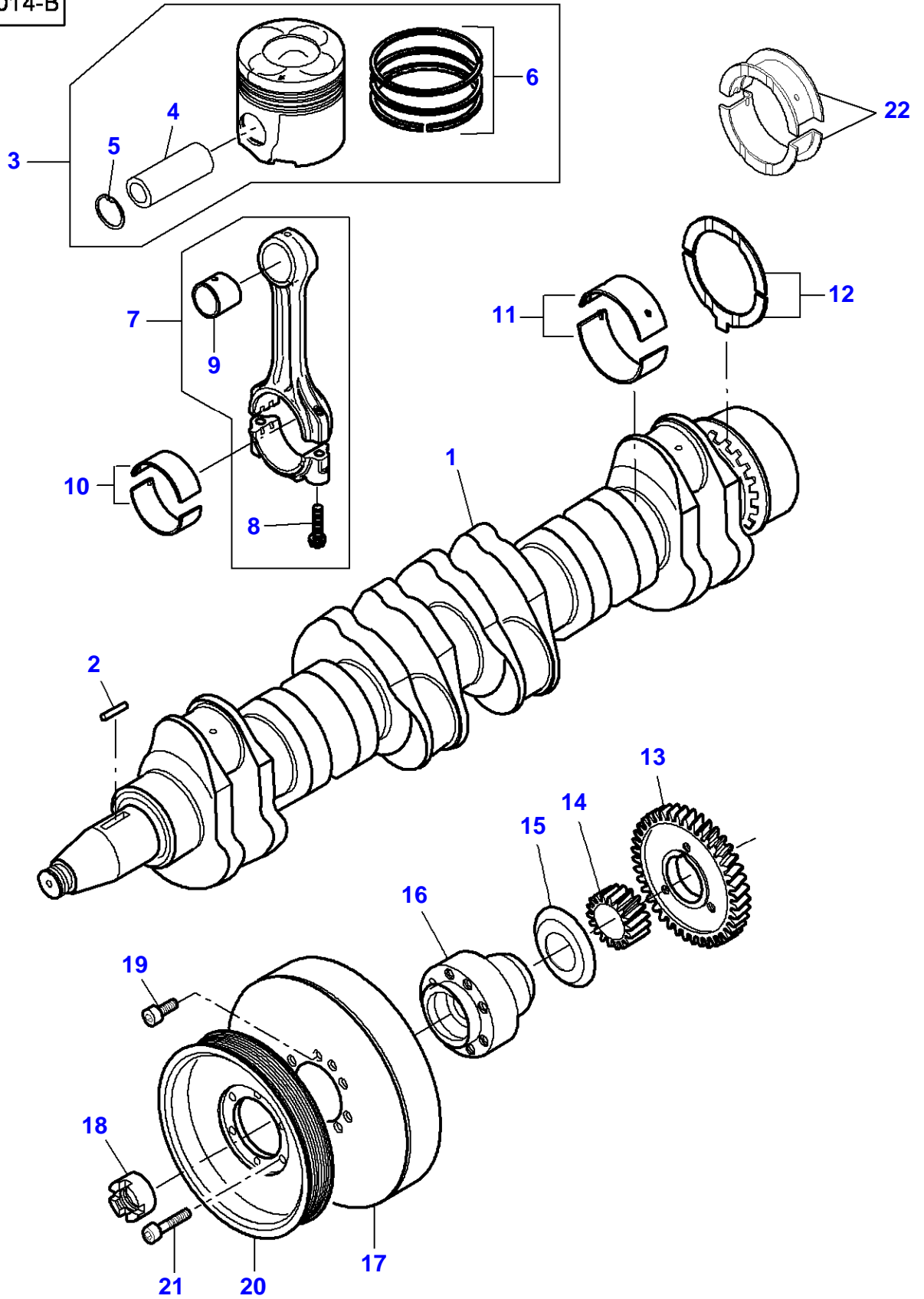
MF 7490 TRACTOR (DYNA VT DYNA STEP / TIER 3) - 3906111
1-WH20-011-B



Timing Gear Housing

Item	Part Number	Qty	Description	Comments
1	V837070025	1	Timing Gear Case	
2	V640016016	1	Plug	
3	V528801400	16	Hex Cap Screw	M8 X 25
4	V529801470	1	Hex Cap Screw	M8 X 60
5	V598359850	2	Pin	
6	V837069070	1	Washer	
7	V836766127	1	Shaft	
8	V837070034	1	Gear	
9	V836139039	1	Bush	(8)
10	V836129845	1	Flange	
11	V529801910	1	Hex Cap Screw	(10) M10 X 80
12	V529902720	1	Hex Cap Screw	M14 X 85
13	V836120989	2	Washer	
14	V837070026	1	Timinggear Cover	
15	V528801062	1	Hex Cap Screw	M6 X 16
16	V614601718	1	O Ring	
17	V836673387	1	Oil Seal	
18	V836017927	1	Plug	
19	V614603540	1	O Ring	
20	V598359860	2	Pin	
21	V529801540	4	Hex Cap Screw	M8 X 95
22	V529801440	9	Hex Cap Screw	M8 X 45
23	V836129782	1	Cover	
	V835328899	X	Chock	Thickness 3,00 MM
24	V500951200	1	Spring Washer	
25	V528902200	1	Hex Cap Screw	M12 X 25 H Up to Serial or Engine Number
	V581705420	1	Hex Socket Screw	M12 X 25 CHC From Serial or Engine Number
26	V837070095	1	Double Gear	
27	V610073040	2	Ball Bearing	(26)
28	V617330052	1	Circlip	(26)
29	V614601324	1	O Ring	(26)
30	V837069069	1	Shaft	(26)
31	V837070111	1	Double Gear	(26)
32	V614601924	1	O Ring	(26)
33	V581705130	1	Hex Socket Screw	M10 X 80
34	V500951000	1	Spring Washer	
35	V836667411	1	Tensioner	Up to Serial or Engine Number V2263
	V837073101	1	Tensioner	From Serial or Engine Number V2264
36	V836867681	1	Retaining Plate	Up to Serial or Engine Number V2263
	V836873333	1	Retaining Plate	From Serial or Engine Number V2264
37	V595954600	1	Pin	
38	V581804650	3	Hex Socket Screw	M8 X 40
39	V529801550	1	Hex Cap Screw	M8 X 100
40	V504601400	1	Nut	M14
41	V837073330	1	Idler Gear	From Serial or Engine Number T13337
42	V581804602	1	Hex Socket Screw	(41) From Serial or Engine Number T13337 M8 X 20
43	V837070034	1	Gear	(41)
44	V836139039	1	Bush	(43)
45	V836766127	1	Shaft	(41)
46	V836129845	1	Flange	(41)
47	V529801910	1	Hex Cap Screw	(41) M10 X 80
48	V529902720	1	Hex Cap Screw	(41) M14 X 85
49	V836662735	1	Sealing Compound	

1-WH02-014-B



Buy Now



Our support email:

ebooklibonline@outlook.com