

Massey Ferguson

MF 8947 / 8947(CD) TELESCOPIC HANDLERS (TIER 3) - |---> A8HH 11001 --->| A8HH

3906241

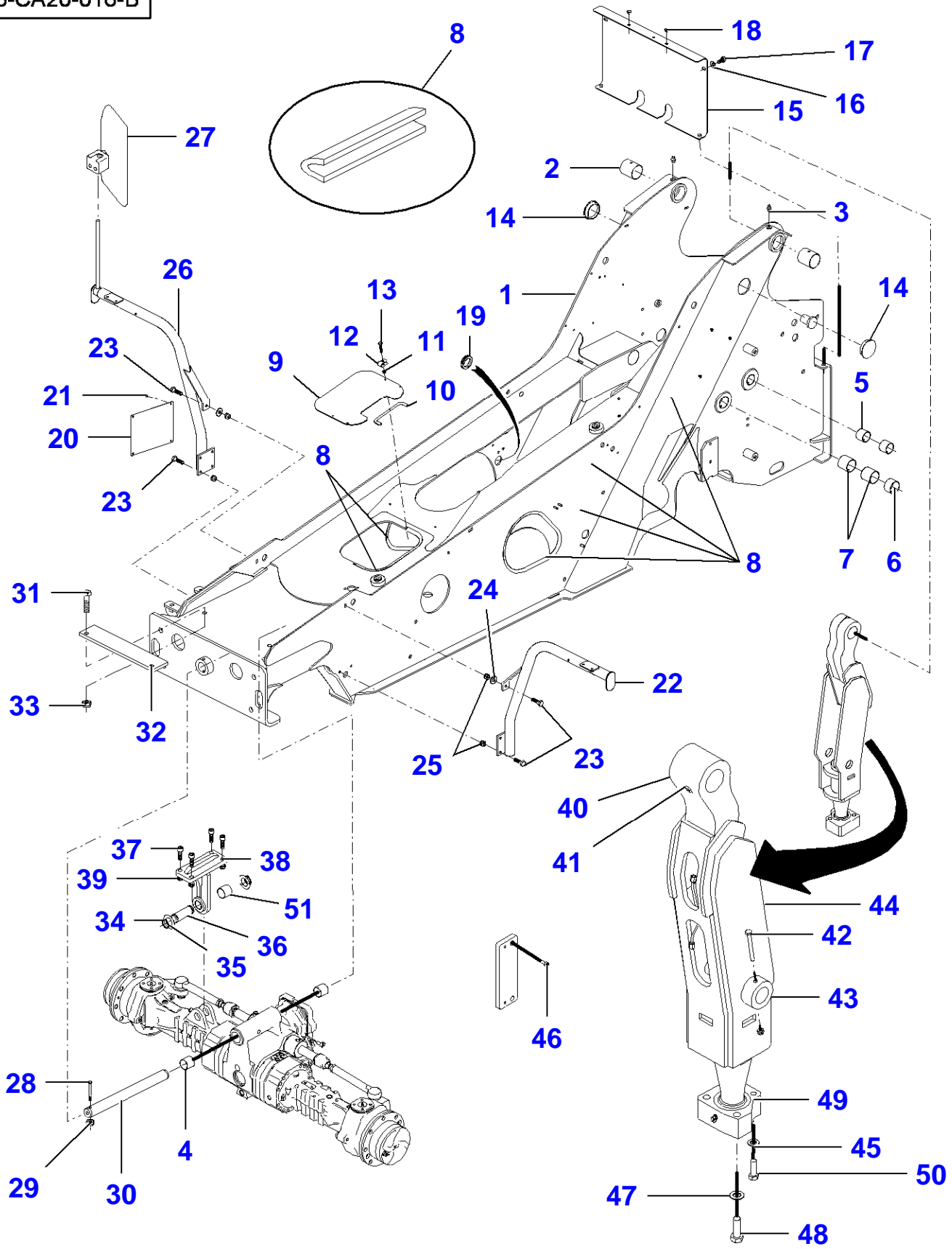
12299 / |---> A8HJ 11001 --->| A8HJ 12299 -

Main Frame

Page010-0000

Page Title	Page Number
Frame	010-0005
Frame	010-0010
Fuel System - Fuel Tank & Attachments	010-0015
Engine Cover	010-0020
Engine Support	010-0025
Cab	010-0030
Cab - Cab Glass	010-0035
Cab	010-0040
Seat	010-0045
Seat - Suspension	010-0050
Tractor Cab - Heating - From A8HH11001-12183 MF8947 & A8HJ11001-12025 MF 8947 CD	010-0055
Tractor Cab - Heating - From A8HH12184-12999 MF 8947 & A8HJ12026 -12999 MF8947 CD	010-0060
Tractor Cab - Heating - From A8HH11001-12183 MF8947 & A8HJ11001-12025 MF 8947 CD	010-0065
Tractor Cab - Heating - From A8HH12184-12999 MF 8947 & A8HJ12026 -12999 MF8947 CD	010-0070
Cab - Pedal	010-0075
Steering - Wheel & Column	010-0080
Cab - Instrument Panel Cladding	010-0085
Instrument Panel - Switch	010-0090
Tractor Cab - Door	010-0095
Tractor Cab - Rear Glass	010-0100
Tractor Cab - Windscreen Wiper	010-0105
Parking Brake	010-0110
Articulating Arm	010-0115
Articulating Arm	010-0120
Latching - Manual	010-0125

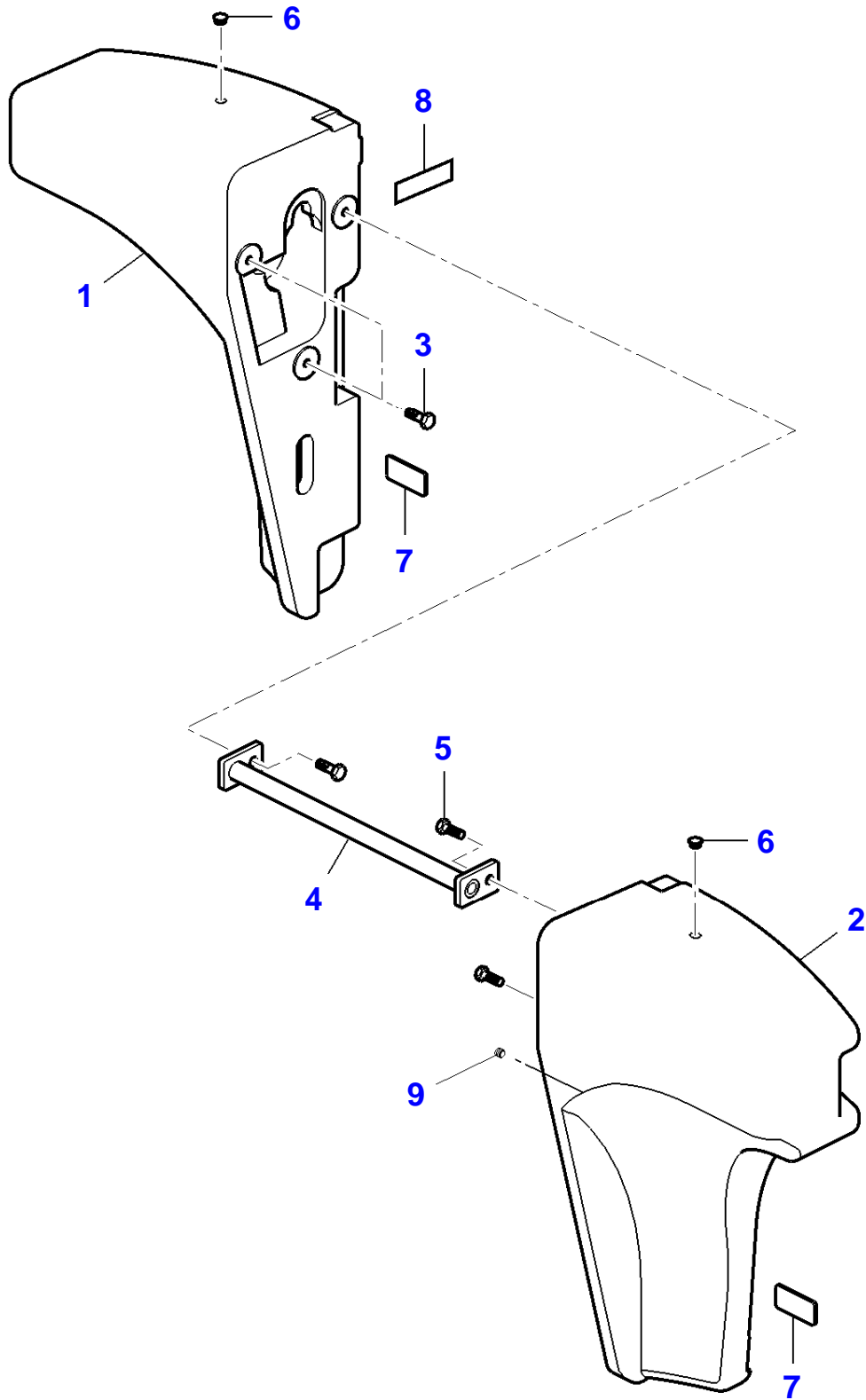
6-CA20-016-B



## Frame

Item	Part Number	Qty	Description	Comments
1	4238235M1	1	Chassis	
2	4232391M1	2	Bush	
3	<b>4232042M1</b>	2	Grease Fitting	
4	<b>4236325M1</b>	2	Bush	
5	<b>4236482M1</b>	2	Bush	
6	4236317M1	1	Bush	
7	<b>4236325M1</b>	2	Bush	
8	4233064M1	3	Seal	Length 30m
9	4232674M1	1	Plate	
10	4232677M1	1	Seal	
11	4232595M1	2	Lock Washer	
12	4232675M1	2	Nut	
13	4232594M1	2	Hex Cap Screw	
14	4236003M1	2	Plug	
15	4236522M1	1	Bonnet	
16	4232038M1	2	Flat Washer	
17	4232027M1	2	Hex Cap Screw	
18	4233255M1	2	Cap	
19	4232828M1	2	Grommet	
20		1	Plate	
21	4238037M1	4	Pin	
22	4237684M1	1	Support	
23	4232030M1	6	Hex Cap Screw	
24	4233159M1	2	Flat Washer	
25	4232078M1	6	Nut	
26	4237683M1	1	Support	
27	<b>4233263M1</b>	1	Mirror	Repairs and replaces 4238286m1
28	4232191M1	1	Hex Cap Screw	
29	4232078M1	1	Nut	
30	4236098M1	1	Shaft	
31	3971364M1	2	Screw	Repairs and replaces 4232031M1
32	4236413M1	1	Stop	
33	4232078M1	2	Nut	
34	4236559M1	2	Circlip	
35	4236538M1	2	Washer	
36	4236526M1	1	Clevis Pin	
37	4236047M1	4	Screw	
38	4237737M1	1	Rod	
39	4232081M1	4	Nut	
40	<b>4232042M1</b>	4	Grease Fitting	
41	4238181M1	2	Helmet	
42	4232191M1	1	Hex Cap Screw	
43	4238363M1	1	Axle	
44	4238365M1	1	Brace	
45	4238366M1	2	Nut	
	4233270M1	2	Flat Washer	
46	4238368M1	1	Bearing	
47	4232582M1	2	Flat Washer	
48	4238370M1	1	Screw	
49	4238372M1	1	Bush	
50	4236645M1	2	Hex Cap Screw	
51	4236114M1	1	Bush	

6-CA20-010-D



Massey Ferguson

MF 8947 / 8947(CD) TELESCOPIC HANDLERS (TIER 3) - |---> A8HH 11001 --->| A8HH  
12299 / |---> A8HJ 11001 --->| A8HJ 12299 -

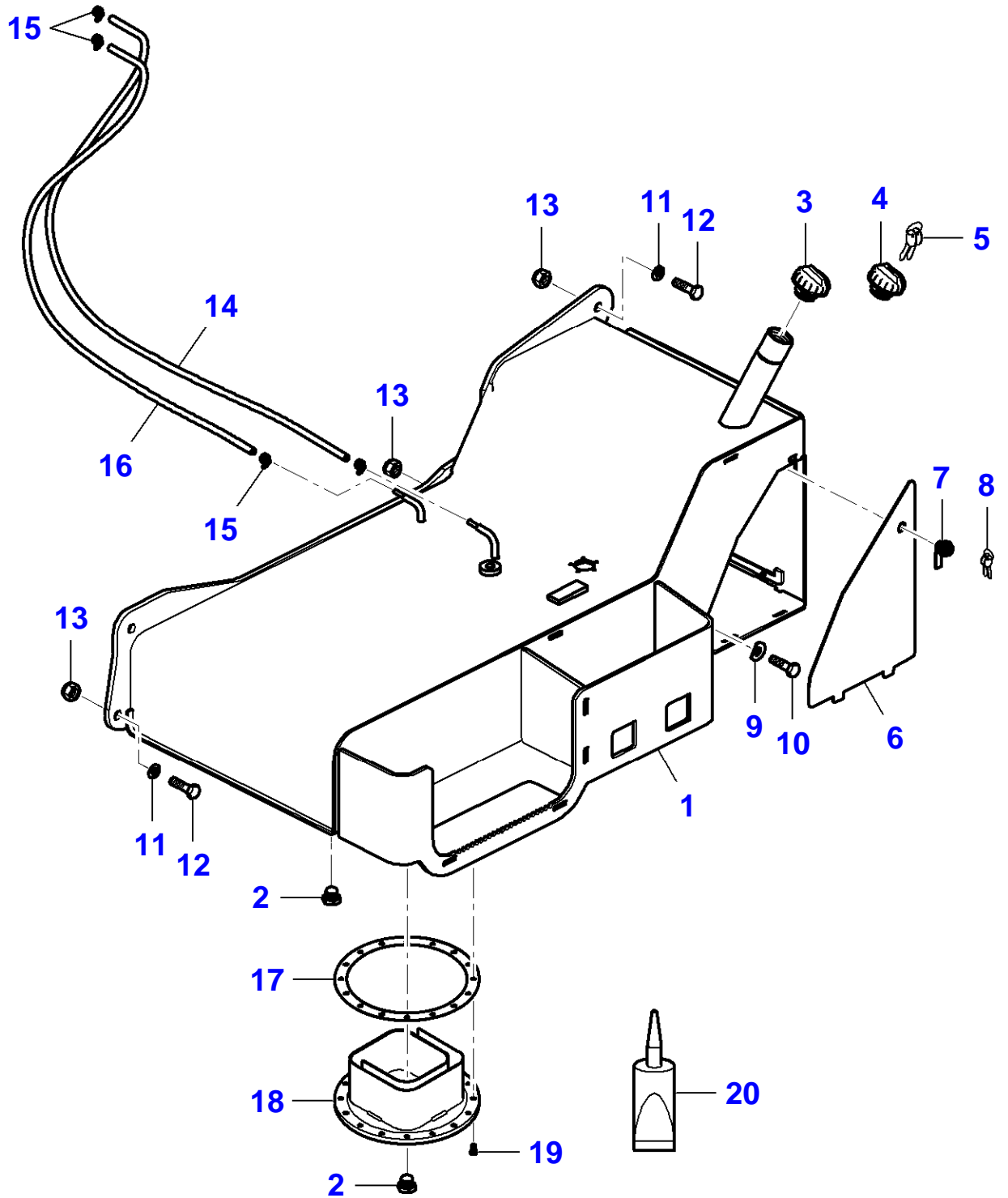
3906241

Frame

Page010-0010

Item	Part Number	Qty	Description	Comments
1	4234704M1	1	Counterweight	Right Hand
2	4234705M1	1	Counterweight	Left Hand
3	4232730M1	4	Hex Cap Screw	
4	4236448M1	1	Tube	
5	4233024M1	2	Hex Cap Screw	
6	4235468M1	4	Plug	
7	<b>4232777M1</b>	2	Reflector	
8	4235987M1	1	Band	
9	3972678M1	4	Plug	

6-IS35-007-B



## Fuel System - Fuel Tank &amp; Attachments

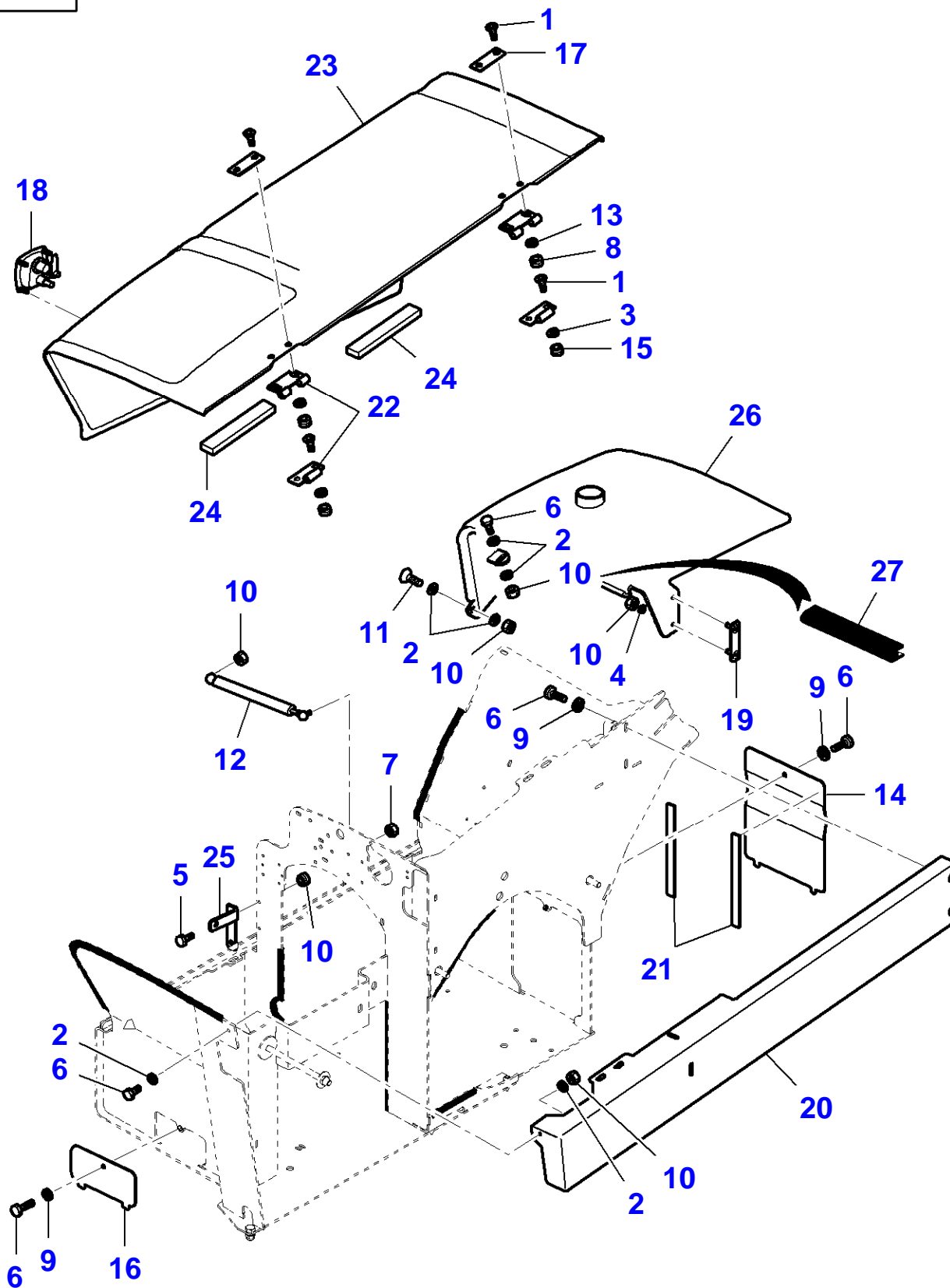
Page010-0015

Item	Part Number	Qty	Description	Comments
1	4237233M1	1	Fuel Tank	[A]
	4237232M1	1	Fuel Tank	[B]
2	4232095M1	2	Plug	
3	<b>4235991M1</b>	1	Tank Cap	
4	<b>4236620M1</b>	1	Locking Cap	
5	<b>4236621M1</b>	1	Cap Keys Set	(4)
6	4236622M1	1	Plate	
7	4235888M1	1	Lock	
8	<b>4240598M1</b>	1	Lock Key	Repairs and replaces 4232775M1
9	4237285M1	1	Washer	
10	4236624M1	1	Hex Cap Screw	
11	4232036M1	3	Flat Washer	
12	4233094M1	3	Hex Cap Screw	
13	4232081M1	4	Nut	
14	4236625M1	1	Fuel Hose	
15	4240165M1	4	Clamp	Repairs and replaces 4232166M1
16	4236625M1	1	Fuel Hose	
17	4237200M1	1	Seal	
18	4237189M1	1	Trap	
19	4237209M1	16	Hex Socket Screw	
20	4237212M1	1	Super Glue	

FOOTNOTE [A] WITH HATCH

FOOTNOTE [B] WITHOUT HATCH

6-2304-004-B





**Massey Ferguson****MF 8947 / 8947(CD) TELESCOPIC HANDLERS (TIER 3) - |---> A8HH 11001 --->| A8HH  
12299 / |---> A8HJ 11001 --->| A8HJ 12299 -**

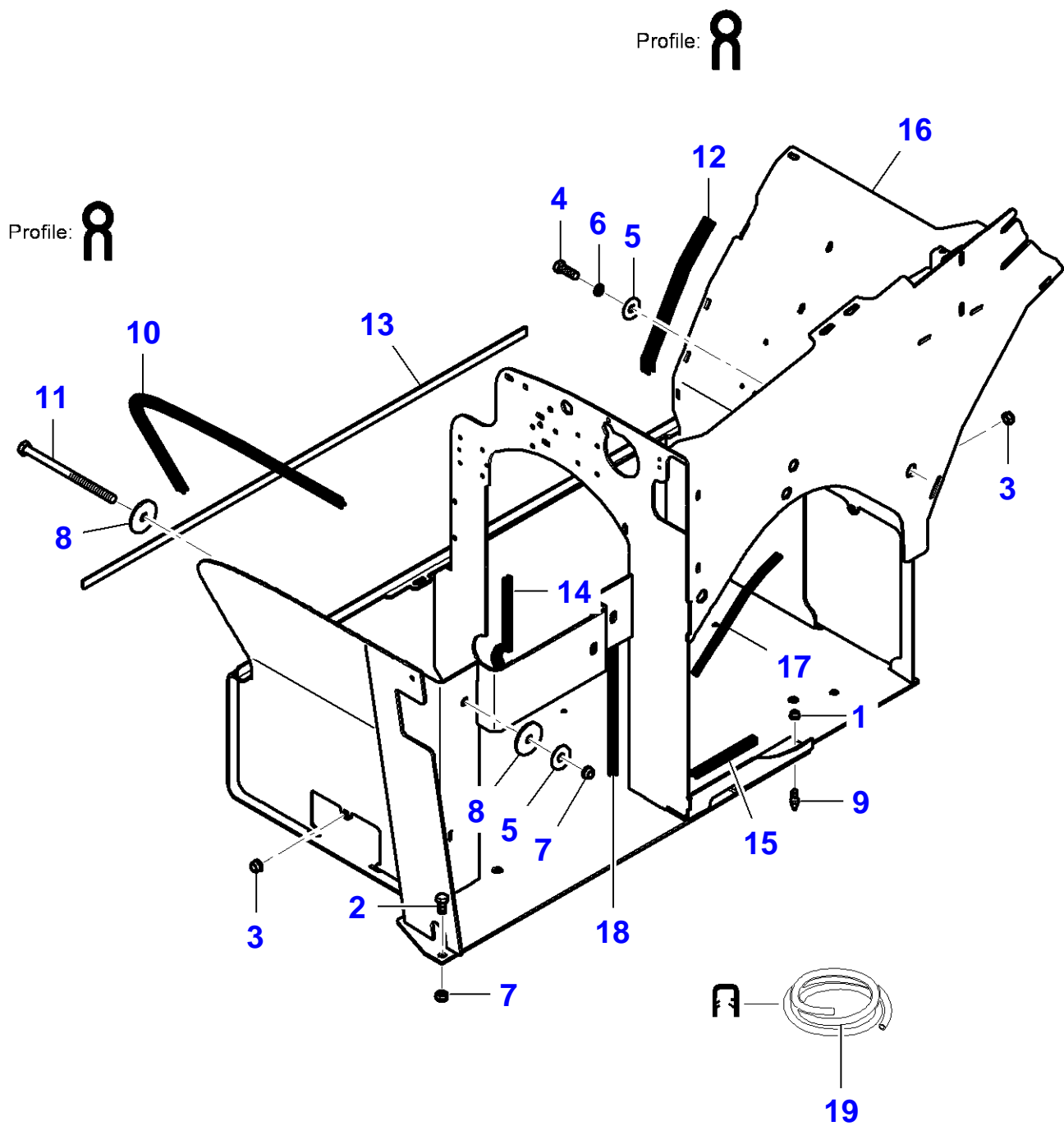
3906241

**Engine Cover**

Page010-0020

Item	Part Number	Qty	Description	Comments
1	4236572M1	8	Screw	
2	4232983M1	6	Flat Washer	
3	4232581M1	4	Flat Washer	
4	4236041M1	2	Flat Washer	
5	4238221M1	2	Hex Cap Screw	Repairs and replaces 4232023M1
6	4240637M1	6	Screw	Repairs and replaces 4232024M1
7	4235434M1	1	Nut	
8	4232968M1	4	Nut	
9	4232764M1	4	Tooth Washer	
10	4235434M1	7	Nut	
11	4236324M1	1	Screw	
12	4233258M1	1	Ram	
13	4236300M1	4	Flat Washer	
14	4235438M1	1	Plate	
15	4232078M1	4	Nut	
16	4236523M1	1	Shield	
17	4236515M1	2	Plate	
18	4236015M1	1	Lock	
19	4237129M1	1	Plate	
20	4236109M1	1	Plate	
21	4237760M1	2	Insulator	
22	4236575M1	2	Hinge	
23	4237967M1	1	Bonnet	Repairs and replaces 4238242M1
24	4237156M1	2	Seal	
25	4237312M1	1	Support	
26	4237966M1	1	Bonnet	Repairs and replaces 4238241M1
27	4238053M1	1	Seal	Repairs and replaces 4237155M1

6-8969-004-C



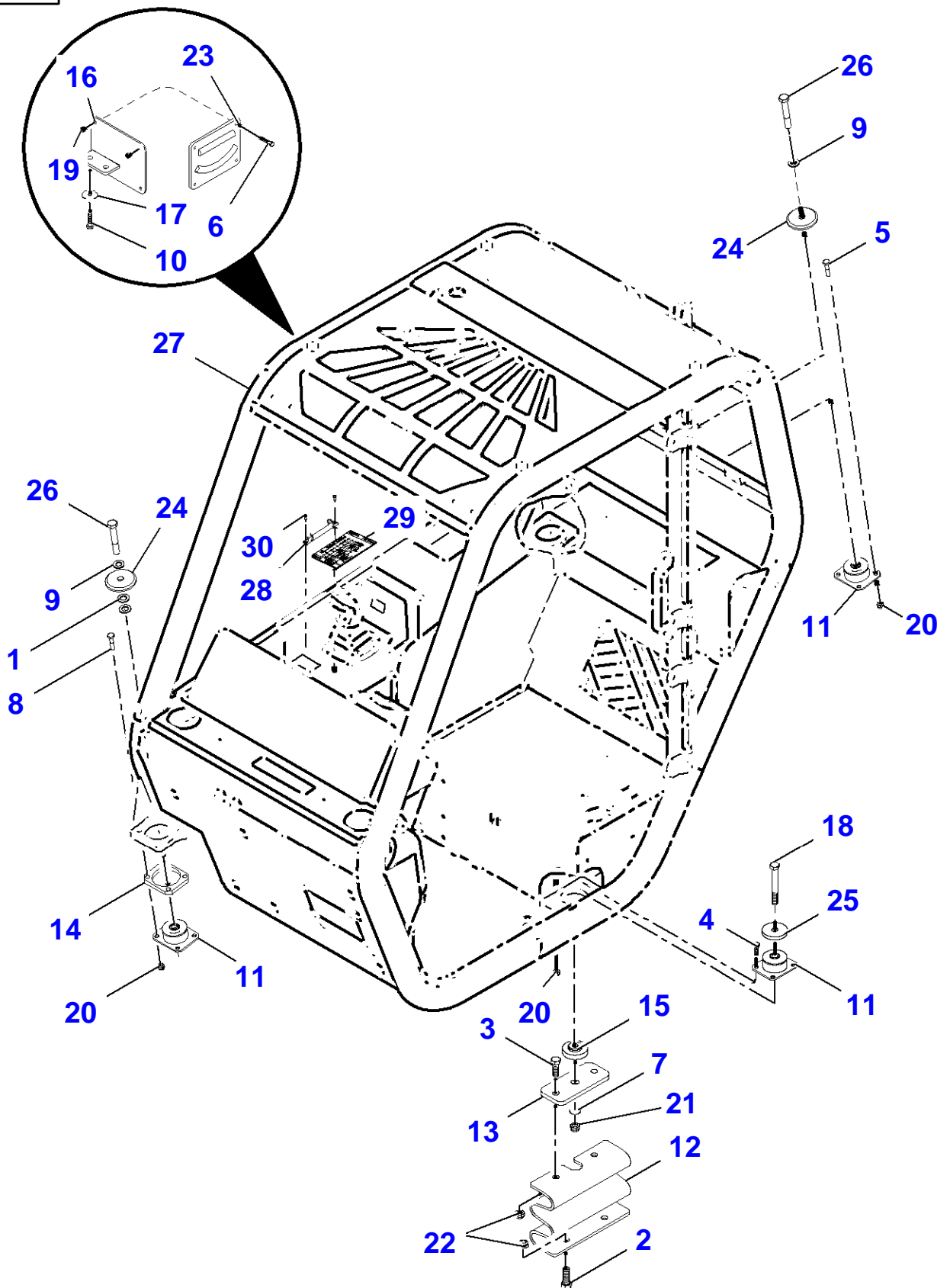
## Engine Support

Item	Part Number	Qty	Description	Comments
1	4233694M1	2	Nut	
2	3971916M1	1	Bolt	4233539M1
3	4233620M1	2	Nut	
4	4236645M1	2	Hex Cap Screw	
5	4236646M1	3	Flat Washer	
6	4234043M1	2	Flat Washer	
7	4232081M1	2	Nut	
8	4232108M1	2	Washer	
9	4236640M1	2	Pin	
10		X	Seal	[A] Length 1020 mm(40.16") Not serviced,order item 21
11	4236643M1	1	Hex Cap Screw	
12		X	Seal	[A] Length 340 mm-(13.39") Not serviced,order item 21
13		X	Seal	[A] Length 1271 mm(50.04") Not serviced,order item 20
14		X	Seal	[A] Length 14.76"(375 mm) Not serviced,order item 19
15		X	Seal	[A] Length 375mm(14.76") Not serviced,order item 19
16	3972683M1	1	Bonnet	Repairs and replaces 4237466M1
17		X	Seal	[A] Length 305 mm (12.01") Not serviced,order item 19
18		X	Seal	[A] Not serviced,order item 19 Length 14.76"(375mm)
19	4233064M1	X	Seal	[A]
20	4234627M1	X	Seal	[A,B]
21	4233992M1	X	Seal Section	[A,B]

FOOTNOTE [A] ORDER BY THE METER

FOOTNOTE [B] NOT ILLUSTRATED

6-B014-046-A

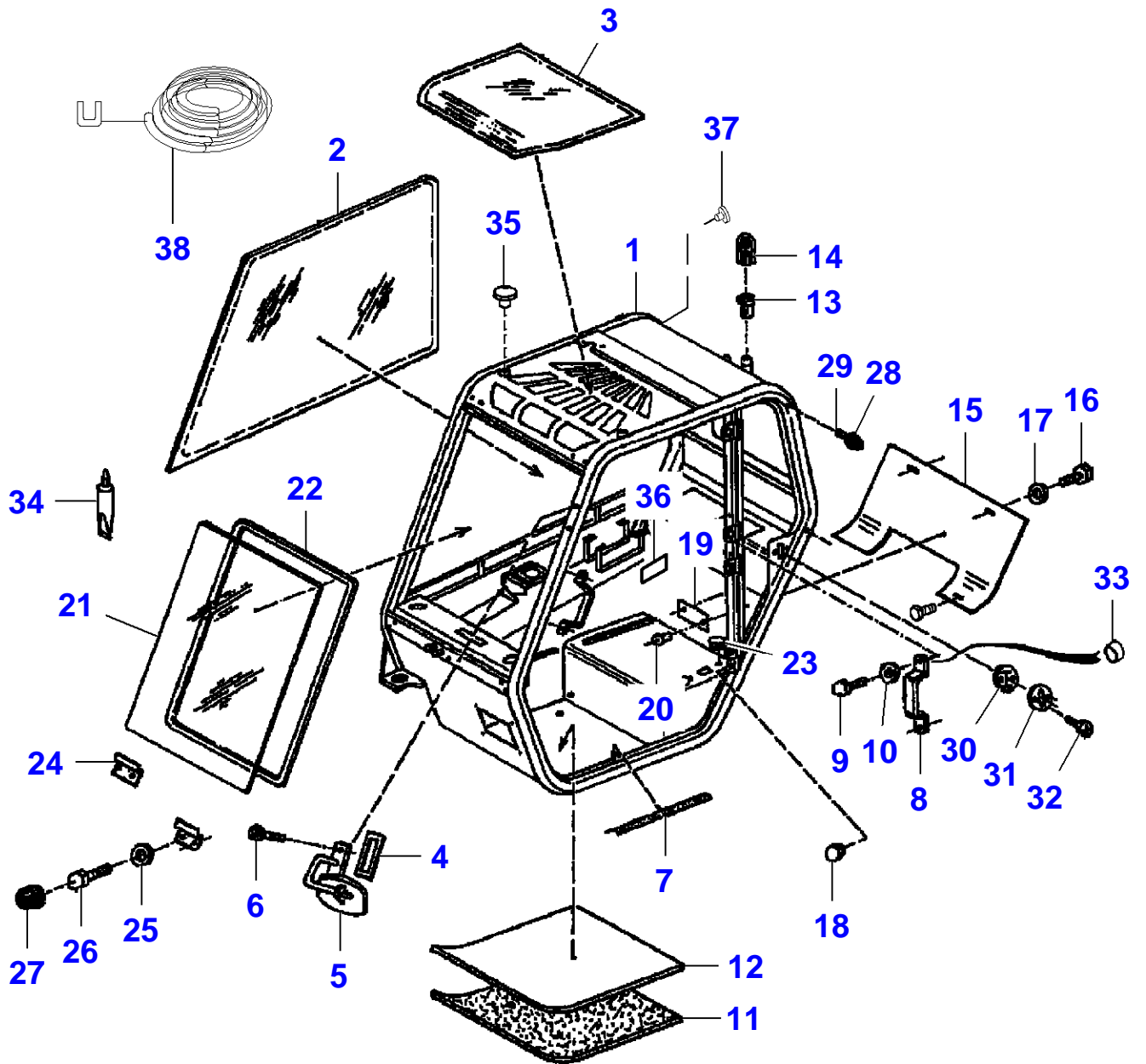


## Cab

Item	Part Number	Qty	Description	Comments
1	4233270M1	2	Flat Washer	
2	4232730M1	2	Hex Cap Screw	
3	4233024M1	2	Hex Cap Screw	
4	4232029M1	4	Hex Cap Screw	
5	4232030M1	4	Hex Cap Screw	
6	4232036M1	1	Flat Washer	
7	4233271M1	4	Hex Cap Screw	
8	4232128M1	2	Flat Washer	
9	4233948M1	3	Vibration Mount	
10	4232525M1	1	Plate	
11	4232527M1	1	Support	
12	4232948M1	1	Chock	
13	4232943M1	1	Spacer	
14	4238096M1	2	Hex Cap Screw	
15	4232949M1	1	Hex Cap Screw	
16	4232078M1	12	Nut	
17	4232080M1	1	Nut	
18	4232081M1	4	Nut	
19	4237961M1	2	Washer	Repairs and replaces 4235417m1
20	4237961M1	1	Washer	Repairs and replaces 4232954m1
21	4237304M1	3	Hex Cap Screw	[A]
22	4236547M1	2	Hex Cap Screw	[A]
23	4237244M1	1	Bracket	[A]
24	4234819M1	2	Flat Washer	[A]
25	4232768M1	3	Nut	[A]
26	4237202M1	1	Inclinometer	[A]
27		1	Cab	
28	4232526M1	1	Support	
29		1	Card	see accessories & options tires
30	4232697M1	2	Rivet	

FOOTNOTE [A] WITH LATERAL TRIM CORRECTION

6-B014-030-E



**Buy Now**



Our support email:

[ebooklibonline@outlook.com](mailto:ebooklibonline@outlook.com)