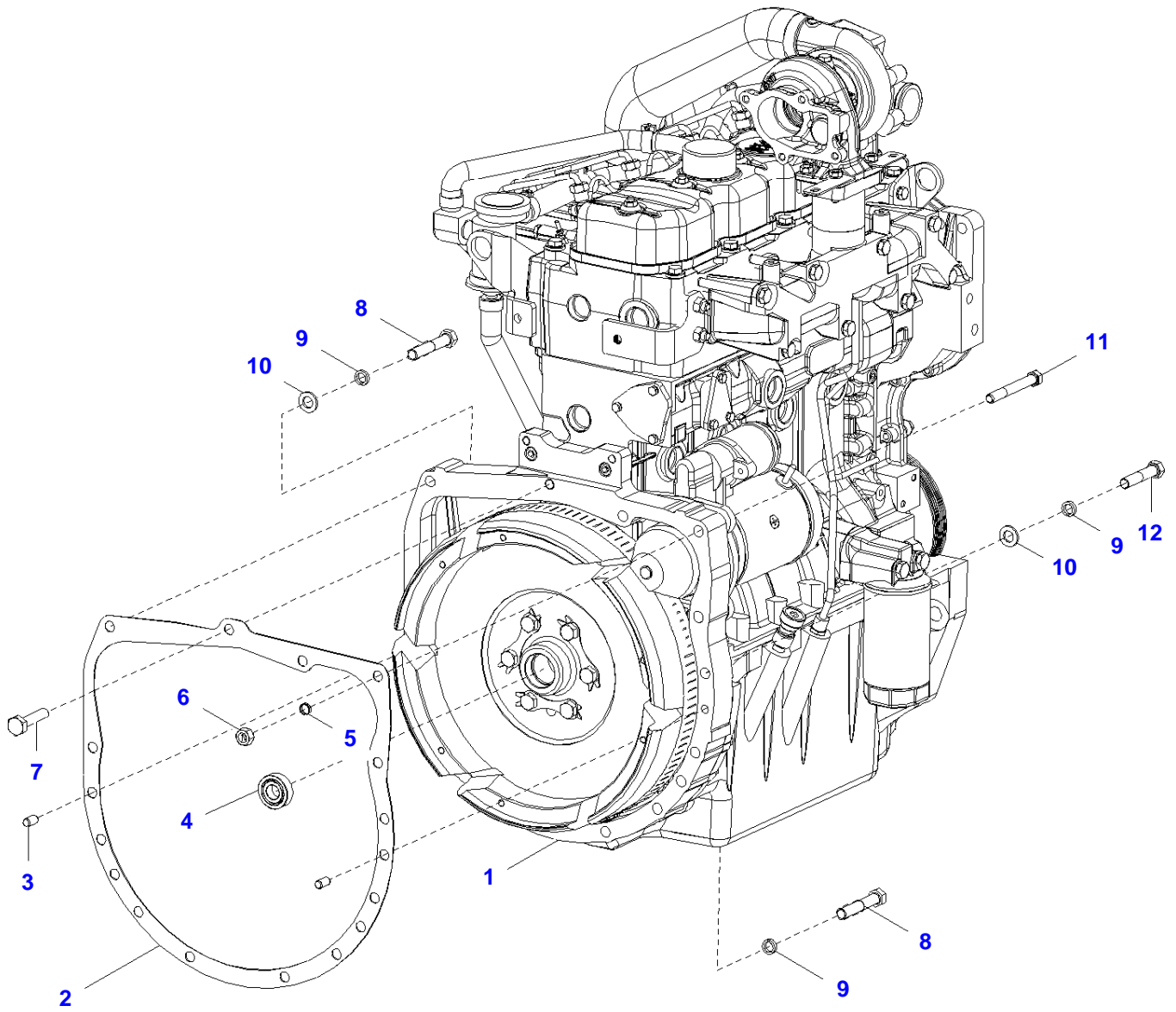


Page Number	Page Title	Page Reference
01-000-TOC	ENGINE, FUEL AND EXHAUST SYSTEM	01-000-TOC
02-000-TOC	FRAME AND SUSPENSION	02-000-TOC
03-000-TOC	STEERING SYSTEM	03-000-TOC
04-000-TOC	DRIVE TRAIN SYSTEM	04-000-TOC
05-000-TOC	ELECTRICAL SYSTEM	05-000-TOC
06-000-TOC	PLATFORM	06-000-TOC
07-000-TOC	CHASSIS	07-000-TOC
08-000-TOC	WHEELS	08-000-TOC
09-000-TOC	LINKAGE	09-000-TOC
10-000-TOC	GENERAL INFORMATION	10-000-TOC

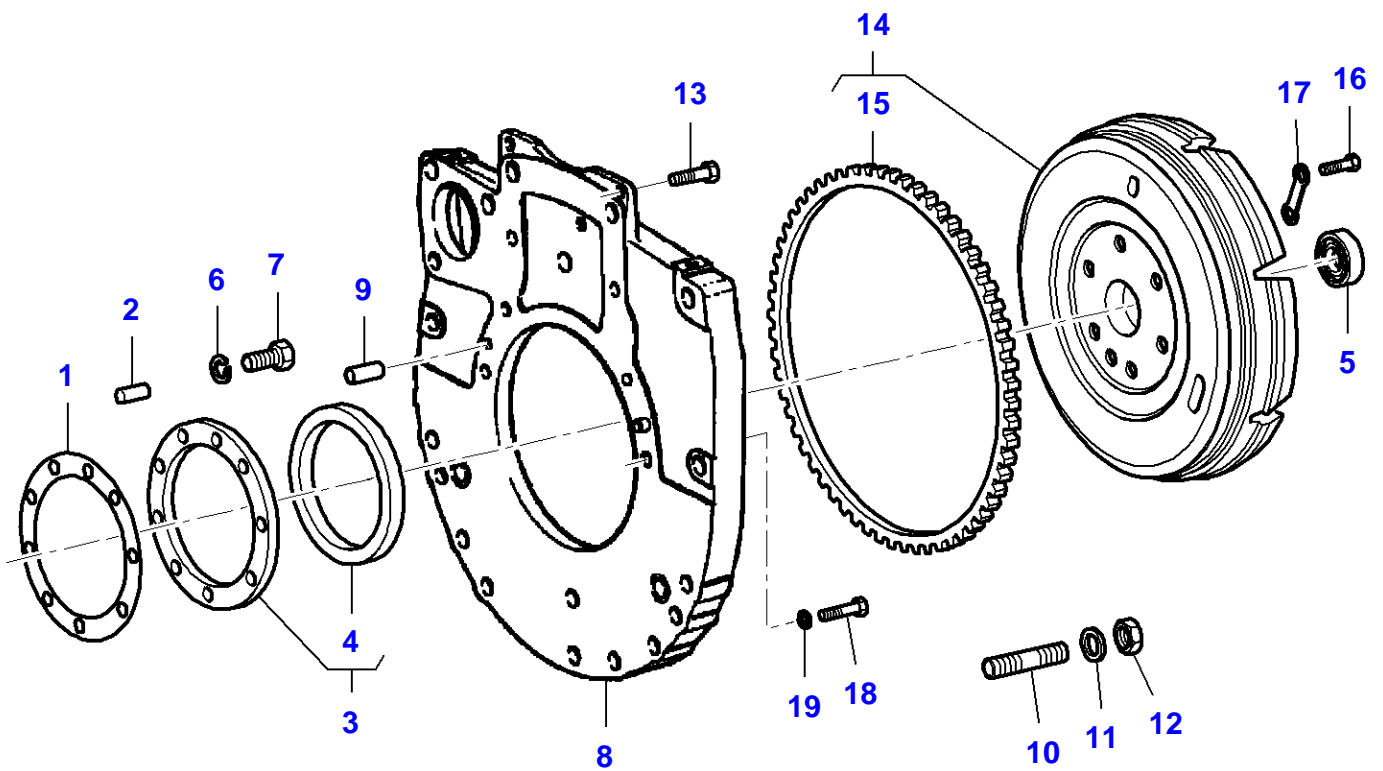
Page Number	Page Title	Page Reference
01-0001	ENGINE	00110004-1
01-0002	FLYWHEEL	00950002-1
01-0003	ENGINE - CYLINDER-BLOCK	05600022-1
01-0004	ENGINE - CRANKSHAFT, PISTONS & PISTON ROD	05630011-1
01-0005	CYLINDER HEAD	05660018-1
01-0006	ENGINE - INTAKE VALVE, EXHAUST VALVE & CAMSHAFT	05690015-1
01-0007	ENGINE - CYLINDER HEAD COVER	00850004-1
01-0008	ENGINE - BREATHER	06140004-1
01-0009	ENGINE - TIMING GEAR HOUSING	05720013-1
01-0010	ENGINE - FUEL FILTER UP TO MACHINE S/N MEA1E52ATB1176549	05880002-1
01-0011	ENGINE - FUEL FILTER FROM MACHINE S/N MEA1E52ATB1176550	2339529
01-0012	ENGINE - OIL PUMP	04500001-1
01-0013	ENGINE - OIL SUMP	04400008-1
01-0014	ENGINE - OIL FILTER	04450001-1
01-0015	ENGINE - WATER PUMP	02750004-1
01-0016	ENGINE - INJECTION PUMP	2167194
01-0017	ENGINE - INTAKE & EXHAUST MANIFOLD	03050020-1
01-0018	ENGINE - TURBOCHARGER	06470006-1
01-0019	ENGINE - GASKET SET	06010023-1
01-0020	ELECTRICAL EQUIPMENT - 2 WHEELS DRIVE	01500039-1
01-0021	ELECTRICAL EQUIPMENT - 4 WHEELS DRIVE	01500041-1
01-0022	ELECTRICAL EQUIPMENT - 2 SPEED IPTO OR SIDE SHIFT	1909830
01-0023	ALTERNATOR & BRACKET	01550019-1
01-0024	ALTERNATOR	01600007-1
01-0025	STARTER	01800006-1
01-0026	STARTER MOTOR - (COMPONENTS)	2173559
01-0027	BATTERY - HARNESS	02300014-1
01-0028	FUEL SYSTEM - TANK & ATTACHMENTS UP TO MACHINE S/N MEA1E52ATB1176549	03850037-1
01-0029	FUEL SYSTEM - TANK & ATTACHMENTS FROM MACHINE S/N MEA1E52ATB1176550	2339528
01-0030	FUEL SYSTEM - PIPES UP TO MACHINE S/N MEA1E52ATB1176549	1862962
01-0031	FUEL SYSTEM - PIPES - 2 SPEED IPTO UP TO MACHINE S/N MEA1E52ATB1176549	1908617
01-0032	FUEL SYSTEM - PIPES FROM MACHINE S/N MEA1E52ATB1176550	2339530
01-0033	FUEL SYSTEM - PIPES UP TO MACHINE S/N MEA1E52ATB1176549	03860024-1
01-0034	FUEL SYSTEM - PIPES FROM MACHINE S/N MEA1E52ATB1176550	2339531
01-0035	AIR FILTER	02900021-1
01-0036	INSTRUMENT PANEL & SWITCHES	05150021-1
01-0037	INSTRUMENT PANEL & SWITCHES - (COMPONENTS)	05150016-1
01-0038	FAN	02700013-1
01-0039	COOLING SYSTEM	2181984
01-0040	COOLING SYSTEM	2182092
01-0041	EXHAUST - HORIZONTAL	03250023-1
01-0042	THROTTLE CONTROL	05000041-1

0-0011-004-A



Item	Part Number	Qty	Description Comments	Technical Specification
1	2318P02101	1	ENGINE	TSJ327E 58HP-7123
2	716946M2	1	JOINT	
3	3792701M1	2	DOWEL	∅9,5 X 19 MM
4	828123M2	1	BEAR.6203 2Z UP TO MACHINE S/N FX-788256	
	4256612M1	1	BEARING FROM MACHINE S/N FX-788257	
5	353432X1	1	LOCK WASHER	7/16"
6	353426X1	1	NUT	7/16"-20 SAE 5 ZN
7	3019851X1	1	HEXAGONAL HEAD BOLT 2 WHEELS DRIVE	M12 X 45 ISO 10.9 PH
	1940P00101	1	HEXAGON FLANGE BOLT 4 WHEELS DRIVE	7/16"-14 X 1-1/8
8	3019855X1	11	HEXAGONAL HEAD BOLT	M12 X 70 ISO 10.9 PH
9	339369X1	12	LOCKWASHER	M12 ZN
10	390735X1	2	FLAT WASHER	M12 ZN
11	353579X1	1	HEX CAP SCREW	7/16"-20 X 3-1/2 SAE 5 ZN
12	391929X1	2	HEXAGONAL HEAD BOLT	M12 X 60 ISO 10.9 ZN

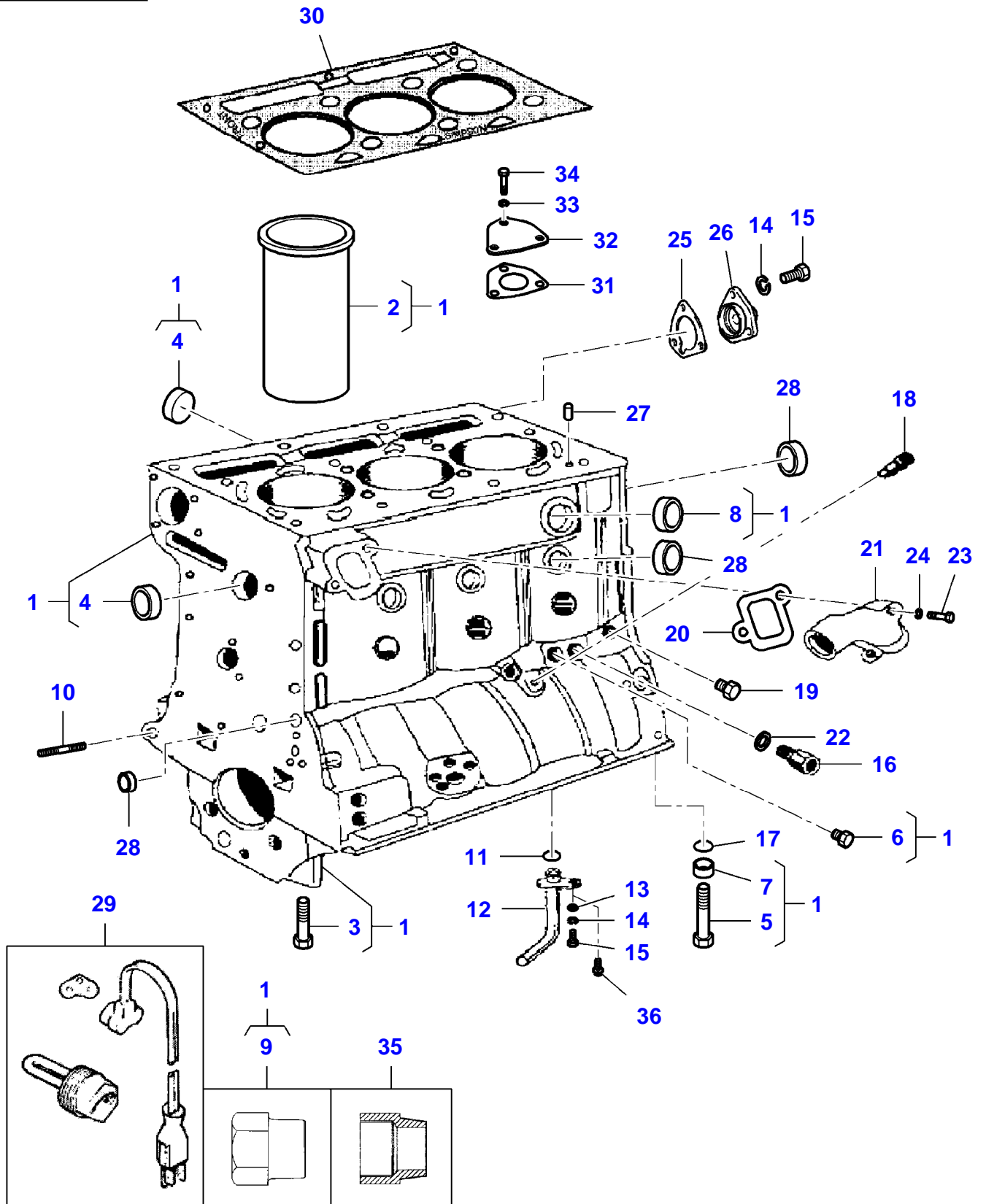
0-0095-002-C



Item	Part Number	Qty	Description Comments	Technical Specification
1	3604480M1	1	JOINT	
2	731312M1	2	DOWEL	
3	3905763M91	1	KIT, HOUSING	
4	3904988M1	1	OIL SEAL	
5	828123M2	1	BEAR.6203 2Z UP TO MACHINE S/N FX-788256	
	4256612M1	1	BEARING FROM MACHINE S/N FX-788257	
6	1650484M1	9	LOCK WASHER	5/16"
7	3604656M1	9	HEX CAP SCREW	
8	3604646M1	1	FLYWHEEL HOUSING	
9	731344M1	2	DOWEL	
10	3604725M1	6	STUD BOLT	
11	3604675M1	6	FLAT WASHER	
12	3604702M1	6	LOCKNUT	
13	3604652M1	2	HEX CAP SCREW	
14	3408364M91	1	FLYWHEEL ASSY.	
15	731008M1	1	STARTER RING	
16	3604719M1	6	HEX CAP SCREW	M12 X 35 (1.25) ISO 10.9
17	731192M1	3	TAB WASHER	
18	NS	X	NON-SERVICEABLE PART	
19	NS	X	NON-SERVICEABLE PART	

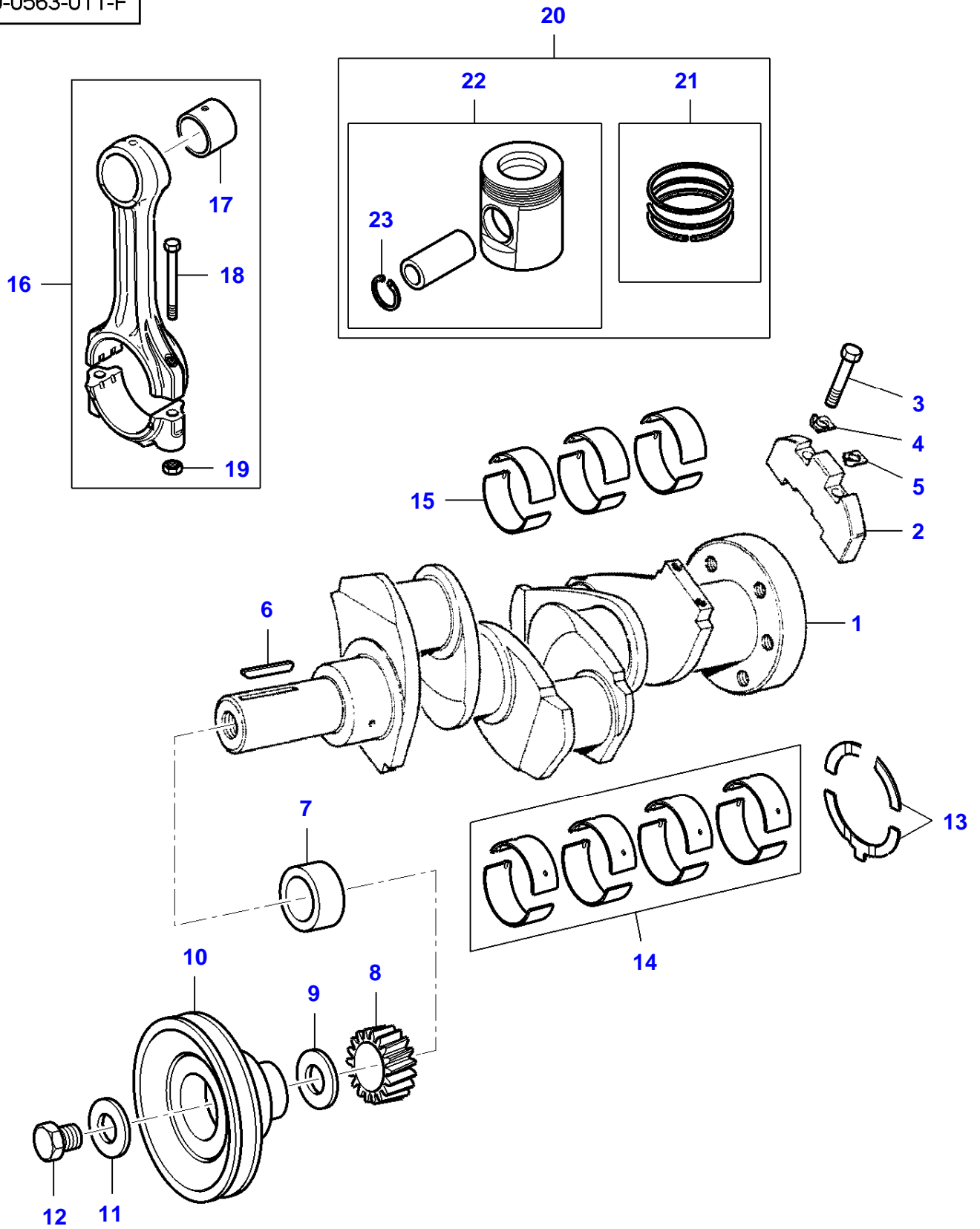
MF 2620 GE TRACTOR - MADE IN INDIA FOR TURKEY
8022865-0-A

8022865-0-A



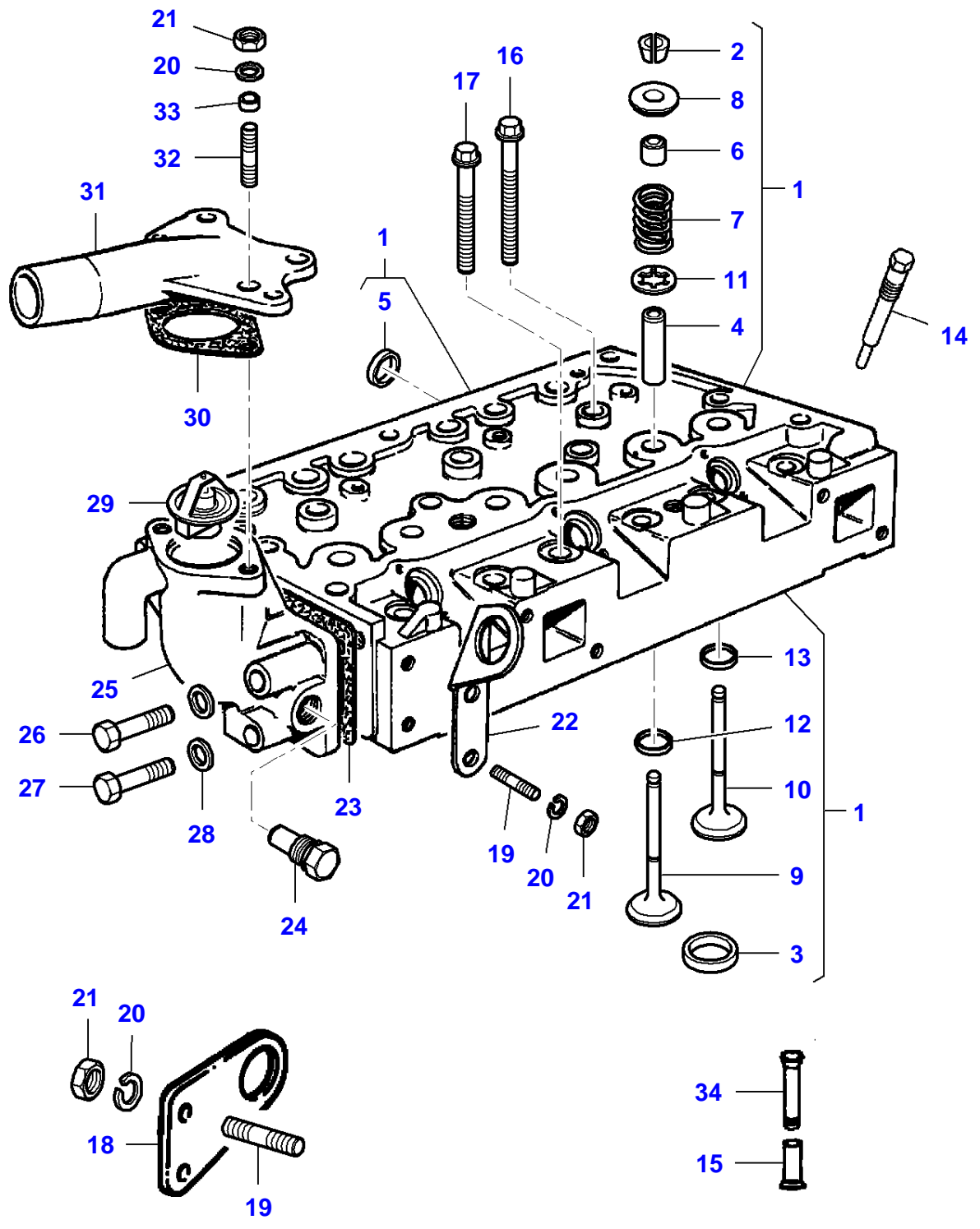
Item	Part Number	Qty	Description Comments	Technical Specification
1	3905282M91	1	CYLINDER-BLOCK INCLUDES ITEMS 2-8	
2	3905776M1	3	LINER SEMI-FINISHED	
	3904972M1	X	LINER PRE-FINISHED	
3	3604538M1	6	HEX CAP SCREW	
4	731354M1	5	PLUG	
5	3604537M1	2	HEX CAP SCREW	
6	3904982M1	1	PLUG	
7	3604536M1	8	THIMBLE	
8	733067M1	1	PLUG	
9	3904984M1	1	ADAPTER	F.3/4-14 NPSI/M 1"PTF
10	3905853M1	1	STUD BOLT	
11	3904991M1	1	O RING	
12	3905264M1	1	PIPE	
13	3905254M1	4	WASHER UP TO ENGINE S/N TSJ327E38076	
14	1650484M1	4	LOCK WASHER UP TO ENGINE S/N TSJ327E38076	5/16"
15	3604656M1	4	HEX CAP SCREW UP TO ENGINE S/N TSJ327E38076	
16	3904945M1	1	ADAPTER	
17	1447053M1	2	O RING	
18	3904976M1	1	PIPE	
19	376670X1	1	PLUG	
20	3904965M1	1	JOINT	
21	3906583M1	1	CONNECTION	
22	3904857M1	1	SEALING WASHER	
23	3604656M1	2	HEX CAP SCREW	
24	375731X1	2	LOCK WASHER	
25	731209M1	1	JOINT	
26	3905996M1	1	PLATE	
27	4222552M1	2	DOWEL	
28	3904983M1	3	PLUG	
29	773323M92	1	HEATER	
30	3906992M1	1	CYLINDER HEAD GASKET	
31	3904961M1	1	JOINT	
32	3906915M1	1	PLATE	
33	353441X1	3	LOCK WASHER	1/4" ZN
34	3604716M1	3	HEX CAP SCREW	
35	NS	X	NON-SERVICEABLE PART	
36	ACP0220530	4	BOLT FROM ENGINE S/N TSJ327E38077	

0-0563-011-F



Item	Part Number	Qty	Description Comments	Technical Specification
1	3908666M91	1	CRANKSHAFT	
2	745483M1	2	WEIGHT	
3	376546X1	4	HEX CAP SCREW	
4	733644M1	2	RIGHT HAND TAB WASHER	
5	733645M1	2	LEFT HAND TAB WASHER	
6	731076M1	1	WOODRUFF KEY	
7	3905291M1	1	SPACER	
8	3905292M1	1	GEAR,CRANKSHAFT	
9	745057M1	1	WASHER	
10	3905512M1	1	CRANKSHAFT PULLEY	
11	731376M1	1	WASHER	
12	3604717M1	1	HEX CAP SCREW	
13	3604437M1	2	KIT, WASHER "STANDARD"	
	3604438M1	2	KIT, WASHER "OVERSIZE"	
14	3604429M1	1	MAIN BEARING	
	3604430M1	1	MAIN BEARING	S = -0.25MM/-0.010"
	3604431M1	1	MAIN BEARING	S = -0.50MM/-0.020"
	3604432M1	1	MAIN BEARING	S = -0.75MM/-0.030"
15	3604433M1	6	BEARING "Standard"	
	3604434M1	6	BEARING	S = -0.25MM/-0.010"
	3604435M1	6	BEARING	S = -0.50MM/-0.020"
	3604436M1	6	BEARING	S = -0.75MM/-0.030"
16	3604445M91	3	KIT, CONROD INCLUDES ITEMS 17-19	
17	740407M1	1	BUSH	
18	375756X1	2	HEX CAP SCREW	
19	3639947M1	2	NUT	7/16"-20
20	3905278M91	3	KIT, PISTON/RING INCLUDES ITEMS 21-23	
21	3905261M91	1	KIT, RING ONLY FOR TURKEY	
22	3906593M91	1	KIT, PISTON INCLUDES ITEMS 23	
23	375709X1	2	CIRCLIP	

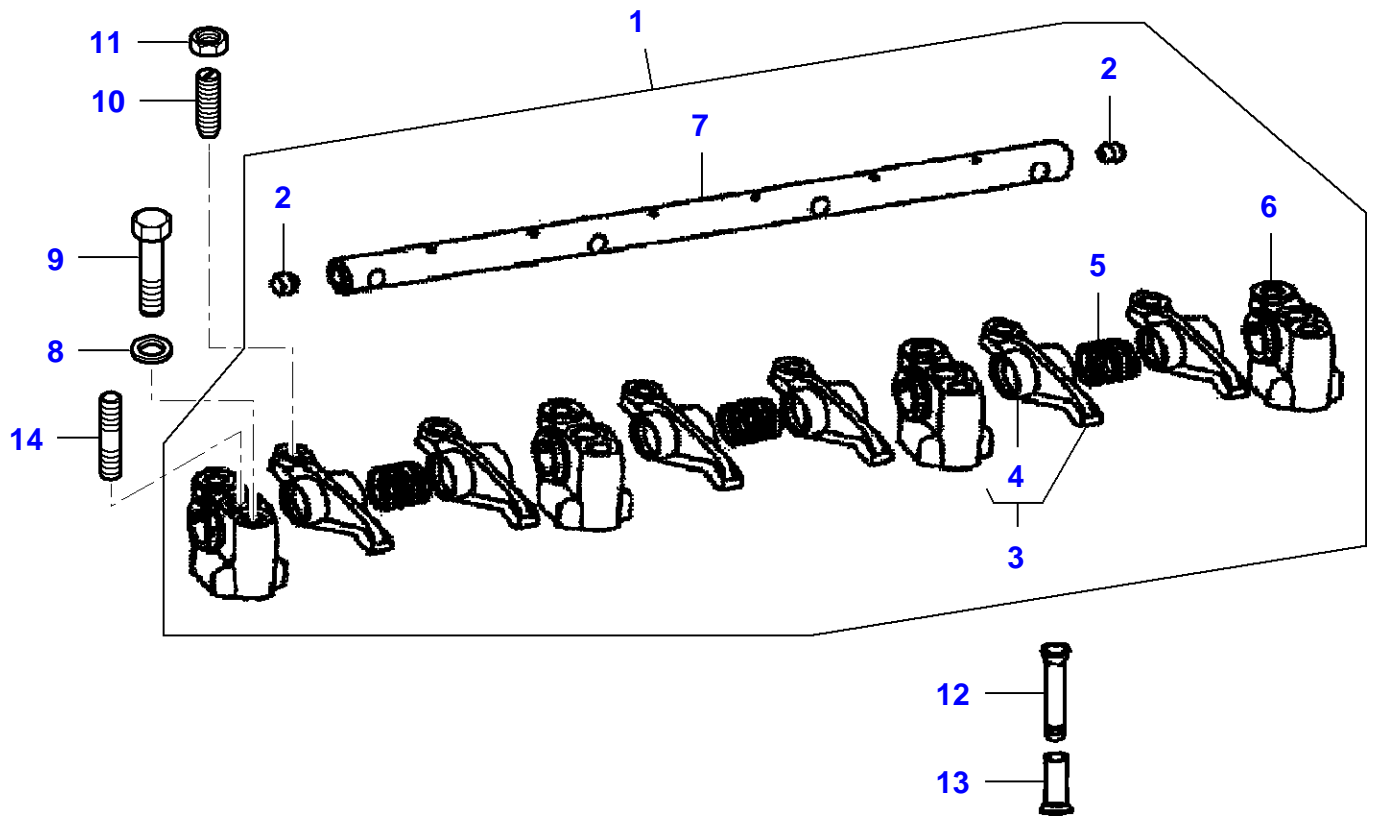
0-0566-018-A



Item	Part Number	Qty	Description Comments	Technical Specification
1	3906943M91	1	KIT, CYL. HEAD INCLUDES ITEMS 2-13	
2	731155M1	12	COTTER	
3	731354M1	7	PLUG	
4	ACP0300950	X	GUIDE	PRE-FINISHED
	3904958M1	6	GUIDE	
5	731856M1	2	PLUG	
6	3904989M1	6	SEAL	
7	3904999M1	6	SPRING	
8	731156M1	6	CAP	
9	3905253M1	3	EXHAUST VALVE	
10	3905252M1	3	INLET VALVE	
11	737645M1	6	WASHER	
12	3904960M1	3	INSERT	
13	3904959M1	3	INSERT	
14	3906517M1	3	GLOW PLUG	
15	3905251M1	6	TAPPET	
16	3904995M1	8	HEX CAP SCREW	
17	3904996M1	4	HEX CAP SCREW	
18	3604678M1	1	PLATE	
19	3604724M1	4	STUD BOLT	
20	3604675M1	6	FLAT WASHER	
21	3604702M1	6	LOCKNUT	
22	3906917M1	1	PLATE	
23	3904964M1	1	JOINT	
24	4224584M1	1	PLUG	
25	3908625M91	1	BODY	
26	3904994M1	2	HEX CAP SCREW	
27	3604710M1	2	HEX CAP SCREW	
28	1650484M1	4	LOCK WASHER	5/16"
29	3906514M1	1	THERMOSTAT	
30	1650482M1	1	JOINT	
31	3905510M1	1	CONNECTION	
32	3905511M1	2	STUD BOLT	
33	3904956M1	1	SPACER	
34	3904986M1	6	ROD	
35	3906693M1	1	RELAY "GlowPlug Timer" [A]	

[A] NOT ILLUSTRATED

0-0569-015-A



Item	Part Number	Qty	Description Comments	Technical Specification
1	3905262M91	1	ROCKER SHAFT INCLUDES ITEMS 2-7	
2	731330M1	2	PLUG	
3	3905263M91	6	ROCKER ARM INCLUDES ITEMS 4	
4	3904941M1	1	BUSH	
	3905475M1	1	ROCKER ARM	
5	3905000M1	3	SPRING	
6	3905581M1	4	ROCK.ARM BRACKET ONLY FOR TURKEY	
7	3904997M1	1	ROCKER SHAFT	
8	1650484M1	8	LOCK WASHER	5/16"
9	3904993M1	8	HEX CAP SCREW	
10	3904987M1	6	GRUB SCREW	
11	3904975M1	6	LOCKNUT	
12	3904986M1	6	ROD	
13	3905251M1	6	TAPPET	
14	3905249M1	4	STUD BOLT ONLY FOR TURKEY	

Buy Now



Our support email:

ebooklibonline@outlook.com