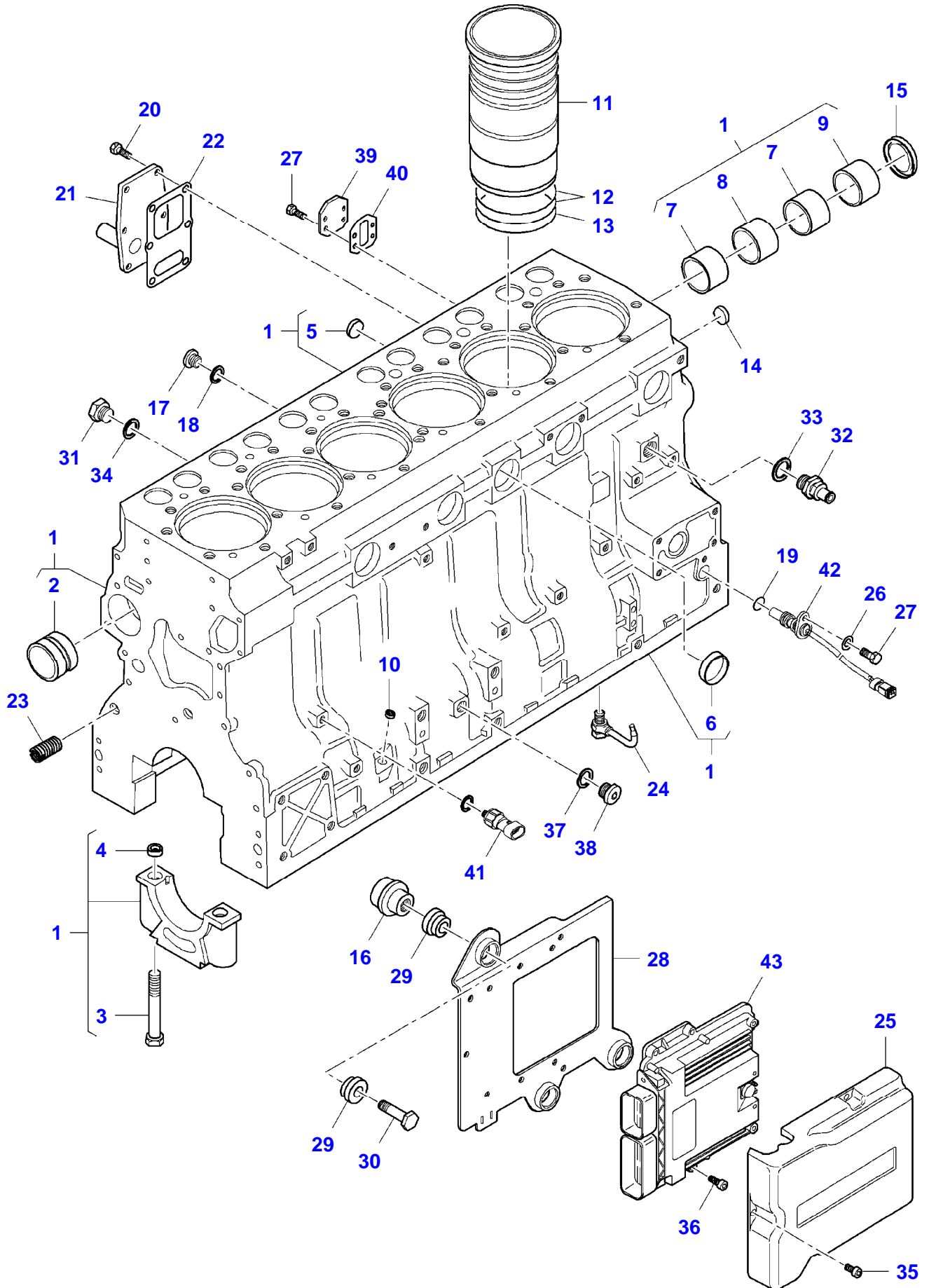


AL) (62276-63999) CENTORA COMBINE**TABLE OF CONTENT****Page00-TOC**

Page Number	Page Title	Page Reference
01-000-TOC	ENGINE, FUEL AND EXHAUST SYSTEM	01-000-TOC
02-000-TOC	DRIVE SYSTEM	02-000-TOC
03-000-TOC	AXLES	03-000-TOC
04-000-TOC	FRAME AND SUSPENSION	04-000-TOC
05-000-TOC	STEERING SYSTEM	05-000-TOC
06-000-TOC	DRIVE TRAIN SYSTEM	06-000-TOC
07-000-TOC	BRAKE SYSTEM	07-000-TOC
08-000-TOC	HYDRAULIC SYSTEM	08-000-TOC
09-000-TOC	ELECTRICAL SYSTEM	09-000-TOC
10-000-TOC	CAB	10-000-TOC
11-000-TOC	AIR CONDITIONING AND HEATING SYSTEM	11-000-TOC
12-000-TOC	CHASSIS	12-000-TOC
13-000-TOC	DECALS	13-000-TOC
14-000-TOC	WHEELS	14-000-TOC
15-000-TOC	FEEDING SYSTEM	15-000-TOC
16-000-TOC	THRESHING SYSTEM	16-000-TOC
17-000-TOC	CLEANING SYSTEM	17-000-TOC
18-000-TOC	GRAIN BIN AND ELEVATOR SYSTEM	18-000-TOC
19-000-TOC	DISCHARGE SYSTEM	19-000-TOC
20-000-TOC	PRECISION FARMING SYSTEMS	20-000-TOC
21-000-TOC	ATTACHMENTS	21-000-TOC
22-000-TOC	ACCESSORIES	22-000-TOC
23-000-TOC	GENERAL INFORMATION	23-000-TOC

MF 7280 (580000001-999 / 580400001-999 AL) / MF 7282 (581000001-999 / 581400001-999 AL) (62276-63999) CENTORA COMBINE
8024717-F5-1

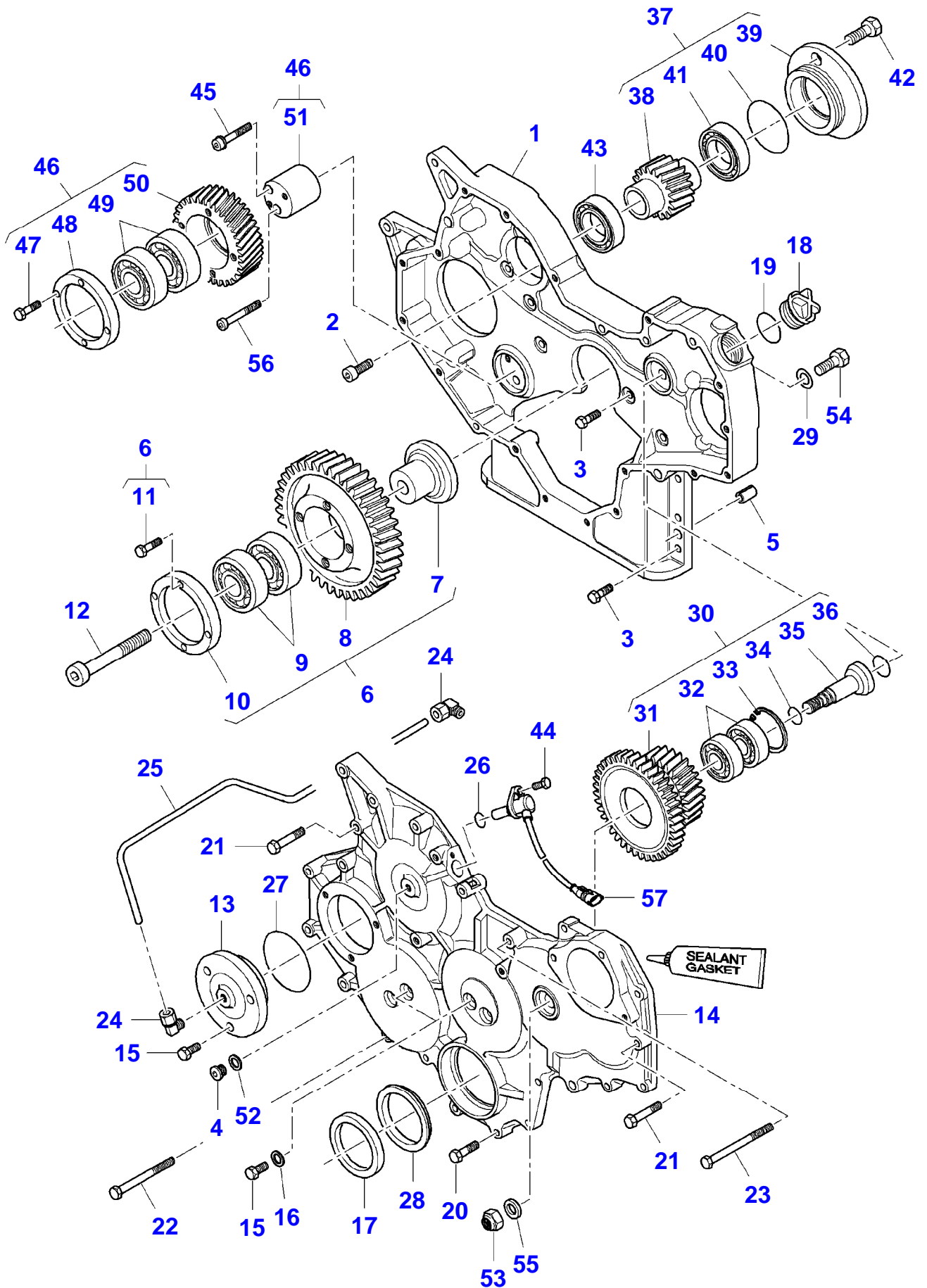


8024717-F5-1

CYLINDER BLOCK

Item	Part Number	Qty	Description Comments
			FROM ENGINE S/N X29718
1	V836873095	1	CYLINDER BLOCK
2	V836866069	1	CAMSHAFT BEARING BUSH
	V836866036	X	CAMSHAFT BEARING BUSH
3	V835329030	14	HEX CAP SCREW
4	V836214478	24	GUIDE SLEEVE
5	V640016018	1	PLUG
6	V640016040	4	PLUG
7	V836852460	2	CAMSHAFT BEARING BUSH
8	V836852459	1	CAMSHAFT BEARING BUSH
9	V836852461	1	CAMSHAFT BEARING BUSH
10	V640016012	1	PLUG
11	V836867048	6	LINER
	V836867050	X	LINER THICKNESS
12	V836855446	12	CYLINDER LINER O-RING [A]
13	V836855447	6	CYLINDER LINER O-RING [A]
14	V640016016	2	PLUG
15	V836852744	1	PLUG
16	V837069057	1	PLUG
17	V640325110	5	PLUG
18	V615871014	5	SEALING WASHER [A]
19	V614601524	1	O-RING
20	V528801380	6	HEX CAP SCREW
21	V837074414	1	COVER
22	V836322852	1	GASKET [A]
23	V836859153	1	THREADED BUSH
24	V837074224	6	PISTON COOLING JET
25	V837073901	1	COVER
26	V500050840	1	FLAT WASHER
27	V528801362	5	HEX CAP SCREW
28	V837073900	1	ECU BRACKET
29	V837084129	6	DAMPER
30	V837069056	3	SCREW
31	V836119079	1	PLUG
32	V836664377	1	COCK
33	V615881824	1	SEALING WASHER [A]
34	V615881620	1	SEALING WASHER [A]
35	V581804182	3	HEX SOCKET SCREW
36	V581804202	4	HEX SOCKET SCREW
37	V615881420	1	SEALING WASHER [A]
38	V640325014	1	PLUG
39	V836866957	1	COVER
40	V836866958	1	GASKET [A]
41		X	OIL PRESS SWITCH SEE PAGE 01-0055
42		X	SPEED SENSOR SEE PAGE 01-0055
43		X	CONTROL UNIT SEE PAGE 01-0055 [A] INCLUDED IN KIT V837079464

MF 7280 (580000001-999 / 580400001-999 AL) / MF 7282 (581000001-999 / 581400001-999 AL) (62276-63999) CENTORA COMBINE
8016869-F5-1



TIMING GEARS AND HOUSING

Item	Part Number	Qty	Description Comments
			UP TO ENGINE S/N X29717
1	V837070107	1	TIMING GEAR CASE
2	V581804620	2	HEX SOCKET SCREW
3	V528801400	12	HEX CAP SCREW
4	V640325110	1	PLUG
5	V598359850	2	PIN
6	V837070001	1	KIT, GEAR
7	V836855562	1	SHAFT
8	V837070000	1	IDLER GEAR
9	V610072109	2	BALL BEARING
10	V836855565	1	RING
11	V528901400	6	HEX CAP SCREW
12	V581705910	1	HEX SOCKET SCREW
13	V837070179	1	COVER
14	V837070108	1	GEAR HOUSING FRONT COVER
15	V528801380	7	HEX CAP SCREW
16	V615870814	4	SEALING WASHER
17	V836840883	1	CRANKSHAFT SEAL [A]
18	V836017927	1	CAP
19	V614603540	1	O-RING [A]
20	V528801410	10	HEX CAP SCREW
21	V529801440	9	HEX CAP SCREW
22	V529801510	1	HEX CAP SCREW
23	V529801540	1	HEX CAP SCREW
24	V641166006	2	ELBOW FITTING
25	V836867775	1	OIL PIPE
26	V614601718	1	O-RING
27	V614606825	1	O-RING [A]
28	V836855636	1	SHIELD
29	V500951200	1	SPRING WASHER
30	V837070072	1	DUAL GEAR WHEEL
31	V837070113	1	DUAL GEAR WHEEL
32	V610073040	2	BALL BEARING
33	V617330052	1	LOCK RING
34	V614601324	1	O-RING [A]
35	V837069069	1	SHAFT
36	V614601924	1	O-RING [A]
37	V837070137	1	DRIVE
38	V837070005	1	HYDRAULIC PUMP GEAR WHEEL
39	V836855651	1	FLANGE
40	V614609430	1	O-RING [A]
41	V610060096	1	BALL BEARING
42	V528802602	2	HEX CAP SCREW
43	V610060096	1	BALL BEARING
44	V528801062	1	HEX CAP SCREW
45	V580704670	1	HEX SOCKET SCREW
46	V837070004	1	IDLER GEAR
47	V528901400	4	HEX CAP SCREW
48	V836855565	1	RING
49	V610072109	2	BALL BEARING
50	V837070002	1	IDLER GEAR
51	V837070003	1	SHAFT
52	V615571014	1	SEALING WASHER
53	V504601400	1	NUT
54	V581705420	1	HEX SOCKET SCREW
55	V837069070	1	WASHER
56	V581704710	1	HEX SOCKET SCREW
57		X	SPEED SENSOR SEE PAGE 01-0053

Massey Ferguson

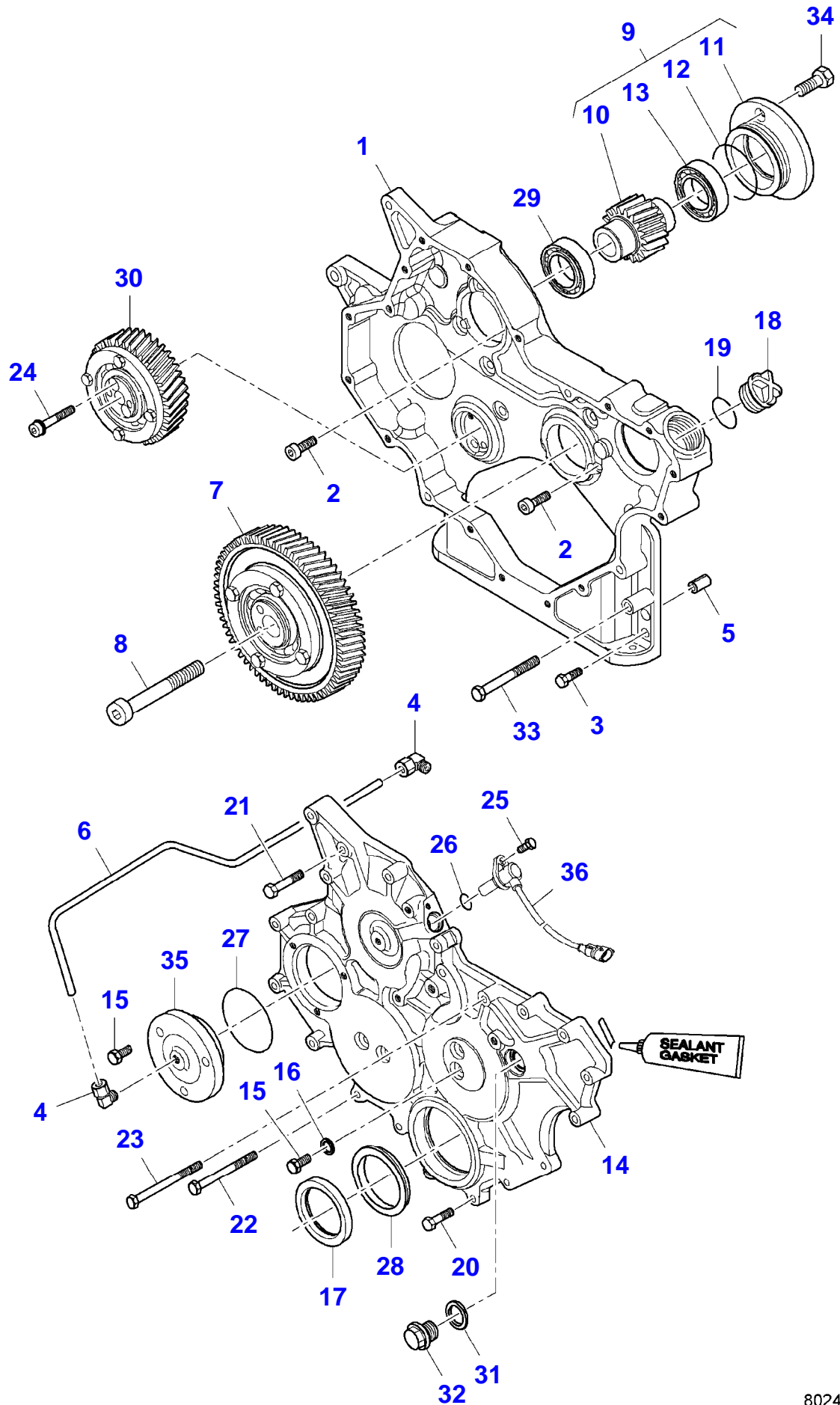
MF 7280 (580000001-999 / 580400001-999 AL) / MF 7282 (581000001-999 /
581400001-999 AL) (62276-63999) CENTORA COMBINE

3906260

TIMING GEARS AND HOUSING

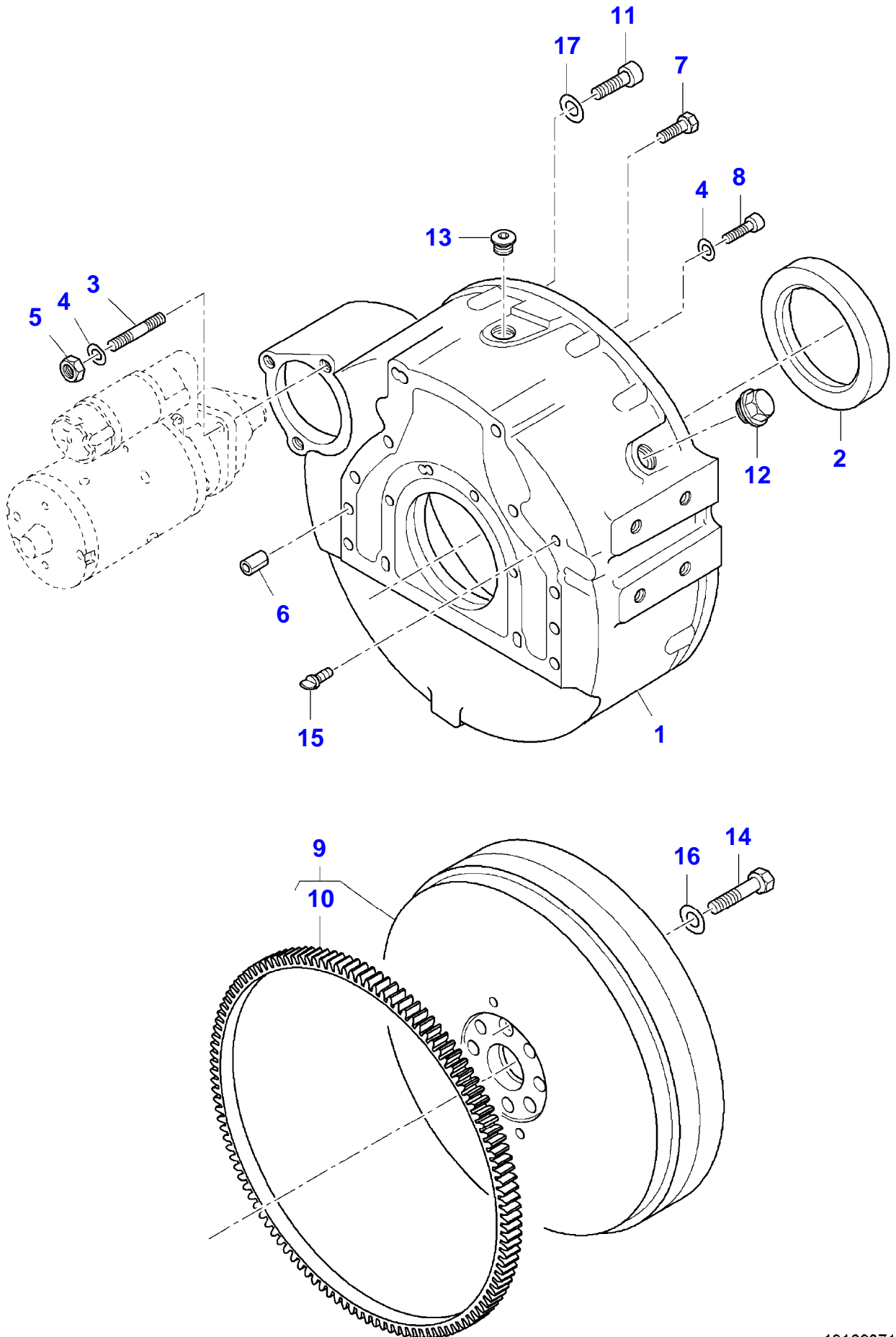
Page01-0013

Item	Part Number	Qty	Description
			Comments
			[A] INCLUDED IN KIT V837062628

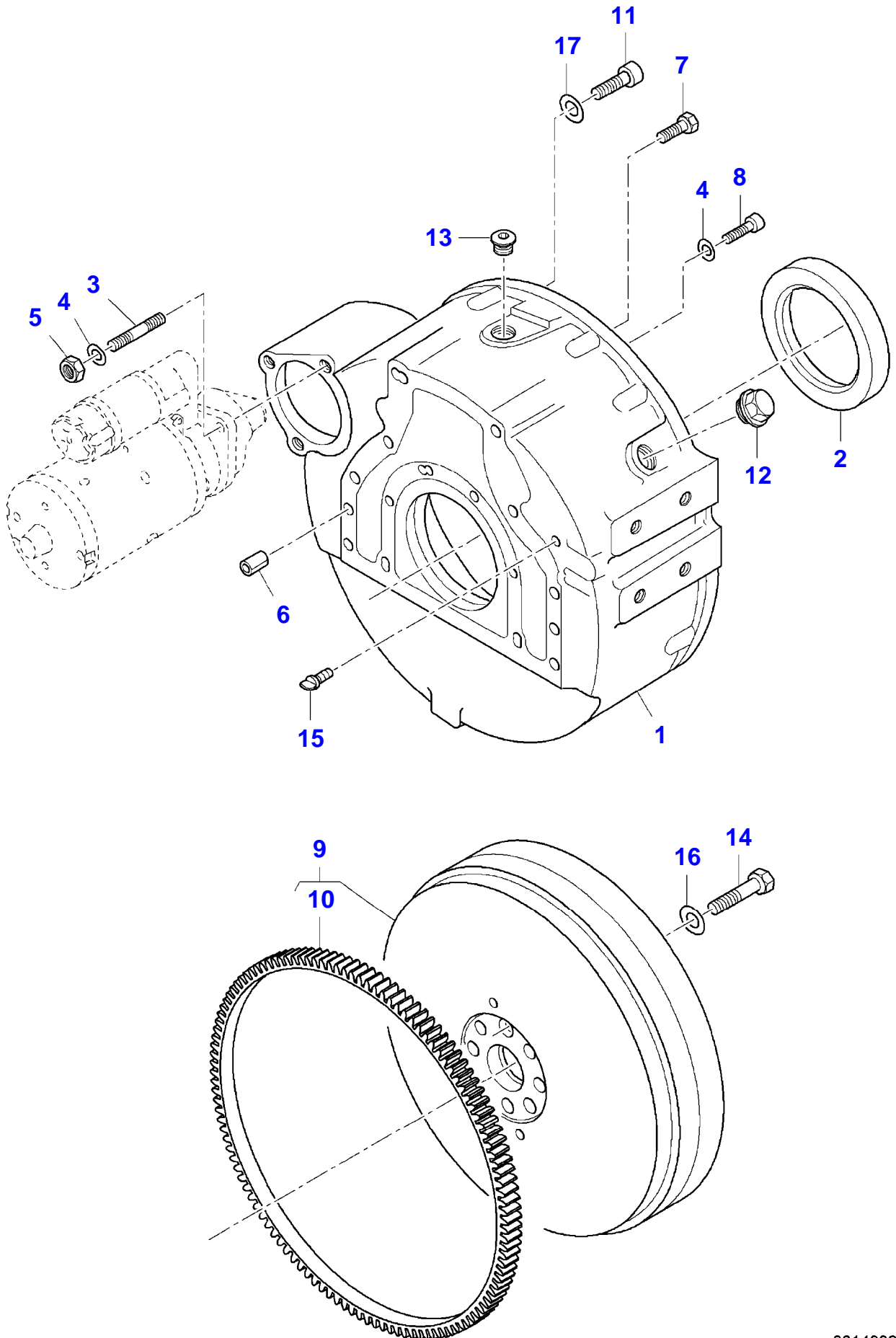


TIMING GEARS AND HOUSING

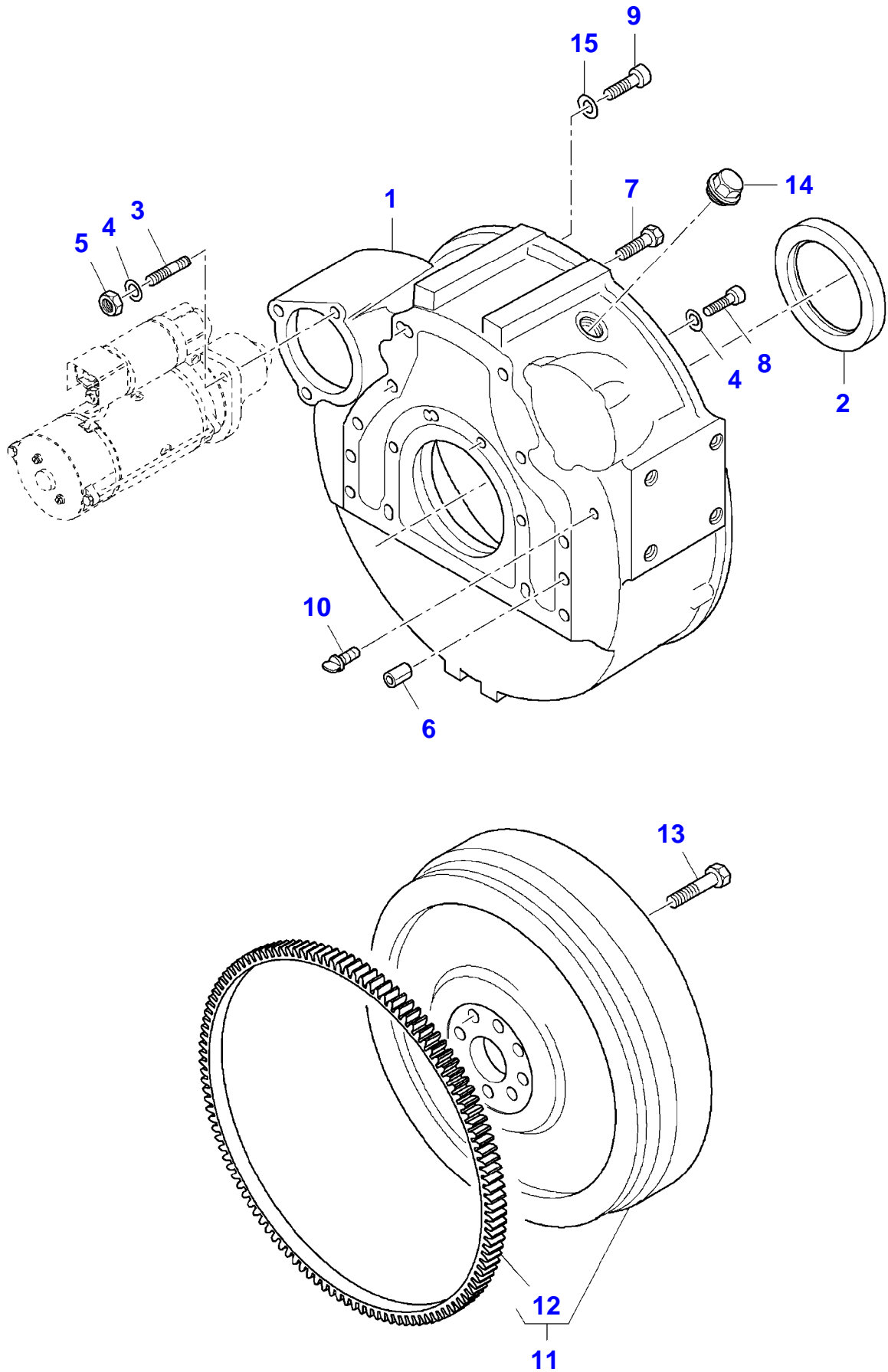
Item	Part Number	Qty	Description Comments	Technical Specification
			FROM ENGINE S/N X29718	
1	V837073615	1	TIMING GEAR CASE	
2	V581804602	11	HEX SOCKET SCREW	
3	VHA6324	3	SCREW	M8 X 25 ISO 8.8
4	VGS9012	2	FITTING	M10 (1.0)
5	VJE8802	2	PIN	
6	V836867775	1	OIL PIPE	
7	V837073583	1	IDLER GEAR	
8	V581705910	1	HEX SOCKET SCREW	
9	V837070137	1	DRIVE	
10	V837070005	1	HYDRAULIC PUMP GEAR WHEEL	
11	V836855651	1	FLANGE	
12	V614609430	1	O-RING	
13	VLA1014	1	BALL BEARING	?45-75 X 16 MM
14	V837073616	1	GEAR HOUSING FRONT COVER	
15	V528801382	7	HEX CAP SCREW	
16	V615870814	4	SEALING WASHER	
			[A]	
17	V836840883	1	CRANKSHAFT SEAL	
			[A]	
18	V836017927	1	CAP	
19	V614603540	1	O-RING	
			[A]	
20	VHA6325	5	SCREW	M8 X 30 ISO 8.8
21	V529801440	14	HEX CAP SCREW	
22	VHA8330	2	SCREW	M8 X 80 ISO 8.8
23	V529801540	1	HEX CAP SCREW	
24	V580704670	2	HEX SOCKET SCREW	
25	VHA6313	1	SCREW	M6 X 16 ISO 8.8
26	V614601718	1	O-RING	
27	V614606825	1	O-RING	
			[A]	
28	V836855636	1	SHIELD	
29	VLA1014	1	BALL BEARING	?45-75 X 16 MM
30	V837073256	1	IDLER GEAR	
31	V615882227	1	SEALING WASHER	
32	V640045022	1	PLUG	
33	V529801470	1	HEX CAP SCREW	
34	V528802602	2	HEX CAP SCREW	
35	V837070179	1	COVER	
36		X	SPEED SENSOR SEE PAGE 01-0055 [A] INCLUDED IN KIT V837079464	



Item	Part Number	Qty	Description Comments
			UP TO ENGINE S/N U19999
1	V836647440	1	FLYWHEEL HOUSING
2	V836840884	1	CRANKSHAFT SEAL [A]
	V836020054	X	SPACER
3	V546801800	3	STUD BOLT
4	V500951000	6	SPRING WASHER
5	V504801000	3	NUT
6	V598359850	2	PIN
7	V528902220	6	HEX CAP SCREW
8	V581705030	6	HEX SOCKET SCREW
9	V836855909	1	FLYWHEEL
10	V836117970	1	STARTER RING
11	V581705440	2	HEX SOCKET SCREW
12	V640045126	1	PLUG
13	V640325018	1	PLUG
14	V529702630	8	HEX CAP SCREW
15	V836859311	1	PLUG
16	V500951400	8	SPRING WASHER
17	V500951200	1	SPRING WASHER
			[A] INCLUDED IN KIT V837062628



Item	Part Number	Qty	Description Comments
			FROM ENGINE S/N U20000 UP TO ENGINE S/N X29717
1	V836647440	1	FLYWHEEL HOUSING
2	V836840884	1	CRANKSHAFT SEAL [A]
	V836020054	X	SPACER
3	V546801815	3	STUD BOLT
4	V500951000	6	SPRING WASHER
5	V504601000	3	NUT
6	V598359850	2	PIN
7	V528902220	6	HEX CAP SCREW
8	V581705030	6	HEX SOCKET SCREW
9	V836855909	1	FLYWHEEL
10	V836117970	1	STARTER RING
11	V581705440	2	HEX SOCKET SCREW
12	V640045126	1	PLUG
13	V640325018	1	PLUG
14	V529702630	8	HEX CAP SCREW
15	V836859311	1	PLUG
16	V500951400	8	SPRING WASHER
17	V500951200	1	SPRING WASHER
			[A] INCLUDED IN KIT V837062628



Item	Part Number	Qty	Description Comments
			FROM ENGINE S/N X29718
1	V836647442	1	FLYWHEEL HOUSING
2	V837079706	1	CRANKSHAFT SEAL
3	V546801815	3	STUD BOLT
4	V500951000	6	SPRING WASHER
5	V504601000	3	NUT
6	V598359850	2	PIN
7	V528902220	6	HEX CAP SCREW
8	V581705030	6	HEX SOCKET SCREW
9	V581705440	2	HEX SOCKET SCREW
10	V836859311	1	PLUG
11	V836859485	1	FLYWHEEL
12	V836117943	1	STARTER RING
13	V529702630	8	HEX CAP SCREW
14	V640045126	1	PLUG
15	V500951200	1	SPRING WASHER

Buy Now



Our support email:

ebooklibonline@outlook.com