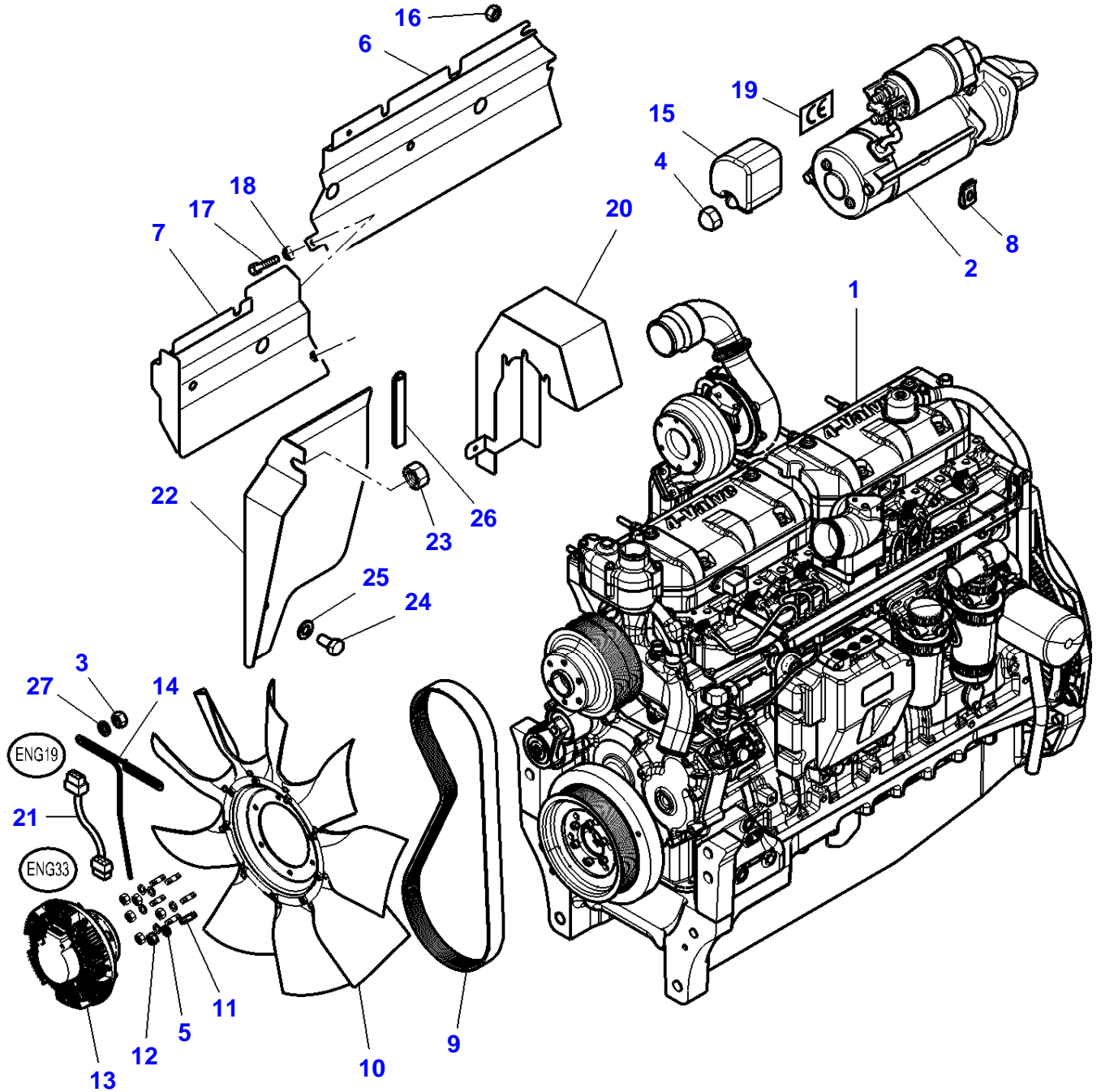


Page Title	Page Number
Engine & Equipment	010-0005
Alternator & Bracket - With 175 Amp Alternator	010-0010
Alternator & Bracket - Alternator 120 amp.	010-0015
Starter	010-0020
Cylinder Block	010-0025
Timing Gear Housing	010-0030
Crankshaft, Pistons & Connecting Rods	010-0035
Valve Mechanism And Camshaft	010-0040
Cylinder Head	010-0045
Cylinder Head Cover	010-0050
Oil Sump	010-0055
Lubricating Oil Cooler And Filter	010-0060
Water Pump	010-0065
Injection System	010-0070
Air Compressor	010-0075
Low Pressure Fuel System	010-0080
Air Induction & Exhaust	010-0085
Turbocharger - Pipes	010-0090
Electronic Engine Management	010-0095
Engine Repair Kits - Piston- Cylinder Head With Valves	010-0100
Engine Gaskets Sets	010-0105
Heater Engine Block - 110 V	010-0110
Heater Engine Block - 220 V	010-0115
Cab Heating System - Engine Part	010-0120
Fuel Tank & Attachments	010-0125
Fuel Tank & Attachments - North America Only	010-0130
Fuel Tank & Attachments - North America Only	010-0135
Fuel Pipes	010-0140
Fuel Pipes - United States Only	010-0145
Fuel System - Up to Serial or Engine Number - V288055	010-0150
Fuel System - From Serial or Engine Number - V288056	010-0155
Batteries And Cables - Without Battery Cut-Off	010-0160
Batteries And Cables - With Battery Cut-Off	010-0165
Cooling System - Air Conditioned Installation	010-0170
Compressor	010-0175
Cooling System - Engine	010-0180
Cooling System - Engine	010-0185
Cooling System - Engine	010-0190
Cooling System - Engine	010-0195
Air Filter - Dry - Dual Element	010-0200
Air Filter - Dry - Dual Element	010-0205
Air Cooler	010-0210
Vertical Exhaust On The Side	010-0215
Throttle Controls	010-0220
Throttle Controls	010-0225

1-WA06-050-B



Engine & Equipment

Item	Part Number	Qty	Description	Comments
1	V835076251	1	Engine	
	V865076251X	1	Short Engine	[H]
2	3823621M95	1	Startermotor	[A,B]
3	339030X1	2	Nut	M6
4	3786092M1	1	Nut	M10
5	385362X1	6	Flat Washer	Diameter 10-20 X 3
6	4292572M2	1	Cowl	
7	4292573M1	1	Cowl	
8	3788193M1	1	Label	
9	4282010M1	1	Belt	Length 1445 MM
	4282011M1	1	Belt	[C] Length 1830 MM
10	4281537M1	1	Fan	
11	3011339X1	6	Stud	Up to Serial or Engine Number M10 X 22
	1442072X1	6	Stud	From Serial or Engine Number M10 X 20
12	339402X1	6	Nut	Up to Serial or Engine Number V279006 M10
	3000121X1	6	Locknut	From Serial or Engine Number V279007 M10
13	4281538M1	1	Clutch	
14	4276866M4	1	Support	
15	3786093M1	1	Protection.	
16	339402X1	6	Nut	M10
17	339228X1	1	Hex Cap Screw	
18	390972X1	1	Flat Washer	
19	3788193M1	1	Label	
20	4284804M4	1	Cowl	
21	4272811M4	1	Harness	
22	4286796M3	1	Cowl	[F]
	4287002M3	1	Cowl	
	4286963M3	1	Cowl	[E]
23	3009695X1	1	Nut	M12
24	339124X1	2	Hex Cap Screw	M8 X 16
25	390972X1	2	Flat Washer	
26	3787366M1	1	Gasket	Length 450 MM
	3782183M1	1	Gasket	[E] Length 530 MM
27	391038X1	2	Flat Washer	

FOOTNOTE [A] NOT DETAILED

FOOTNOTE [B] THE APPROPRIATE SAFETY DECALS MUST BE ORDERED AND FITTED TO THIS PART

FOOTNOTE [C] WITH AIR COMPRESSOR

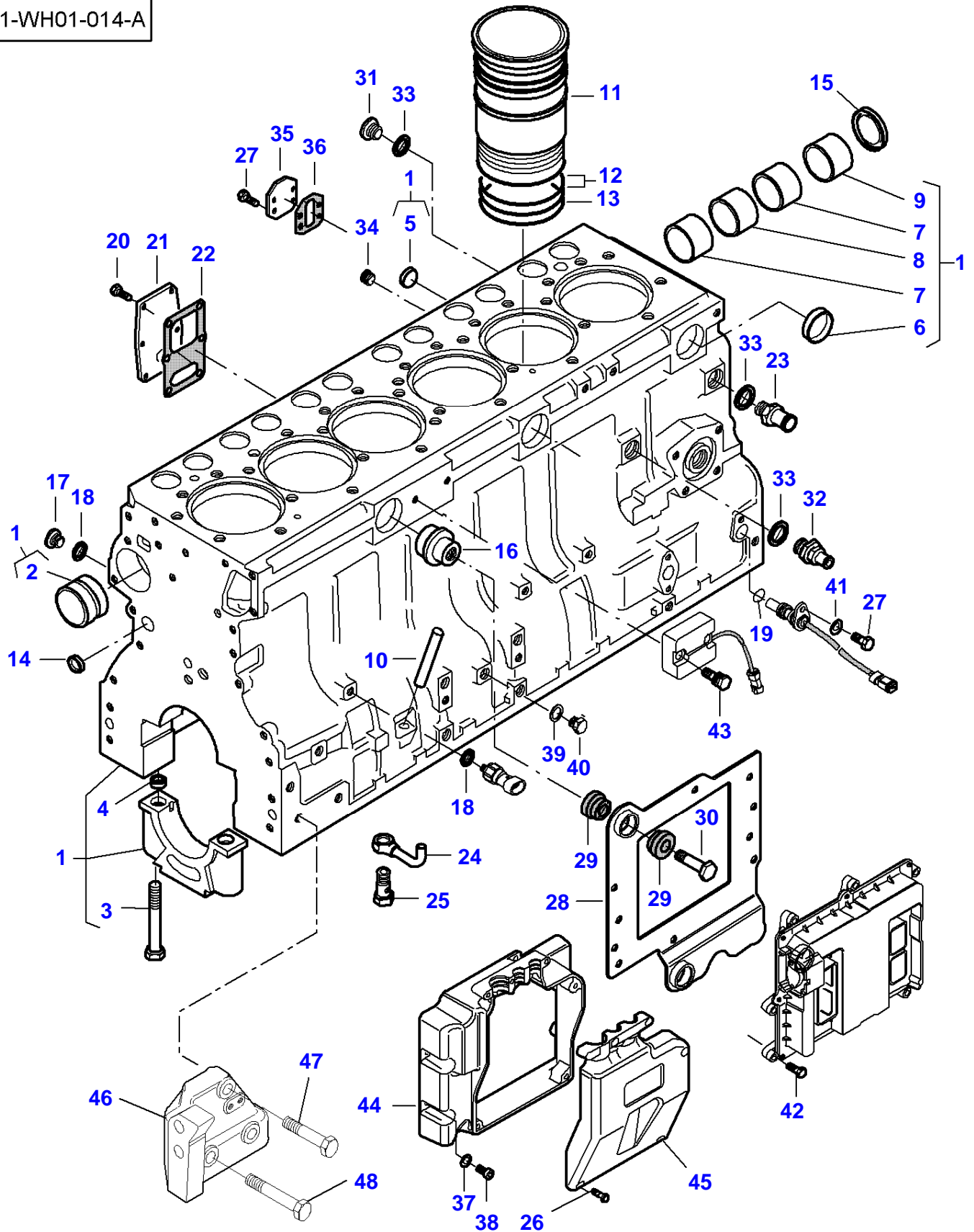
FOOTNOTE [E] WITH FRONT LINKAGE & 2 HYDRAULIC COUPLING

FOOTNOTE [F] WITH FRONT LINKAGE & 4 HYDRAULIC COUPLING

FOOTNOTE [H] NOT ILLUSTRATED

MF 7499 TRACTOR (TIER 3) - 3906281
1-WH01-014-A

1-WH01-014-A

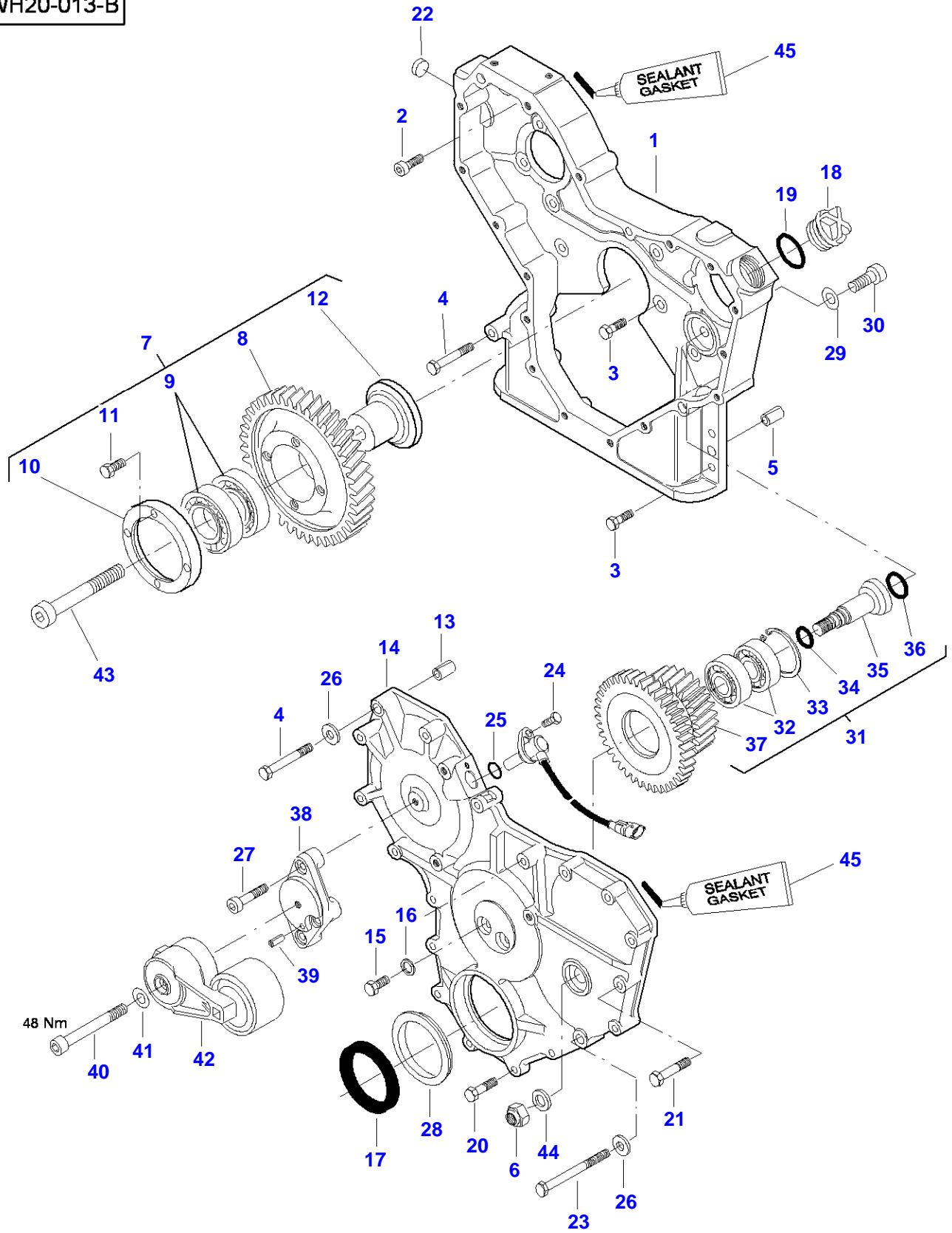


Cylinder Block

Item	Part Number	Qty	Description	Comments
1	V837070103	1	Cylinder-Block	
2	V836866069	1	Bearing Bush	(1)
	V836866036	X	Bearing Bush	Thickness + 0.40 MM
3	V529903180	14	Hex Cap Screw	(1)
4	V836214478	24	Guide Sleeve	(1)
5	V640016018	1	Plug	(1)
6	V640016040	2	Plug	(1)
7	V836852460	2	Bearing Bush	(1)
8	V836852459	1	Bearing Bush	(1)
9	V836852461	1	Bearing Bush	(1)
10	V836666910	1	Pipe	
11	V836673191	6	Liner	
	V836647933	X	Liner	Thickness 9.08 MM
	V836647934	X	Liner	Thickness 9.13 MM
	V836647935	X	Liner	Thickness 9.23MM
12	V836647502	12	O Ring	(11)
13	V836647503	6	O Ring	(11)
14	V640016016	4	Plug	
15	V836852744	1	Plug	
16	V837069057	1	Plug	
17	V640325110	4	Plug	
18	V615871014	5	Sealing Washer	
19	VKH7070	1	O Ring	
20	V528801380	6	Hex Cap Screw	M8 X 20
21	V836847994	1	Flange	
22	V836322852	1	Gasket	
23	V836119837	1	Union	
24	V837070021	6	Pipe	
25	V836338601	6	Pressure Valve	
26	V590253388	6	Screw	5.1 X 14
27	V528801362	5	Hex Cap Screw	M8 X 16
28	V837070147	1	Retaining Plate	
29	V837074327	6	Rubber Bush	
30	V837069056	3	Screw	
31	V640325018	1	Plug	
32	V836664377	1	Cock	
33	V615881824	3	Sealing Washer	
34		X	PART NOT USED	
35	V836866957	1	Cover	
36	V836866958	1	Gasket	
37	V500150642	5	Washer	
38	V581804182	5	Hex Socket Screw	M6 X 16
39	V615881216	1	Sealing Washer	
40	V640045112	1	Plug	
41	V500050842	1	Washer	
42	V528801102	8	Hex Cap Screw	M6 X 25
43	V837070197	2	Screw	
44	V837070285	1	Cover	
45	V837070286	1	Cover	
46	V836867635	1	Engine Carrier	Left Hand
	V836867636	1	Engine Carrier	Right Hand
47	V529902680	4	Hex Cap Screw	M14 X 65
48	V529902720	4	Hex Cap Screw	M14 X 85

MF 7499 TRACTOR (TIER 3) - 3906281
1-WH20-013-B

1-WH20-013-B

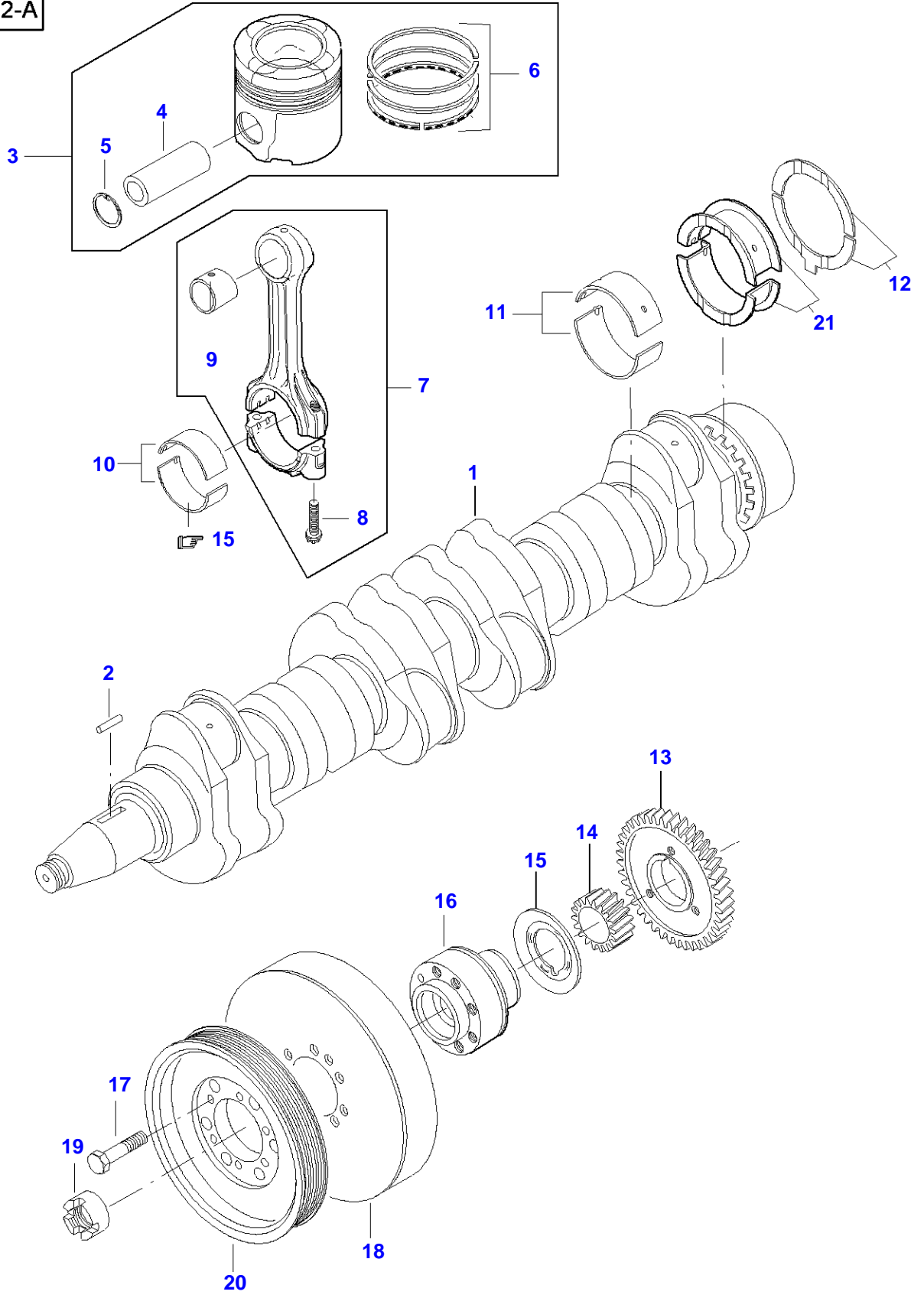


Timing Gear Housing

Item	Part Number	Qty	Description	Comments
1	V837070062	1	Timing Gear Case	
2	V581804620	2	Hex Socket Screw	M8 X 25
3	V528801400	11	Hex Cap Screw	M8 X 25
4	V529801470	2	Hex Cap Screw	M8 X 60
5	V598359850	2	Pin	
6	V504601400	1	Nut	
7	V837070001	1	Kit, Gear	
8	V837070000	1	Idler Gear	(7)
9	V610072109	1	Ball Bearing	(7)
10	V836855565	1	Ring	(7)
11	V528901400	4	Hex Cap Screw	(7) M8 X 16
12	V836855562	1	Shaft	(7)
13	V598359850	2	Pin	
14	V837070162	1	Timinggear Cover	
15	V528801380	2	Hex Cap Screw	M8 X 20
16	V615870814	2	Sealing Washer	
17	V836840883	1	Oil Seal	
	V836873100	X	Spacer	Thickness 3,00 MM
18	V836017927	1	Plug	
19	V614603540	1	O Ring	
20	V528801410	6	Hex Cap Screw	M8 X 30
21	V529801440	10	Hex Cap Screw	M8 X 45
22	V640016016	1	Plug	
23	V529801540	1	Hex Cap Screw	M8 X 95
24	V528801062	1	Hex Cap Screw	M6 X 16
25	V614601718	1	O Ring	
26	V836120989	2	Washer	
27	V581804650	3	Hex Socket Screw	M8 X 40
28	V836855636	1	Shield	
29	V500951200	1	Spring Washer	
30	V581705420	1	Hex Socket Screw	M12 X 25
31	V837070112	1	Double Gear	
32	V610073040	2	Ball Bearing	(31)
33	V617330052	1	Circlip	(31)
34	V614601324	1	O Ring	(31)
35	V837069069	1	Shaft	(31)
36	V614601924	1	O Ring	(31)
37	V837070112	1	Double Gear	(31)
38	V836873333	1	Retaining Plate	
39		X	PART NOT USED	
40	V581705130	1	Hex Socket Screw	M10 X 80
41	V500951000	1	Spring Washer	
42	V837073101	1	Tensioner	
43	V581705910	1	Hex Socket Screw	M14 X 70
44	V837069070	1	Washer	
45	V836662735	1	Sealing Compound	

MF 7499 TRACTOR (TIER 3) - 3906281
1-WH02-022-A

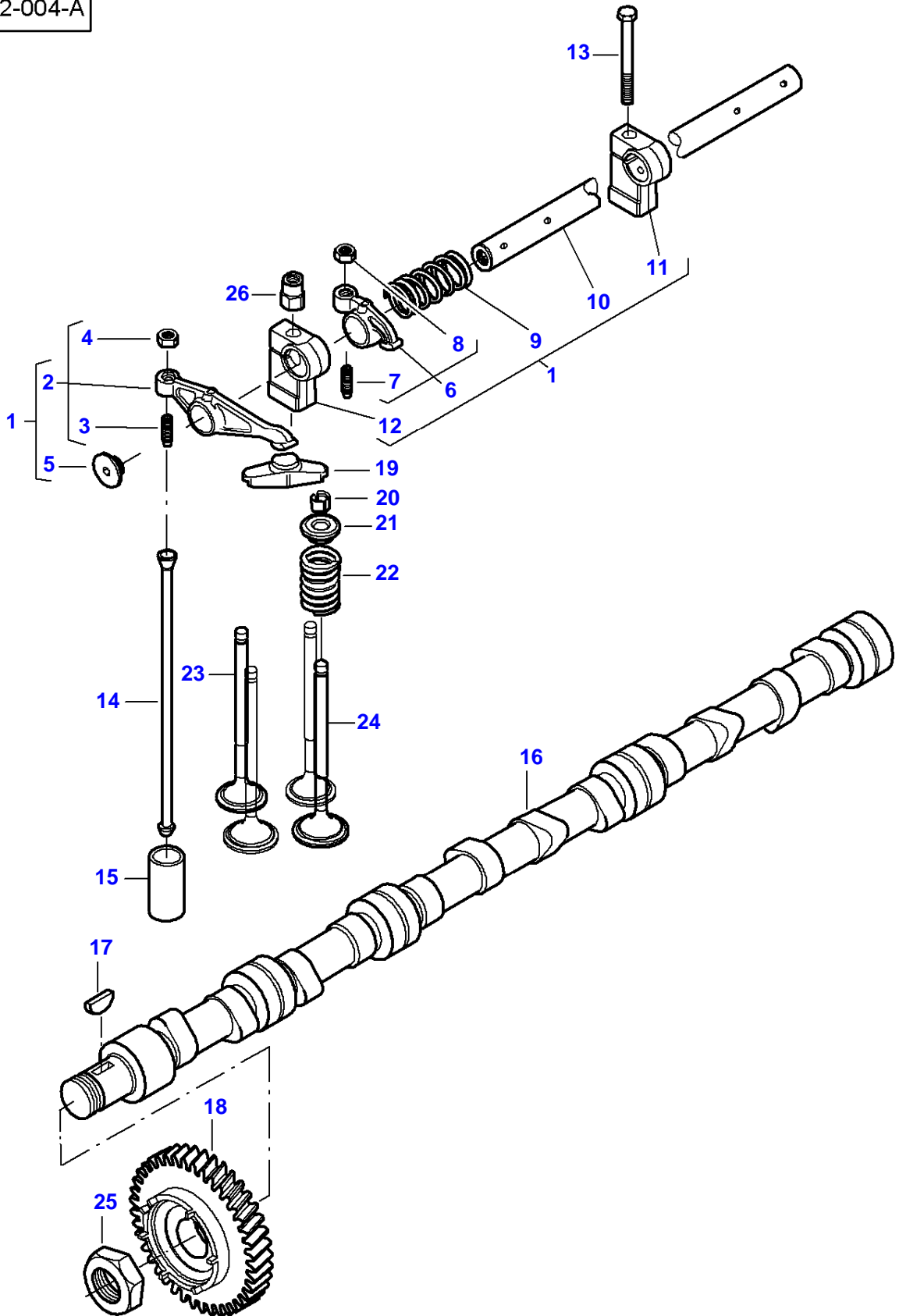
1-WH02-022-A



Crankshaft, Pistons & Connecting Rods

Item	Part Number	Qty	Description	Comments
1	V837069089	1	Crankshaft	Up to Serial or Engine Number X01488
	V837073985	1	Crankshaft	From Serial or Engine Number X01489
2	V836855525	1	Key	
3	V837073229	6	Piston	Up to Serial or Engine Number X13057
	V837074082	6	Piston	From Serial or Engine Number X13058
4		6	Piston Pin	(3) Not serviced,order REF. 3
5		12	Circlip	(3) Not serviced,order REF. 3
6	V836640078	6	Kit, Piston Ring	(3) Up to Serial or Engine Number X13057
	V837079460	6	Kit, Piston Ring	(3) From Serial or Engine Number X13058
7	V836840928	1	Kit, Conrod	
	V836666430	6	Conrod	1935-1954g F
	V836666431	X	Conrod	1955-1974g V
	V836666432	X	Conrod	1975-1994g X
	V836666433	X	Conrod	1995-2014g Y
	V836666434	X	Conrod	2015-2034g W
	V836666435	X	Conrod	2035-2054g Z
	V836666436	X	Conrod	2055-2074g G
8	V836864141	12	Screw Special	(7) TORX E18
9	V836110646	6	Bearing Bush	(7)
10	V836110552	6	Conrod Bearing	STANDARD Diameter 67,981MM 68,000MM
	V836112762	X	Conrod Bearing	Diameter 67,731MM 67,750MM
	V836112763	X	Conrod Bearing	Diameter 67,481MM 67,500MM
	V836112765	X	Conrod Bearing	Diameter 66,981MM 67,000MM
	V836112767	X	Conrod Bearing	Diameter 66,481MM 66,500MM
11	V836840944	7	Main Bearing	STANDARD Diameter 89,985MM 90,020MM
	V836840978	X	Main Bearing	Diameter 89,735MM 89,770MM
	V836840979	X	Main Bearing	Diameter 89,485MM 90,520MM
	V836840980	X	Main Bearing	Diameter 88,985MM 89,020MM
	V836840981	X	Main Bearing	Diameter 88,485MM 88,520MM
12	V836840945	1	Thrust Washer	STANDARD
	V836840982	X	Thrust Washer	Thickness 0,1MM
	V836840983	X	Thrust Washer	Thickness 0,2MM
13	V836855558	1	Gear,Crankshaft	
14	V837069060	1	Gear	Up to Serial or Engine Number X01488
	V837074434	1	Gear,Crankshaft	From Serial or Engine Number X01489
15	V836855637	1	Ring	
16	V837070178	1	Hub	
17	V528702220	6	Hex Cap Screw	
18	V837070177	1	Damper	
19	V836322221	1	Nut	Up to Serial or Engine Number X01488 M33 x 2
	V836847641	1	Nut	From Serial or Engine Number X01489 M33 x 1.5
20	V836867660	1	Pulley	
21	V836879152	1	Main Bearing	

1-WH22-004-A



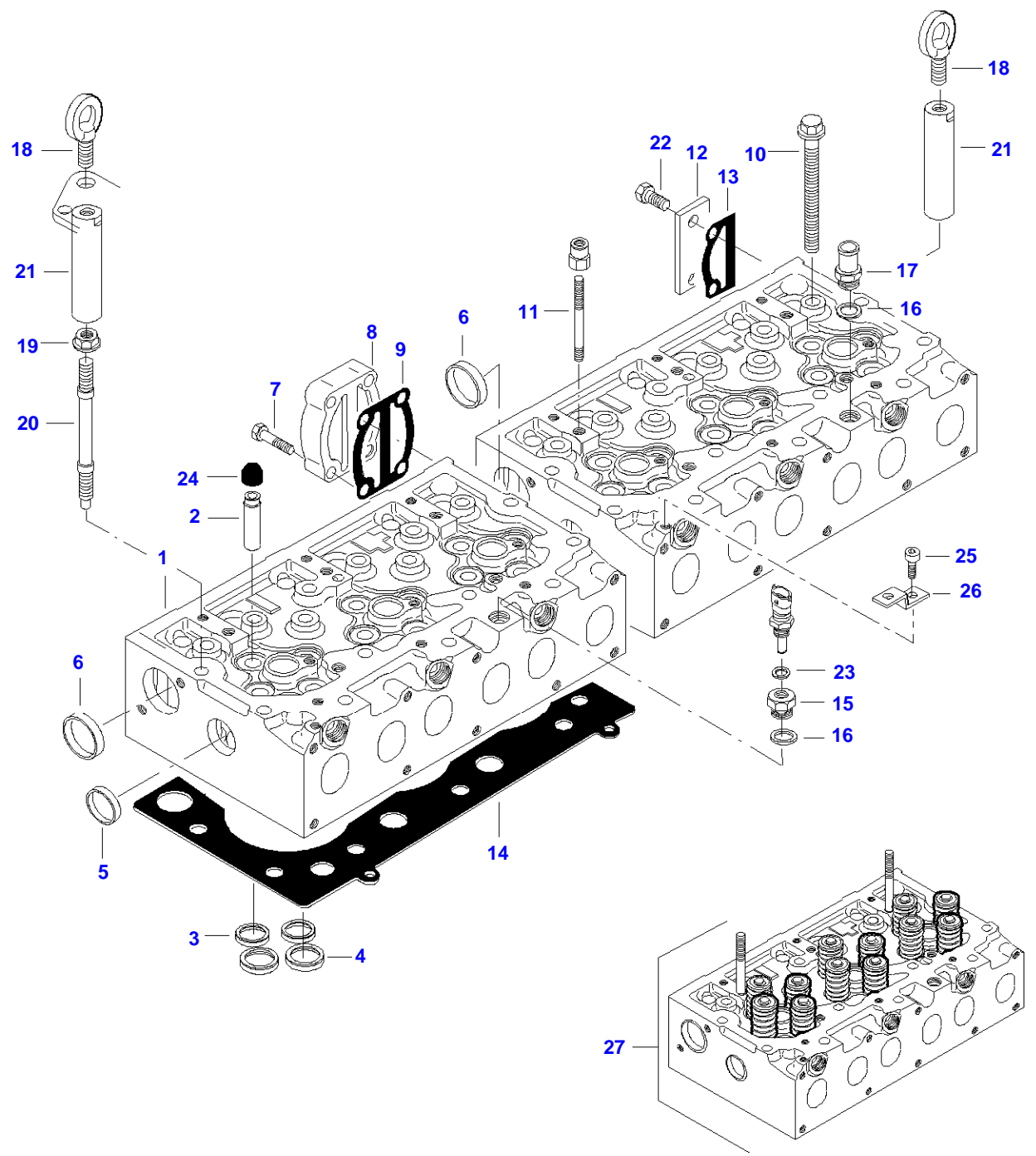
Valve Mechanism And Camshaft

Item	Part Number	Qty	Description	Comments
1	V837069016	2	Rocker Shaft Ass	
2	V837069011	6	Rocker Arm	[A] (1)
3	V837069023	6	Adjusting Screw	(2)
4	V512861000	6	Nut	(2)
5	V837069020	4	Plug	(1)
6	V837069013	6	Rocker Arm	[B] (1)
7	V837069023	6	Adjusting Screw	(6)
8	V512861000	6	Nut	(6)
9	V837069019	4	Spring	(1)
10	V837069015	2	Shaft	(1)
11	V837069018	2	Bracket	(1)
12	V837069017	4	Bracket	(1)
13	V529801910	2	Hex Cap Screw	M10 X 80
14	V837070119	12	Pushrod	
15	V836014264	12	Tappet	
16	V837070148	1	Camshaft	
17	V603305760	1	Key	
18	V837070036	1	Gear,Camshaft	
19	V837073089	12	Guide	
20	V837064910	48	Cotter	
21	V837069004	24	Spring Seat	
22	V837069005	24	Spring	
23	V837069002	12	Exhaust Valve	
24	V837069003	12	Inlet Valve	
25	V837069085	1	Nut	
26	V836655406	4	Nut	

FOOTNOTE [A] FOR VALVE INLET

FOOTNOTE [B] FOR VALVE EXHAUST

1-WH03-021-A



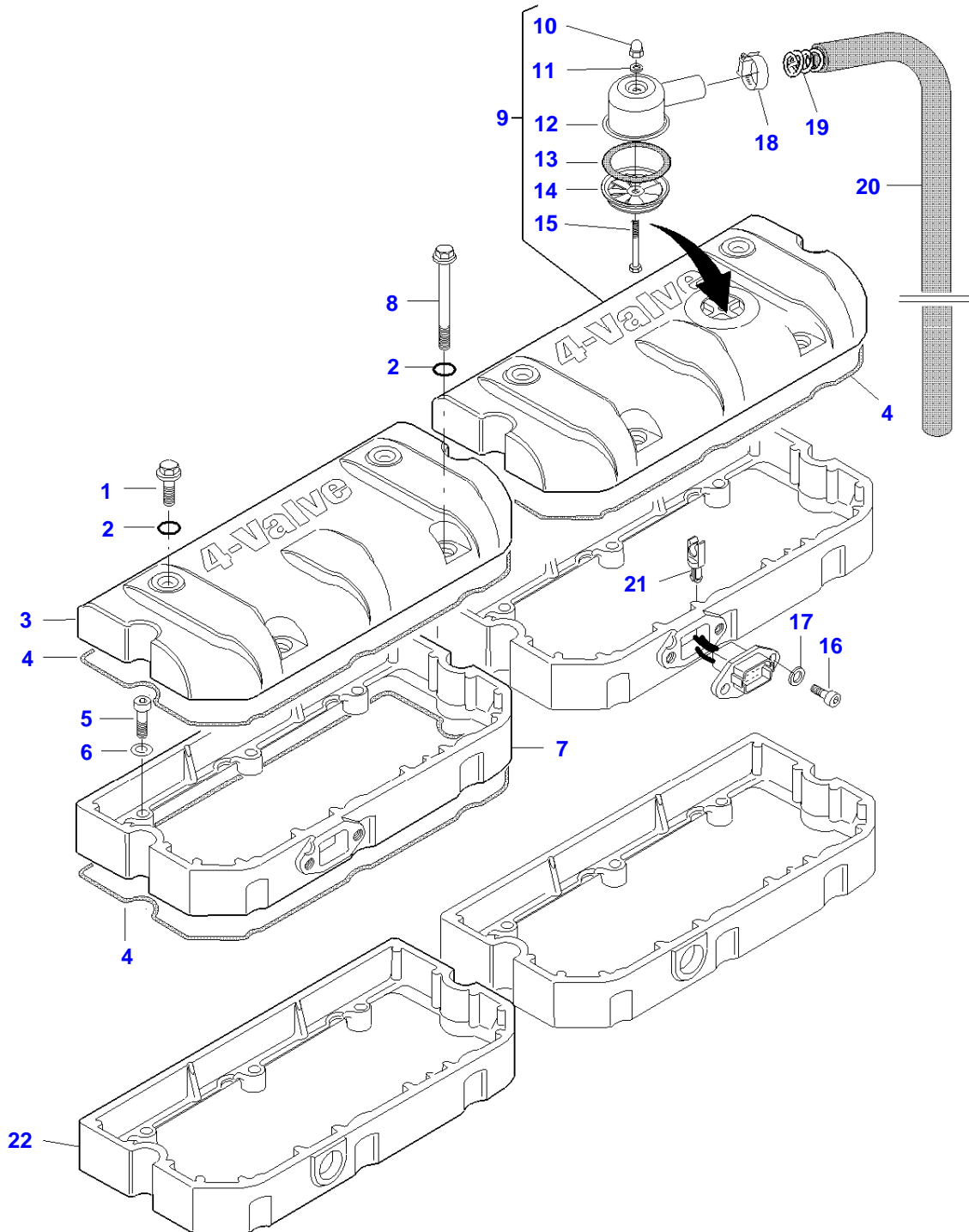
Cylinder Head

Item	Part Number	Qty	Description	Comments
1		2	Cylinder Head	Not serviced,order ref. 27
2	V837073174	24	Valve Guide	(1)
3	V837064907	12	Valve Seat	[B] (1)
	V837070187	X	Valve Seat	Diameter + 0.20 MM
4	V837064908	12	Valve Seat	[A] (1)
	V837070188	X	Valve Seat	Diameter + 0.20 MM
5	V836647942	4	Plug	(1)
6	V640016045	2	Plug	(1)
7	V528801830	4	Hex Cap Screw	M10 X 40
8	V836855348	1	Joint Piece	
9	V836867752	1	Gasket	
10	V837069025	31	Stud	
11	V546801900	4	Stud	M10 X 75
12	V836855350	1	Cover	
13	V836867753	1	Gasket	
14	V837070290	2	Head Gasket	
15	V836119643	1	Male Coupler	
16	V615881822	2	Sealing Washer	
17	V836119837	1	Union	
18	V836640752	2	Eye	
19	V836859110	3	Nut	
20	V836859109	3	Stud	
21	V836867567	1	Extension	M12/M16 Length
	V837067791	2	Extension	Length 136 MM
22	V528801800	2	Hex Cap Screw	M10 X 25
23	V615881418	1	Sealing Washer	
24	V837073165	24	Gasket	
25	V528801360	1	Hex Cap Screw	M8 X 16
26	V836747849	1	Support	
27	V837073233	2	Cylinder Head	

FOOTNOTE [A] FOR VALVE INLET

FOOTNOTE [B] FOR VALVE EXHAUST

1-WH23-017-A



Buy Now



Our support email:

ebooklibonline@outlook.com