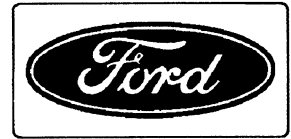


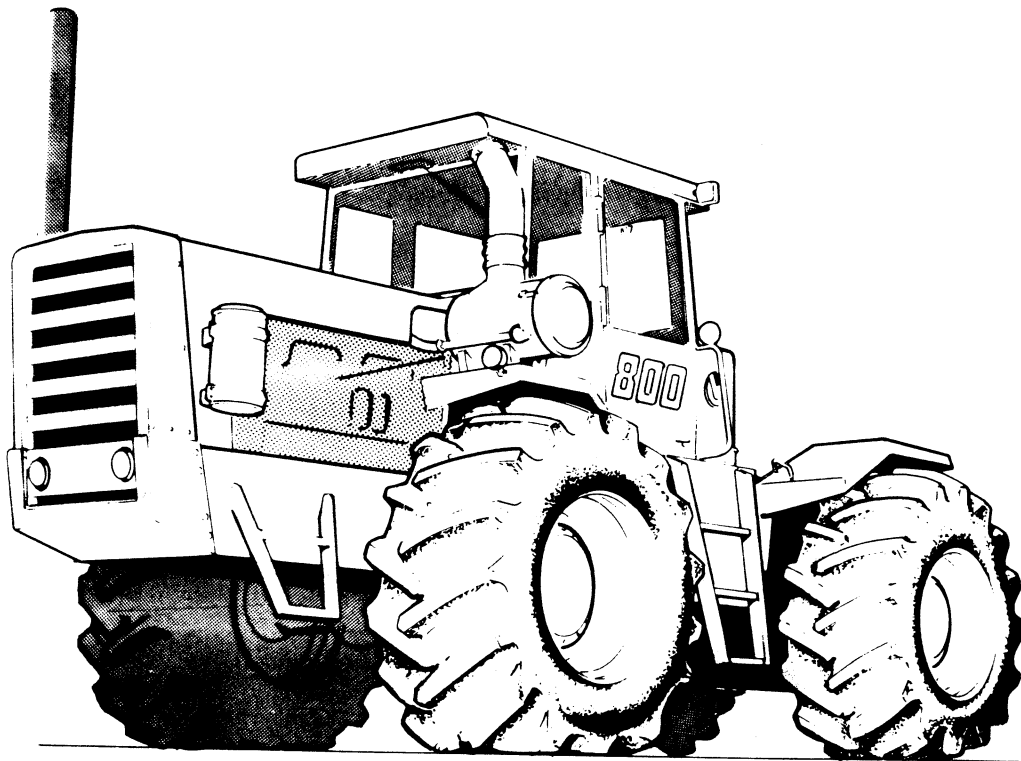
VERSATILE

Operator's Manual



4 Wheel Drive Tractor
800-850

1972-1973



Reprinted

INTRODUCTION

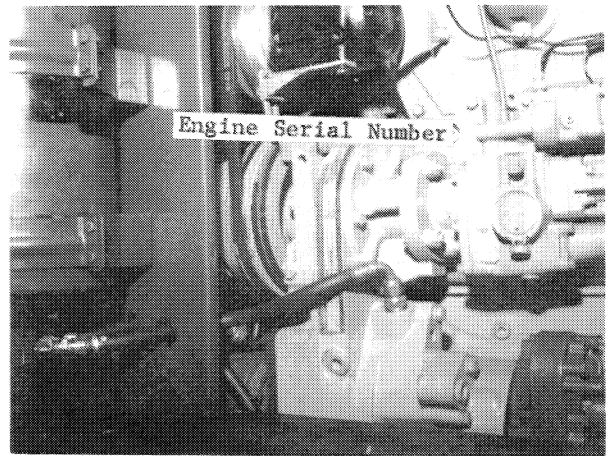
Your new Versatile 4 Wheel Drive Tractor has been designed with the idea of the ultimate in operator comfort safety and handling ease.

To minimize down time it is imperative that regular maintenance as outlined in this manual be followed through at required periods. It is therefore important that this manual be studied thoroughly before unit is put into operation.

A Cummins Operation and Maintenance Manual is supplied with every Versatile tractor. The manual contains instructions for the operator that will enable him to get the best service from his engine. Before placing the unit in operation, become familiar with procedures described in the engine manual.

With due care and maintenance the maximum in trouble free service can be obtained from your Versatile Tractor.

TRACTOR IDENTIFICATION



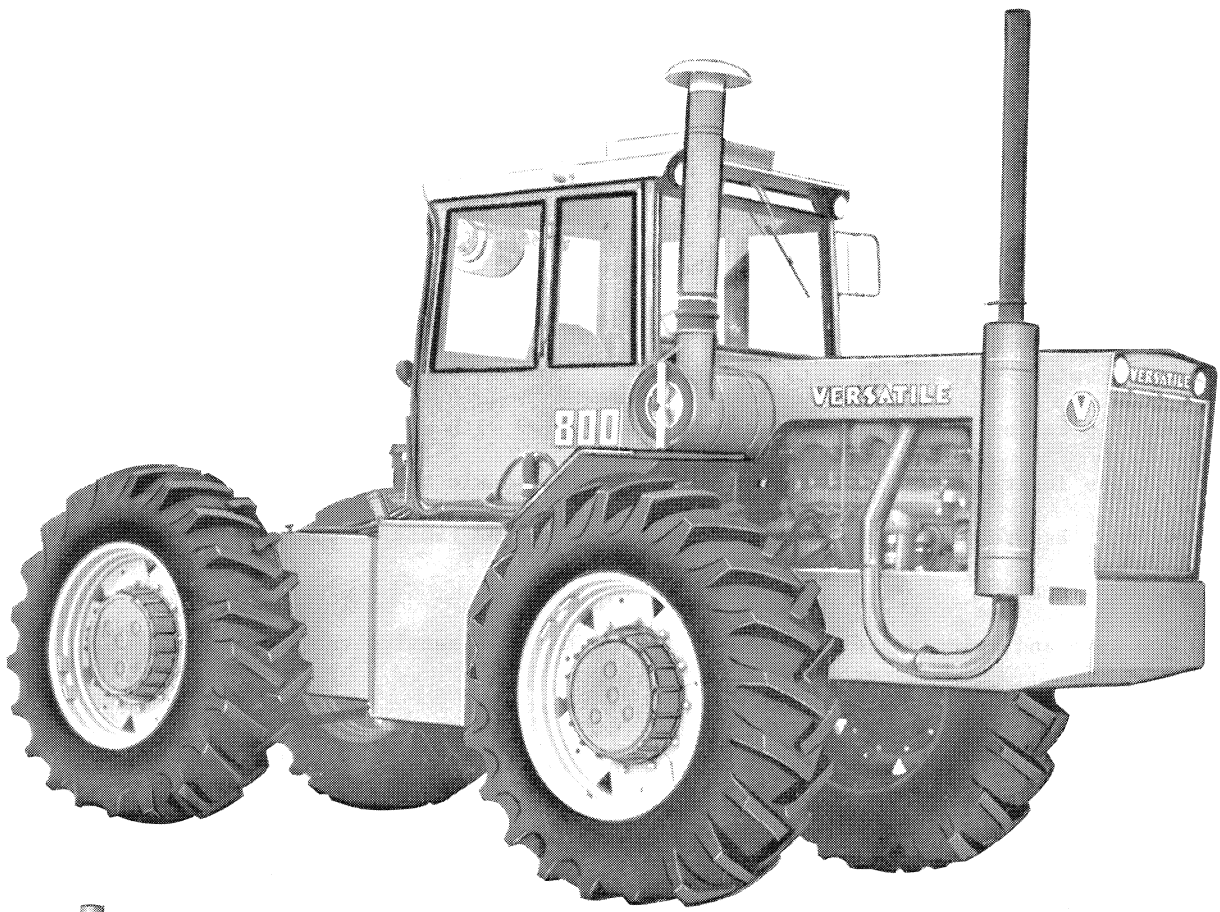
TRACTOR MODEL

TRACTOR SERIAL NUMBER

ENGINE MODEL

SERIAL NUMBER

Versatile reserves the right to make improvements on its product without incurring obligations to add them to any machine already in the field.





VERSATILE WARRANTY

VERSATILE MANUFACTURING LTD. (VERSATILE) warrants each item of new Versatile equipment sold by it to be free from defects in material and workmanship under normal use and service. The sole obligation of Versatile to the Dealer under this warranty is limited to repairing or replacing, as Versatile may elect, any part or parts that prove in Versatile's judgment to be defective in material or workmanship within one year after delivery to the original purchaser, under normal farm use. Such a defective part or parts will be replaced or repaired free of charge only to the original purchaser, such repair or replacement will be done at the location of the selling Versatile Dealer. Purchaser must give written notice to the Authorized dealer from whom equipment was purchased, of any claimed defect and the Dealer will have a reasonable time under the circumstances then existing to repair or replace said part or parts found to be defective.

NOTE: THE SOLE REMEDY OF THE PURCHASER FOR BREACH OF THIS WARRANTY IS THE REPAIR OR REPLACEMENT OF DEFECTIVE PARTS.

This warranty does not extend to the engine or tires on Versatile tractors which are manufactured by others, and which carry separate warranties from said manufacturers. There are no representations, warranties, or conditions express or implied, statutory or otherwise, except those herein contained and no agreement collateral otherwise, except those herein contained and no agreement collateral hereto shall be binding upon either party unless in writing hereon or attached hereto, signed by purchaser and accepted by Versatile at its head office.

Versatile's liability under this warranty is limited to the repairing or replacing of parts, as aforesaid, and Versatile shall in no event be liable to the Purchaser for consequential damages or loss of profits on crops sustained by it as a result of any defect in material or workmanship of any item of equipment covered by this warranty.

NOTE: THERE ARE NO WARRANTIES, EXPRESS OR IMPLIED, INCLUDING WARRANTIES OF MERCHANTABILITY OR FITNESS FOR A PARTICULAR PURPOSE BY VERSATILE OR ITS AUTHORIZED DEALER, REGARDING VERSATILE EQUIPMENT EXCEPT THE WARRANTY AGAINST DEFECTS IN MATERIAL OR WORKMANSHIP EXPRESSED HEREIN. NO PERSON IS AUTHORIZED TO BIND VERSATILE FOR ANY OTHER WARRANTY WHATSOEVER.



SAFETY PRECAUTIONS



The safety of the operator is one of the main concerns in the designing and development of Versatile Equipment. Our Engineering staff have built in as many safety features as possible. However, no accident prevention program can be successful without a safety conscious operator.

**REMEMBER—"SAFETY" IS ONLY A WORD UNTIL IT IS PUT INTO PRACTISE.
BECOME SAFETY CONSCIOUS WEAR YOUR VERSATILE SAFETY HARD HAT**

- 1.) Allow only responsible persons to operate tractor with no more than one person at a time on tractor and no one ever riding on drawbar.
- 2.) Driving slow-moving vehicles on highways can be dangerous, to increase operator safety, devices such as slow-moving vehicle signs should be used in conjunction with flashing warning lights, headlights and tail lights.
- 3.) Always keep brakes properly adjusted. Reduce road speeds before turning or using brakes.
- 4.) Never operate tractor engine in closed garage or shed. Never leave a running engine unattended.
- 5.) Make sure personnel are in a safe position before starting the engine or operating the Tractor.
- 6.) Be sure engine is shut off and the key is removed from the Fuel Solenoid Switch before working in the hinged area.
- 7.) Never refuel the Tractor when the engine is running. Do not smoke while filling the fuel tank or servicing the fuel system.
- 8.) Before making adjustments in the electrical system, disconnect the battery cables. This prevents sparks which create a dangerous fire hazard.
- 9.) Be sure to relieve all hydraulic pressure before disconnecting any lines or pipes on tractor hydraulic system.
- 10.) Always relieve pressure on cooling system by carefully turning radiator cap to its first position before removing cap.
- 11.) Platform and mounting step are made of steel with skid resistant surface for good traction. Keep these surfaces free of dirt and mud so they do not become slippery.
- 12.) Never stand between tractor and drawn implement when hitching without having controls in neutral and brakes locked.
- 13.) A good practice is to mount a dry chemical fire extinguisher on tractor in a convenient position. Become familiar with its operation and keep it properly charged.
- 14.) Avoid wearing loose clothing that can catch in moving parts or snag on projecting parts of tractor.
- 15.) Drive tractor at speeds slow enough to ensure safety especially over rough ground or near ditches. Never drive tractor too close to edge of a ditch or gully. Watch out for holes into which a wheel might drop and cause tractor to overturn.
- 16.) Always keep tractor in gear when going down steep hills or grades. When towing loads down hills, use a low gear and extreme caution in braking to prevent jackknifing. Similar braking cautions should be used when towing loads at road speed.
- 17.) Extreme caution should be used in rough terrain, in ditches (etc.) Avoid rapid turns at high speed. Uphill turns on slopes should be avoided.

OVERALL DIMENSIONS

WIDTH 24.5x32 - 97 1/4"
30.5x32 - 107 3/4"
18.4x38 duals - 90 1/2"
20.8x38 duals - 92.8"

OVERALL LENGTH 21 ft. 1 inch.

WHEELBASE 10 Ft. 10 inches.

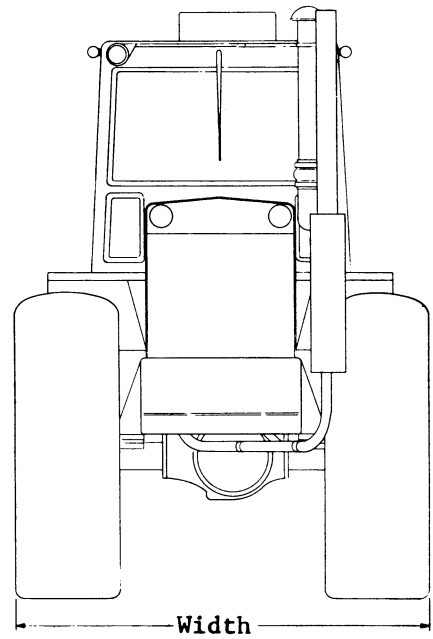
DRAWBAR HEIGHT 1 Ft. 6 inches

OVERALL HEIGHT

Ground to Air Pressurizer - 11 Feet

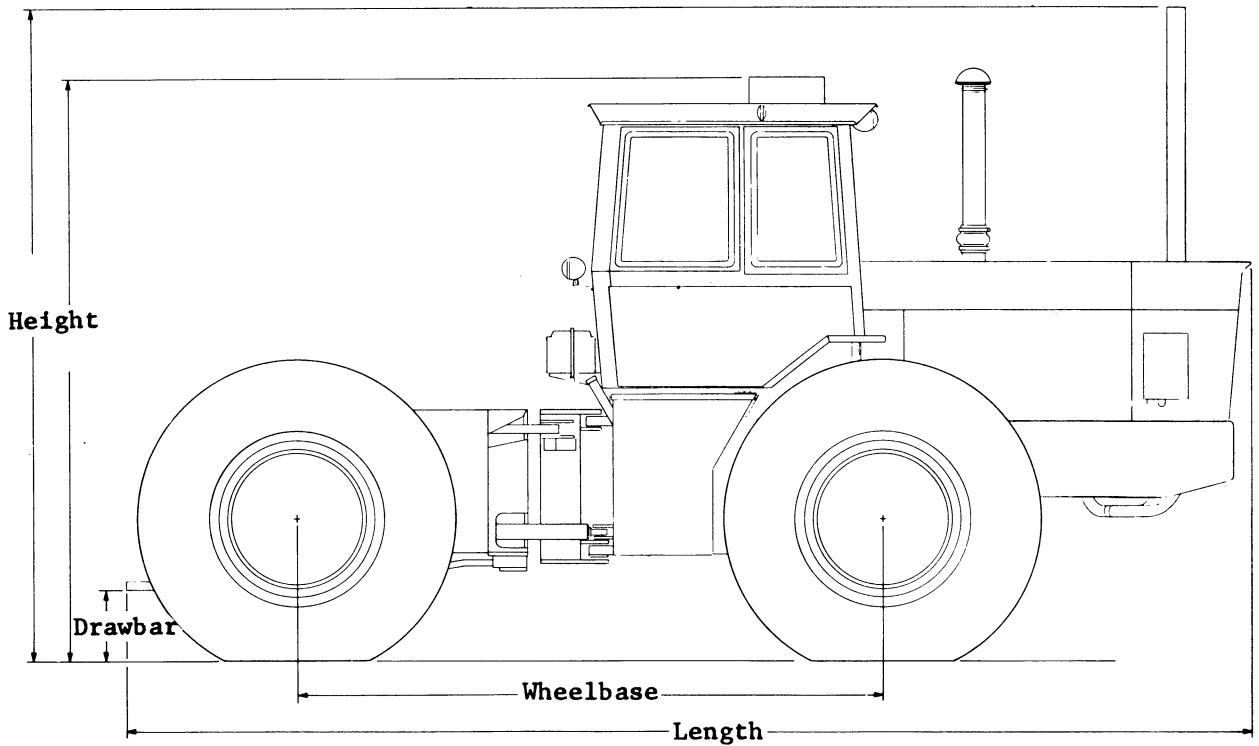
Ground to exhaust stack - 12 Feet

2 inches.



Different tire sizes affect tractor height negligibly.

OVERALL DIMENSIONS



Thank you so much for reading.
Please click the “Buy Now!”
button below to download the
complete manual.



After you pay.

You can download the most
perfect and complete manual in
the world immediately.

Our support email:

ebooklibonline@outlook.com