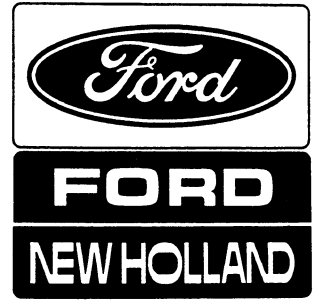


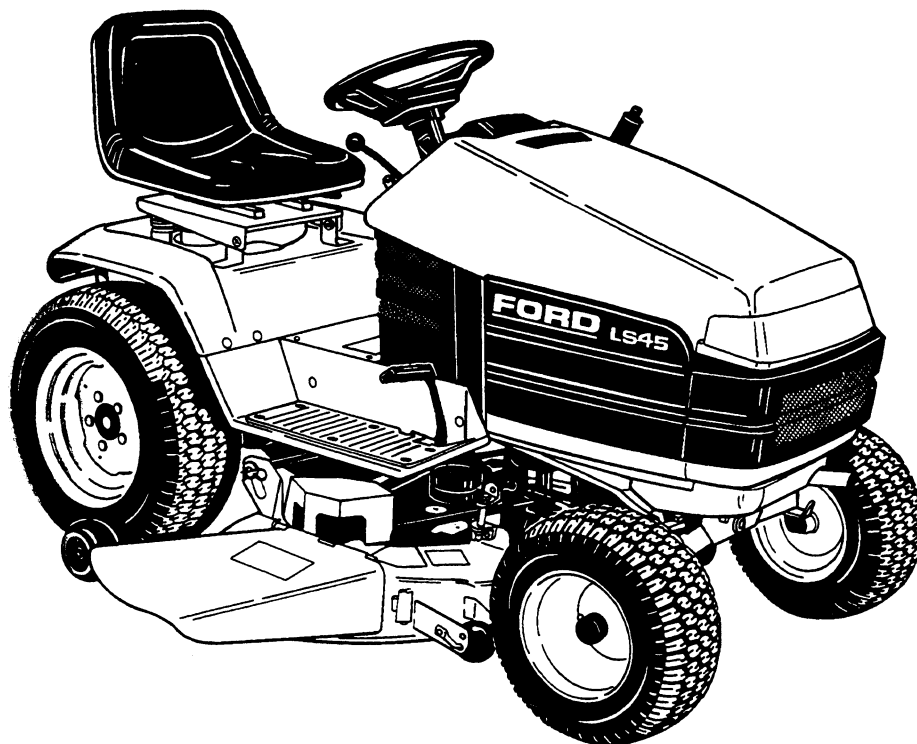
FORD



Operator's Manual

LS45-16G YARD TRACTOR

Models 9861899



42644510

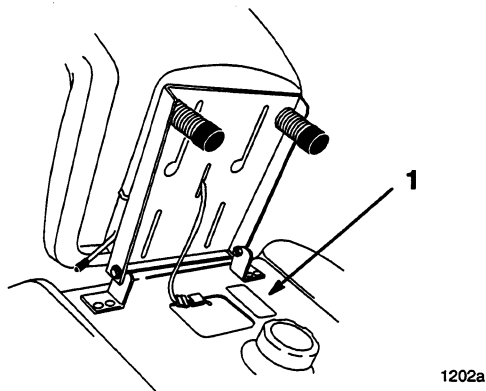
Reprinted

Introduction

Thank you for purchasing a Ford product.


All of us at Ford New Holland want you to be completely satisfied with your new product, so feel free to contact your local Authorized Service Dealer for help with service, genuine replacement parts, or other information you may require.

Whenever you contact your Authorized Service Dealer or the factory, always know the model and serial numbers of your product. These numbers will help the Service Dealer or Service Representative provide exact information about your specific product. You will find the model and serial number plate located in a unique place on the product as shown below.



1. Model and Serial Number Plate (under the seat)

For your convenience, write the product model and serial numbers in the space below.

 NEW HOLLAND	
MODEL NO.	SERIAL NO.
COMPONENT	
FORD NEW HOLLAND INC.	
<small>MADE IN U.S.A.</small>	

Read this manual carefully to learn how to operate and maintain your product correctly. Reading this manual will help you and others avoid personal injury and damage to the product. Although we design, produce and market safe, state-of-the-art products, you are responsible for using the product properly and safely. You are also responsible for training persons, who you allow to use the product, about safe operation.

The warning system in this manual identifies potential hazards and has special safety messages that help you and others avoid personal injury, even death. DANGER, WARNING and CAUTION are signal words used to identify the level of hazard. However, regardless of the hazard, be extremely careful.

DANGER signals an extreme hazard that will cause serious injury or death if the recommended precautions are not followed.

WARNING signals a hazard that may cause serious injury or death if the recommended precautions are not followed.

CAUTION signals a hazard that may cause minor or moderate injury if the recommended precautions are not followed.


Two other words are also used to highlight information. "Important" calls attention to special mechanical information and "Note" emphasizes general information worthy of special attention.

The left and right side of the machine is determined by sitting on the seat in the normal operator's position.

Contents

	Page		Page
Safety	2	Positioning the Seat	15
Safe Operating Practices	2	Headlights	15
Slope Chart	5	Positioning the Tilt Steering Wheel	15
Safety and Instruction Decals	7	Maintenance	16
Gasoline and Oil	8	Service Interval Chart	16
Recommended Gasoline	8	Air Cleaner	17
Stabilizer/Conditioner	8	Engine Oil	19
Filling the Fuel Tank	8	Spark Plug	21
Check Engine Oil Level	8	Greasing and Lubrication	22
Operation	9	Tire Pressure	23
Think Safety First	9	Brake	24
Controls	9	Fuel Tank	25
Parking Brake	9	Fuel Filter	26
Starting and Stopping the Engine	10	Front Wheel Toe-In	27
Operating the Power Take Off (PTO)	11	Fuse	28
The Safety Interlock System	11	Headlights	29
Indicator Control Module	12	Battery	30
Hourmeter	12	Wiring Diagram	33
Driving Forward or Backward	13	Cleaning and Storage	34
Selecting Ground Speeds	13	Troubleshooting	35
Stopping the Machine	13	Warranty	Back Page
Attachment Lift Lever	14	Owner Assistance	Inside Back Cover
Adjusting Dial-A-Height	14		

Safety

This machine meets or exceeds the B71.1–1990 specifications of the American National Standards Institute, in effect at the time of production. However, improper use or maintenance by the operator or owner can result in injury. To reduce the potential for injury, comply with these safety instructions and always pay attention to the safety alert  symbol, which means CAUTION, WARNING, or DANGER—“personal safety instruction.” Failure to comply with the instruction may result in personal injury or death.

Safe Operating Practices

This product is capable of amputating hands and feet and throwing objects. Always follow all safety instructions to avoid serious injury or death.

WARNING

POTENTIAL HAZARD

- **Engine exhaust contains carbon monoxide, which is an odorless, deadly poison.**

WHAT CAN HAPPEN

- **Carbon monoxide can kill you and is also known to the State of California to cause birth defects.**

HOW TO AVOID THE HAZARD

- **Do not run engine indoors or in an enclosed area.**

General Operation

1. Read, understand, and follow all instructions in the operator's manual and on the machine before starting.
2. Allow only responsible adults who are familiar with the instructions to operate the machine.
3. Clear the area of objects such as rocks, toys, wire, etc., which could be picked up and thrown by the blade.
4. Be sure the area is clear of other people before mowing. Stop the machine if anyone enters the area.
5. Never carry passengers.
6. Do not mow in reverse unless absolutely necessary. Always look down and behind before and while backing.
7. Be aware of the mower discharge direction and do not point it at anyone. Do not operate the mower without either the entire grass catcher or the guard in place.
8. Slow down before turning. Sharp turns on any terrain may cause loss of control.
9. Never leave a running machine unattended. Always turn off blades, set parking brake, stop engine, and remove key before dismounting.
10. Turn off blades when not mowing.
11. Keep hands, feet, hair and loose clothing away from attachment discharge area, underside of mower and any moving parts while engine is running.
12. Stop the engine before removing the grass catcher or unclogging the chute.

13. Mow only in daylight or good artificial light.
14. Do not operate the machine while under the influence of alcohol or drugs.
15. Watch for traffic when operating near or crossing roadways.
16. Use extra care when loading or unloading the machine onto a trailer or truck.
17. Do not touch equipment or attachment parts which may be hot from operation. Allow to cool before attempting to maintain, adjust or service.

Slope Operation

Slopes are a major factor related to loss-of-control and tip-over accidents, which can result in severe injury or death. All slopes require extra caution. If you cannot back up the slope or if you feel uneasy on it, do not mow it.

DO

- Mow up and down slopes greater than 5°, not across.
- Mow downhill only on slopes above 10°, never mow uphill. If a steep slope must be ascended, back up the hill, and drive forward down the hill, keeping the machine in gear.
- Remove obstacles such as rocks, tree limbs, etc. from the mowing area. Watch for holes, ruts or bumps, as uneven terrain could overturn the machine. Tall grass can hide obstacles.
- Use slow speed. Choose a low gear so that you will not have to stop or shift while on the slope.
- Follow the manufacturer's recommendations for wheel weight or counterweights to improve stability.
- Use extra care with grass catchers or other attachments. These can change the stability of the machine.

- Keep all movement on slopes slow and gradual. Do not make sudden changes in speed or direction.
- Avoid starting or stopping on a slope. If tires lose traction, disengage the blades and proceed slowly straight down the slope.

DO NOT

- Do not operate machine on hillsides or slopes exceeding 15°.
- Avoid turning on slopes. If you must turn, turn slowly and gradually downhill, if possible.
- Do not mow near drop-offs, ditches, or embankments. The machine could suddenly turn over if a wheel goes over the edge of a cliff or ditch, or if an edge caves in.
- Do not mow on wet grass. Reduced traction could cause sliding.
- Do not try to stabilize the machine by putting your foot on the ground.
- Do not use a grass catcher on steep slopes. Heavy grass bags could cause loss of control or overturn the machine.

Children

Tragic accidents can occur if the operator is not alert to the presence of children. Children are often attracted to the machine and the mowing activity. Never assume that children will remain where you last saw them. The following requirements must be followed to prevent injury to children.

1. Keep children out of the mowing area and under the watchful care of another responsible adult.
2. Be alert and turn the machine off if children enter the area.
3. Before and while backing, look behind and down for small children.
4. Never carry children. They may fall off and be seriously injured or interfere with safe machine operation.
5. Never allow children to operate the machine.
6. Use extra care when approaching blind corners, shrubs, trees, the end of a fence or other objects that may obscure vision.

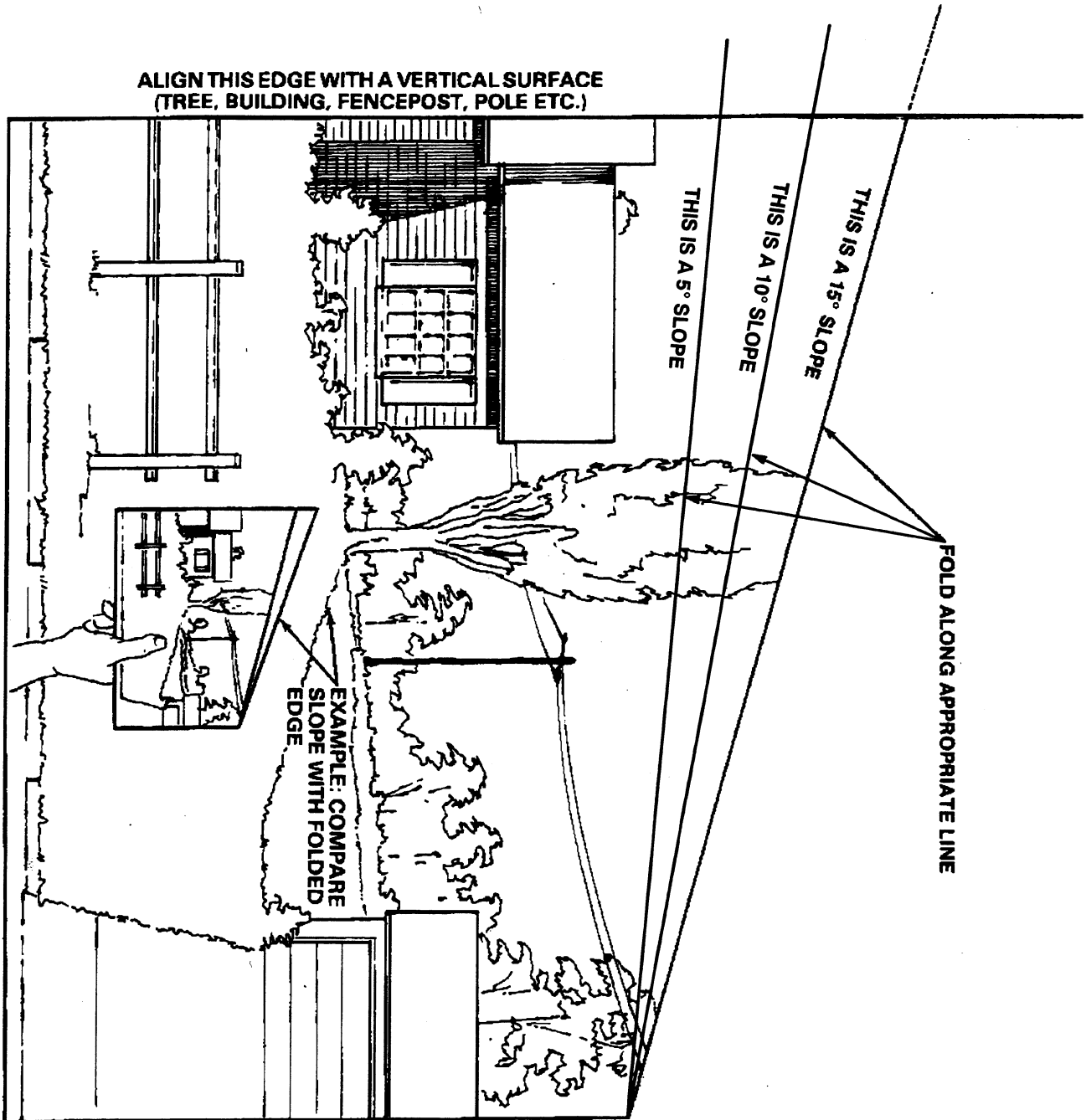
Service

1. Stop the engine and disconnect spark plug wire(s) before performing any service, repairs, maintenance or adjustments.
2. Use extra care when handling gasoline and other fuels. They are flammable and vapors are explosive.
 - A. Use only an approved container.
 - B. Never remove the gas cap or add fuel when the engine is running. Allow the engine to cool before refueling. Do not smoke.
 - C. Never refuel the machine indoors.
 - D. Never store the machine or fuel container inside where there is an open flame, such as near a water heater or furnace.
3. Never run a machine inside a closed area.

4. Keep nuts and bolts tight, especially the blade attachment bolts. Keep equipment in good condition.
5. Never tamper with safety devices. Check safety systems for proper operation before each use.
6. Keep the machine free of grass, leaves, or other debris build-up. Clean up oil or fuel spillage. Allow the machine to cool before storing.
7. Stop and inspect the equipment if you strike an object. Repair, if necessary, before restarting.
8. Grass catcher components are subject to wear, damage and deterioration, which could expose moving parts or allow objects to be thrown. Frequently check components and replace with manufacturer's recommended parts, when necessary.
9. Mower blades are sharp and can cut. Wrap the blade(s) or wear gloves, and use extra caution when servicing them.
10. Use only genuine replacement parts to ensure that original standards are maintained.
11. Check brake operation frequently. Adjust and service as required.
12. Battery acid is poisonous and can cause burns. Avoid contact with skin, eyes and clothing. Protect your face, eyes and clothing when working with a battery.
13. Battery gases can explode. Keep cigarettes, sparks and flames away from battery.

Slope Chart

Read all safety instructions on pages 2-4.



Safety and Instruction Decals



Safety decals and instructions are easily visible to the operator and are located near any area of potential danger. Replace any decal that is damaged or lost.

**ON STEERING TOWER
(Part No. TR93D0301)**

⚠ DANGER

TO AVOID SERIOUS INJURY OR DEATH,
 • READ AND UNDERSTAND THE OPERATOR'S MANUAL.
 • KNOW LOCATION AND FUNCTION OF CONTROLS.
 • NEVER USE WHEN UNDER THE INFLUENCE OF ALCOHOL OR DRUGS.
 • USE SAFELY. MACHINE IS NOT A TOY; NEVER LET CHILDREN OPERATE.
 • GO UP AND DOWN SLOPES, NOT ACROSS.
 • AVOID SHARP OR SUDDEN TURNS AND SLIPPERY OR STEEP AREAS.
 • IF MACHINE STOPS GOING UPHILL, STOP BLADE AND BACK SLOWLY DOWN.
 • NEVER MOW WHEN CHILDREN OR OTHERS ARE IN THE MOWING AREA.
 • NEVER CARRY CHILDREN OR OTHER PASSENGERS.
 • LOOK DOWN AND BEHIND BEFORE AND WHILE BACKING UP.
 • KEEP SAFETY DEVICES IN PLACE AND WORKING; CHECK BEFORE EACH USE.
 • SAFETY INTERLOCKS CAN FAIL; NEVER ASSUME BLADE IS STOPPED.
 • STOP ENGINE, SET PARKING BRAKE AND REMOVE KEY IF LEAVING MACHINE.
 • REMOVE OBJECTS THAT COULD BE THROWN BY THE BLADE.

(P) **PARKING BRAKE**

ON
OFF

TO SET
DEPRESS BRAKE PEDAL
AND LIFT LEVER

TO RELEASE
DEPRESS BRAKE PEDAL.

92-8346

**ON FRAME STEP
(Part No. TR92D8946)**

⚠ DANGER

• ROTATING BLADES CAN CUT OFF ARMS AND LEGS.
 • NEVER MOW WHEN CHILDREN ARE NEAR.
 • NEVER CARRY RIDERS; THEY FALL OFF.

92-8346

**ON LEFT AND RIGHT
FRAMES
(Part No. TR79D6730)**

**INSTALL MOWER BELT
IN TOP PTO PULLEY**

- USE LOWER PULLEY FOR SNOWTHROWER/EXTREME LOW CUT ONLY.
- SEE OPERATOR'S MANUAL.

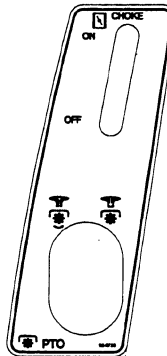
79-6730

**ON SPEED
CONTROL LEVER
(Part No. TR92D6759)**

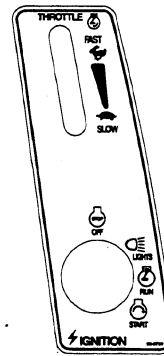
PUSH IN FOR REVERSE

92-6759

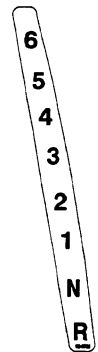
**ON DASH
LEFT SIDE
(Part No. TR92D6738)**



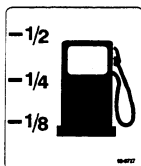
**ON DASH
RIGHT SIDE
(Part No. TR92D6739)**



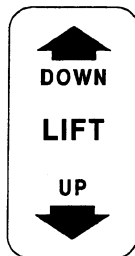
**ON DASH
RIGHT SIDE
(Part No. TR92D6722)**



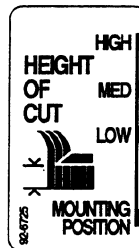
**ON FRAME
CENTER REAR
(Part No. TR92D6727)**



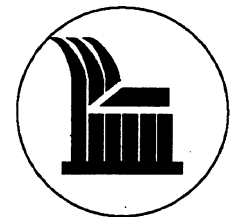
**ON LIFT LEVER
(Part No. TR112168)**



**ON FRAME STEP
(Part No. TR92D6725)**



**ON DIAL-A-HEIGHT KNOB
(Part No. TR78D9740)**



Thank you so much for reading.
Please click the “Buy Now!”
button below to download the
complete manual.



After you pay.

You can download the most
perfect and complete manual in
the world immediately.

Our support email:

ebooklibonline@outlook.com