

# **NEW HOLLAND**

## **42" Side Discharge Mower**

For  
LS Yard Tractors  
Model No.  
715698001 – T7K0001 & Up

# **OPERATOR'S MANUAL**



**NEW HOLLAND**

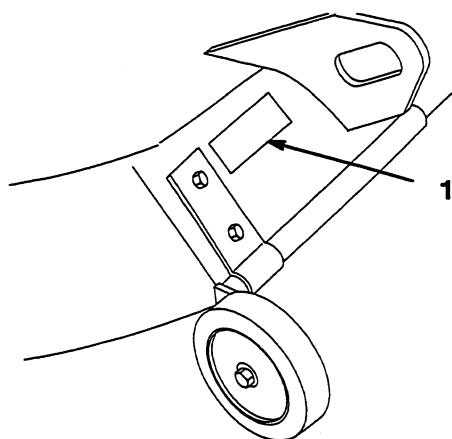
**SERVICE**

# Introduction

Thank you for purchasing a New Holland product.

All of us at New Holland want you to be completely satisfied with your new product, so feel free to contact your local Authorized Service Dealer for help with service, genuine replacement parts, or other information you may require.


Whenever you contact your Authorized Service Dealer or the factory, always know the model and serial numbers of your product. These numbers will help the Service Dealer or Service Representative provide exact information about your specific product. You will find the model and serial number plate located in a unique place on the product as shown below.



m-3622

1. Model and Serial Number Plate

For your convenience, write the product model and serial numbers in the space below.

 <b>NEW HOLLAND</b>	
MODEL NO.	SERIAL NO.
<b>COMPONENT</b>	
<b>NEW HOLLAND NORTH AMERICA, INC.</b>	
<small>MADE IN U.S.A.</small>	

The warning system in this manual identifies potential hazards and has special safety messages that help you and others avoid personal injury, even death. **DANGER**, **WARNING** and **CAUTION** are signal words used to identify the level of hazard. However, regardless of the hazard, be extremely careful.

**DANGER** signals an extreme hazard that will cause serious injury or death if the recommended precautions are not followed.

**WARNING** signals a hazard that may cause serious injury or death if the recommended precautions are not followed.

**CAUTION** signals a hazard that may cause minor or moderate injury if the recommended precautions are not followed.

Two other words are also used to highlight information. "Important" calls attention to special mechanical information and "Note" emphasizes general information worthy of special attention.

The left and right side of the machine is determined by sitting on the seat in the normal operator's position.

# Contents

	<b>Page</b>		<b>Page</b>
Safety and Instruction Decals .....	2	Attachment Lift Lever .....	11
Assembly .....	3	Attachment Power Lift .....	11
Loose Parts .....	3	Adjusting Dial-A-Height .....	12
Installing Grass Deflector .....	4	Adjusting Anti-Scalp Rollers .....	12
Install Rear and Adjustable Links .....	5	Adjusting Gage Wheels .....	13
Installing the Mower .....	5	Tips for Mowing Grass .....	14
Transport Height Adjustment .....	6	Maintenance .....	15
Side-to-Side Mower Leveling .....	7	Service Interval Chart .....	15
Front-to-Rear Blade Slope .....	8	Cutting Blade .....	16
Removing the Mower .....	9	Greasing and Lubrication .....	18
Operation .....	10	Blade Drive Belt .....	18
Side Discharge .....	10	Storage .....	19
Operating the Power Take Off (PTO) .....	10	Troubleshooting .....	20

## Safety and Instruction Decals

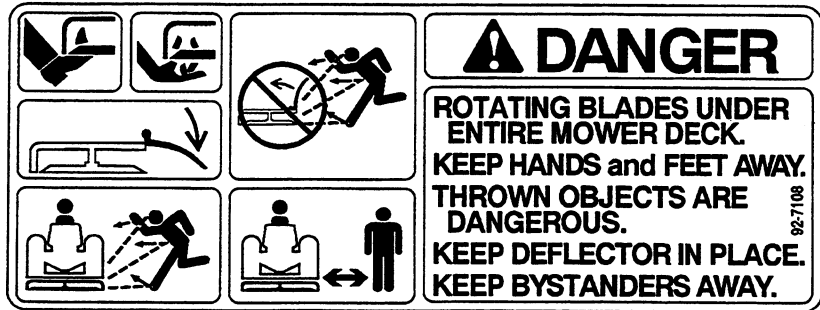


Safety decals and instructions are easily visible to the operator and are located near any area of potential danger. Replace any decal that is damaged or lost.

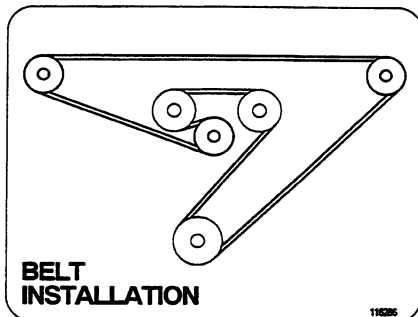
**ON GRASS DEFLECTOR  
(Part No. TR93D1122)**



**ON MOWER LEFT AND  
RIGHT SIDES  
(Part No. TR92D7108)**



**ON MOWER RIGHT SIDE  
(Part No. TR116286)**



# Assembly

## Loose Parts

**Note:** Use the chart below to identify parts used for assembly.

DESCRIPTION	QTY.	USE
Grass deflector	1	Install grass deflector
Torsion spring	1	
Washer (1/2")	1	
Cotter pin (3/4")	1	
Plastic washer	2	
Rubber bushing	1	
Jam nut (3/8"-16)	1	
Rear link	1	Install rear link
Washer (1/2")	2	
Cotter pin (1")	1	
Hairpin cotter (2-9/16")	1	
Adjustable link	1	Install front link to mower
Washer (1/2")	2	
Cotter pin (1")	1	
Hairpin cotter (2-9/16")	1	
V belt	1	Install mower to tractor
Hairpin cotter (3-3/8")	2	
Washer (3/4")	2	
Operator's Manual	1	Read before operating

## Installing Grass Deflector

1. Locate items shown in Fig. 1.
2. Place spring short end into small hole in the grass deflector.
3. Position spring and grass deflector over post on rear of deck and secure with 1/2" washer and 3/4" cotter pin (Fig. 1).
4. Slide rubber bushing and plastic washer over stud at front of mower.
5. Place grass deflector over stud and secure with second plastic washer and 3/8" jam nut (Fig. 1).

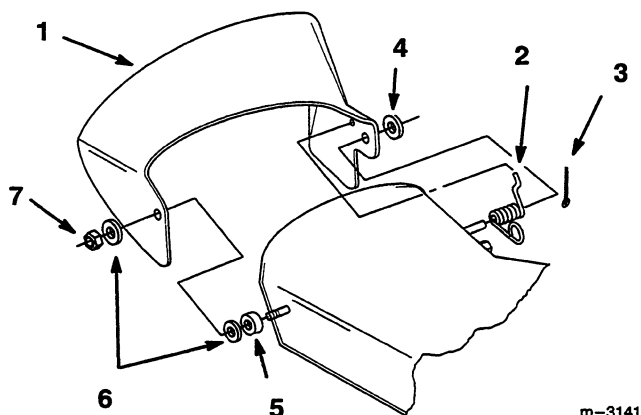


Figure 1

- |                    |                   |
|--------------------|-------------------|
| 1. Grass deflector | 5. Rubber bushing |
| 2. Spring          | 6. Plastic washer |
| 3. Cotter pin 3/4" | 7. Jam nut 3/8"   |
| 4. Washer 1/2"     |                   |

**IMPORTANT: Grass deflector must be spring loaded in the down position. Lift chute up to test that it snaps to the full down position.**

## DANGER

### POTENTIAL HAZARD

- Without the grass deflector, discharge cover, or complete grass catcher assembly mounted in place, you and others are exposed to blade contact and thrown debris.

### WHAT CAN HAPPEN

- Contact with rotating mower blade(s) and thrown debris will cause injury or death.

### HOW TO AVOID THE HAZARD

- NEVER remove the grass deflector from the mower because the grass deflector routes material down toward the turf. If the grass deflector is ever damaged, replace it immediately.
- Never put your hands or feet under the mower.
- Never try to clear discharge area or mower blades unless you move the power take off (PTO) to "OFF" and rotate the ignition key to "OFF." Also remove the key and pull the wire off the spark plug(s).

Thank you so much for reading.  
Please click the “Buy Now!”  
button below to download the  
complete manual.



After you pay.

You can download the most  
perfect and complete manual in  
the world immediately.

Our support email:

[ebooklibonline@outlook.com](mailto:ebooklibonline@outlook.com)