

VERSATILE

Operator's Manual



FORD

NEWHOLLAND

Tractor Attachments

150

1980



43015010

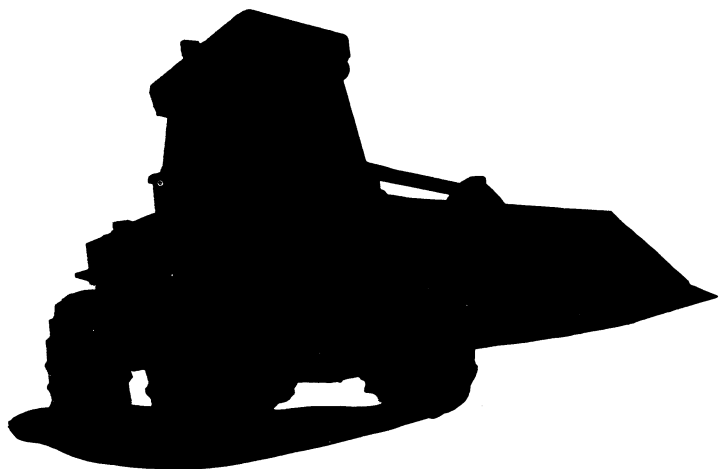
Reprinted

Table of Contents

 **VERSATILE***

150 Attachments

1	Safety	3
2	Grapple Fork and Round Bale Handler	4
3	Hay and Manure Fork, Manure Tines	8
4	Scraper Blade	12
5	Lubrication and Maintenance	17
6	Parts	20
7	Index	27



*Trademark of Versatile Cornat Corporation
*Registered Trademark of Versatile Cornat Corporation
© Copyright 1980 Versatile Cornat Corporation

 3M/X/PRINTED IN CANADA

PU5017

AUGUST 1980

Introduction

We at Versatile Manufacturing Company are pleased you have chosen a 150 tractor attachment to complement your farming operation.

The attachments are designed and manufactured to our rigid specifications for ease of operation and maintenance. Properly maintained, the attachments will provide years of dependable service.

Carefully follow all assembly, operation and maintenance procedures outlined in the manual for maximum operating efficiency of the attachments.

All directions; front, rear, left and right are as seen with the engine in the rear of the tractor.

Use the parts catalog to ensure you have been supplied with all the necessary parts for the assembly.

If some parts are missing, or if you need additional parts, your Versatile dealer is ready to serve you.



1 SAFETY

According to National Safety Council statistics, many people die or suffer serious injury each year as a result of needless farm accidents. Don't become a statistic.

Develop safe work habits. Put SAFETY FIRST in all farm operations.

ASSEMBLY SAFETY

1. Prepare a clear work area with a firm, level surface.
2. Have at least two people available for set-up or installation of the attachments.
3. Have a hoist or forklift with adequate lift capacity.
4. Ensure all hydraulic hoses and fittings are undamaged. Securely tighten all fittings and connections.
5. Wear gloves and goggles and use a piece of wood or cardboard when searching for hydraulic leaks. Escaping hydraulic oil under pressure can penetrate the skin, causing severe personal injury.

OPERATING SAFETY

1. Be familiar with all hydraulic controls and direction of operation before using equipment.
2. Operate all controls only from the operator's seat. Do not start tractor until all controls are in neutral.
3. Lower attachments to the ground when leaving tractor for any reason.
4. Never overload any attachment.
5. Never allow anyone to ride in bucket or any other attachment.
6. Avoid high speed turns when carrying a load.
7. Never stand or walk under a raised implement.
8. Never leave attachments in a raised position when not in use. Rupture of hydraulic hoses under pressure can cause collapse of bucket or related equipment.
9. Always travel at speeds recommended for safe tractor operation.

2 GRAPPLE FORK AND ROUND BALE HANDLER

Assembly

PREASSEMBLY

These procedures apply to set-up of all attachments.

The following instructions are based on the assumption that the tractor is already equipped with an assembled VERSATILE® 1250 or 1450 Agricultural Loader.

Do the following before assembling or installing any attachment to loader or tractor:

1. Select a cleared area with a level surface, large enough to accommodate tractor, loader and attachment.
 2. Have available a hoist or forklift with adequate lifting capacity.
 3. Provide support stands or blocks sturdy enough for weight of components.
 4. Have available the necessary tools to match the hardware as listed in the Parts Catalog.
 5. Have at least two people on hand to perform set-up and installation.
3. Center middle hole in each tooth over rear hole in bucket. Using rearmost hole in tooth as a template, mark a spot at the bucket rear where hole must be drilled.
 4. Drill a 9/16 in. (14 mm) dia hole on the spots previously marked. The distance from center point of the middle hole to center point of rear hole should be 11 in. (280 mm).
 5. Install each tooth to the two rear holes in bucket, with two spacers (20), two 1/2-13 UNC x 4 bolts (22), nuts (19) and lockwashers (21). Tighten all hardware.
 6. Raise loader bucket, remove support blocks. Set bucket flat on the ground.

UPRIGHT BRACKET INSTALLATION

1. Move upright bracket (7) into place behind bucket with hoist or forklift. Attach to lower brackets with two 5/8 x 5 bolts (17), nuts (14), lockwashers (15) and flatwashers (16).
2. Attach upright bracket (7) to upper mounting brackets with four 5/8 - 11 UNC x 4-1/2 bolts (12), nuts (10), lockwashers (11), and flatwashers (13).

MAINFRAME INSTALLATION

1. With hoist or forklift, move mainframe (2) into position over bucket and attach to upright bracket with two crosspins (8) and four cotterpins (9).

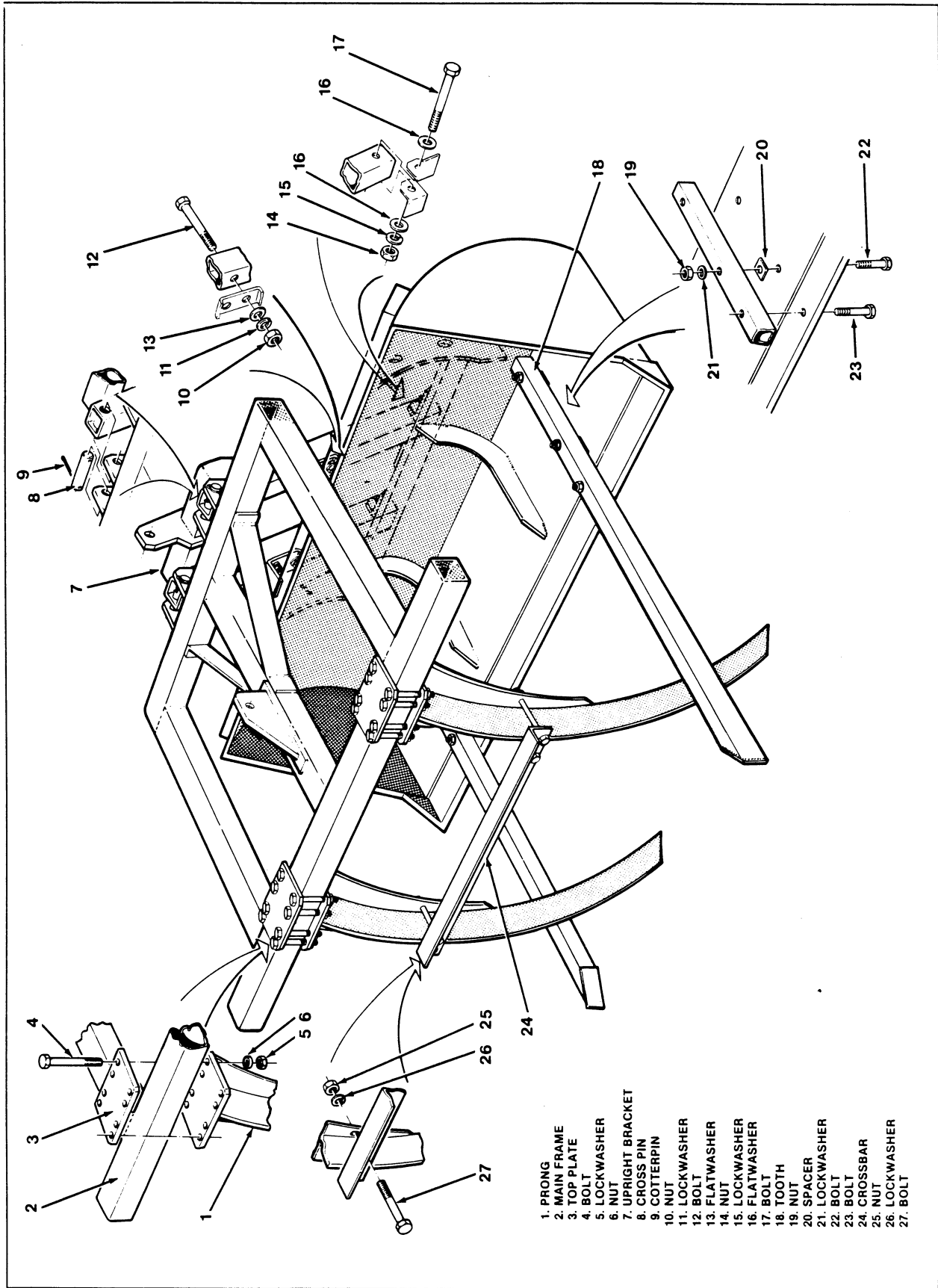
PRONG INSTALLATION

Round bale handler uses two prongs. Grapple fork uses four prongs.

1. Attach each prong (1) to main frame front bar with one top plate (3), eight 1/2 - 13 UNC x 4-1/2 bolts (4), nuts (6) and lockwashers (5).

TOOTH INSTALLATION (Round Bale Handler Only)

1. Raise loader bucket and set it on support blocks. Put hydrostatics in neutral, shut down tractor and remove key. Set parkbrake.
2. Install each tooth (18) to outermost front hole in bucket with 1/2 - 13 UNC x 4-1/2 bolt (23), nut (19) and lockwasher (21). Do not tighten (Figure 1).



- 1. PRONG
- 2. MAIN FRAME
- 3. TOP PLATE
- 4. BOLT
- 5. LOCKWASHER
- 6. NUT
- 7. UPRIGHT BRACKET
- 8. CROSS PIN
- 9. COTTER PIN
- 10. NUT
- 11. LOCKWASHER
- 12. BOLT
- 13. FLATWASHER
- 14. NUT
- 15. LOCKWASHER
- 16. FLATWASHER
- 17. BOLT
- 18. TOOTH
- 19. NUT
- 20. SPACER
- 21. LOCKWASHER
- 22. BOLT
- 23. BOLT
- 24. CROSSBAR
- 25. NUT
- 26. LOCKWASHER
- 27. BOLT

FIGURE 1: Grapple Fork and Round Bale Handler Assembly

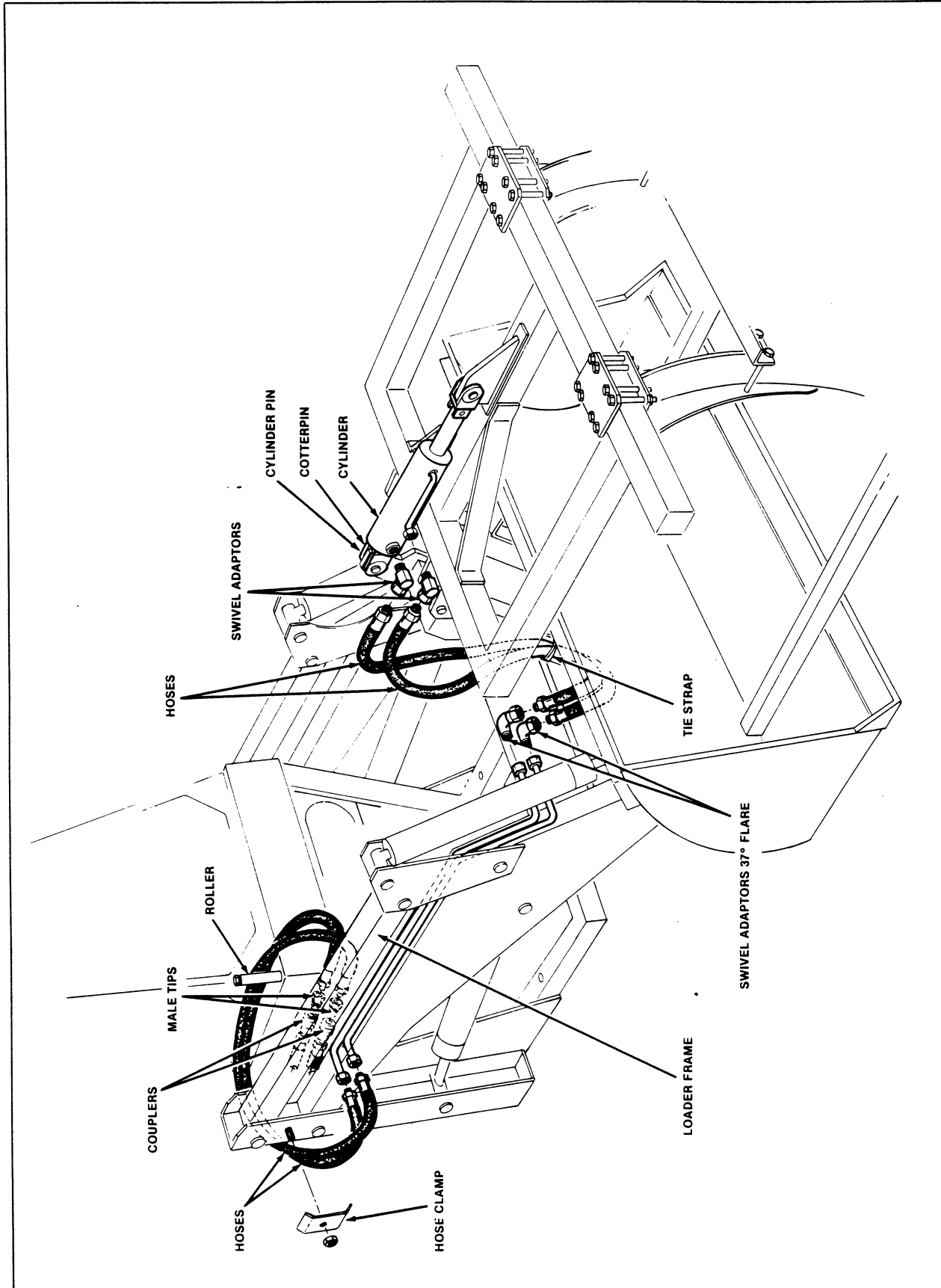


FIGURE 2: Hydraulics Installation

Thank you so much for reading.
Please click the “Buy Now!”
button below to download the
complete manual.



After you pay.

You can download the most
perfect and complete manual in
the world immediately.

Our support email:

ebooklibonline@outlook.com