

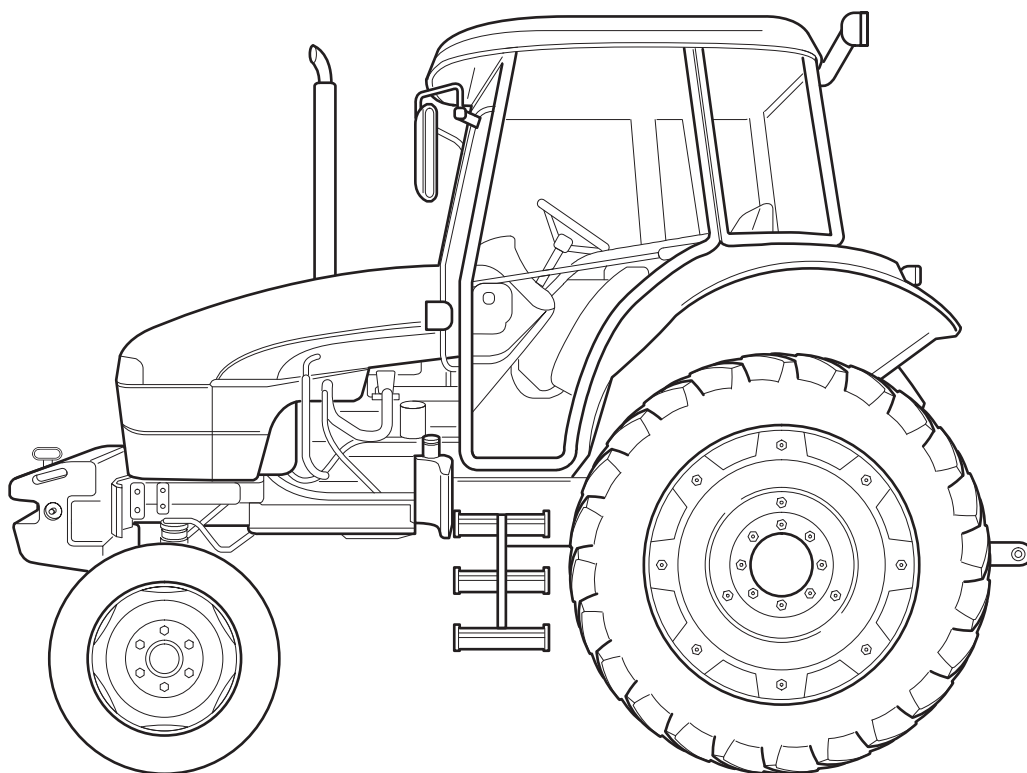
ORIGINAL INSTRUCTIONS - according to Directive 2006/42/EC, Annex I 1.7.4.1

# OPERATOR'S MANUAL

---

## TD5050 HC

Tractors



**Part Number 47376863**

1st edition English  
June 2012



## **SECTIONS**

The sections contained within this book are shown below.

**1 – Introduction and safety measures**

**2 – General information, controls and instruments**

**3 – Field Operations**

**4 – Lubrication and Maintenance**

**5 – Troubleshooting**

**6 – Vehicle Storage**

**7 – Accessories**

**8 – Specifications and Data**

**9 – First 50–Hour Service Forms**

**10 – Alphabetical Index**

### **Electro-magnetic Interference (EMC)**

This tractor complies with the European Regulations on electro-magnetic emissions. However, interference may arise as a result of add-on equipment which may not necessarily meet the required standards. As such interference can result in serious malfunction of the unit and/or create unsafe situations, you must observe the following:

- Ensure that each piece of non-New Holland equipment fitted to the tractor bears the CE mark.



- The maximum power of emission equipment (radio, telephones, etc.) must not exceed the limits imposed by the national authorities of the country where you use the tractor.
- The electro-magnetic field generated by the add-on system should not exceed 24 V/m at any time and at any location in the proximity of electronic components.

Failure to comply with these rules will render the New Holland warranty null and void.

# CE DECLARATION OF CONFORMITY DOCUMENT

Class of 2006/42/EC Annex B	BG	CZ	DA	DE	EL	EN
I.A.1	Декларация ЕС за съответствие (Class of 2006/42/EC)	Prohlášení o shodě ES (Prohlášení o shodě 2006/42/EC)	EU overensstemmelseserklæring (Erklæring om overensstemmelse 2006/42/EC)	EG-Konformitätserklärung (Erklärung zur Konformität 2006/42/EG)	Ελληνική Συμπλήρωση ΕΚ (Επιπλέον κείμενο σύμφωνα με 2006/42/ΕΚ)	DECLARATION OF CONFORMITY (Class of 2006/42/EC)
I.A.1	Норм. [1]	№1 [1]	№1 [1]	№1 [1]	Ερωτ. [1]	[1]
I.A.2	Представител на GlaxoSmithKline GmbH Europe Holding S.A., 24, Boulevard Royal, L-1499 Luxembourg	Zástupce společnosti GlaxoSmithKline GmbH Europe Holding S.A., 24, Boulevard Royal, L-1499 Luxembourg	repræsentant af GlaxoSmithKline GmbH Europe Holding S.A., 24, Boulevard Royal, L-1499 Luxembourg	vertreter der GlaxoSmithKline GmbH Europe Holding S.A., 24, Boulevard Royal, L-1499 Luxembourg	επιτελεστικός αντιπρόσωπος της GlaxoSmithKline GmbH Europe Holding S.A., 24, Boulevard Royal, L-1499 Luxembourg	[2]
I.A.3	Декларацията, по която ние, производителите, приемем отговорност за отговора на изискванията на настоящия документ	Prohlášení, na kterém jsme výrobci zodpovědní za odpověď na požadavky tohoto dokumentu	erklæring om, at vi som producenter accepterer ansvaret for vores opfyldelse af kravene i dette dokument	erklärung, unterzeichnet von mir, Hersteller, über die Erfüllung der Anforderungen dieses Dokuments	Επιβεβαιώνω, ότι εγώ, κατασκευαστής, φέρω την ευθύνη για την απόδοση των απαιτήσεων του παρόντος εγγράφου	[3]
I.A.4	Je souhlasím, že pokud bude tento dokument používán jako podklad pro vydání povolení k uvedení do oběhu, bude obsahovat následující údaje: • RO 20322 1 část 1 a 2 • Další podmínky uvedené v Manuálu de Utilizării a Montajului	Prohlášení implementuji a souhlasím s tím, že pokud bude toto prohlášení používáno jako podklad pro vydání povolení k uvedení do oběhu, bude obsahovat následující údaje: • RO 20322 1 část 1 a 2 • Další podmínky uvedené v Manuálu de Utilizării a Montajului	Erklæringen implementerer, og jeg er enig i, at hvis den bruges som grundlag for udstedelse af tilladelse til sætning i drift, skal den indeholde følgende oplysninger: • RO 20322 1 del 1 eller 2 • Andre betingelser, der er nævnt i brugervejledningen og monteringsvejledningen	Zur Erfüllung dieses Erklärungsformulars erkläre ich, dass ich, der Hersteller, zustimmende erkläre, dass wenn dieses Erklärungsformular als Grundlage für die Erteilung von Zulassungen verwendet wird, es folgende Angaben enthalten muss: • RO 20322 1 Teil 1 oder 2 • Andere Normen, die in der Gebrauchsanweisung und Montageanleitung angegeben sind	επιβεβαιώνω, ότι εγώ, κατασκευαστής, συμφωνώ να αποδεχτώ την ευθύνη για την απόδοση των απαιτήσεων του παρόντος εγγράφου, εάν αυτό χρησιμοποιείται ως βάση για την έκδοση άδειας για την εισαγωγή στην κυκλοφορία	[4]
I.A.5	Имя и подпись лица, ответственного за выпуск	Имя и подпись производителя	Navn og underskrift af den ansvarlige	Name und Unterschrift des Herstellers	Όνομα και υπογραφή του υπεύθυνου για την εισαγωγή στην κυκλοφορία	[5]
I.A.6	Represented by GlaxoSmithKline, CMI Europe Holding S.A., 24, Boulevard Royal, L-1499 Luxembourg	representado por GlaxoSmithKline, CMI Europe Holding S.A., 24, Boulevard Royal, L-1499 Luxembourg	repræsenteret af GlaxoSmithKline, CMI Europe Holding S.A., 24, Boulevard Royal, L-1499 Luxembourg	aufgetragen von GlaxoSmithKline, CMI Europe Holding S.A., 24, Boulevard Royal, L-1499 Luxembourg	επιτελεστικός αντιπρόσωπος της GlaxoSmithKline, CMI Europe Holding S.A., 24, Boulevard Royal, L-1499 Luxembourg	[6]
I.A.7	For the implementation of the provisions of the Directive, the following documents shall be made available to the user: • EN 20322 1 part 1 & 2 • Other standards as Operators Manual and date of the declaration [7]	Paša implementaciju ovog deklaracije, osiguravam da će biti dostupni korisniku sljedeći dokumenti: • EN 20322 1 dio 1 i 2 • Ostali standardi prema Operator Manual i datum izjave o deklaraciji [7]	Detteklæringen implementeres, og jeg sikrer, at følgende dokumenter vil være tilgængelige for brugeren: • EN 20322 1 del 1 og 2 • Andre standarder som Operator Manual og dato for erklæringen [7]	Zur Erfüllung dieser Bestimmungen erkläre ich, dass folgende Dokumente dem Benutzer zur Verfügung zu stellen: • EN 20322 1 Teil 1 und 2 • Weitere Standards wie Operator Manual und Datum der Konformitätserklärung [7]	Για την εφαρμογή των διατάξεων της Οδηγίας, συμφωνώ να διατείνω στον χρήστη τα ακόλουθα έγγραφα: • EN 20322 1 μέρος 1 & 2 • Άλλα πρότυπα, όπως το Μανuale di Utilizzazione e il Manuale di Installazione e la data della dichiarazione [7]	[7]
I.A.8	Name and signature of the authorized person [8]	Nombre y firma de la persona autorizada [8]	Navn og underskrift af den ansvarlige [8]	Name und Unterschrift des Verantwortlichen [8]	Όνομα και υπογραφή του υπεύθυνου [8]	[8]
I.A.9	GlaxoSmithKline	GlaxoSmithKline	GlaxoSmithKline	GlaxoSmithKline	GlaxoSmithKline	[9]



NEW HOLLAND

CMI Europe Holding S.A., 24, Boulevard Royal, L-1499 Luxembourg

DECLARATION OF CONFORMITY

DECLARATION OF CONFORMITY

DECLARATION OF CONFORMITY

DECLARATION OF CONFORMITY

DECLARATION OF CONFORMITY

DECLARATION OF CONFORMITY

DECLARATION OF CONFORMITY

DECLARATION OF CONFORMITY

DECLARATION OF CONFORMITY

DECLARATION OF CONFORMITY

DECLARATION OF CONFORMITY

DECLARATION OF CONFORMITY

DECLARATION OF CONFORMITY

DECLARATION OF CONFORMITY

DECLARATION OF CONFORMITY

DECLARATION OF CONFORMITY

DECLARATION OF CONFORMITY

DECLARATION OF CONFORMITY

DECLARATION OF CONFORMITY

DECLARATION OF CONFORMITY

DECLARATION OF CONFORMITY

On page III is provided copy of the “EC” Declaration of Conformity (EC Declaration of Conformity acc to 2006/42/EC).

The EC Declaration of Conformity is the manufacturer’s declaration about equipment compliance to relevant EU provisions.

Please keep the original document in a safe place. Local authorities may require you to show this document in order to assure compliance of your equipment.

Translation of this declaration in your own country language is provided on the original document.

For your better and easier understanding of the document you'll find original text reproduced hereafter together with some notes.

Clause of 2006/42/EC Annex II	<b>EN</b> <b>EC Declaration of Conformity</b> According to Directives 2006/42/EC
1.A.1	We, [1]
1.A.2	Represented by Giuseppe Gavioli, CNH Europe Holding S.A. 24, Boulevard Royal L-2449 Luxembourg
1.A.3	declare under our sole responsibility, that the product: Agricultural tractor Trade Name: [2] Model: [3] Type: [4] Serial Number: [5]
1.A.4	to witch this declaration relates, fulfills all the relevant provisions of Directives 2006/42/EC amended by: [6]
1.A.7	For the relevant implementation of the provisions of the Directives, the following (harmonised) standards have been applied: <ul style="list-style-type: none"> <li>• ISO 26322–1 part 1 or 2</li> <li>• Other standards: see Operator's Manual</li> </ul>
1.A.9	Place and date of the declaration: [7]
1.A.10	Name and signature of authorized person: [8]

#### HEALTH AND SAFETY RELATED STANDARDS APPLIED TO YOUR TRACTOR

- The cab FOPS (Falling Object Protection System) is not certified according to **OECD Code 10**
- HVAC (Heating Ventilation Air Conditioning ) CAB is certified **Category 1** according to **EN 15695–1**.

**METRIC AND IMPERIAL UNITS  
ABBREVIATIONS**

TYPICAL APPLICATIONS	RECOMMENDED SI (METRIC) UNITS		IMPERIAL UNIT	
	NAME	SYMBOL	NAME	SYMBOL
<b>AREA</b>				
Land area	hectare	ha	acre	ha
	square meter	m <sup>2</sup>	square foot	ft <sup>2</sup>
	square millimetre	mm <sup>2</sup>	square inch	in <sup>2</sup>
<b>ELECTRICITY</b>				
	ampere	A	ampere	A
	volt	V	volt	V
	microfarad	μF	microfarad	μF
	ohm	Ω	ohm	Ω
<b>FORCE</b>				
	kilonewton	kN	pound	lb
	newton	N	pound	lb
<b>FORCE PER LENGTH</b>				
	newton per metre	N/m	pound per inch	lb/in
<b>FREQUENCY</b>				
	megahertz	MHz	Megahertz	MHz
	kilohertz	kHz	kilohertz	kHz
	hertz	Hz	hertz	Hz
<b>FREQUENCY – ROTATIONAL</b>				
	revolution per minute	r/min	revolution per minute	r/min <sup>(a)</sup>
		rpm		rpm
<b>LENGTH</b>				
	kilometre	km	mile	mi
	meter	m	foot	ft
	centimetre	cm	inch	in
	millimetre	mm	inch	in
	micrometre	μm		
<b>MASS</b>				
	kilogram	kg	pound	lb
	gram	g	ounce	oz
	milligram	mg		

TYPICAL APPLICATIONS	RECOMMENDED SI (METRIC) UNITS		IMPERIAL UNIT	
	NAME	SYMBOL	NAME	SYMBOL
<b>POWER</b>				
	kilowatt	kW	horsepower	HpBtu per hour
	watt	W		Btu/hr Btu/min
<b>PRESSURE or STRESS (FORCE PER AREA)</b>				
	kilopascal	kPa	pound per square inch inch of mercury	psi inHg
	pascal	Pa	inch of water	inH <sub>2</sub> O
	megapascal	Mpa	pound per square inch	psi
<b>TEMPERATURE (other than THERMODYNAMIC)</b>				
	degrees Celsius	°C	degrees Fahrenheit	°F
<b>TIME</b>				
	hour	h	hour	h
	minute	min	minute	min
	second	s	second	s
<b>TORQUE (includes BENDING MOMENT, MOMENT OF FORCE, and MOMENT OF A COUPLE)</b>				
	newton meter	N m N m	pound foot pound inch	lb ft lb in
<b>VELOCITY</b>				
	kilometre per hour	km/h	mile per hour	mph
	meter per second	m/s	foot per second	ft/s
	millimetre per second	mm/s	inch per second	in/s
	meter per minute	m/min	foot per minute	ft/min
<b>VOLUME (includes CAPACITY)</b>				
	cubic meter	m <sup>3</sup>	cubic yard	yd <sup>3</sup> cu yd
	litre	l	cubic inch	in <sup>3</sup>
	litre	l	US gallon UK gallon US quart UK quart	US gal UK gal US qt UK qt
	millilitre	ml	fluid ounce	fl oz

TYPICAL APPLICATIONS	RECOMMENDED SI (METRIC) UNITS		IMPERIAL UNIT	
	NAME	SYMBOL	NAME	SYMBOL
<b>VOLUME PER TIME (includes DISCHARGE and FLOW RATE)</b>				
	cubic meter per minute	m <sup>3</sup> /min	cubic foot per minute	ft <sup>3</sup> /min
	litre per minute	l/min	US gallon per minute	US gal/min
	millilitre per minute	ml/min	UK gallon per minute	UK gal/min
<b>SOUND POWER LEVEL and SOUND PRESSURE LEVEL</b>				
	decibel	dB	decibel	dB



# CONTENTS

Title	Page
<b>CE DECLARATION OF CONFORMITY DOCUMENT</b> .....	II
<b>HEALTHY AND SAFETY RELATED STANDARTS APPLIED TO YOUR TRACTOR</b> .....	III
<b>Section 1 - Introduction and safety measures</b>	
To the owner .....	1-1
Tractor identification .....	1-3
Ecology and the environment .....	1-6
Safety messages used in this manual .....	1-7
Working safely .....	1-16
Safety decals .....	1-34
International symbols .....	1-40
<b>Section 2 - General information, controls and instruments</b>	
Safety covers and guards .....	1-38
Controls and instruments .....	2-2
Instrument panel .....	2-3
Instrument console controls .....	2-9
Right-hand side operating controls .....	2-9
Left-hand side operating controls .....	2-10
Cab controls .....	2-13
Seats .....	2-14
Cab .....	2-17
Cab air conditioning system .....	2-26
Transmission with range gear and shuttle- 30 km/h (19 mph) .....	2-30
Transmission with creeper and shuttle- 30 km/h (19 mph) .....	2-32
Mechanically controlled four wheel drive .....	2-34
Mechanically controlled differential lock .....	2-35
Towing the tractor .....	2-37
Loading the tractor onto a transporter .....	2-37
Checks before using the tractor .....	2-38
<b>Section 3 - Field Operations</b>	
Starting the engine with thermostart .....	3-2
Power take-off .....	3-4
Hydraulic lift .....	3-13
Three-point linkage Cat. II .....	3-17
Remote control valves .....	3-25
Wheel track adjustment .....	3-28
Tyres .....	3-31
Tyre combinations .....	3-34
Ballasting .....	3-36
Static weight distribution .....	3-50

---

<b>Section 4 – Lubrication and Maintenance</b>	
Access for inspection and maintenance	4–5
Lubrication and maintenance table	4–5
Flexible maintenance	4–8
When the warning light is on	4–9
10–hour / daily service	4–13
50–hour service	4–17
300–hour service	4–20
500/600–hour service	4–24
1200–hour service	4–26
1800–hour service	4–32
General maintenance	4–32
Electrical system	4–34
Recommendations for bodywork maintenance	4–41
Lubricant capacities and specifications	4–42
<b>Section 5 – Troubleshooting</b>	
Introduction	5–1
Engine	5–2
Electrical system	5–5
Hydraulic system	5–6
Three-point linkage	5–7
Brakes	5–8
Cab	5–8
<b>Section 6 – Vehicle Storage</b>	6–1
<b>Section 7 – Accessories</b>	
Beacon lamp	7–2
Drawbars and towing attachments	7–3
Hydraulic trailer brake	7–9
<b>Section 8 – Specifications and Data</b>	
General Dimensions	8–2
Weights	8–4
Engine specifications	8–5
Timing	8–6
Fuel system	8–6
Lubrication	8–7
Cooling system	8–7
Transmission	8–7
Power take-off	8–8
Hydraulic system	8–8
Three-point linkage	8–9
Front axle	8–9
Steering	8–10
4WD front axle	8–10
Brakes	8–11
Bodywork and driving position	8–11
Towing devices	8–11
Electrical system	8–12
<b>Section 9 – First 50–hour Service Forms</b>	9–1
<b>Section 10 – Alphabetical Index</b>	10–1

# SECTION 1

## INTRODUCTION AND SAFETY MEASURES

### TO THE OWNER

#### GENERAL

This Manual has been prepared to assist you in the correct procedure for running-in, driving and operating and for the maintenance of your new tractor. Read this Manual carefully. Your tractor is intended for use in normal and customary agricultural applications.

If at any time you require advice concerning your tractor, do not hesitate to contact your New Holland dealer. He has factory trained personnel, genuine manufacturers' parts and the necessary equipment to carry out all your service requirements.

Your tractor has been designed and built to give maximum performance, economy and ease of operation under a wide variety of operating conditions. Prior to delivery, the tractor was carefully inspected, both at the factory and by your dealer to ensure that it reaches you in optimum condition. To maintain this condition and ensure trouble-free operation, it is important that the routine services, as specified in Section 4 of this Manual, are carried out at the recommended intervals.

#### CLEANING THE TRACTOR

Your tractor is a state-of-the-art machine with user friendly controls. This should be borne in mind when cleaning the tractor, particularly if using a high pressure washer. Even though every precaution has been taken to safeguard electrical components and connections, the pressure generated by some of these machines is such that complete protection against water ingress cannot be guaranteed.

When using a high pressure washer, do not stand too close to the tractor and avoid directing the jet at electronic components, electrical connections, breathers, seals, filler caps, etc. Never direct a cold water jet at a hot engine or exhaust.

### SAFETY

Pages 1–7 to 1–22 inclusive list the precautions to be observed to ensure your safety and the safety of others. Read the safety precautions and follow the advice offered **before** operating the tractor.

#### FIRST 50 HOUR SERVICE

In Section 9, at the back of this Manual, you will find the 50-hour service reports.

After you have operated the tractor for 50 hours, take your tractor, together with this Manual, to your dealer. He will then perform the factory recommended 50-hour service and complete the service report sheets (pages 9–1 and 9–3). The first sheet (page 9–1) is the dealer's copy and should be removed by the dealer after the service has been carried out. The second sheet (page 9–3) is your copy of the service performed. **Ensure that you and the dealer sign both copies.**

#### SERVICE PARTS

It should be pointed out that genuine parts have been examined and approved by the Company. The installation and/or use of 'non-genuine' products could have negative effects upon the design characteristics of your tractor and thereby affect its safety. The Company is not liable for any damage caused by the use of 'non-genuine' parts and accessories. Only genuine replacement parts should be used. The use of non-genuine parts may invalidate legal approvals associated with this product.

It is prohibited to carry out any modifications to the tractor unless specifically authorised, in writing, by the After Sales Service department of the Company.

#### WARRANTY

Your tractor is warranted according to legal rights in your country and the contractual agreement with the selling dealer. No warranty shall, however, apply if the tractor has not been used, adjusted and maintained according to the instructions given in the Operator's Manual.

### ABOUT THIS MANUAL

This Manual gives information for use of this tractor, as intended and under the conditions foreseen by the manufacturer during normal operation and routine service and maintenance.

Normal operation means the use of the tractor for the purpose intended by the manufacturer by an operator familiar with the tractor and the mounted or towed equipment and complying with the information for operation and safe practices, as specified by the manufacturer in this Manual and by the signs on the tractor and the equipment.

Normal operation includes the preparation and storage of the tractor, swinging components into work position and vice versa, adding or removing ballast and picking up and setting off attachments.

Normal operation includes the adjustment and setting of the tractor and equipment, for the specific condition of the field and/or the crop

Routine service and maintenance means activities that must be done daily by an operator familiar with the tractor characteristics and complying with the information for routine service and safe practices, as specified by the manufacturer in this Manual and by signs on the tractor, in order to maintain its proper function. Routine service includes activities such as fueling, cleaning, washing, topping up fluid levels, greasing, replacing of consumable articles such as lamp bulbs

This Manual is not giving all the information related to periodical service, converting and repairs to be carried out by professional service personnel. For some of the latter activities, there may be a need for appropriate facilities, technical skills and tools which are not supplied with the tractor, please refer to your dealer or authorized workshop.

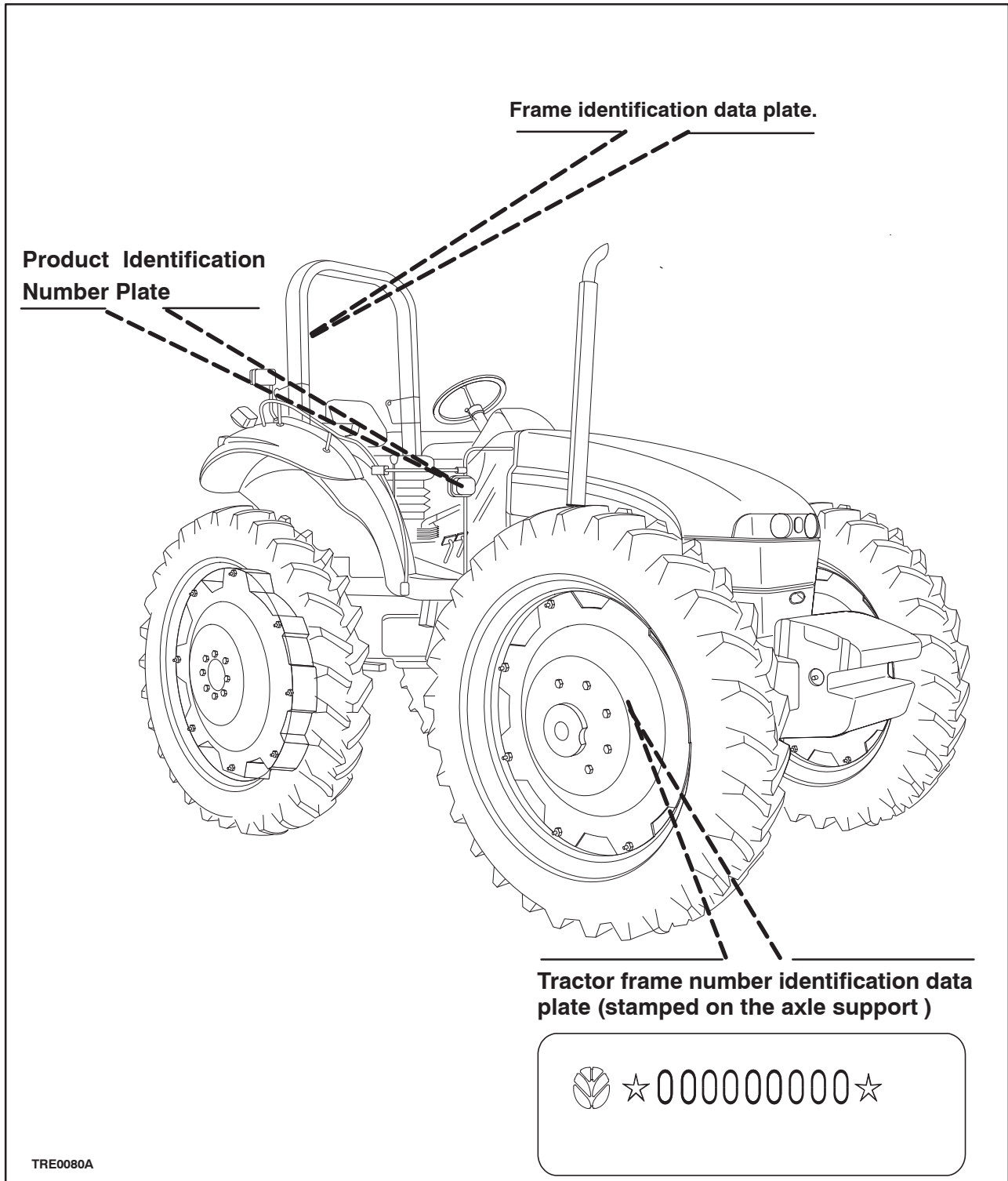
Periodical service means activities that must be done at defined intervals by trained personnel familiar with the tractor characteristics and which are complying with the information for periodical service and safe practices, as partly specified by the manufacturer in this Manual and in other Company literature, in order to maintain the expected life time of the tractor.

Converting means activities that must be done by professional service personnel familiar with the tractor characteristics and complying with the information for converting, as partly specified by the manufacturer in this Manual, in assembly instructions or in other Company literature, in order to fit the tractor to a specific configuration.

Repair means activities that must be done by professional service personnel only familiar with the tractor characteristics and complying with the information for repair, as specified by the manufacturer in the dealer's workshop Manual, in order to restore the proper function of the tractor after a failure or degradation of performance.

### TRACTOR IDENTIFICATION PLATES

Serial numbers identify the tractor and its main components. The identification data must be supplied by the dealer for requests for spare parts or service operations. Identification data is of fundamental importance in the event of theft of the tractor. The location of the various identification data is shown below.

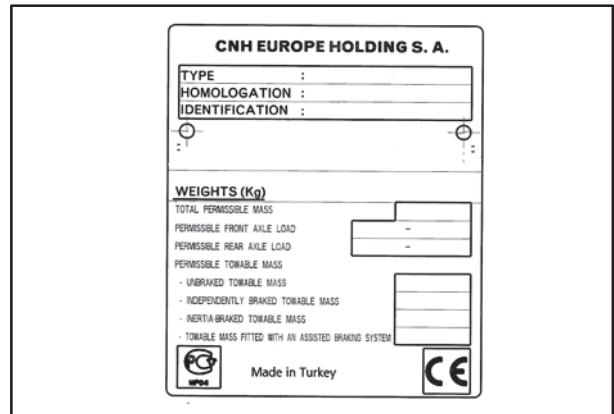


TRE0080A

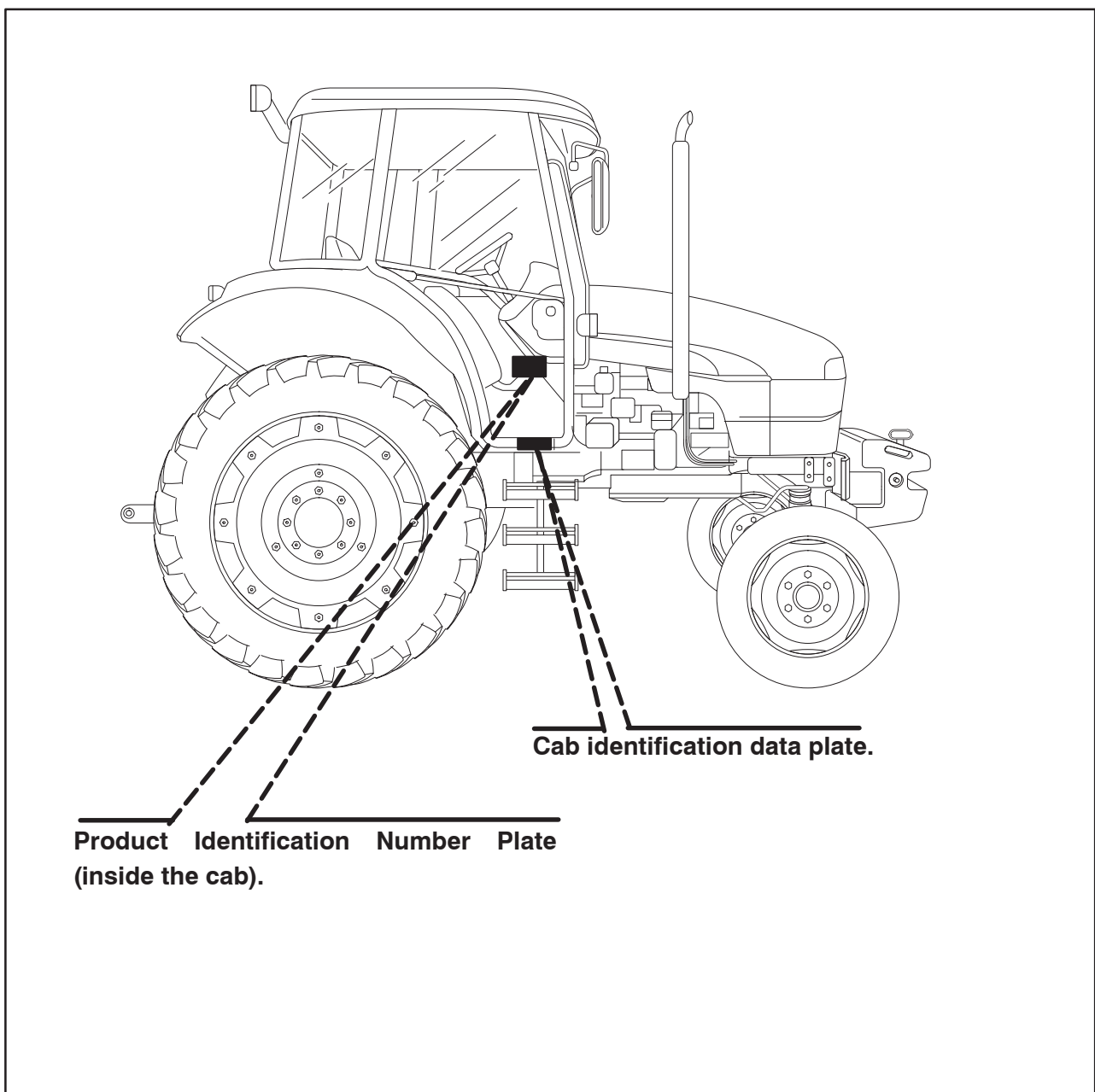
**Product Identification Number Plate – Fig. 2**

The Product Identification Number plate provides important information on tractor and towed equipment weight combinations. This plate can be found on the right-hand side of the cab exterior trim panel, below the rear window.

The figures shown are the maximum permissible vehicle and towing weights and should not be exceeded, to do so may affect the safe operation of the tractor. See Drawbars and Towing Attachments in Section 7.



2



Thank you so much for reading.  
Please click the “Buy Now!”  
button below to download the  
complete manual.



After you pay.

You can download the most  
perfect and complete manual in  
the world immediately.

Our support email:

[ebooklibonline@outlook.com](mailto:ebooklibonline@outlook.com)