

# OPERATOR'S MANUAL

---

**T7.140**

**T7.150**

**T7.165**

**T7.175**

**T7.180**

**T7.190**

**T7.195**

**T7.205**

Tractor

**Part number 47389976**

3<sup>rd</sup> edition English

May 2015



# Contents

---

## 1 GENERAL INFORMATION

Note to the owner.....	1-1
Product Identification .....	1-3
Engine identification .....	1-4
Component identification - Transmission .....	1-4
Cab identification .....	1-5
International symbols .....	1-6

## 2 SAFETY INFORMATION

Safety decals - Cab models .....	2-1
Safety Decals - Platform models .....	2-12
Noise level .....	2-20
Roll Over Protection Structure (ROPS) .....	2-21
Safety Precautions.....	2-22
Before operating the machine .....	2-23
Driving the vehicle .....	2-23
Machine operation.....	2-24
Power take off (PTO) operation .....	2-26
Operating the external controls.....	2-26
Maintenance.....	2-26
Diesel fuel .....	2-28
Fire or Explosion Prevention .....	2-29
Personal safety offered by the machine .....	2-30
Intended use statement .....	2-33
Ecology and the environment .....	2-34

## 3 CONTROLS AND INSTRUMENTS

### ACCESS TO OPERATOR'S PLATFORM

Introduction .....	3-1
External rear view mirrors .....	3-3
Cab .....	3-3
Operator's Platform.....	3-5
In cab storage (where applicable).....	3-6
Cable and wiring routing.....	3-6
Mobile telephone usage .....	3-6
Implement monitor installation.....	3-7

### OPERATOR'S SEAT

Operator seat.....	3-8
Seat belt .....	3-9

### INSTRUCTOR'S SEAT

Instructor's seat (when fitted) .....	3-10
---------------------------------------	------

---

## FORWARD CONTROLS

Ignition key .....	3-11
Warning lights .....	3-11
Left-hand control lever.....	3-12
Follow me home lights .....	3-12
Right-hand control lever .....	3-13
Clutch pedal .....	3-13
Control levers forward and reverse .....	3-14
Inching pedal and throttle.....	3-14
Foot pedals - Service brake .....	3-15
Steering column .....	3-16
Hazard light switch - Control .....	3-16

## LEFT-HAND SIDE CONTROLS

Parking brake.....	3-17
--------------------	------

## RIGHT-HAND SIDE CONTROLS

Switches .....	3-18
Differential lock system.....	3-19
Hand throttle.....	3-19
Four-wheel drive with electro-hydraulic control.....	3-19
Control levers.....	3-20

## REARWARD CONTROLS

Switches on C-pillar .....	3-21
----------------------------	------

## OVERHEAD CONTROLS

Overhead controls.....	3-22
Interior lights.....	3-22
Climate controls .....	3-23
Manual temperature control .....	3-25

## INSTRUMENT CLUSTER

Instrument panel.....	3-27
Gauges .....	3-27
Indicator and warning lights .....	3-28
Gauges .....	3-30
Keypad enhanced .....	3-32
Programming tractor functions .....	3-34
Ground speed setup – Models with Semi Powershift transmission .....	3-34
Ground speed setup Mechanical transmission .....	3-39
Performance monitor .....	3-41
Alarm functions .....	3-49
Accessing stored error codes .....	3-51
Warning and advisory symbols .....	3-52
Color monitor (where fitted) .....	3-57
Pop-up screens on color display .....	3-58
Performance monitor on color display .....	3-65

---

Display setup – Implement width .....	3-68
---------------------------------------	------

## 4 OPERATING INSTRUCTIONS

### COMMISSIONING THE UNIT

Fueling the machine .....	4-1
---------------------------	-----

### STARTING THE UNIT

Starting the engine .....	4-2
Cold starting aids .....	4-3
Booster battery procedure .....	4-4

### STOPPING THE UNIT

Stopping the engine .....	4-5
Engine automatic shutdown .....	4-5
Engine automatic shutdown with enhanced keypad (where fitted) .....	4-6

### MOVING THE UNIT

RANGECOMMAND TRANSMISSION .....	4-7
Semi-Powershift transmission - Dynamic description .....	4-7
Operating the machine .....	4-7
Automatic mode .....	4-9
Full powershift transmission – Speed correspondence .....	4-14
Fault codes .....	4-15
Setting reverse gear ratios .....	4-16
Creeper .....	4-18

## 5 TRANSPORT OPERATIONS

### PREPARING FOR ROAD TRANSPORT

Carrying the tractor on a transporter .....	5-1
---	-----

### RECOVERY TRANSPORT

Machine towing .....	5-1
----------------------	-----

## 6 WORKING OPERATIONS

### GENERAL INFORMATION

Variable engine power management .....	6-1
Constant engine speed .....	6-2
Differential lock system .....	6-4
Four wheel drive .....	6-6
AUTOMATED HEADLAND FUNCTIONS .....	6-7
Recording and replaying .....	6-7
Recording a sequence .....	6-9
Playing a sequence .....	6-11
Quick guide .....	6-13
Explanation of symbols .....	6-15

---

## TRANSMISSION

Powershift transmission - Operating – Models with Semi Powershift transmission	6-16
Ground speed chart	6-18
Mechanical transmission - Operating mechanical	6-22
Backup alarm system	6-24
Inching pedal and throttle	6-24
Hand throttle	6-24

## REAR POWER TAKE-OFF

Power Take-Off (PTO) operating precautions	6-25
Power Take-Off (PTO) connection	6-25
Power take off (PTO) operation	6-27
Power Take-Off (PTO) operation Two Speeds	6-31
Auto Power Take-Off (PTO) operation	6-32
Power Take-Off (PTO) - Operating - Power take-off (PTO) brake	6-34

## REAR HITCH

Electronic Draft Control (EDC)	6-35
Colour display screens – Adjusting the hydraulic lift	6-39
Operation – Electronic draft controller	6-41
Colour display screens – Adjusting the slip limit	6-45
Operating the external controls	6-46
Hydraulic lift with mechanical control	6-48
Hydraulic lift with mechanical control	6-48
Hydraulic systems - Operating - Hydraulic system	6-49
Mechanical hydraulic lift - Adjustment	6-52
Mechanical hydraulic lift - Outer lever	6-53

## HYDRAULIC REMOTE CONTROL VALVES

Hydraulic remote control valves - Closed-center load-sensing	6-54
Operation with remote valves	6-56
Connecting remote cylinders	6-58
Remote control valves - Configure Motor kit	6-60
Hydraulic oil free-flow return	6-60
Hydraulic oil level when using remote hydraulic equipment	6-61

## THREE POINT HITCH

Attach the implement on the hydraulic lift	6-63
Setups – Lift arm	6-65
Quick hitch	6-66
Setups - Third point arm	6-68

## DRAWBARS AND TOWING ATTACHMENTS

Maximum permitted loads on drawbar	6-70
Tractor drawbar	6-72

---

## PNEUMATIC TRAILER BRAKES

Pneumatic trailer brake .....	6-74
Auxiliary air supply connector (where fitted) .....	6-77

## WHEEL TRACK ADJUSTMENT

Front wheel track adjustment .....	6-78
Front wheel alignment .....	6-80
Steering stops .....	6-81
Front axle oscillation stops .....	6-81
Front wheel fenders .....	6-82
Front axle with extension (Cane cultivator) - If equipped .....	6-84
Rear axle flange type (where fitted) .....	6-85
Rear axle bar type (where fitted) .....	6-89
Dual rear wheels (where fitted) .....	6-94

## BALLASTING AND TIRES

Ballasting and tires .....	6-95
Tires - Compatibility table .....	6-97
Iron weights (where fitted) .....	6-100
Liquid ballast .....	6-102
Tires - Inflation .....	6-108
Tire pressures and permissible loads .....	6-109

## AUXILIARY POWER CONNECTIONS

Diagnostic socket .....	6-112
Auxiliary electrical outlet .....	6-112
Internal power connectors .....	6-113
External power connectors .....	6-115

## 7 MAINTENANCE

### GENERAL INFORMATION

Introduction .....	7-1
Fuel handling precautions .....	7-2
Diesel fuel .....	7-4
Specifications - Biodiesel fuel .....	7-5
Fluids and lubricants .....	7-7
Protective devices .....	7-8

### MAINTENANCE CHART

Maintenance chart – Models with Semi Powershift transmission .....	7-10
Maintenance chart – Models with mechanical transmission .....	7-12

### WHEN THE WARNING LAMP LIGHTS

Engine air filter, primary .....	7-14
Brake fluid level .....	7-16
Clutch fluid level – Models with mechanical transmission .....	7-16

---

## EVERY 10 HOURS OR EACH DAY

Engine coolant – Models with Semi Powershift transmission .....	7-18
Engine coolant filter – Models with mechanical transmission .....	7-19
Engine oil .....	7-20
Check the remote control valve drain bottles .....	7-20
Windshield wiper fluid reservoir .....	7-20
Pneumatic brake reservoir .....	7-21

## FIRST 50 HOURS

First 50 Hour Service – Models with Semi Powershift transmission .....	7-22
Initial 50 hours – Models with mechanical transmission .....	7-23

## EVERY 50 HOURS

Cab air filters – Cleaning .....	7-24
Cab recirculation air filter .....	7-25
Cleaning the radiators .....	7-26
Lubrication points .....	7-27
Wheel nuts torque .....	7-30
Check the tire pressures and the tire condition .....	7-31

## EVERY 300 HOURS

Engine belt .....	7-32
Pneumatic brake compressor belt – Check .....	7-32
A/C compressor belt .....	7-32
Fuel prefilter – Models with Semi Powershift transmission .....	7-33
Fuel prefilter – Models with mechanical transmission .....	7-34
Change the fuel filter element .....	7-35
Charge pump filter - Cleaning – Models with mechanical transmission .....	7-36
Replace engine oil filter .....	7-37
Adjust the hand brake .....	7-38
Transmission oil level - Check Semi-Powershift transmission .....	7-39
Transmission oil level - Check Mechanical transmission .....	7-40
Axle oil level front – Check .....	7-40
Wheel hub - Change fluid .....	7-41
Front axle with extension – Cane harvester (when available) .....	7-41
Nuts and screws tightening torque .....	7-42
Cab air filters – Activated charcoal filter – (when installed) .....	7-43

## EVERY 600 HOURS

Engine air filter - Outer element .....	7-44
Engine air filter - Inner element .....	7-45
Check the air intake connections .....	7-46
Check the transmission oil cooler pipe couplings .....	7-47
Fuel injection system - Cleaning .....	7-47
Cab air filters .....	7-48
Cab recirculation air filter .....	7-48
Change the charge pump oil filter – Models with Semi Powershift transmission .....	7-49

---

## EVERY 900 HOURS

Change the charge pump oil filter – Models with mechanical transmission .....	7-50
---	------

## EVERY 1200 HOURS OR ANNUALLY

Pneumatic brake system dryer .....	7-51
Change hydraulic system oil .....	7-52
Change front axle oil .....	7-53
Engine valve clearance .....	7-53
Grease the rear axle shaft bearing .....	7-54
Front axle with extension – Cane harvester (when available) .....	7-54
Hydraulic oil filter – Models with Semi Powershift transmission .....	7-55
Hydraulic oil filter – Models with mechanical transmission .....	7-55
Autopilot valve - Replace Filter .....	7-56
Change the engine breather filter .....	7-56

## EVERY 1200 HOURS OR EVERY 2 YEARS

Change the engine coolant fluid .....	7-57
---------------------------------------	------

## GENERAL MAINTENANCE

Air conditioning filter drier .....	7-61
Cleaning the tractor .....	7-62
Fuel system .....	7-63
Service brakes .....	7-64
Adjust the cab suspension (where fitted) .....	7-65
Headlight and worklamp adjustment .....	7-66
Replacing bulbs .....	7-67
Fuses and relays - Models without cab and mechanical transmission .....	7-71
Fuses and relays - Models with cab and mechanical transmission .....	7-75
Fuses and relays - Models with cab and Semi-Powershift transmission .....	7-79
Battery .....	7-84
Engine idle speed – Models with mechanical transmission .....	7-85
Check the remote control valve drain bottles .....	7-85

## STORAGE

Storing the machine .....	7-86
Preparation for use after storage .....	7-87

## 8 TROUBLESHOOTING

### FAULT CODE RESOLUTION

Introduction .....	8-1
--------------------	-----

### ALARM(S)

Fault codes and symbols .....	8-2
-------------------------------	-----

### SYMPTOM(S)

Engine .....	8-3
--------------	-----

---



Transmission – Models with Semi Powershift transmission .....	8-5
Drive – Models with mechanical transmission .....	8-6
Hydraulic System .....	8-7
Three-point hitch – Hydraulic lift .....	8-8
Three-point hitch – Mechanical lift .....	8-9
Brakes .....	8-10
Cab .....	8-10
Electrical System .....	8-11

## 9 SPECIFICATIONS

GENERAL DIMENSIONS .....	9-1
General dimensions .....	9-1
Fluids and lubricants .....	9-4
Engine .....	9-6
Transmission .....	9-7
Hydraulic System .....	9-7
Three-point hitch .....	9-7
Three-point hitch .....	9-8
Brakes .....	9-8
Steering .....	9-9
Power Take-Off (PTO) .....	9-9
Electrical .....	9-9

## 10 ACCESSORIES

Pneumatic trailer brake .....	10-1
Rotary beacon (option) .....	10-3

# 1 - GENERAL INFORMATION

## Note to the owner

### GENERAL INFORMATION

This Manual has been prepared to assist you in the correct procedure for running-in, driving and operating and for the maintenance of your new machine. Read this manual carefully. Your machine is designed to be used in normal and customary agricultural applications.

If you require technical support for your machine at any time, do not hesitate in contacting your NEW HOLLAND dealer. They have company trained personnel, genuine parts and the necessary equipment to carry out all your service requirements.

The specifications are provided for your information and guidance. For further information concerning your tractor and equipment, consult your NEW HOLLAND dealer.

All data given in this book is subject to production variations. Dimensions and weights are approximate. The illustrations do not necessarily show tractors in standard condition or imply that these features are available in all countries. For exact information about any particular tractor, please consult your NEW HOLLAND dealer.

Your tractor has been designed and built to give maximum performance, economy and ease of operation under a wide variety of operating conditions. Prior to delivery, the tractor was carefully inspected, both at the factory and by your NEW HOLLAND dealer to ensure that it reaches you in optimum condition. To maintain this condition and ensure trouble-free operation, it is important that the routine services, as specified in the Maintenance Graphic of this Manual, are carried out at the recommended intervals.

### OPERATORS MANUAL STORAGE

The Operators Manual supplied with your tractor is an important source of information and should be stored safely.

The manual is written specifically for your tractor so it is important that you make a note of the print number and issue date which can be found on the cover. In the event the manual is lost or damaged it can be replaced with the correct version.

A storage pocket for the Operators Manual can be found on the rear of the seat. The manual should be kept in this pocket at all times when not in use.

### ABOUT THIS MANUAL

This manual gives information for use of your machine, as intended and under the conditions foreseen by the manufacturer during normal operation and routine service and maintenance.

Read and understand; keep it in good condition and always safely store it in the provided pocket in the back of your seat for later easy use.

This manual does not contain all the information related to periodical service, converting and repairs to be carried out by NEW HOLLAND professional service personnel.

The Table of Contents page(s) are provided to have an overview of main manual's topics. A detailed alphabetic index is available at the end of this manual for locating specific items.

### Normal Operation

- Normal operation means the use of the tractor for the purpose intended by the manufacturer by an operator familiar with the tractor and the mounted or towed equipment and complying with the information for operation and safe practices, as specified by the manufacturer in this manual and by the decals on the tractor and the equipment.
- Normal operation includes the preparation and storage of the tractor, swinging components into work position and vice versa, adding or removing ballast and picking up and setting off attachments.
- Normal operation includes the adjustment and setting of the tractor and equipment, for the specific condition of the field and/ or the crop.

### Routine service

- Routine service and maintenance means activities that must be done daily by an operator familiar with the tractor characteristics and complying with the information for routine service and safe practices, as specified by the manufacturer in this manual and by decals on the tractor, in order to maintain its proper function. Routine service includes activities such as fuelling, cleaning, washing, topping up fluid levels, greasing, and replacing consumable articles such as lamp bulbs.

### Converting, periodical service and repair

- Periodical service means activities that must be done at defined intervals by trained personnel familiar with the tractor characteristics and which are complying with the information for periodical service and safe practices, as partly specified by the manufacturer in this manual and in other Company literature, in order to maintain the expected life time of the tractor.
- Converting means activities that must be done by professional service personnel familiar with the tractor characteristics and complying with the information for converting, as partly specified by the manufacturer in

this manual, in assembly instructions or in other Company literature, in order to fit the tractor to a specific configuration.

- Repair means activities that must be done by professional service personnel only who are familiar with the tractor characteristics and complying with the information for repair, as specified by the manufacturer in the NEW HOLLAND dealer's Service Manual, in order to restore the proper function of the tractor after a failure or reduction in performance.

## CLEANING THE TRACTOR

Your tractor is a state-of-the-art machine with sophisticated, electronic controls. This should be taken into consideration when cleaning the tractor, particularly if using a high pressure washer. Even though every precaution has been taken to preserve electronic components and connections, the pressure generated by some of these machines is such that complete protection against water ingress cannot be guaranteed.

When using a high pressure washer, do not stand too close to the tractor and avoid directing the jet at electronic components, electrical connections, breathers, seals, filler caps, etc. Never direct a cold water jet at a hot engine or exhaust.

Failure to comply with these rules will render the warranty null and void.

## Safety

The pages in Section 2 list the precautions to be observed to ensure your safety and the safety of others. Read the safety precautions and follow the advice offered before operating the tractor.

## SERVICE PARTS

It should be pointed out that genuine parts have been examined and approved by the Company. The installation

and/or usage of 'non-genuine' products could have negative effects upon the design characteristics of your tractor and thereby affect its safety. The Company is not liable for any damage caused by the use of 'non-genuine' parts and accessories. Only genuine replacement parts should be used. The use of non-genuine parts may invalidate legal approvals associated with this product.

It is prohibited to carry out any modifications to the tractor unless specifically authorised, in writing, by the After Sales Service department of the Company.

## WARRANTY

Your tractor is warranted according to legal rights in your country and the contractual agreement with the selling dealer. No warranty shall, however, apply if the tractor has not been used, adjusted and maintained according to the instructions given in the Operator's Manual.

Check the mandatory services for your machine in the Warranty Booklet. The Warranty Booklet is issued with the machine.

## USE OF BIODIESEL FUELS

**NOTICE:** Before using Biodiesel fuels in your tractor, refer to the information on page 7-4 regarding the storage and use of Bio diesel fuels.

## EMISSION CONTROLS

The design and construction of the engine and fuel system on your machine meets government emissions standards. tampering by dealers, customers, operators and users is strictly prohibited by law. Failure to comply could result in government fines, rework charges, invalid warranty, legal action and possible confiscation of the machine until rework to original condition is completed. Engine service and/ or repairs must be done by a certified technician only!

## Product Identification

Your machine and its main components are identified by codes. These codes facilitate identification of your machine. You must give them to your NEW HOLLAND dealer when requesting replacement parts or servicing. The following information indicates where the identification codes are stamped.

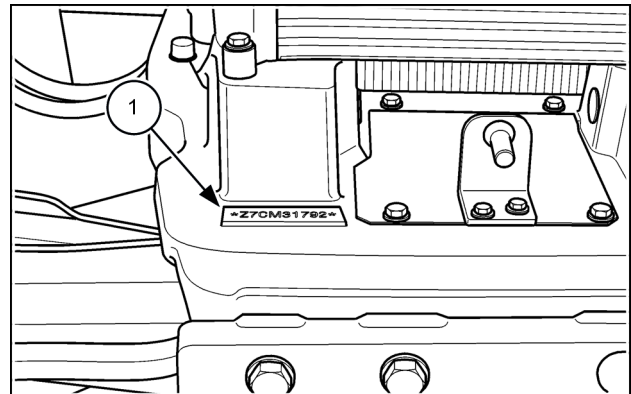
### Machine identification plate

The plaque with the product identification number (PIN) is located on the inside of the radiator bracket on the left-hand side.



BRAG12TRLUE0350 1

The PIN is also stamped on the machine's front axle support bracket.

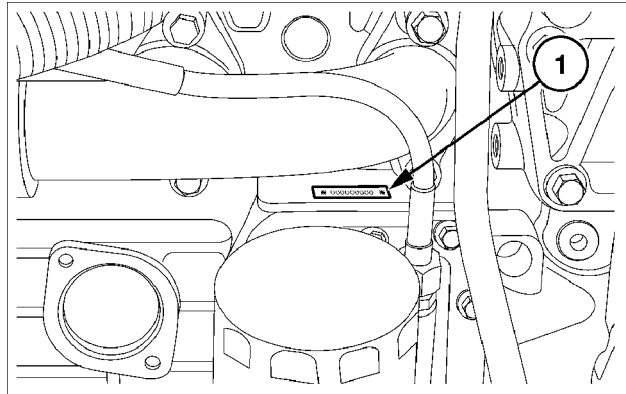


BRAG12TRLUE1212 2

## Engine identification

The engine serial number and date of manufacture are stamped on the right- hand side of engine block **(1)** below the manifold. Record the number below.

Engine Serial No. \_\_\_\_\_

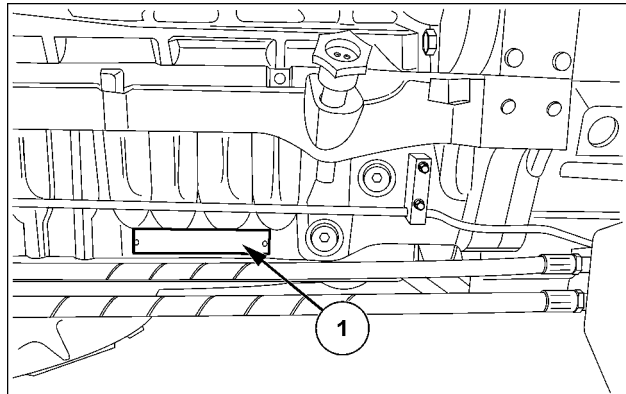


BRJ4859B 1

**NOTE:** The engine serial number is repeated on the information plate located on the left side of the engine oil pan.

Further information relating to engine adjustments and emission level compliance are also shown on the engine information plate.

**NOTE:** The details displayed on the engine information plate may change depending on the country in which the tractor is sold.



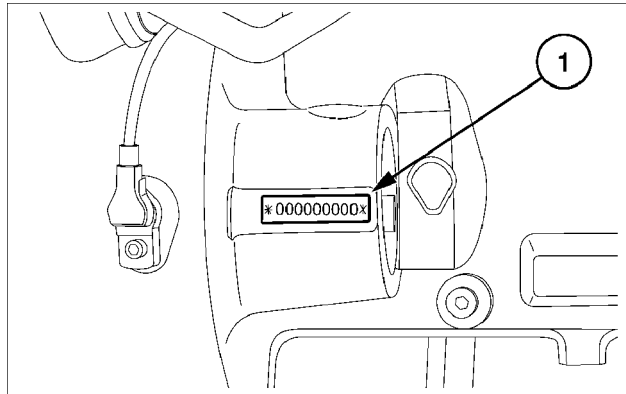
SS10K020 2

## Component identification - Transmission

The serial number plate **(1)** is located on the right- hand side of the transmission casing behind the battery carrier.

This number is repeated on the vehicle identification plate. Record the information below for quick reference.

Driveline Serial Number. \_\_\_\_\_



BRJ4857B 1

Thank you so much for reading.  
Please click the “Buy Now!”  
button below to download the  
complete manual.



After you pay.

You can download the most  
perfect and complete manual in  
the world immediately.

Our support email:

[ebooklibonline@outlook.com](mailto:ebooklibonline@outlook.com)