

ORIGINAL INSTRUCTIONS - according to Directive 2006/42/EC, Annex I 1.7.4.1

OPERATOR'S MANUAL

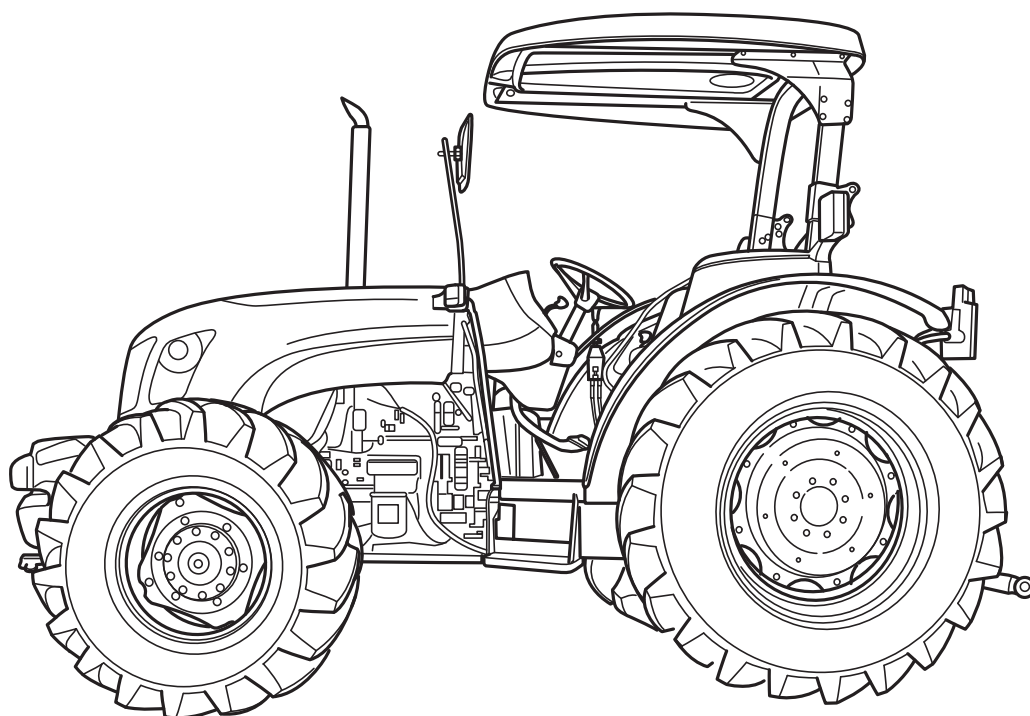
T4020

T4030

T4040

T4050

Tractors



Part Number 47394627

English
June 2012



SECTION SUMMARY

1 – Introduction and safety measures

2 – General Information, Controls and Instruments

3 – Field operation

4 – Lubrication and Maintenance

5 – Troubleshooting

6 – Vehicle storage

7 – Accessories

8 – Specifications and Data

9 – Alphabetical Index

For your better and easier understanding of the document you'll find original text reproduced hereafter together with some notes

Clause of 2006/42/EC Annex II	EN EC Declaration of conformity According to Directive 2006/42/EC.
1.A.1	We, [1]
1.A.2	Represented by Giuseppe Gavioli, CNH Europe Holding S.A. 24, Boulevard Royal L-2449 Luxembourg
1.A.3	declare under our sole responsibility, that the product: Agricultural tractor Trade Name: [2] Model: [3] Type: [4] Serial Number: [5]
1.A.4	to which this declaration relates, fulfils all the relevant provisions of the Directive 2006/42/EC, amended by [6].
1.A.7	For the relevant implementation of the provisions of the Directive, the following (harmonised) standards have been ap- plied: • ISO 26322-1 part 1 or 2 Other standards: see Operators Manual
1.A.9	Place and date of the declaration: [7]
1.A.10	Name and signature of the authorised per- son: [8]

METRIC AND IMPERIAL UNITS ABBREVIATIONS

TYPICAL APPLICATIONS	RECOMMENDED SI (METRIC) UNITS		IMPERIAL UNIT	
	NAME	SYMBOL	NAME	SYMBOL
AREA				
Land area	hectare	ha	acre	
	square meter	m ²	square foot square inch	ft ² in ²
	square millimetre	mm ²	square inch	in ²
ELECTRICITY				
	ampere	A	ampere	A
	volt	V	volt	V
	microfarad	μF	microfarad	μF
	ohm	Ω	ohm	Ω
FORCE				
	kilonewton	kN	pound	lb
	newton	N	pound	lb
FORCE PER LENGTH				
	newton per metre	N/m	pound per inch	lb/in
FREQUENCY				
	megahertz	MHz	Megahertz	MHz
	kilohertz	kHz	kilohertz	kHz
	hertz	Hz	hertz	Hz
FREQUENCY - ROTATIONAL				
	revolution per minute	r/min rpm	revolution per minute	r/min ^(a) rpm
LENGTH				
	kilometre	km	mile	mi
	meter	m	foot	ft
	centimetre	cm	inch	in
	millimetre	mm	inch	in
	micrometer	μm		
MASS				
	kilogram	kg	pound	lb
	gram	g	ounce	oz
	milligram	mg		

TYPICAL APPLICATIONS	RECOMMENDED SI (METRIC) UNITS		IMPERIAL UNIT	
	NAME	SYMBOL	NAME	SYMBOL
POWER				
	kilowatt	kW	horsepower	Hp
	watt	W	Btu per hour Btu per minute	Btu/hr Btu/min
PRESSURE or STRESS (FORCE PER AREA)				
	kilopascal	kPa	pound per square inch inch of mercury	psi inHg
	pascal	Pa	inch of water	inH ₂ O
	megapascal	Mpa	pound per square inch	psi
TEMPERATURE (other than THERMODYNAMIC)				
	degrees Celsius	°C	degrees Fahrenheit	°F
TIME				
	hour	h	hour	h
	minute	min	minute	min
	second	s	second	s
TORQUE (includes BENDING MOMENT, MOMENT OF FORCE, and MOMENT OF A COUPLE)				
	newton meter	N m N m	pound foot pound inch	lb ft lb in
VELOCITY				
	kilometre per hour	km/h	mile per hour	mph
	meter per second	m/s	foot per second	ft/s
	millimetre per second	mm/s	inch per second	in/s
	meter per minute	m/min	foot per minute	ft/min
VOLUME (includes CAPACITY)				
	cubic meter	m ³	cubic yard	yd ³ cu yd
	litre	l	cubic inch	in ³
	litre	l	US gallon UK gallon US quart UK quart	US gal UK gal US qt UK qt
	millilitre	ml	fluid ounce	fl oz

TYPICAL APPLICATIONS	RECOMMENDED SI (METRIC) UNITS		IMPERIAL UNIT	
	NAME	SYMBOL	NAME	SYMBOL
VOLUME PER TIME (includes DISCHARGE and FLOW RATE)				
	cubic meter per minute	m ³ /min	cubic foot per minute	ft ³ /min
	litre per minute	l/min	US gallon per minute	US gal/min
	millilitre per minute	ml/min	UK gallon per minute	UK gal/min
SOUND POWER LEVEL and SOUND PRESSURE LEVEL				
	decibel	dB	decibel	dB

CONTENTS

CE DECLARATION OF CONFORMITY DOCUMENT	1
HEALTH AND SAFETY RELATED STANDARDS APPLIED TO YOUR TRACTOR	
SENZA CODICE	

Section – Page

Section 1

General information and safety measures	1-1
Tractor identification plates	1-2
Important ecological considerations	1-3
Always work safely	1-4
Working safely	1-5
Safety Decals	1-13
Tractor noise level information sheet	1-17
Tractor vibration level information sheet	1-24
Protection offered by the tractor	1-25
Machine stability	1-28
Fire or explosion prevention	1-31
Intended use of your tractor	1-32
Tractors main components	1-35

Section 2

Controls, instruments and operation	2-1
Before using the tractor	2-1
Control panel with analog instrument	2-2
Operation indicator light panel	2-3
Digital instrument control panel	2-7
Multifunction display	2-12
Control panel	2-28
Seat	2-33
Seat belts	2-34
Mechanical transmission (12F+12R)	2-36
Mechanical transmission (16F+16R)	2-37
Mechanical transmission (28F+16R)	2-39
Electrohydraulic transmission (16F+16R)	2-41
Transmissions 40 km/h	2-44

Section 3

Field operation	3-1
Starting and stopping	3-2
Brakes	3-6
Mechanically engaged 4WD	3-8
Hydraulically engaged 4WD	3-9
LIM-SLIP differential lock	3-10
Differential lock	3-11
Independent power take-off	3-13
Synchronized power take-off	3-14
Hydraulic lift with mechanical control	3-16
Three-point linkage	3-20
Implement linkage points	3-25
Rear remote auxiliary control valves	3-26
Track adjustment	3-31
Steering angle adjustment	3-34
Tyres	3-37
Metal ballast	3-48
Liquid ballasting	3-50
Maximum permitted weights	3-53

Section 4

Lubrication and maintenance	4-1
Access for inspection and maintenance	4-7
Lubrication and maintenance table	4-8
Flexible maintenance	4-11
Instrument panel warning lights	4-16
Every 10 hours of work	4-20
Every 50 hours of work	4-21
Every 100 hours of work	4-23
Every 300 hours of work	4-24
Every 600 hours of work	4-29
Every 1200 hours or every year	4-33
Every 1200 hours or every 2 years	4-35
Every 1800 hours of work	4-39
Electrical system	4-40
Recommendations for bodywork maintenance	4-53
Consumables	4-54

Section 5

Troubleshooting, causes and solutions	5-1
---	-----

Section 6

Prolonged tractor inactivity	6-1
------------------------------------	-----

Section 7

Accessories	7-1
Quick fit implement linkage	7-2
Towing equipment	7-4
Joystick for side control valves	7-7
Control valve for trailer hydraulic brakes (not available on all markets)	7-8
Fold-down roll bar	7-10

Section 8

Specifications and data	8-1
-------------------------------	-----

Section 9

Alphabetical index	9-1
--------------------------	-----

NOTICES TO USERS

SPARE PARTS

“Non-original” spare parts have not been tested or authorised by the Manufacturer. Installment and/or use of such products may adversely affect the tractor’s design specifications, thereby compromising operational safety. The manufacturer cannot be held responsible for any damage resulting from the use of “non-original” spare parts.

No modifications may be made to the tractor without written authorisation from the Manufacturer.

WARRANTY

The tractor is guaranteed in accordance with current legislation in your country and in line with contractual agreements reached with the dealer at the time of sale. However, the warranty is no longer valid if the rules and instructions for the use and maintenance of the tractor, described in this Manual, are not observed.

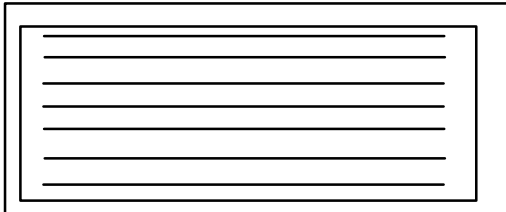
CLEANING THE TRACTOR

Your tractor is an advanced machine, fitted with an electrohydraulic control system. Care must be taken when cleaning the tractor, especially if a pressurized water cleaner is used.

- Never stand too close to the tractor or direct the water jet on electrical components, seals or intake openings, etc.
- Never direct jets of cold water at the hot engine or exhaust.

TRACTOR IDENTIFICATION

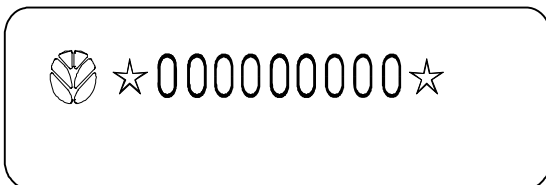
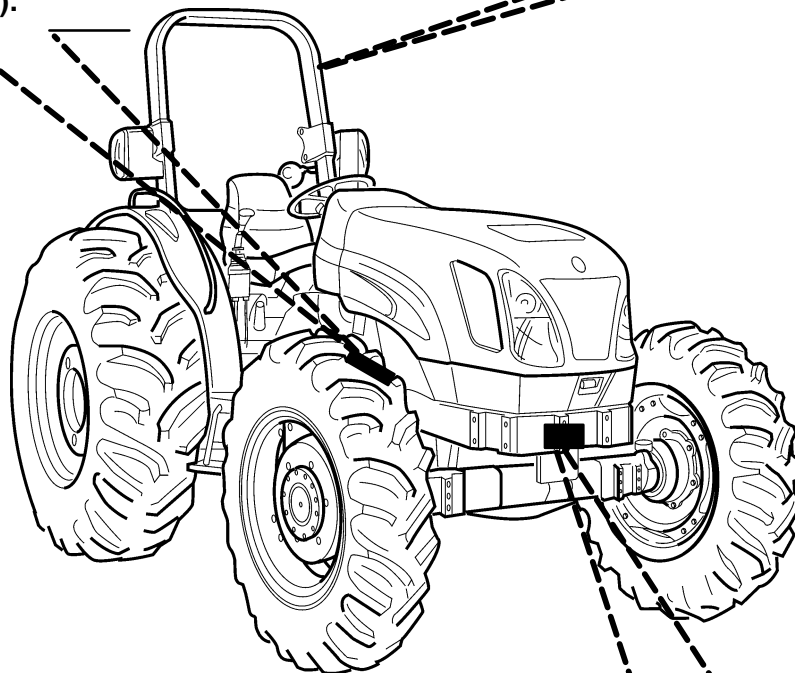
Serial numbers identify the tractor and its main components. The identification data must be supplied by the dealer for requests for spare parts or service operations. Identification data is of fundamental importance in the event of theft of the tractor. The location of the various identification data is shown below.



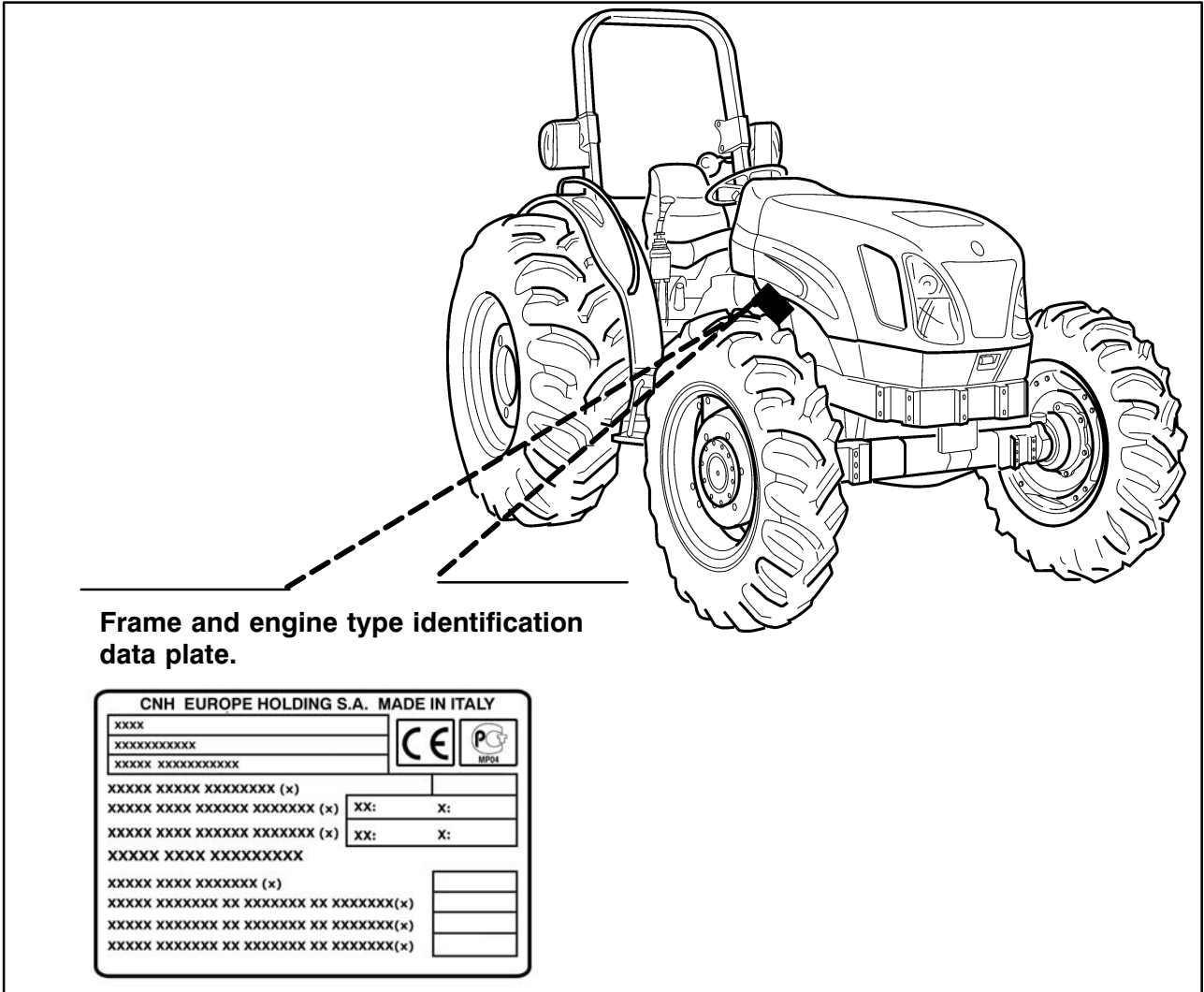
Engine identification data plate (on the engine block on the right-hand side (T4040 and T4050), (on the engine block on the left-hand side (T4020 and T4030).

SAFETY STRUCTURE	TYPE/MODEL	
	STRUCTURE TESTED	
SAE	O.E.B./REPORT-	
CSA	CSHA-	
FRANCOIS LANGLOISE STRUCTURE	TI	
SFC TS - N°		
ENIG GODKENDT AF DIREKTØREN FOR ARBEJDSSTILSYRET*		
VEHICLE WEIGHT FOR SAE TEST	kg	LB
STRUCTURE SERIAL	N°	

Frame identification data plate.



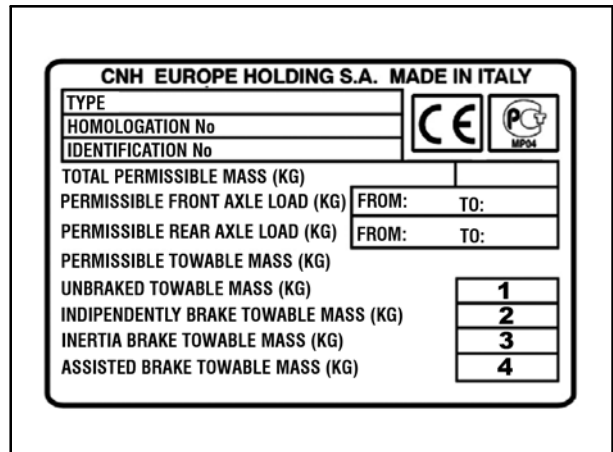
Tractor frame number identification data plate (stamped on the axle support under the bonnet).



2

MAXIMUM TOWABLE WEIGHT

- 1. Towable non-braked mass:
..... 3500 kg (7716 lb)
 - 2. Towable mass with independent braking device:
6000 kg (13228 lb)
 - 3. Towable mass with inertia braking:
2 WD 8500 kg (18739 lb)
4 WD 9000 kg (19841 lb)
 - 4. Towable mass with assisted braking:
..... 19000 kg (41887 lb)
..... 25000 kg (55115 lb)
- With tow bar **CNH**: 14000 kg (30865 lb)



3

IMPORTANT ECOLOGICAL CONSIDERATIONS

Soil, air and water are essential elements for agriculture and for life in general. If local legislation does not control the treatment of certain substances, the production of which is necessitated by advanced technologies, products derived from chemical and petrochemical products must be used and disposed of according to the rules of common sense.

The following recommendations may be of help:

- Find out what the relevant legislation in your country stipulates.
- Ask your suppliers of lubricants, oils, fuels, anti-freeze, detergents, etc. for information on the effects of these products on humans and the environment and for instructions concerning their use, storage and disposal. In many cases, local agricultural consultants will be able to provide assistance.

SUGGESTIONS

1. Avoid using unsuitable, pressurised filling systems or fuel cans when filling tanks, as these may cause considerable spillage and leakage of liquids.
2. As a general rule, do not allow liquid fuels, lubricants, acids, solvents, etc., to come into contact with the skin. The majority of these products contain substances that are potential health hazards.
3. Modern lubricants contain additives. Do not burn contaminated fuel oils and/or oils used in conventional heating systems.
4. Avoid spillage when transferring used engine cooling liquids, engine and transmission lubricants, hydraulic oils, brake fluids, etc.. Never mix used brake oil with fuel oil, or fuel oil with lubricants. Store safely until suitable disposal can be arranged according to national legislation or local regulations.
5. Modern anti-freeze liquids and solutions, e.g. anti-freeze and other additives, must be replaced every two years. They must not be left to be absorbed into the ground, but must be collected and disposed of in a suitable manner.
6. Do not open the air conditioning systems to carry out work. These systems contain gas that must not be released into the atmosphere. Contact your dealer or specialised personnel, who are equipped with the appropriate equipment and are authorised to re-fill the system.
7. Any leakage or defect in the engine cooling or hydraulic systems must be repaired immediately.
8. Do not increase the pressure in pressurised systems, as this may cause component parts to burst.
9. When welding, make sure that hoses are properly protected as sparks or molten material may puncture or weaken the tubes and sleeves, resulting in leakage of oil, cooling liquid, etc.
10. Do not adjust the setting of the fuel delivery system as this will alter the emission of exhaust fumes.

NOTE: THE ENGINES INSTALLED ON THE TRACTORS COMPLY WITH ANTI-POLLUTION LEGISLATION.

Thank you so much for reading.
Please click the “Buy Now!”
button below to download the
complete manual.



After you pay.

You can download the most
perfect and complete manual in
the world immediately.

Our support email:

ebooklibonline@outlook.com