

ORIGINAL INSTRUCTIONS
- according to Directive 2006/42/EC, Annex I, 1.7.4.1

Quantum 65C
Quantum 75C
Quantum 85C
Quantum 95C
Tractors

OPERATOR'S MANUAL



Part Number 47394642

English
June 2012



SECTION SUMMARY

1 – Introduction and safety measures

2 – General Information, Controls and Instruments

3 – Field operation

4 – Lubrication and Maintenance

5 – Troubleshooting

6 – Vehicle storage

7 – Accessories

8 – Specifications and Data

9 – Alphabetical Index

For your better and easier understanding of the document you'll find original text reproduced hereafter together with some notes

Clause of 2006/42/EC Annex II	EN EC Declaration of conformity According to Directive 2006/42/EC.
1.A.1	We, [1]
1.A.2	Represented by Giuseppe Gavioli, CNH Europe Holding S.A. 24, Boulevard Royal L-2449 Luxembourg
1.A.3	declare under our sole responsibility, that the product: Agricultural tractor Trade Name: [2] Model: [3] Type: [4] Serial Number: [5]
1.A.4	to which this declaration relates, fulfils all the relevant provisions of the Directive 2006/42/EC, amended by [6].
1.A.7	For the relevant implementation of the provisions of the Directive, the following (harmonised) standards have been ap- plied: • ISO 26322–1 part 1 or 2 Other standards: see Operators Manual
1.A.9	Place and date of the declaration: [7]
1.A.10	Name and signature of the authorised per- son: [8]

- FOPS level on your tractor cab is certified according to **OECD Code 10**.
- The cab is **Category 1** approved in accordance with **EN 15695–1** standards.

METRIC AND IMPERIAL UNITS ABBREVIATIONS

TYPICAL APPLICATIONS	RECOMMENDED SI (METRIC) UNITS		IMPERIAL UNIT	
	NAME	SYMBOL	NAME	SYMBOL
AREA				
Land area	hectare	ha	acre	ha
	square meter	m ²	square foot square inch	ft ² in ²
	square millimetre	mm ²	square inch	in ²
ELECTRICITY				
	ampere	A	ampere	A
	volt	V	volt	V
	microfarad	μF	microfarad	μF
	ohm	Ω	ohm	Ω
FORCE				
	kilonewton	kN	pound	lb
	newton	N	pound	lb
FORCE PER LENGTH				
	newton per metre	N/m	pound per inch	lb/in
FREQUENCY				
	megahertz	MHz	Megahertz	MHz
	kilohertz	kHz	kilohertz	kHz
	hertz	Hz	hertz	Hz
FREQUENCY - ROTATIONAL				
	revolution per minute	r/min rpm	revolution per minute	r/min ^(a) rpm
LENGTH				
	kilometre	km	mile	mi
	meter	m	foot	ft
	centimetre	cm	inch	in
	millimetre	mm	inch	in
	micrometer	μm		
MASS				
	kilogram	kg	pound	lb
	gram	g	ounce	oz
	milligram	mg		

TYPICAL APPLICATIONS	RECOMMENDED SI (METRIC) UNITS		IMPERIAL UNIT	
	NAME	SYMBOL	NAME	SYMBOL
POWER				
	kilowatt	kW	horsepower	Hp
	watt	W	Btu per hour Btu per minute	Btu/hr Btu/min
PRESSURE or STRESS (FORCE PER AREA)				
	kilopascal	kPa	pound per square inch inch of mercury	psi inHg
	pascal	Pa	inch of water	inH ₂ O
	megapascal	Mpa	pound per square inch	psi
TEMPERATURE (other than THERMODYNAMIC)				
	degrees Celsius	°C	degrees Fahrenheit	°F
TIME				
	hour	h	hour	h
	minute	min	minute	min
	second	s	second	s
TORQUE (includes BENDING MOMENT, MOMENT OF FORCE, and MOMENT OF A COUPLE)				
	newton meter	N m N m	pound foot pound inch	lb ft lb in
VELOCITY				
	kilometre per hour	km/h	mile per hour	mph
	meter per second	m/s	foot per second	ft/s
	millimetre per second	mm/s	inch per second	in/s
	meter per minute	m/min	foot per minute	ft/min
VOLUME (includes CAPACITY)				
	cubic meter	m ³	cubic yard	yd ³ cu yd
	litre	l	cubic inch	in ³
	litre	l	US gallon UK gallon US quart UK quart	US gal UK gal US qt UK qt
	millimetre	ml	fluid ounce	fl oz

TYPICAL APPLICATIONS	RECOMMENDED SI (METRIC) UNITS		IMPERIAL UNIT	
	NAME	SYMBOL	NAME	SYMBOL
VOLUME PER TIME (includes DISCHARGE and FLOW RATE)				
	cubic meter per minute	m ³ /min	cubic foot per minute	ft ³ /min
	litre per minute	l/min	US gallon per minute	US gal/min
	millilitre per minute	ml/min	UK gallon per minute	UK gal/min
SOUND POWER LEVEL and SOUND PRESSURE LEVEL				
	decibel	dB	decibel	dB

CONTENTS

CE DECLARATION OF CONFORMITY DOCUMENT	1
HEALTH AND SAFETY RELATED STANDARDS APPLIED TO YOUR TRACTOR	
SENZA CODICE	

Section – Page

SECTION 1

Communications for the user	1-1
Identification plates	1-2
Important ecological considerations	1-5
Always work safely	1-6
Working safely	1-7
Guards and safety covers	1-24
Safety decals	1-18
Tractor noise level information sheet	1-26
Tractor vibration level information sheet	1-28
Protection offered by the tractor	1-29
Machine stability	1-32
Fire or explosion prevention	1-35
Intended use of your tractor	1-36
Tractors main components	1-39

SECTION 2

General notes, controls and instruments	2-1
Analog control panel	2-2
Digital instrument control panel	2-7
Multifunction display	2-13
Light control lever	2-30
Operating controls	2-31
Cab	2-41
Mechanical transmission (16F+16R) 18.64/24.35 mph (30/40 km/h)	2-52
Electrohydraulic transmission (16F+16R) 18.64/24.35 mph (30/40 km/h)	2-53
Mechanical transmission (28F+16R) 18.64/24.35 mph (30/40 km/h)	2-56
Mechanical transmission (32F+16R) 18.64/24.35 mph (30/40 km/h)	2-58
Electrohydraulic transmission (32F+16R) 18.64/24.35 mph (30/40 km/h)	2-60
Transmission with electrohydraulic clutch 18.64/24.35 mph (30/40 km/h)	2-66
Fast transmissions 24.35 mph (40 km/h)	2-69

SECTION 3

Field operation	3-1
Starting and stopping	3-2
Brakes	3-6
Mechanical 4WD	3-8
Electrohydraulically controlled four-wheel drive	3-9
Differential lock	3-10
Lim-Slip front differential lock	3-11
Electrohydraulic differential lock	3-12
Power Take- Off	3-14
Hydraulic lift with mechanical control	3-19
Electronically controlled hydraulic lift	3-23
Rear three-point linkage	3-31
Implement linkage points	3-34
Rear remote auxiliary control valves	3-39
Front 2 WD wheel track adjustment	3-42
4WD wheel track adjustment	3-44
Tyres	3-50
Metal ballast	3-66
Liquid ballasting	3-67
Permitted maximum weights	3-70

SECTION 4

Lubrication and maintenance	4-1
Running in period	4-2
Fuelling the tractor	4-3
Access for inspection and maintenance	4-7
Lubrication and maintenance table	4-8
Flexible maintenance	4-11
Instrument panel warning lights	4-8
EVERY 10 HOURS OF WORK	4-20
EVERY 50 HOURS OF WORK	4-21
EVERY 100 HOURS OF WORK	4-24
EVERY 300 HOURS OF WORK	4-27
EVERY 600 HOURS OF WORK	4-32
EVERY 1200 HOURS OR EVERY YEAR	4-36
EVERY 1200 HOURS OF WORK OR EVERY 2 YEARS	4-38
EVERY 1800 HOURS OF WORK	4-44
Electrical System	4-45
Fuelling	4-78

SECTION 5

Troubleshooting, causes and solutions	5-1
---	-----

SECTION 6

Storing the tractor	6-1
---------------------------	-----

SECTION 7

Accessories	7-1
Front Power Take Off	7-2
Mechanically controlled front hydraulic lift	7-4
Electronically controlled front hydraulic lift	7-5
Front three-point linkage	7-12
Quick fit implement linkage	7-14
Towing equipment	7-16
Hydraulically operated towing hitch	7-19
Joystick	7-22
Control valve for trailer hydraulic brakes	7-23

SECTION 8

Specifications and data	8-1
-------------------------------	-----

SECTION 9

Alphabetical index	9-1
--------------------------	-----

SECTION 1

GENERAL INFORMATION AND SAFETY PRECAUTIONS

SPARE PARTS

“Non–original” spare parts have not been tested or authorised by the Manufacturer. Installment and/or use of such products may adversely affect the tractor’s design specifications, thereby compromising operational safety. The manufacturer cannot be held responsible for any damage resulting from the use of “non–original” spare parts.

No modifications may be made to the tractor without written authorisation from the Manufacturer.

WARRANTY

The tractor is guaranteed in accordance with current legislation in your country and in line with contractual agreements reached with the dealer at the time of sale. However, the warranty is no longer valid if the rules and instructions for the use and maintenance of the tractor, described in this Manual, are not observed.

CLEANING THE TRACTOR

Your tractor is an advanced machine, fitted with an electro–hydraulic control system. Care must be taken when cleaning the tractor, especially if a pressurised water cleaner is used.

- When using a pressure washer, never stand too close to the tractor or direct the water jet on electrical components, seals or intake openings, etc..
- Never direct jets of cold water at the hot engine or exhaust. See also Section 4 (Recommendations for bodywork maintenance).

TRACTOR IDENTIFICATION PLATES

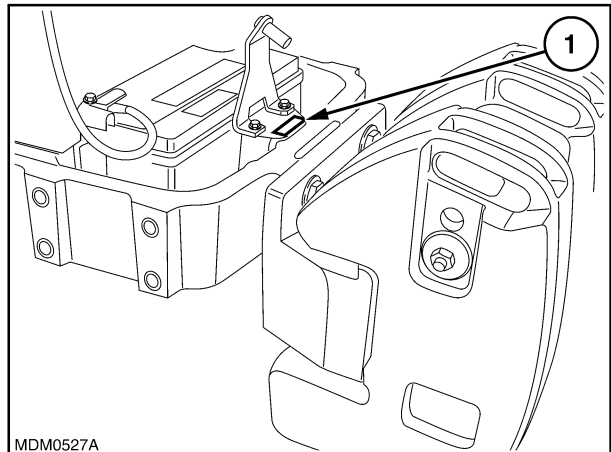
Serial numbers identify the tractor and its main components. The identification data must be supplied by the dealer for requests for spare parts or service operations. Identification data is of fundamental importance in the event of theft of the tractor. The location of the various identification data is shown below.

TRACTOR CHASSIS FRAME IDENTIFICATION DATA PLATE – Fig. 1

The tractor's frame number is stamped over the front support (1).

Indicate below the corresponding serial number.

No. _____



MDM0527A

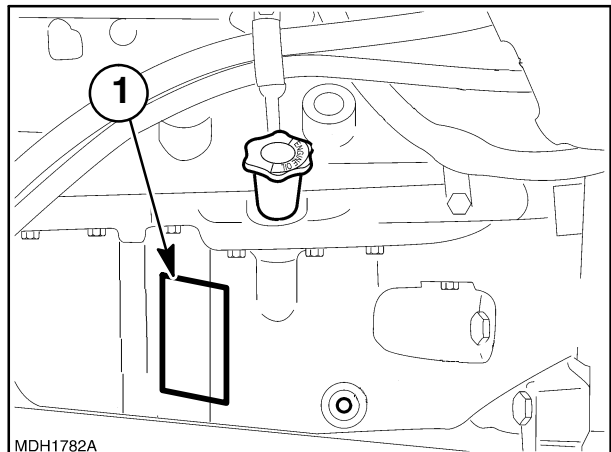
1

ENGINE IDENTIFICATION DATA PLATE (MODELS 85C AND 95C) – Fig. 2

The serial number of the engine fitted on the tractor is stamped on the right-hand side of the engine body (1).

Indicate below the corresponding serial number.

No. _____



MDH1782A

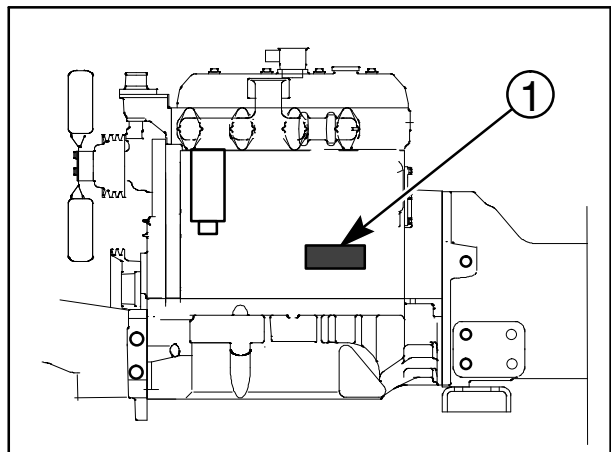
2

ENGINE IDENTIFICATION DATA PLATE (MODELS 65C AND 75C) – Fig. 3

The serial number of the engine installed on the tractor is stamped on the left side of the engine block near the hydraulic pumps (1).

Indicate below the corresponding serial number.

No. _____



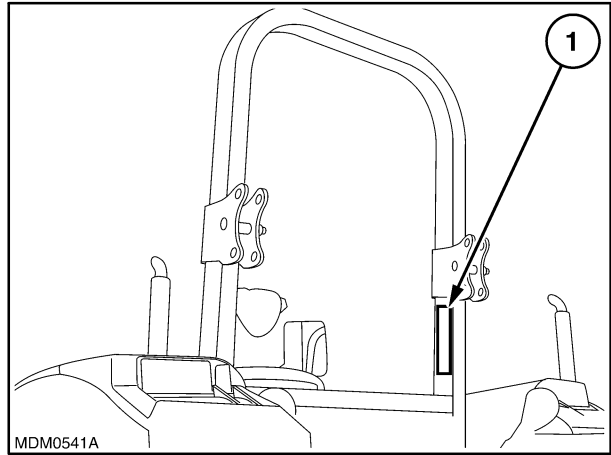
3

ROLL BAR IDENTIFICATION PLATE – Fig. 4

The plate (1) is inside the right-hand upright of the frame.

Indicate below the corresponding serial number.

No.



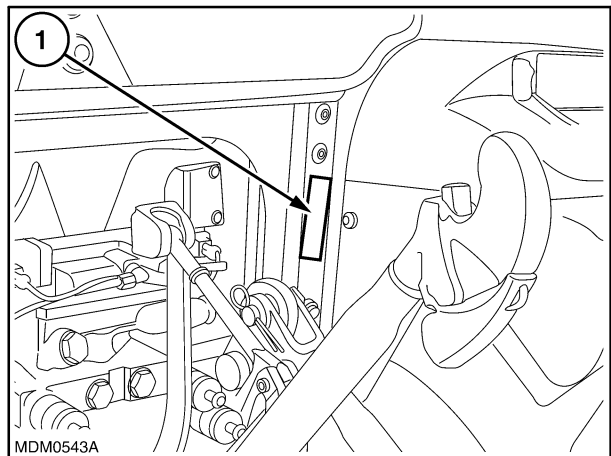
4

CAB IDENTIFICATION PLATE – Fig. 5

The cab identification plate (1) is located at the rear on the right-hand side as shown in the figure.

Indicate below the corresponding serial number.

No.



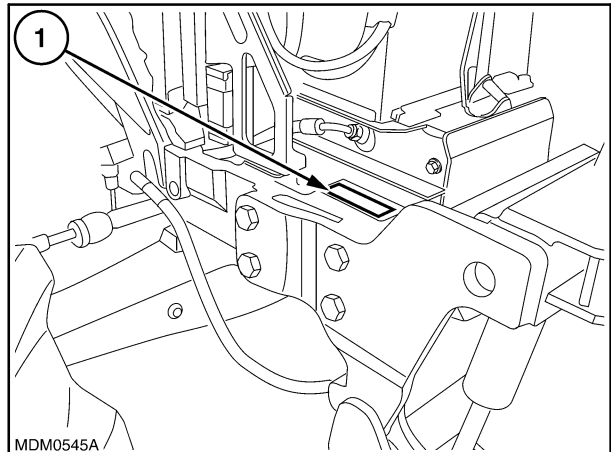
5

TRACTOR CHASSIS FRAME IDENTIFICATION DATA PLATE FOR MODELS WITH FRONT LIFT – Fig. 6

The tractor's frame number is stamped over the front support (1). It gives the identification data.

Indicate below the corresponding serial number.

No.



6

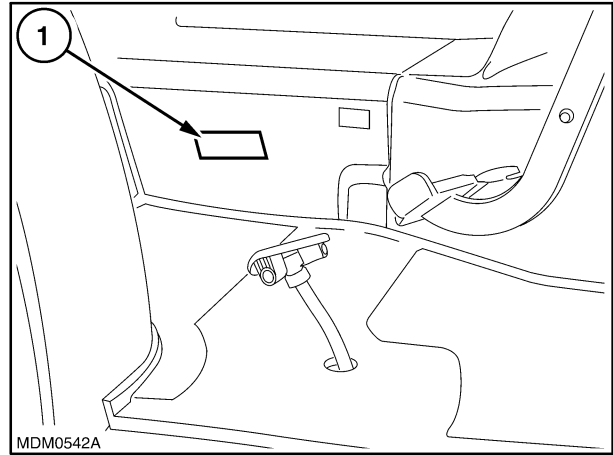
**TRACTOR TYPE-APPROVAL SUMMARY
DATA PLATE FOR MODELS WITH ROLL
BAR – Fig. 7**

The plate (1) is on the right-hand side.

NOTE: The data given on the plate are also given in figure 9.

Indicate below the corresponding serial number.

No. _____



7

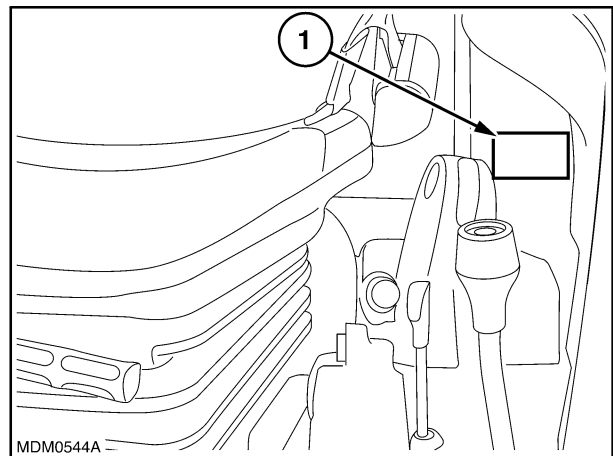
**TRACTOR TYPE-APPROVAL SUMMARY
DATA PLATE FOR MODELS WITH CAB**

The plate (1) is inside the cab on the right-hand side.

NOTE: The data given on the plate are also given in figure 9.

Indicate below the corresponding serial number.

No. _____



8

MAXIMUM TOWABLE WEIGHT

- 1. Towable non-braked mass:
..... **3500 kg (7716 lb)**
- 2. Towable mass with independent braking device:
..... **6000 kg (13228 lb)**
- 3. Towable mass with inertia braking:
2 WD **8500 kg (18739 lb)**
4 WD **9000 kg (19841 lb)**
- 4. Towable mass with assisted braking:
..... **19000 kg (41887 lb)**
..... **25000 kg (55115 lb)**

With tow bar **CNH**: **14000 kg (30865 lb)**

CNH EUROPE HOLDING S.A. MADE IN ITALY			
TYPE		CE	PG MP04
HOMOLOGATION No			
IDENTIFICATION No			
TOTAL PERMISSIBLE MASS (KG)			
PERMISSIBLE FRONT AXLE LOAD (KG)	FROM:	TO:	
PERMISSIBLE REAR AXLE LOAD (KG)	FROM:	TO:	
PERMISSIBLE TOWABLE MASS (KG)			
UNBRAKED TOWABLE MASS (KG)			1
INDEPENDENTLY BRAKE TOWABLE MASS (KG)			2
INERTIA BRAKE TOWABLE MASS (KG)			3
ASSISTED BRAKE TOWABLE MASS (KG)			4

9

Buy Now



Our support email:

ebooklibonline@outlook.com