

ORIGINAL INSTRUCTIONS

OPERATOR'S MANUAL

T6020

T6030

T6040

T6050

T6060

T6070

Elite - Tractor

Part number 47775553

5th edition English

January 2015

Replaces part number 47623973



SECTION SUMMARY

1 - General Information and Safety

2 - Controls, Instruments and Operation

3 - Field operation

4 - Lubrication and Maintenance

5 - Fault Finding

6 - Accessories

7 - Specifications

8 - First 50 hour Service Forms

9 - Index

CONTENTS

Title	Page
Section 1 - General Information and Safety	
To the Owner	1-1
Product Identification	1-3
Ecology and the Environment	1-7
Safety Precautions	1-8
Safety Decals	1-16
International Symbols	1-24
Airborne Noise Emission	1-25
Section 2 - Controls, Instruments and Operation	
Cab	2-6
Seats	2-26
Handbrake, Throttle and Foot Controls	2-31
Instrument Console	2-33
Analogue/Digital Instruments	2-36
Electro Command Transmission (16 x 16 and 17 x 16)	2-65
Differential Lock and Four Wheel Drive	2-82
Section 3 - Field Operation	
Important Information	3-2
Using Jump Leads (Booster Cables)	3-9
Starting the Engine	3-10
Stopping the Engine	3-13
Engine Power Management	3-15
Fast Steer	3-30
Rear Power Take-Off	3-32
Front Power Take-Off and Hydraulic Lift	3-53
Electronic Draft Control	3-61
Remote Control Valves	3-73
Electro-Hydraulic Remote Control Valves	3-83
Additional Oil Supply for Remote Services	3-95
Using Remote Hydraulic Equipment	3-97
Three-point Linkage	3-99
Quick Hitch	3-106
Linkage Stabilisers	3-108
Drawbars and Towing Attachments	3-113
Hydraulic Trailer Brakes	3-130
Air-Operated Trailer Brakes	3-132
Front Wheel Track Adjustment	3-137
Rear Wheel Track Adjustment	3-145
Ballasting and Tyres	3-154

Section 4 - Lubrication and Maintenance

General Information	4-1
Tractor jacking points	4-7
Guard Removal	4-8
Lubrication and Maintenance Chart	4-13
Servicing: When Warning Lights Illuminate	4-15
10-hour/daily service	4-19
50-hour service	4-21
100-hour service	4-33
300-hour service	4-33
600-hour service	4-37
1200-hour/12 month service	4-44
1200-hour/24 month service	4-52
Every 3 years	4-58
3600-hour/48 month service	4-59
General Maintenance - as required	4-63
Protecting the electrical system	4-78
Storing the tractor	4-79

Section 5 - Fault Finding

Introduction	5-1
Engine	5-2
Transmission - 16 x 16 (17 x 16) Electro Command	5-5
Hydraulics	5-6
Three-point lift	5-7
Brakes	5-8
Cab	5-8
Electrical	5-9

Section 6 - Accessories

Auxiliary Headlights	6-2
Battery Isolator Switch	6-2
Loader Subframe and Control Valve (Joystick)	6-3
Front-end loader fixation points	6-7

Section 7 - Specification

General Dimensions 7-2
Vehicle Weights 7-10
Lubricant and Fluid Capacities 7-11
Engine 7-12
Fuel System 7-12
Cooling System 7-13
Transmission Options 7-13
Brakes 7-14
Rear Power Take-Off 7-14
Front Power Take-Off 7-15
Steering 7-15
Maximum Operating Angle 7-15
Hydraulic System 7-16
Rear Three-Point Hitch 7-16
Remote control valves 7-19
Front Three-Point Hitch 7-19
Front Remote Valves 7-20
Electrical Equipment 7-20
Hardware Torque Tables 7-21

Section 8 - First 50-hour Service Forms 8-1

Section 9 - Index 9-1



All data given in this manual is subject to production variations. The dimensions and weights provided are approximate values only and some machine features shown in this manual may not correspond to standard models. For precise information on specific models, features and specifications, please contact your authorised dealer.

METRIC AND IMPERIAL UNITS ABBREVIATIONS

TYPICAL APPLICATIONS	RECOMMENDED SI (METRIC) UNITS		IMPERIAL UNIT	
	NAME	SYMBOL	NAME	SYMBOL
AREA				
Land area	hectare	ha	acre	ha
	square meter	m ²	square foot	ft ²
	square millimetre	mm ²	square inch	in ²
	square millimetre	mm ²	square inch	in ²
ELECTRICITY				
	ampere	A	ampere	A
	volt	V	volt	V
	microfarad	μF	microfarad	μF
	ohm	Ω	ohm	Ω
FORCE				
	kilonewton	kN	pound	lb
	newton	N	pound	lb
FORCE PER LENGTH				
	newton per metre	N/m	pound per inch	lb/in
FREQUENCY				
	megahertz	MHz	Megahertz	MHz
	kilohertz	kHz	kilohertz	kHz
	hertz	Hz	hertz	Hz
FREQUENCY - ROTATIONAL				
	revolution per minute	r/min	revolution per minute	r/min ^(a)
		rpm		rpm
LENGTH				
	kilometre	km	mile	mi
	meter	m	foot	ft
	centimetre	cm	inch	in
	millimetre	mm	inch	in
	micrometer	μm		
MASS				
	kilogram	kg	pound	lb
	gram	g	ounce	oz
	milligram	mg		

TYPICAL APPLICATIONS	RECOMMENDED SI (METRIC) UNITS		IMPERIAL UNIT	
	NAME	SYMBOL	NAME	SYMBOL
POWER				
	kilowatt	kW	horsepower	Hp
	watt	W	Btu per hour Btu per minute	Btu/hr Btu/min
PRESSURE or STRESS (FORCE PER AREA)				
	kilopascal	kPa	pound per square inch inch of mercury	psi inHg
	pascal	Pa	inch of water	inH ₂ O
	megapascal	Mpa	pound per square inch	psi
TEMPERATURE (other than THERMODYNAMIC)				
	degrees Celsius	°C	degrees Fahrenheit	°F
TIME				
	hour	h	hour	h
	minute	min	minute	min
	second	s	second	s
TORQUE (includes BENDING MOMENT, MOMENT OF FORCE, and MOMENT OF A COUPLE)				
	newton meter	N m N m	pound foot pound inch	lb ft lb in
VELOCITY				
	kilometre per hour	km/h	mile per hour	mph
	meter per second	m/s	foot per second	ft/s
	millimetre per second	mm/s	inch per second	in/s
	meter per minute	m/min	foot per minute	ft/min
VOLUME (includes CAPACITY)				
	cubic meter	m ³	cubic yard	yd ³ cu yd
	litre	l	cubic inch	in ³
	litre	l	US gallon UK gallon US quart UK quart	US gal UK gal US qt UK qt
	millimetre	ml	fluid ounce	fl oz

TYPICAL APPLICATIONS	RECOMMENDED SI (METRIC) UNITS		IMPERIAL UNIT	
	NAME	SYMBOL	NAME	SYMBOL
VOLUME PER TIME (includes DISCHARGE and FLOW RATE)				
	cubic meter per minute	m ³ /min	cubic foot per minute	ft ³ /min
	litre per minute	l/min	US gallon per minute	US gal/min
	millilitre per minute	ml/min	UK gallon per minute	UK gal/min
SOUND POWER LEVEL and SOUND PRESSURE LEVEL				
	decibel	dB	decibel	dB

SECTION 1

GENERAL INFORMATION AND SAFETY

TO THE OWNER

GENERAL

This Manual has been prepared to assist you in the correct procedure for running-in, driving and operating and for the maintenance of your new tractor. Read this Manual carefully. Your tractor is intended for use in normal and customary agricultural applications.

If at any time you require advice concerning your tractor, do not hesitate to contact your authorised dealer. He has factory trained personnel, genuine manufacturers' parts and the necessary equipment to carry out all your service requirements.

Your tractor has been designed and built to give maximum performance, economy and ease of operation under a wide variety of operating conditions. Prior to delivery, the tractor was carefully inspected, both at the factory and by your dealer to ensure that it reaches you in optimum condition. To maintain this condition and ensure trouble-free operation, it is important that the routine services, as specified in Section 4 of this Manual, are carried out at the recommended intervals.

OPERATORS MANUAL

The Operators Manual supplied with your tractor is an important source of information and should be stored safely.

The manual is prepared specifically for your tractor so it is important that you make a note of the print number and issue date which can be found on the cover. In the event the manual is lost or damaged it can be replaced with the correct version.

A storage pocket for the Operators Manual can be found on the rear of the seat. The manual should be kept in this pocket at all times when not in use.

SAFETY

Pages 1-8 to 1-36 inclusive list the precautions to be observed to ensure your safety and the safety of others. Read the safety precautions and follow the advice offered **before** operating the tractor.

CLEANING THE TRACTOR

Your tractor is a state-of-the-art machine with sophisticated, electronic controls. This should be taken into consideration when cleaning the tractor, particularly if using a high pressure washer. Even though every precaution has been taken to safeguard electronic components and connections, the pressure generated by some of these machines is such that complete protection against water ingress cannot be guaranteed.

When using a high pressure washer, do not stand too close to the tractor and avoid directing the jet at electronic components, electrical connections, breathers, seals, filler caps, etc. Never direct a cold water jet at a hot engine or exhaust.

ELECTRO-MAGNETIC INTERFERENCE (EMC)

This tractor complies strictly with the European Regulations on electro-magnetic emissions. However, interference may arise as a result of add-on equipment which may not necessarily meet the required standards. As such interference can result in serious malfunction of the unit and/or create unsafe situations, you must observe the following:

- Ensure that each piece of non-New Holland equipment fitted to the tractor bears the CE mark.
- The maximum power of emission equipment (radio, telephones, etc.) must not exceed the limits imposed by the national authorities of the country where you use the tractor.
- The electro-magnetic field generated by the add-on system should not exceed 24 V/m at any time and at any location in the proximity of electronic components.

Failure to comply with these rules will render the New Holland warranty null and void.

FIRST 50 HOUR SERVICE

In Section 8, at the back of this Manual, you will find the 50-hour service reports.

IMPORTANT: *It is important the 50 hour service is carried out as recommended to ensure your tractor provides optimum performance and efficiency.*

After you have operated the tractor for 50 hours, take your tractor, together with this Manual, to your dealer. He will then perform the factory recommended 50 hour service and complete the service report sheets (pages 8-1 and 8-3). The first sheet (page 9-1) is the dealer's copy and should be removed by the dealer after the service has been carried out. The second sheet (page 8-3) is your copy of the service performed. **Ensure that you and the dealer sign both copies.**

SERVICE PARTS

It should be pointed out that genuine parts have been examined and approved by the Company. The installation and/or use of 'non-genuine' products could have negative effects upon the design characteristics of your tractor and thereby affect its safety. The Company is not liable for any damage caused by the use of 'non-genuine' parts and accessories. Only genuine New Holland replacement parts should be used. The use of non-genuine parts may invalidate legal approvals associated with this product.

It is prohibited to carry out any modifications to the tractor unless specifically authorised, in writing, by the After Sales Service department of the Company.

WARRANTY

Your tractor is warranted according to legal rights in your country and the contractual agreement with the selling dealer. No warranty shall, however, apply if the tractor has not been used, adjusted and maintained according to the instructions given in the Operator's Manual.

BIODIESEL FUELS

IMPORTANT: *Before using Biodiesel fuels in your tractor, refer to the information on page 4-5 regarding the storage and use of Biodiesel fuels.*

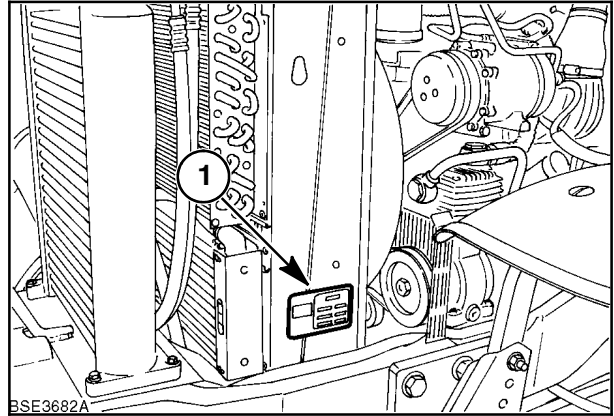
EMISSION CONTROLS

ATTENTION: *The engine and fuel system on your machine is designed and built to government emissions standards. Tampering by dealers, customers, operators and users is **strictly prohibited by law**. Failure to comply could result in government fines, rework charges, invalid warranty, legal action and possible confiscation of the machine until rework to original condition is completed. Engine service and/or repairs must be done by a certified technician only!*

PRODUCT IDENTIFICATION

The tractor and major components are identified using serial numbers and/or manufacturing codes. Tractor identification data must be supplied to the dealer when requesting parts or service and will also be needed to aid in identifying the tractor if it is ever stolen.

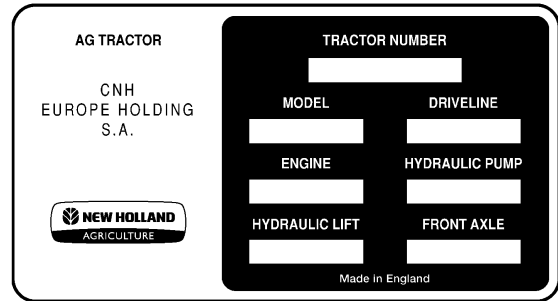
The following provides the locations of the identification data.



1

Vehicle Identification Plate

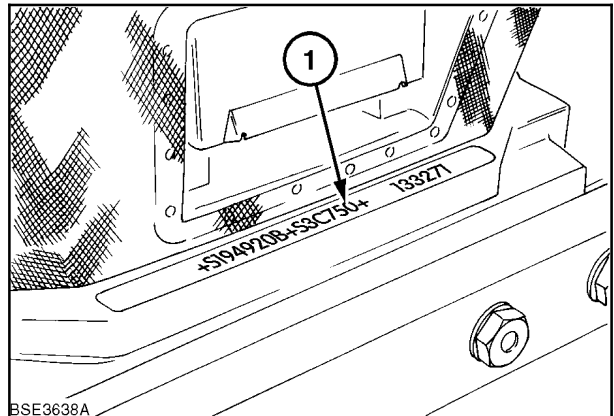
The vehicle identification plate, (1) Figure 1 is located on the left-hand radiator support. Record the information on the sample identification plate provided below.



2

Tractor Identification

The serial number and model identification information is stamped on the top of the front support (1). These numbers are also repeated on the vehicle identification plate reproduced above.



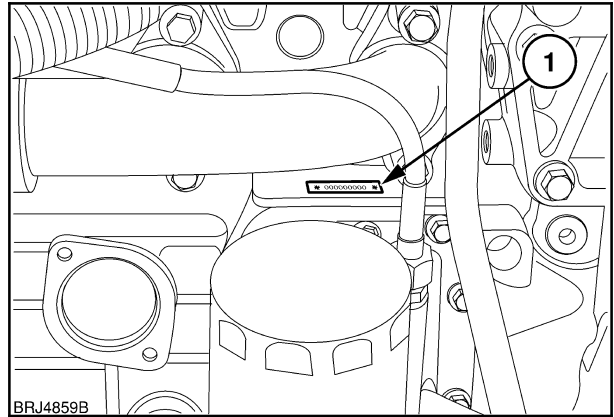
3

SECTION 1 - GENERAL INFORMATION AND SAFETY

Engine Information

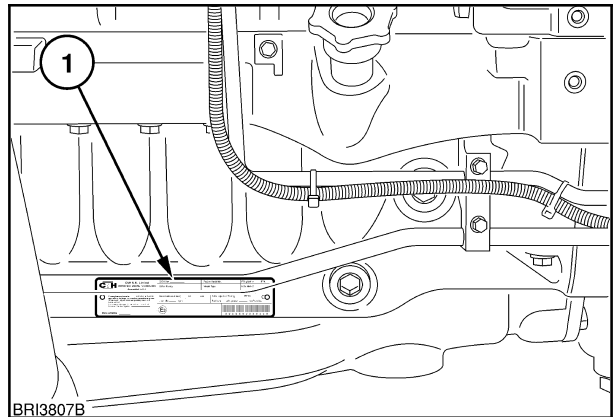
The engine serial number and date of manufacture are stamped on the right-hand side of engine block (1), below the manifold. Record the number below.

Engine Serial No. _____



4

The engine serial number is repeated on the information plate located on the left side of the engine oil pan.



5

Further information relating to engine adjustments and emission level compliance are also shown on the engine information plate.

NOTE: The details displayed on the engine information plate may change according to the country in which the tractor is sold.

	CNH U.K. Limited IMPORTANT ENGINE INFORMATION Assembled in UK	CID/Litre	Engine Serial No.	FEL g/kW-hr	EPA
	This engine conforms to Regulations for large non-road compression ignition diesel engines. This engine is designed to operate on commercially available diesel fuel. When making adjustments set parking brake and block wheels.	US, E.P.A. & California	E.P.A. Family	Model Type	NOx+NMHC
Date of Manufacture		Advertised BHP/kW	rpm	Engine Model	PM
	Valve Lash Cold (mm)	Inlet	Exh.	Initial Injection Timing	BTDC
Low Idle	rpm	Fuel rate @ advertised power		mm ³ /Stroke	
e3	e3	 3 8 1 9 3 1 8 7 5 2 0 6 7 8			

Thank you so much for reading.
Please click the “Buy Now!”
button below to download the
complete manual.



After you pay.

You can download the most
perfect and complete manual in
the world immediately.

Our support email:

ebooklibonline@outlook.com