

# OPERATOR'S MANUAL

---

**T6.110**

**T6.120**

**T6.130**

Tractor

**Part number 47793388**

1<sup>st</sup> edition English

November 2016



# Contents

---

## 1 GENERAL INFORMATION

Note to the Owner .....	1-1
Part identification .....	1-3
Product identification .....	1-3
Ecology and environment .....	1-5
Run-in period of a new machine.....	1-6
International symbols .....	1-7
Noise levels.....	1-8

## 2 SAFETY INFORMATION

Safety rules .....	2-1
Roll over protective structure (ROPS) (ROPS) .....	2-2
Safety rules .....	2-2
Safety Decals - Cab models .....	2-3
Safety Decals – Models without cab .....	2-10
Before operating the tractor .....	2-15
Driving the vehicle .....	2-15
Operating the machine .....	2-16
Power take off (PTO) operation .....	2-17
Maintenance.....	2-18
Diesel fuel .....	2-20
Fire or explosion prevention .....	2-20
Intended use statement .....	2-22

## 3 CONTROLS AND INSTRUMENTS

### Access to operator's platform

General check .....	3-1
Machine access .....	3-2
Rear view mirrors.....	3-3
Platform - Overview .....	3-4
Cab - Overview .....	3-5

### Operator's seat

Operator's seat .....	3-6
Shoulder belt .....	3-8

### Instructional seat

Passenger's seat .....	3-9
------------------------	-----

### Forward controls

Ignition key .....	3-9
Warning lights .....	3-10
Service light .....	3-11
Multi-function handle .....	3-11

---

Shuttle lever .....	3-12
Clutch pedal .....	3-12
Foot throttle pedal .....	3-12
Pedals of brake .....	3-13
Steering column .....	3-13

## Left-hand side controls

Park brake .....	3-14
Power Take-Off (PTO) .....	3-14
Diagnose socket .....	3-14

## Right-hand side controls

Right side post controls .....	3-15
Power Take-Off (PTO) .....	3-16
Planters block valve switch .....	3-17
Switch – Cruise control .....	3-17
Air conditioner .....	3-18
Differential lock .....	3-20
Hand throttle .....	3-21
Traction Front Wheel Drive (FWD) .....	3-21
Creeper .....	3-22
Performance monitor .....	3-22
Control levers of the hydraulic system .....	3-22
Control levers of the remote valves .....	3-23
Transmission controls .....	3-23
Radio (if equipped) .....	3-24
Auxiliary electrical outlet .....	3-25

## Rearward controls

Harness routing of the monitor .....	3-26
--------------------------------------	------

## Instrument panel

Instrument panel .....	3-27
Gauges .....	3-29

# 4 OPERATING INSTRUCTIONS

## Commissioning the unit

General instructions .....	4-1
Filling the fuel tank .....	4-1

## Starting the unit

Starting the engine .....	4-2
Booster battery procedure .....	4-3

## Stopping the unit

Stopping the engine .....	4-4
---------------------------	-----

## Moving the unit

Machine direction - General safety recommendations for driving the machine ..... 4-5

## 5 TRANSPORT OPERATIONS

### Preparing for road transport

Machine loading ..... 5-1

### Recovery transport

Towing the machine ..... 5-1

## 6 WORKING OPERATIONS

### GENERAL INFORMATION

Traction Front Wheel Drive (FWD) ..... 6-1

Differential lock system ..... 6-2

### TRANSMISSION

Transmission operation Synchro Shuttle™ - 8x8 ..... 6-3

Travel speeds - Synchro Shuttle™ Transmission - 8x8 ..... 6-4

Transmission operation Power shuttle™ - 8x8 (optional) ..... 6-5

Travel speeds - Power Shuttle™ Transmission - 8x8 (optional) ..... 6-6

Transmission operation Power Shuttle™ - 16 x 8 (optional) ..... 6-7

Travel speeds - Power Shuttle™ Transmission - 16 x 8 (optional) ..... 6-9

Reverse Alarm and Light ..... 6-10

Operation the creeper (Optional) ..... 6-10

Decal information speeds ..... 6-11

### POWER TAKE OFF (PTO)

Power Take-Off (PTO) safety rules ..... 6-13

Power Take-Off (PTO) Independent ..... 6-14

Power Take-Off (PTO) operation ..... 6-15

PTO interchangeable shaft ..... 6-16

### HYDRAULICS

Hydraulics ..... 6-17

Operation in position control ..... 6-18

Operation in sensitivity control ..... 6-19

### HYDRAULIC REMOTE CONTROL VALVES

Hydraulic remote control valves ..... 6-20

Remote control valves – Planter function ..... 6-21

Operating continuous flow hydraulic equipment ..... 6-23

Operating single-acting hydraulic cylinders ..... 6-24

Operating double-acting hydraulic cylinders ..... 6-26

---

Operating two or more remote control valves .....	6-26
Remote control valves – Motor kit (when present) .....	6-27
Hydraulic oil free-flow return .....	6-28
Bleeding the hydraulic system .....	6-28
Installing attachments .....	6-29

## THREE-POINT HITCH

Attach the implement on the hydraulic lift .....	6-32
Setups of the three-point hydraulic lift .....	6-33
Setups the telescopic stabilizer .....	6-35
Quick hitch (when available) .....	6-37

## Tractor drawbar

Attaching a trailer .....	6-40
Safety chain .....	6-40
Adjusting the drawbar sliding .....	6-41

## WHEEL TRACK ADJUSTMENT

Front wheel tread settings .....	6-42
Setups the front axle stops .....	6-45
Front wheel alignment .....	6-45
Front wheel fenders .....	6-46
Rear axle flange type (where fitted) .....	6-48
Rear axle bar type (where fitted) .....	6-50
Dual rear wheels (where fitted) .....	6-53

## BALLASTING AND TIRES

Tires – Wheels .....	6-54
Tires .....	6-57
Tires – Parts of the tire .....	6-58
Tire types – For the application .....	6-58
Tires – General features .....	6-59
Tires – Compatibility of front x rear tires .....	6-62
Tractor ballasting .....	6-64
Tractor ballasting .....	6-67
Tires - Compatibility table .....	6-68
Ballasting solid .....	6-70
Liquid ballast .....	6-72
Liquid ballast – Capacity table .....	6-75
Tires – Recommendations for calibration .....	6-79
Tires - Calibration .....	6-80
Tire pressures and permissible loads .....	6-81

## AUXILIARY POWER CONNECTIONS

Auxiliary electrical outlet .....	6-83
-----------------------------------	------

## 7 MAINTENANCE

### General information

Introduction .....	7-1
Fuel handling precautions .....	7-3
Diesel fuel .....	7-5
Specifications - Biodiesel fuel .....	7-6
General instructions from the machine .....	7-8
Protective devices .....	7-9

### Maintenance planning

Maintenance chart .....	7-11
-------------------------	------

### WHEN THE WARNING LAMP LIGHTS

Air filter .....	7-13
Fuel filter water separator .....	7-15

### EVERY 10 HOURS OR DAILY SERVICE

Engine Oil Level .....	7-16
Cleaning the radiators .....	7-17
Engine coolant concentration level .....	7-18
Battery .....	7-19
Air conditioning filter drier .....	7-20

### FIRST 50 HOURS

First 50 hours .....	7-21
----------------------	------

### EVERY 50 HOURS

Cab air filter .....	7-22
Cab air recirculation filter .....	7-23
Lubrication points .....	7-24
Fuel filter .....	7-27
Hydraulic system oil level .....	7-27
Brake fluid reservoir level .....	7-28

### EVERY 300 HOURS

Fuel filters .....	7-29
Front Axle Oil .....	7-30
Service brakes .....	7-30
Engine drive belt .....	7-31
Front axle grease fittings .....	7-31
Park brake .....	7-32
Activated charcoal filter – (when installed) .....	7-33

### EVERY 600 HOURS

Engine Oil & Filter .....	7-34
Engine air filter .....	7-35
Cab air filter .....	7-35
Cab recirculation filter .....	7-36

---

Transmission / hydraulic oil filters .....	7-36
Engine valve clearance.....	7-37
Fuel injection system .....	7-37
Wheel hub oil .....	7-38
Wheel nuts tightening torque.....	7-38

## EVERY 1200 HOURS OR ANNUALLY

Fuel injectors .....	7-39
Rear axle oil reservoir .....	7-39
Front Axle Oil .....	7-40
Engine air filter .....	7-40
Autopilot valve filter.....	7-41

## Every 4000 hours or every 4 years

Engine coolant replacement.....	7-42
---------------------------------	------

## GENERAL MAINTENANCE

Windshield washer reservoir.....	7-45
Work lights.....	7-45
Air conditioning system.....	7-45
Brake system .....	7-46
Fuel injection system .....	7-47
Lamps and bulbs .....	7-48
Battery .....	7-50
Fuel tank vent filter .....	7-51
Engine drive belt.....	7-52
Fuse and relay box – Models without cab .....	7-55
Fuse and relay box - Cab models .....	7-58
Fuse and relay box – Models with cab and with Auto Guidance .....	7-61
Cab .....	7-64
Protecting the electronic and electrical systems during battery charging or welding..	7-65

## Storage

Machine storage.....	7-66
Preparation for use after storage.....	7-67

## 8 TROUBLESHOOTING

### Symptom(s)

Motor .....	8-1
Hydraulics .....	8-2
Three-point hitch .....	8-3
Cab .....	8-3
Electrical.....	8-3

## 9 SPECIFICATIONS

Machine overall dimensions – Models without cab .....	9-1
Machine overall dimensions – Cab models .....	9-2
Weight from the machine .....	9-3

---

Capacities .....	9-3
Motor .....	9-5
Drive .....	9-5
Power Take-Off (PTO) .....	9-5
Steering.....	9-5
Hydraulics .....	9-6
Three-point hitch .....	9-6
Brakes .....	9-6
Electrical.....	9-7
Radio (if equipped) .....	9-7





# 1 - GENERAL INFORMATION

## Note to the Owner

### General Information

This manual has been prepared to assist you in the correct procedure for running in, driving and operating your new machine, and for its maintenance. Read this manual carefully. Your machine is designed to be used in normal and customary agricultural applications.

If you require advice concerning your machine at any time, do not hesitate to contact your NEW HOLLAND dealer. He has factory trained personnel, genuine manufacturers' parts and the necessary equipment to carry out all your service requirements.

The specification are provided for your information and guidance. For further information concerning your machine and equipment, consult your NEW HOLLAND dealer.

All data given in this book is subject to production variations. Dimensions and weight are approximate only. The illustrations do not necessarily show machines in standard condition or imply that these features are available in all countries. For exact information about a particular machine, see your NEW HOLLAND dealer.

Your machine has been designed and built to give maximum performance, economy and ease of operation under a wide variety of operating conditions. Prior to delivery, the machine was carefully inspected, both at the factory and by your dealer, to ensure that it reaches you in optimum condition. To keep it in this condition and guarantee that its operation is problem-free, it is important that routine service procedures, as specified in the maintenance table on page 7-11, are carried out at the recommended intervals.

### Operator's manual storage

The operator's manual supplied with your machine is an important source of information and should be stored safely.

The manual has been written specifically for your tractor so it is important that you make a note of the print number and issue date, which can be found on the cover. In the event the manual is lost or damaged it can be replaced with the correct version.

### About this manual

This manual gives information for use of your machine, as intended and under the conditions foreseen by the manufacturer during normal operation and routine service and maintenance.

Read and understand it; keep it in good condition and always keep it in a safe place.

This manual does not contain all the information related to periodical service, converting and repairs to be carried out by NEW HOLLAND professional service personnel.

The Table of Contents page(s) are provided to have an overview of main manual's topics. A detailed alphabetic index is available at the end of this manual for locating specific items.

### Normal operation

- Normal operation means the use of the machine for the purpose intended by the manufacturer by an operator familiar with the machine and the mounted or towed equipment and complying with the information for operation and safe practices, as specified by the manufacturer in this manual and by the decals on the machine and the equipment.
- Normal operation includes preparing and storing the machine, swinging components into and out of work position, adding and removing ballast, and connecting and removing accessories.
- Normal operation includes adjusting and setting up the machine and equipment, for the specific condition of the field and/or the crop.

### Routine service

- Routine servicing and maintenance means activities that must be performed daily by an operator familiar with the machine's characteristics and in compliance with the routine servicing information and with safe practice, as specified by the manufacturer in this manual and by decals on the machine, in order to keep it working properly. The routine service includes activities such as filling up, cleaning, washing, topping up fluid, applying grease, and replacing consumable items such as bulbs.

### Converting, periodical service and repair

- Periodic servicing means activities that must be performed at given intervals by trained personnel familiar with the machine's characteristics and in compliance with the periodic servicing information and with safe practice, as specified by the manufacturer in this manual and in other company literature, in order for the machine to keep to its expected working lifespan.
- Conversion means activities that must be performed by professional service personnel familiar with the machine's characteristics and in compliance with the conversion information, as specified by the manufacturer

in this manual, as well as with other company instructions or literature, in order to prepare the machine for a specific configuration.

- Repair means activities that must be performed by professional service personnel familiar with the machine's characteristics and in compliance with the repair information, as specified by the manufacturer in the dealer's manual, in order to restore the machine to correct working order following a fault or reduced performance.

## Cleaning the machine

When using a high pressure washer, do not stand too close to the machine and avoid directing the jet at electronic components, electrical connections, breathers, seals, filler necks, etc. Never direct a cold water jet at a hot engine or exhaust.

Failure to comply with these rules will render the warranty null and void.

## Security

The pages in Section 2 list the precautions to be observed to ensure your safety and the safety of others. Read the safety precautions and follow the advice offered before operating the machine.

## Replacement Parts

It should be pointed out that genuine parts have been examined and approved by the Company. Fitting and/or using non-genuine products could have negative effects on the design characteristics of your machine, thereby affecting its safety. The Company is not liable for any damage caused by the use of 'non-genuine' parts and

accessories. Only genuine replacement parts should be used. The use of non-genuine parts may invalidate legal approvals associated with this product.

Making any modifications to the machine is prohibited, without specific written authorization from the manufacturer's After Sales Service department.

## Warranty

Your machine is warranted according to legal rights in your country and the contractual agreement with the selling dealer. No warranty shall, however, apply if the machine has not been used, adjusted and maintained as per the instructions given in this operator's manual.

## Using Biodiesel

Before using biodiesel in your machine, refer to the information on page 7-6 as regards storing and using biodiesel.

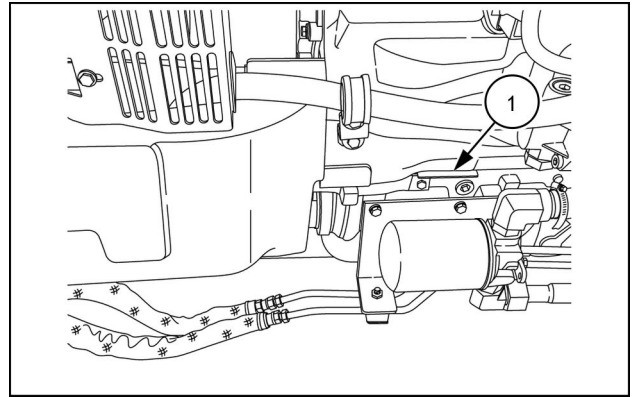
## Tampering with the engine or fuel system

**ATTENTION:** *Your machine's engine and the fuel system were designed and configured to meet the emissions standards required by the laws in your country or region. Dealers, customers, operators, and users are strictly prohibited from tampering with the machine's factory settings. Failure to comply with this rule invalidates the machine's warranty and could result in government fines, legal action, and possible confiscation of the machine until rework to original condition is completed. Engine maintenance and repairs must be done by an authorized technician only.*

## Part identification

The engine identification code is stamped on the left-hand side of the engine. Make a note of the code in the space below.

Engine identification code: \_\_\_\_\_



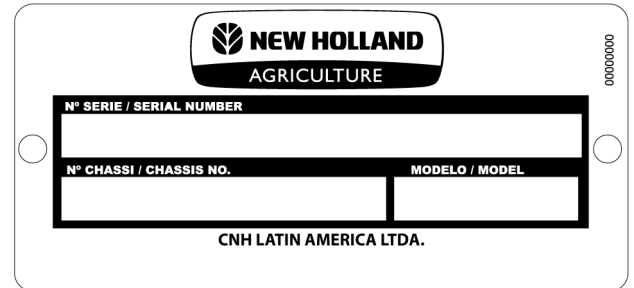
CUIL14TR00566AA 1

## Product identification

Your machine and its main components are identified by codes. These codes facilitate identification of your machine. You must give them to your NEW HOLLAND dealer when requesting replacement parts or servicing. The following information indicates where the identification codes are stamped.

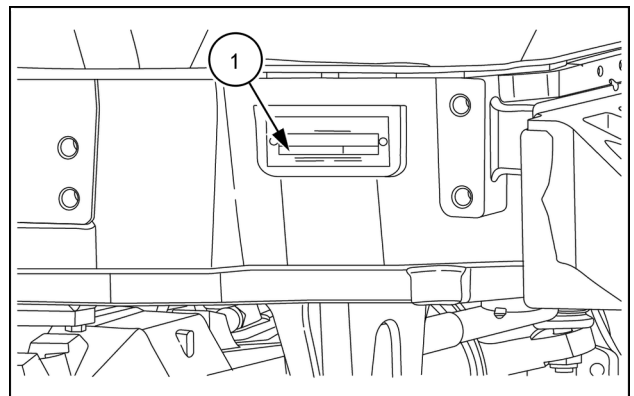
### Machine identification plate

The plaque with the Product Identification Number (PIN) is on the right-hand side of the front axle support.



CUIL15TR00484AA 1

Identification plate (1) on the front axle support.



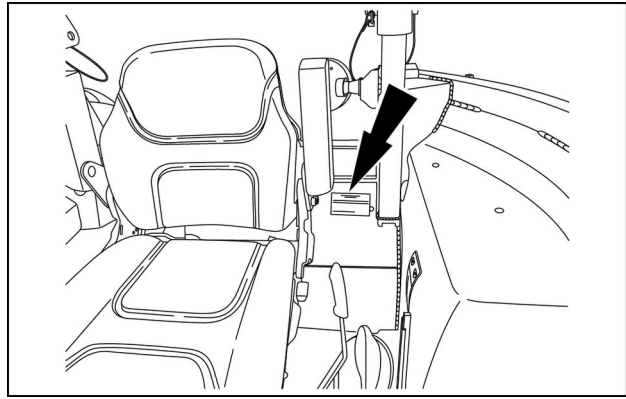
CUIL14TR00363AA 2

## 1 - GENERAL INFORMATION

---

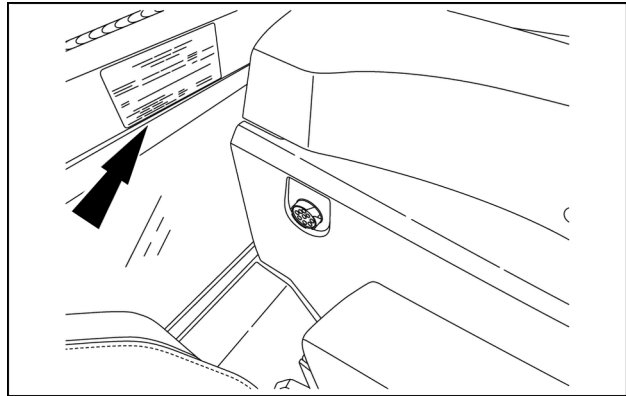
A plate in the rear of the cab/platform provides information about the Rollover Protective Structure (ROPS) and the maximum permissible weight of the machine.

Figure 3: Location for models without cab.



CUIL14TR00372AA 3

Figure 4: Location for models with cab.



CUIL14TR00385AA 4

## Ecology and environment

Soil, air, and water quality is important for all industries and life in general. When legislation does not yet rule the treatment of some of the substances that advanced technology requires, sound judgment should govern the use and disposal of products of a chemical and petrochemical nature.

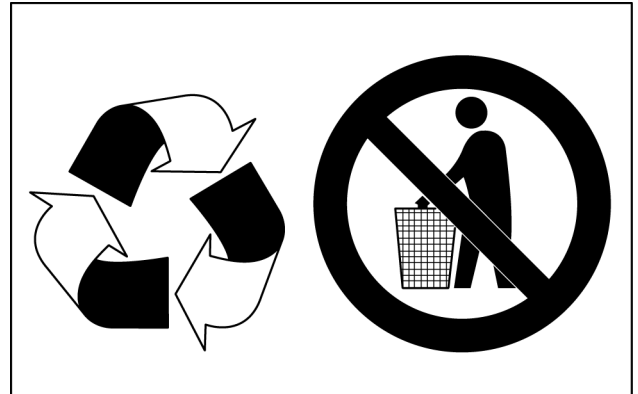
Familiarize yourself with the relative legislation applicable to your country, and make sure that you understand this legislation. Where no legislation exists, obtain information from suppliers of oils, filters, batteries, fuels, anti-freeze, cleaning agents, etc., with regard to the effect of these substances on man and nature and how to safely store, use, and dispose of these substances. Your NEW HOLLAND dealer can also provide assistance.

### Helpful hints

- Avoid the use of cans or other inappropriate pressurized fuel delivery systems to fill tanks. Such delivery systems may cause considerable spillage.
- In general, avoid skin contact with all fuels, oils, acids, solvents, etc. Most of these products contain substances that may be harmful to your health.
- Modern oils contain additives. Do not burn contaminated fuels and or waste oils in ordinary heating systems.
- Avoid spillage when you drain fluids such as used engine coolant mixtures, engine oil, hydraulic fluid, brake fluid, etc. Do not mix drained brake fluids or fuels with lubricants. Store all drained fluids safely until you can dispose of the fluids in a proper way that complies with all local legislation and available resources.
- Do not allow coolant mixtures to get into the soil. Collect and dispose of coolant mixtures properly.
- Do not open the air-conditioning system yourself. It contains gases that should not be released into the atmosphere. Your NEW HOLLAND dealer or air-conditioning specialist has a special extractor for this purpose and can recharge the system properly.
- Repair any leaks or defects in the engine cooling system or hydraulic system immediately.
- Do not increase the pressure in a pressurized circuit as this may lead to a component failure.

### Battery recycling

Batteries and electric accumulators contain several substances that can have a harmful effect on the environment if the batteries are not properly recycled after use. Improper disposal of batteries can contaminate the soil, groundwater, and waterways. NEW HOLLAND strongly recommends that you return all used batteries to a NEW HOLLAND dealer, who will dispose of the used batteries or recycle the used batteries properly. In some countries, this is a legal requirement.



NHIL14GEN0038AA 1

### Mandatory battery recycling

**NOTE:** The following requirements are mandatory in Brazil.

Batteries are made of lead plates and a sulfuric acid solution. Because batteries contain heavy metals such as lead, CONAMA Resolution 401/2008 requires you to return all used batteries to the battery dealer when you replace any batteries. Do not dispose of batteries in your household garbage.

Points of sale are obliged to:

- Accept the return of your used batteries
- Store the returned batteries in a suitable location
- Send the returned batteries to the battery manufacturer for recycling

Thank you so much for reading.  
Please click the “Buy Now!”  
button below to download the  
complete manual.



After you pay.

You can download the most  
perfect and complete manual in  
the world immediately.

Our support email:

[ebooklibonline@outlook.com](mailto:ebooklibonline@outlook.com)