

ORIGINAL INSTRUCTIONS

OPERATOR'S MANUAL

Workmaster™ 33

Workmaster™ 37

Compact Tractor

Part number 47832587

1st edition English

July 2015



Contents

1 GENERAL INFORMATION

Note to the Owner	1-1
Intended use.....	1-2
Electro-magnetic compatibility (EMC).....	1-4
Manual scope and required training level	1-5
Metric and imperial units abbreviations.....	1-6
Product identification	1-8
Operator's manual storage	1-8
Machine orientation.....	1-9
Exhaust Gas Recirculation (EGR) - Diesel Particulate Filter (DPF) exhaust treatment - Product overview	1-10

2 SAFETY INFORMATION

Precautionary statements	2-1
Safety rules	2-2
Do not operate tag.....	2-9
Roll Over Protection Structure (ROPS)	2-10
Ecology and the environment	2-11
Safety signs	2-12
Instructional signs	2-24
International symbols	2-32

3 CONTROLS AND INSTRUMENTS

OPERATOR'S SEAT

Seat belt	3-1
Seat controls	3-2
Roll Over Protection Structure (ROPS)	3-3

FORWARD CONTROLS

Instrument panel.....	3-5
Engine fault codes display.....	3-7
Cruise control.....	3-10
Transmission shuttle shift lever.....	3-11
Clutch pedal	3-12
Brake pedals	3-13
Foot throttle pedal	3-14
Hand throttle lever.....	3-15
Horn switch	3-16
Power Take-Off (PTO) switch.....	3-17
Key switch	3-18
Differential lock pedal.....	3-19
Hydrostatic Transmission (HST) control pedals	3-20
Tilt steering lever	3-21
Multifunction light switch.....	3-22
DPF switch	3-23

LEFT-HAND SIDE CONTROLS

Transmission range lever	3-24
Park brake	3-25
Four wheel drive (4WD) lever	3-26
Mid Power Take Off (PTO) lever - optional	3-27

RIGHT-HAND SIDE CONTROLS

Hydraulic power lift (HPL)	3-28
Rear remote control valve(s) - optional	3-29
Mid mount two spool control valve	3-30
Transmission main shift lever	3-32

EXTERIOR CONTROLS

Hood release latch	3-33
--------------------------	------

4 OPERATING INSTRUCTIONS

COMMISSIONING THE UNIT

Engine break-in procedure	4-1
Diesel Particulate Filter (DPF) regeneration	4-2
Power Take-Off (PTO) operation	4-8
Three-point linkage	4-10
Attaching three-point equipment	4-11
Extendible drawbar	4-14
Hydraulic lift rocker	4-15
Hydraulic Power Lift (HPL) drop rate control valve	4-16

STARTING THE UNIT

Key switch	4-17
Cold starting aids	4-18
Starting the engine	4-19
Starting the tractor with jumper cables	4-22

STOPPING THE UNIT

Stopping the engine	4-23
Emergency stopping	4-24
Brakes	4-25

MOVING THE UNIT

Steering wheel adjustment	4-27
Steering operation	4-28
Transmission operation at low ambient temperatures	4-29
Hydrostatic Transmission (HST) operation	4-30
12 x 12 Synchronized transmission operation	4-32

PARKING THE UNIT

Brakes and controls - Park	4-34
----------------------------------	------

5 TRANSPORT OPERATIONS

ROAD TRANSPORT

External lighting - Identification	5-1
Hazard warning light operation	5-2
Turn signal operation	5-3
Road lights operation	5-4
Work lights operation	5-5
Rear work light (optional)	5-6
Driving the vehicle	5-7

SHIPPING TRANSPORT

Carrying the tractor on a transporter	5-8
---	-----

RECOVERY TRANSPORT

Towing	5-8
--------------	-----

6 WORKING OPERATIONS

GENERAL INFORMATION

Tractor ballasting	6-1
Tractor ballasting weights	6-2
Liquid ballast	6-4

7 MAINTENANCE

GENERAL INFORMATION

General information	7-1
Safety rules diesel fuel	7-3
Biodiesel fuel	7-3
Refueling the tractor	7-4
Organic Acid Technology (OAT) coolant	7-5
Change engine coolant to Organic Acid Technology (OAT) coolant	7-6
Fluids and lubricants	7-8
Capacities	7-8

MAINTENANCE CHART

Maintenance chart	7-9
-------------------------	-----

Every 10 hours or daily

Engine oil level	7-10
Engine cooling system	7-12

After first 50 hours

Engine oil and filter	7-13
-----------------------------	------

Pre-fuel filter	7-15
Fuel filter	7-16
Hydraulic oil filter	7-17
Hydrostatic (HST) oil filter	7-17
Roll Over Protective Structure (ROPS)	7-18
Wheels bolt/nut	7-19

Every 50 hours

Grease fittings	7-20
Transmission fluid level	7-22
Clutch pedal free play	7-23
Brake pedal free play	7-24
Hydrostatic transmission (HST) neutral adjustment	7-25
Engine belts	7-27
Tires and wheels	7-28
Front axle differential oil level	7-30
Air cleaner - outer element	7-31

Every 100 hours

Fuel filter	7-32
-------------------	------

Every 300 hours

Engine oil and filter	7-33
Hydraulic filter	7-33
Hydrostatic (HST) oil filter - HST system	7-33
Pre-fuel filter	7-33
Engine belts	7-33
Wheels bolt/nut	7-33
Air cleaner outer element	7-34

Every 500 hours

Fuel filter	7-35
-------------------	------

Every 600 hours

Front axle differential fluid	7-36
Transmission fluid	7-38

Every 1000 hours

Air cleaner inner element	7-39
Engine coolant	7-40

General maintenance

Fuel injection system - Bleed	7-42
Hydrostatic transmission (HST) neutral adjustment	7-44
Engine belts	7-44
Roll Over Protective Structure (ROPS) frame - Replace - Possible damage	7-44

Battery	7-44
Alternator	7-45
Fuses	7-46
Main fuses	7-47
Headlight bulb	7-48
Tail/brake light bulb	7-49
Turn signal/hazard light bulb	7-50
Wheels bolt/nut	7-51
Front wheels toe-in	7-51
Brake pedal free play	7-51
Clutch pedal free play	7-51

STORAGE

Storing the tractor	7-52
Removal of tractor from storage	7-53

8 TROUBLESHOOTING

SYMPTOM(S)

Engine - Troubleshooting	8-1
Clutch - Troubleshooting	8-2
Mechanical service brakes - Troubleshooting	8-2
Hydraulic Lift System - Troubleshooting	8-2
Steering - Troubleshooting	8-3
Hydrostatic transmission - Troubleshooting	8-3
Electrical system - Troubleshooting	8-4

9 SPECIFICATIONS

Wheel tread settings	9-1
Tire inflation pressures	9-2
Liquid ballast	9-3
General specifications	9-4
Tractor dimensions	9-9

10 ACCESSORIES

Optional equipment	10-1
--------------------------	------

11 FORMS AND DECLARATIONS

Delivery report - owner copy	11-3
Delivery report - dealer copy	11-5

1 - GENERAL INFORMATION

Note to the Owner

This manual contains information concerning the adjustment and maintenance of your new equipment. You have purchased a dependable machine, but only by proper care and operation can you expect to receive the performance and long service built into this equipment. Please have all operators read this manual carefully and keep it available for ready reference.

Your NEW HOLLAND dealer will instruct you in the general operation of your new equipment. (Refer to the 'Delivery Report' at the back of this manual.) Your dealer's staff of factory-trained service technicians will be glad to answer any questions that may arise regarding the operation of your machine.

Your NEW HOLLAND dealer carries a complete line of genuine NEW HOLLAND service parts. These parts are manufactured and carefully inspected to insure high quality and accurate fitting of any necessary replacement parts. Be prepared to give your dealer the model and product identification number of your new equipment when ordering parts. Locate these numbers now and record them below. Refer to the 'General Information' section of this manual for the location of the model and product identification numbers of your machine.

PLEASE RECORD THE FOLLOWING INFORMATION


Model

Product Identification Number (PIN)

Date Purchased

Engine Model

Engine PIN

	<p>This is the safety alert symbol. It is used with and without signal words to alert you to potential personal injury hazards. Obey all safety messages that follow this symbol to avoid possible death or injury.</p>
---	---

WARNING

Illustrations in this manual may show protective shielding open or removed to better illustrate a particular feature or adjustment.

Replace all shields before operating the machine.

Failure to comply could result in death or serious injury.

W0012A

IMPROVEMENTS

CNH America LLC is continually striving to improve its products. We reserve the right to make improvements or changes when it becomes practical and possible to do so, without incurring any obligation to make changes or additions to the equipment sold previously.

Intended use

INTENDED USE OF YOUR TRACTOR

Your tractor is designed to power and propel itself. The tractor is intended for agricultural use to pull or carry attachments or load and move materials when equipped with a front end loader with a variety of bucket sizes, within some physical limits. The working speed and performance may depend on a number of various parameters, such as weather and terrain conditions. Though the tractor is designed to perform in combination with a variety of equipment in most crops and conditions, there may be a number of combinations of above parameters, for which there is severe degradation of performance of the tractor and/or its mounted or trailed equipment. If you notice degradation of performance, contact your dealer for assistance. He may have useful information for improvements, or a kit may be available to enhance the performance.

- Do not use the tractor for another purpose than intended by the manufacturer and outlined in this manual.
- Do not use the tractor beyond its limits of terrain gradient and stability as outlined further in this manual. Using the tractor beyond these limits may result in roll-over or tip-over. Observe the recommendations in this manual.
- Do not use the tractor on higher speeds than allowed by the load and the environment. A wet surface or other low adherence conditions may increase the braking distance or result in vehicle instability. Always adapt your traveling speed according to the load of the vehicle and the characteristics of the road.
- Do not use the tractor near or on soft verges of canals and brooks or banks and verges that are undermined by rodents. The tractor may sink sideways and roll-over.
- Do not use the tractor on brittle bridge heads and poor bridge floors. These constructions may collapse and cause roll-over of the tractor. Always check out the condition and carrying capacity of bridges and ramps prior to engage.
- Do not use the tractor without wearing the seat restraint system during activities where roll-over or tip-over hazards exist. The ROPS cab or ROPS structure will only be fully effective when the driver remains attached to his seat.
- Do not use equipment mounted on the tractor which is not correctly matching and firmly fixed. Such equipment may increase the risk for roll-over and hit the tractor when coming loose. Ensure that the dimensions of the three-point linkage interface of both the tractor and the equipment are matching according to the categories defined in ISO 730. Ensure that the dimensions and speed of the PTO shaft on the tractors are matching those of the equipment.
- Do not use the tractor in combination with equipment, without having consulted the specific Operators Manual provided with the equipment. The tractor is a universal tool to carry, tow, and drive a variety of equipment. This manual alone cannot provide you with all the information required for the safe operation of the combination.
- Do not use the tractor beyond its limits of dynamic stability. High speed, abrupt maneuvers, and fast and short cornering will increase the risk of roll-over.
- Do not use the tractor for pulling work, in cases where you do not know whether the load will yield, for instance when pulling stumps. The tractor may flip over when the stump is not yielding.
- Be cautious that the center of gravity of the tractor may increase when loads on the front-end loader or the three-point linkage are raised. In these conditions, the tractor may roll-over earlier than expected.
- Do not step down from the tractor without shutting down the PTO, shifting the transmission to park or neutral and applying the park brake, unless continued PTO operation is required for some equipment, such as pumps or wood chippers. The latter equipment may have an emergency stop device on the equipment itself, as human intervention is needed during operation. But other equipment, engaged and driven by the tractor will have no means to stop the power transmission, other than the PTO clutch of the tractor.
- You shall take the necessary precautions to always be aware of the possible presence of bystanders, certainly when maneuvering in confined areas, such as the farm yard and sheds. Keep people away from the tractor during work; ask bystanders to leave the field. There is not only the risk to be overrun by the tractor, but objects ejected by some equipment mounted on the tractor, such as a rotary mower, may cause harm. Stones may be thrown further than the mowed crop. Pay the necessary attention while operating next to public roads or footpaths. Thrown objects can get projected outside the field and hit unprotected people like bikers or pedestrians. Wait to cut the edge of the field till it is clear of bystanders.
- Do not allow riders on the tractor; do not allow people standing on the access way or step to the cab when the tractor is moving. Your view to the left will be obstructed and a rider risks to fall from the tractor during unforeseen or abrupt movements.
- Always stay clear from implements operating area and especially do not stand between tractor and trailed vehicle either three-point linkage when operating lift controls; ensure no bystanders are near these operating areas.
- Certain functions of your tractor, if equipped with a CVT transmission, are controlled by software and some of them are safety related. Do not attempt to modify or download software from spurious sources. Settings and logics may be destroyed and affect seriously the

function of the tractor. This may result in unpredictable and unsafe behavior of the tractor. Only your dealer is entitled to intervene on the software of the tractor. He has the appropriate tools and data sets for it and owns the officially released software versions and updates for your tractor.

- Your tractor may be equipped with a number of sensors to control safety functions. Tripping these sensors will result in a safe operation mode. Do not attempt to bypass any function on the tractor. You will be exposed to serious hazards, and moreover, the behavior of the tractor may become unpredictable.
- A tractor has only one operator station and is a one man operated vehicle. Other people on or around the tractor during normal operation are not allowed.
- The machine is designed and produced exclusively for agricultural use.
- The machine is not designed for light/heavy forestry applications; usage is prohibited for forestry applications.
- All other use will be considered to be contrary to the use specified by CNH INDUSTRIAL AMERICA LLC, who cannot be held liable for damage to property or the machine, or for personal injuries which may result.
- Persons who risk improper use will therefore assume the responsibility for any consequences arising from such use.
- Compliance with the instructions for use, maintenance and repairs described in this manual, are the essential preconditions for the use specified by CNH INDUSTRIAL AMERICA LLC.
- The machine must only be used, serviced, or repaired by personnel trained in the relevant working methods and safety regulations and who have been authorized to work on the machine.
- The user must also observe the rules concerning general safety and accident prevention, including the Highway Code when driving on public highways.
- Any arbitrary modifications made to this machine will release CNH INDUSTRIAL AMERICA LLC from any liability resulting from damage or injury.
- CNH AMERICA LLC and all its distribution organizations, inclusive of, but not restricted to, national, regional, or local distributors, cannot be held liable for damage resulting from the malfunction of parts and/or components not approved by CNH INDUSTRIAL AMERICA LLC.
- Under no circumstances will a guarantee be issued for products made or sold by CNH INDUSTRIAL AMERICA LLC that are damaged as a result of the malfunction of parts and/or components not approved by CNH INDUSTRIAL AMERICA LLC.
- The use of biodiesel blends meeting Specification Standards ASTM 6751 or EN14214 are approved for your engine up to B5 (5% blend ratio). It is highly recommended to use biodiesel fuel from accredited suppliers to maintain quality and consistency of the fuel.

Electro-magnetic compatibility (EMC)

Interference may arise as a result of add-on equipment that may not necessarily meet the required standards. As such interference can result in serious malfunction of the unit and/or create unsafe situations, you must observe the following:

- The maximum power of emission equipment (radio, telephones, etc.) must not exceed the limits imposed by the national authorities of the country where you use the machine
- The electro-magnetic field generated by the add-on system should not exceed **24 V/m** at any time and at any location in the proximity of electronic components
- The add-on equipment must not interfere with the functioning of the on board electronics

Failure to comply with these rules will render the NEW HOLLAND warranty null and void.

Manual scope and required training level

Introduction to this Manual

This manual gives information for use of your NEW HOLLAND machine, as intended and under the conditions foreseen by the manufacturer during normal operation and routine service and maintenance. This manual does not contain all the information related to periodical service, converting and repairs to be carried out by professional service personnel. For some of the latter activities, there may be a need for appropriate facilities, technical skills, and/or tools which are not supplied with the machine.

The manual is divided into sections as outlined in the General Table of Contents Page(s). Refer to the Detail Index at the end of this manual for locating specific items about your NEW HOLLAND machine.

Scope and Required Training Level

This manual gives information for use of your NEW HOLLAND machine, as intended and under the conditions foreseen by the manufacturer during normal operation and routine service and maintenance.

Normal operation consists of use of the NEW HOLLAND machine for the purpose intended by the manufacturer by an operator that is:

- Familiar with the NEW HOLLAND machine and the mounted or towed equipment.
- Complying with the information for operation and safe practices, as specified by the manufacturer in this manual and by the signs on the machine.

Normal operation includes:

- The preparation and storage of the NEW HOLLAND machine
- Swinging components into work position and vice versa
- Adding or removing ballast
- Picking up and setting off mounted or towed equipment
- The adjustment and setting of the NEW HOLLAND machine and equipment for the specific condition of the field and/or the crop.

Routine service and maintenance consists of activities that must be done daily in order to maintain its proper function by an operator that is

- Familiar with NEW HOLLAND machine characteristics
- Complying with the information for routine service and safe practices, as specified by the manufacturer in this manual and by the signs on the NEW HOLLAND machine. Routine service includes activities such as fueling, cleaning, washing, topping up fluid levels, greasing, and replacing consumable articles such as lamp bulbs.

This manual does not contain all the information related to periodical service, converting and repairs to be carried out by NEW HOLLAND professional service personnel. For some of the latter activities, there may be a need for appropriate facilities, technical skills, and/or tools which are not supplied with the NEW HOLLAND machine.

Periodical service consists of activities that must be done at defined intervals:

- By trained personnel familiar with the NEW HOLLAND machine characteristics.
- By trained personnel complying with the information for periodical service and safe practices, as partly specified by the manufacturer in this manual and in other company literature.
- In order to maintain the expected life time of the NEW HOLLAND machine. Periodical service includes activities such as changing oil from the engine, hydraulic circuits or transmission, or other substances or components that need periodical exchange.

Converting consists of activities that must be done:

- By professional service personnel familiar with the NEW HOLLAND machine characteristics
- Complying with the information for converting, as partly specified by the manufacturer in this manual, in assembly instructions, or in other company literature
- In order to rebuild the NEW HOLLAND machine in a configuration which is appropriate for a specific crop or soil condition (e.g., installation of dual wheels etc.)

Repair (and dismantling) consists of activities that must be done:

- By professional service personnel familiar with the NEW HOLLAND machine characteristics
- Complying with the information for repair, as specified by the manufacturer in the NEW HOLLAND dealer's service manual.
- In order to restore the proper function of the NEW HOLLAND machine after a failure or degradation of performance when scrapping or dismantling the NEW HOLLAND machine.

Read this manual before you start the engine or operate this NEW HOLLAND machine. If any information in this manual is not understood, or if you need more information or assistance, contact your NEW HOLLAND dealer.

All persons training to operate, or who will be operating this NEW HOLLAND machine, should be old enough to possess a valid local vehicle operating permit (or other applicable local age requirement) and must have demonstrated the ability to operate and service the NEW HOLLAND machine correctly and safely.

Metric and imperial units abbreviations

Typical applications	Metric unit		Imperial unit	
	Name	Symbol	Name	Symbol
Area (Land area)				
	hectare	ha	acre	ac
	square meter	m ²	square foot	ft ²
	square millimeter	mm ²	square inch	in ²
Electricity				
	ampere	A	ampere	A
	volt	V	volt	V
	microfarad	μF	microfarad	μF
	ohm	Ω	ohm	Ω
Force				
	kilonewton	kN	pound	lb
	newton	N	pound	lb
Force per length				
	newton per meter	N/m	pound per foot	lb/ft
			pound per inch	lb/in
Frequency				
	megahertz	MHz	megahertz	MHz
	kilohertz	kHz	kilohertz	kHz
	hertz	Hz	hertz	Hz
Frequency - Rotational				
	revolution per minute	r/min	revolution per minute	r/min ^a
		rpm		rpm
Length				
	kilometer	km	mile	mi
	meter	m	foot	ft
	centimeter	cm	inch	in
	millimeter	mm	inch	in
	micrometer	μm		
Mass				
	kilogram	kg	pound	lb
	gram	g	ounce	oz
	milligram	mg		
Mass per mass				
	milligram per kilogram	mg/ kg	parts per million	ppm
Power				
	kilowatt	kW	horsepower	Hp
	watt	W	Btu per hour	Btu/hr
			Btu per minute	Btu/min
Pressure or stress (Force per area)				
	kilopascal	kPa	pound per square inch	psi
			inch of mercury	inHg
	pascal	Pa	inch of water	inH ₂ O
	megapascal	MPa	pound per square inch	psi
	millibar	mbar		
	bar	bar		

1 - GENERAL INFORMATION

Typical applications	Metric unit		Imperial unit	
	Name	Symbol	Name	Symbol
Temperature (other than thermodynamic)				
	degrees Celsius	°C	degrees Fahrenheit	°F
Time				
	hour	h	hour	h
	minute	min	minute	min
	second	s	second	s
Torque (includes bending moment, moment of force, and moment of a couple)				
	newton meter	N m	pound foot	lb ft
			pound foot	lb in
Velocity				
	kilometer per hour	km/h	mile per hour	mph
	meter per second	m/s	foot per second	ft/s
	millimeter per second	mm/s	inch per second	in/s
	meter per minute	m/min	foot per minute	ft/min
Volume (includes capacity)				
	cubic meter	m ³	cubic yard	yd ³
				cu yd
	liter	l	cubic inch	in ³
	liter	l	US gallon	US gal
			UK gallon	UK gal
			US quart	US qt
			UK quart	UK qt
	milliliter	ml	fluid ounce	fl oz
Volume per time (includes discharge and flow rate)				
	cubic meter per minute	m ³ /min	cubic foot per minute	ft ³ /min
	liter per minute	l/min	US gallon per minute	US gal/min
	milliliter per minute	ml/min	UK gallon per minute	UK gal/min
Sound power level and sound pressure level				
	decibel	dB	decibel	dB
Water hardness				
	German hardness	°dH	English hardness	°e
	French hardness	°fH	parts per million	ppm

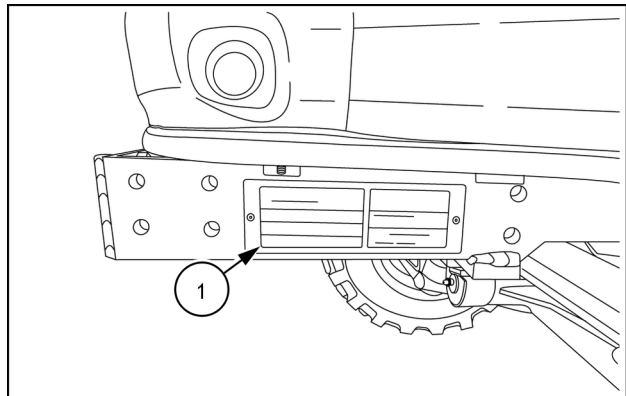
Glossary

Acronym	Definition
DEF	Diesel Exhaust Fluid
ISO	International Organization for Standardization
MSDS	Material Safety Data Sheet
NOx	Nitrogen Oxide
PPE	Personal Protective Equipment
SCR	Selective Catalytic Reduction
ULSD	Ultra Low Sulfur Diesel
%	Percent
<	Less than
>	Greater than

Product identification

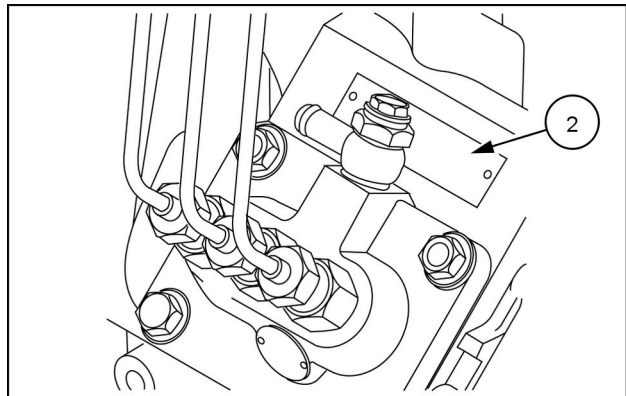
The Product Identification Plate (1) is located on the left-hand side of the front frame..

The numbers on the plate are important in the event your tractor should require future service.



NHIL15CT00338AA 1

The engine identification information plate (2) is located on the right-hand side of the engine block, behind the fuel injection pump.



NHIL13CT01158AA 2

Operator's manual storage

The operator's manual must be stored in a secure place prior to operation and it must be kept available for use by all operators.

NOTE: *There is not a designated manual storage area on the tractor.*

Thank you so much for reading.
Please click the “Buy Now!”
button below to download the
complete manual.



After you pay.

You can download the most
perfect and complete manual in
the world immediately.

Our support email:

ebooklibonline@outlook.com