

ORIGINAL INSTRUCTIONS

JX60 STRADDLE
JX70 STRADDLE
JX80 STRADDLE
JX90 STRADDLE
JX95 STRADDLE
Tractor

OPERATOR'S MANUAL

Part number 47918193

1st edition English

August 2015

Replaces part number 84225683



Contents

1 GENERAL INFORMATION

Abbreviation	1-1
Note to the Owner	1-3
Product identification	1-5
Foreword	1-7

2 SAFETY INFORMATION

Personal safety	2-1
Foreword	2-3
Personal safety	2-10
Personal safety	2-14
Dimension	2-16
Dimension	2-17
Personal safety	2-18
Personal safety	2-19
Personal safety	2-20
Note to the Owner	2-21
Safety signs	2-23
Basic instructions	2-27
International symbols	2-30
Noise level	2-31

3 CONTROLS AND INSTRUMENTS

Access to operator's platform

Instrument cluster - Localization overview	3-1
--	-----

Forward controls

External lighting - Control	3-2
Ignition switch - Control identification	3-3
Steering column - Control	3-4
Mechanical transmission - Operating	3-6
Mechanical transmission - Operating	3-8
Mechanical transmission - Operating TRANSMISSION WITH CREEPER AND SHUTTLE – 30 km/h (19 mph)	3-11
Cab Front-Wheel Drive (FWD) controls - Control	3-15
Differential lock - Control	3-16
Differential lock - Control	3-17

Left-hand side controls

Transmission - Localization overview	3-18
--	------

Right-hand side controls

Console Right-hand console - Control identification	3-19
---	------

ANALOGUE/ DIGITAL INSTRUMENT CLUSTER

Instrument cluster - Localization overview	3-21
Instrument cluster - Check	3-22
Instrument cluster - Check	3-23

4 OPERATING INSTRUCTIONS

Starting the unit

Safety rules	4-1
Battery - Operating	4-2
Engine - Operating	4-3
Cold start aid - Operating	4-5

Stopping the unit

Brakes and controls - Operating	4-6
Engine - Operating	4-7

5 TRANSPORT OPERATIONS

Preparing for road transport

Brakes and controls - Load LOADING THE TRACTOR ONTO A TRANSPORTER ..	5-1
--	-----

Recovery transport

Brakes and controls - Tow	5-2
---------------------------------	-----

6 WORKING OPERATIONS

Rear mechanical control

Rear mechanical control - Personal safety	6-1
Rear mechanical control - Operating POWER TAKE-OFF OPERATION	6-3
Rear mechanical control - Operating	6-5
Rear mechanical control - Operating	6-7
Two-speed rear Power Take-Off (PTO) - General specification	6-9
Main lift system - Operating	6-22
Main lift system - Operating	6-23
Main lift system - Operating	6-27
Rear three-point hitch - Localization overview	6-28
Rear three-point hitch - Operating	6-29
Lower link arm - Adjust	6-31
Remote control valves - Operating	6-32
Remote control valves - Operating	6-35

WHEEL TRACK ADJUSTMENT

Front wheels - General specification	6-38
Rear wheels - General specification	6-40
Steering - Adjust	6-43

Wheels

Wheels - Static description	6-45
Wheels - General specification	6-47
Wheels - General specification	6-50
Wheels - General specification	6-52

BALLASTING AND TIRES

Ballasts and supports - Static description	6-54
Rear wheel ballasts - Static description LIQUID BALLASTING	6-55
Rear wheel ballasts - Static description	6-57
Brakes and controls - Weight.....	6-59
Platform, cab, bodywork, and decals - Weight	6-61

7 MAINTENANCE

General information

Engine cooling system - Basic instructions.....	7-1
---	-----

As required maintenance

Clutch - Check.....	7-2
Hydraulic service brakes - Adjust Adjusting height of service brake pedals	7-3
Fan and drive - Check.....	7-4
Air cleaner - Check	7-5

Warning light on

Air cleaners and lines - Cleaning	7-6
Fuel filters - Drain fluid	7-7

EVERY 10 HOURS OR EACH DAY

Engine lubrication system - Check	7-8
Battery - Check.....	7-9
Engine cooling system - Check.....	7-10

EVERY 50 HOURS

Main lift system - Grease	7-11
Steering cylinder - Grease.....	7-12
Front axle system - Grease.....	7-13
Front axle system - Grease.....	7-14
Steering cylinder - Grease.....	7-15
Front axle system - Grease.....	7-16
Front axle system - Grease.....	7-17
Front axle system - Grease.....	7-18
Fuel filters - Cleaning.....	7-19

EVERY 300 HOURS

Engine - Change fluid	7-20
Transmission - Replace	7-21

Air cleaner - Cleaning	7-22
Transmission - Check	7-23
Powered front axle - Check.....	7-24
Hand brake lever - Adjust	7-25
Wheel hub - Check	7-26
Powered front axle - Grease	7-27

EVERY 600 HOURS

Fuel filters - Drain fluid	7-28
----------------------------------	------

EVERY 900 HOURS

Camshaft Tappets - Check	7-29
--------------------------------	------

EVERY 1200 HOURS OR ANNUALLY

Air cleaner - Replace	7-29
Fuel tank - Cleaning	7-30
Drive shaft - Check	7-31

EVERY 1200 HOURS OR EVERY 2 YEARS

Powered front axle - Change fluid	7-32
Wheel hub - Change fluid	7-33
Camshaft Tappets - Check	7-34
Engine cooling system - Change fluid	7-35
Engine cooling system - Cleaning	7-36
Transmission - Change fluid.....	7-38
Planetary final drive - Change fluid.....	7-39
Fuel injectors - Check	7-39

EVERY 3600 HOURS

Engine cooling system - Change fluid	7-40
--	------

GENERAL MAINTENANCE

Fuel injection system - Bleed	7-41
Battery - Check	7-42
Fuse and relay box - Replace	7-44
Headlight - Adjust.....	7-47
External lighting - Replace	7-48

Storage

Frame - Storing	7-51
-----------------------	------

8 TROUBLESHOOTING

Fault code resolution

Foreword	8-1
----------------	-----

Alarm(s)

Engine - Troubleshooting	8-1
Electrical systems - Troubleshooting	8-3
Hydraulic systems - Troubleshooting	8-4
Rear three-point hitch - Troubleshooting	8-5
Hydraulic service brakes - Troubleshooting	8-6
Stacked control valves Loader bucket - Troubleshooting	8-7

9 SPECIFICATIONS

Foreword	9-1
General specification	9-2
Consumables	9-3
Frame - Dimension	9-4
Frames and ballasting - Weight	9-10
Frame - Weight	9-11
Engine - General specification	9-12
Engine cooling system - General specification	9-15
Fuel injection system - General specification	9-16
Clutch - General specification	9-17
Transmission - General specification	9-18
Power Take-Off (PTO) - General specification	9-19
Main lift system - General specification	9-20
Main lift system - Capacities	9-21
Rear three-point hitch - General specification	9-22
Front wheels - General specification	9-23
Steering - General specification	9-24
Hydraulic service brakes - General specification	9-25
Cab - General specification	9-26
Drawbars and towing hitches - General specification	9-27
Electrical systems - General specification	9-28
Instrument cluster - General specification	9-29

10 ACCESSORIES

Accessories - Overview	10-1
Drawbars and towing hitches - Static description	10-2

11 FORMS AND DECLARATIONS

Service record 1st 50 hour, Owner copy	11-1
Service record 1st 50 hour, Dealer's copy	11-3

1 - GENERAL INFORMATION

Abbreviation

Typical applications	Metric unit		Imperial unit	
	Name	Symbol	Name	Symbol
Area (Land area)				
	hectare	ha	acre	ac
	square meter	m ²	square foot	ft ²
	square millimeter	mm ²	square inch	in ²
			square inch	in ²
Electricity				
	ampere	A	ampere	A
	volt	V	volt	V
	microfarad	μF	microfarad	μF
	ohm	Ω	ohm	Ω
Force				
	kilonewton	kN	pound	lb
	newton	N	pound	lb
Force per length				
	newton per meter	N/m	pound per foot	lb/ft
			pound per inch	lb/in
Frequency				
	megahertz	MHz	megahertz	MHz
	kilohertz	kHz	kilohertz	kHz
	hertz	Hz	hertz	Hz
Frequency - Rotational				
	revolution per minute	r/min	revolution per minute	r/min ^a
		rpm		rpm
Length				
	kilometer	km	mile	mi
	meter	m	foot	ft
	centimeter	cm	inch	in
	millimeter	mm	inch	in
	micrometer	μm		
Mass				
	kilogram	kg	pound	lb
	gram	g	ounce	oz
	milligram	mg		
Mass per Mass				
	milligram per kilogram	mg/ kg		
Power				
	kilowatt	kW	horsepower	Hp
	watt	W	Btu per hour	Btu/hr
			Btu per minute	Btu/min
Pressure or stress (Force per area)				
	kilopascal	kPa	pound per square inch	psi
			inch of mercury	inHg
	pascal	Pa	inch of water	inH ₂ O
	megapascal	MPa	pound per square inch	psi

1 - GENERAL INFORMATION

Typical applications	Metric unit		Imperial unit	
	Name	Symbol	Name	Symbol
Temperature (other than Thermodynamic)				
	degrees Celsius	°C	degrees Fahrenheit	°F
Time				
	hour	h	hour	h
	minute	min	minute	min
	second	s	second	s
Torque (includes Bending moment, Moment of force, and Moment of a couple)				
	newton meter	N m	pound foot	lb ft
			pound foot	lb in
Velocity				
	kilometer per hour	km/h	mile per hour	mph
	meter per second	m/s	foot per second	ft/s
	millimeter per second	mm/s	inch per second	in/s
	meter per minute	m/min	foot per minute	ft/min
Volume (includes Capacity)				
	cubic meter	m ³	cubic yard	yd ³
				cu yd
	liter	l	cubic inch	in ³
	liter	l	US gallon	US gal
			UK gallon	UK gal
			US quart	US qt
			UK quart	UK qt
	milliliter	ml	fluid ounce	fl oz
Volume per time (includes Discharge and Flow rate)				
	cubic meter per minute	m ³ /min	cubic foot per minute	ft ³ /min
	liter per minute	l/min	US gallon per minute	US gal/min
	milliliter per minute	ml/min	UK gallon per minute	UK gal/min
Sound power level and Sound pressure level				
	decibel	dB	decibel	dB

Note to the Owner

TO THE OWNER

GENERAL

This Manual has been prepared to assist you in the correct procedure for running-in, driving and operating and for the maintenance of your new tractor. Read this Manual carefully. Your tractor is intended for use in normal and customary agricultural applications.

If at any time you require advice concerning your tractor, do not hesitate to contact your CASE IH dealer. He has factory trained personnel, genuine manufacturers' parts and the necessary equipment to carry out all your service requirements.

Your tractor has been designed and built to give maximum performance, economy and ease of operation under a wide variety of operating conditions. Prior to delivery, the tractor was carefully inspected, both at the factory and by your dealer to ensure that it reaches you in optimum condition. To maintain this condition and ensure trouble-free operation, it is important that the routine services, as specified in **Maintenance - Basic instructions** of this Manual, are carried out at the recommended intervals.

CLEANING THE TRACTOR

Your tractor is a state-of-the-art machine with user friendly controls. This should be borne in mind when cleaning the tractor, particularly if using a high pressure washer. Even though every precaution has been taken to safeguard electrical components and connections, the pressure generated by some of these machines is such that complete protection against water ingress cannot be guaranteed.

When using a high pressure washer, do not stand too close to the tractor and avoid directing the jet at electronic components, electrical connections, breathers, seals, filler caps, etc. Never direct a cold water jet at a hot engine or exhaust.

SAFETY

Personal safety lists the precautions to be observed to ensure your safety and the safety of others. Read the safety precautions and follow the advice offered before operating the tractor.

FIRST 50 HOUR SERVICE

In Section 11, at the back of this Manual, you will find the 50-hour service reports.

After you have operated the tractor for 50 hours, take your tractor, together with this Manual, to your dealer. He will then perform the factory recommended 50-hour service and complete the service report sheets **11-1**. The first

sheet (page 11-1) is the dealer's copy and should be removed by the dealer after the service has been carried out. The second sheet (page 11-3) is your copy of the service performed. Ensure that you and the dealer sign both copies.

SERVICE PARTS

It should be pointed out that genuine parts have been examined and approved by the Company. The installation and/or use of 'non-genuine' products could have negative effects upon the design characteristics of your tractor and thereby affect its safety. The Company is not liable for any damage caused by the use of 'non-genuine' parts and accessories. Only genuine replacement parts should be used. The use of non-genuine parts may invalidate legal approvals associated with this product.

It is prohibited to carry out any modifications to the tractor unless specifically authorised, in writing, by the After Sales Service department of the Company.

WARRANTY

Your tractor is warranted according to legal rights in your country and the contractual agreement with the selling dealer. No warranty shall, however, apply if the tractor has not been used, adjusted and maintained according to the instructions given in the Operator's Manual.

ABOUT THIS MANUAL

This Manual gives information for use of this tractor, as intended and under the conditions foreseen by the manufacturer during normal operation and routine service and maintenance.

- Normal operation means the use of the tractor for the purpose intended by the manufacturer by an operator familiar with the tractor and the mounted or towed equipment and complying with the information for operation and safe practices, as specified by the manufacturer in this Manual and by the signs on the tractor and the equipment.
- Normal operation includes the preparation and storage of the tractor, swinging components into work position and vice versa, adding or removing ballast and picking up and setting off attachments
- Normal operation includes the adjustment and setting of the tractor and equipment, for the specific condition of the field and/or the crop
- Routine service and maintenance means activities that must be done daily by an operator familiar with the tractor characteristics and complying with the information for routine service and safe practices, as specified by the manufacturer in this Manual and by signs on the tractor, in order to maintain its proper function. Routine service includes activities such as fueling, cleaning,

washing, topping up fluid levels, greasing, replacing of consumable articles such as lamp bulbs

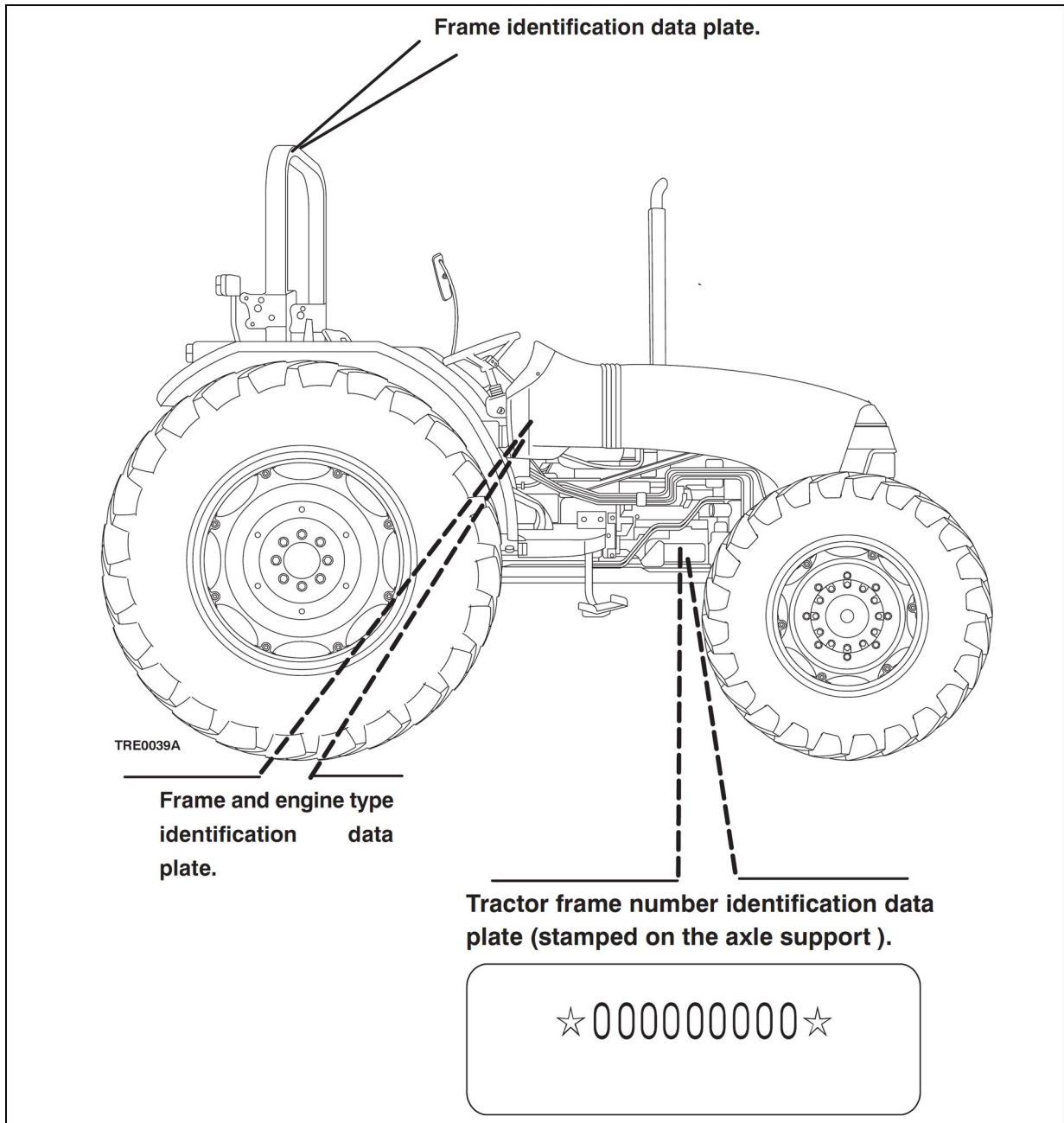
- This Manual is not giving all the information related to periodical service, converting and repairs to be carried out by professional service personnel. For some of the latter activities, there may be a need for appropriate facilities, technical skills and tools which are not supplied with the tractor, please refer to your dealer or authorised workshop
- Periodical service means activities that must be done at defined intervals by trained personnel familiar with the tractor characteristics and which are complying with the information for periodical service and safe practices, as partly specified by the manufacturer in this Manual and in other Company literature, in order to maintain the expected life time of the tractor
- Converting means activities that must be done by professional service personnel familiar with the tractor characteristics and complying with the information for converting, as partly specified by the manufacturer in this Manual, in assembly instructions or in other Company literature, in order to fit the tractor to a specific configuration
- Repair means activities that must be done by professional service personnel only familiar with the tractor characteristics and complying with the information for repair, as specified by the manufacturer in the dealer's workshop Manual, in order to restore the proper function of the tractor after a failure or degradation of performance

Product identification

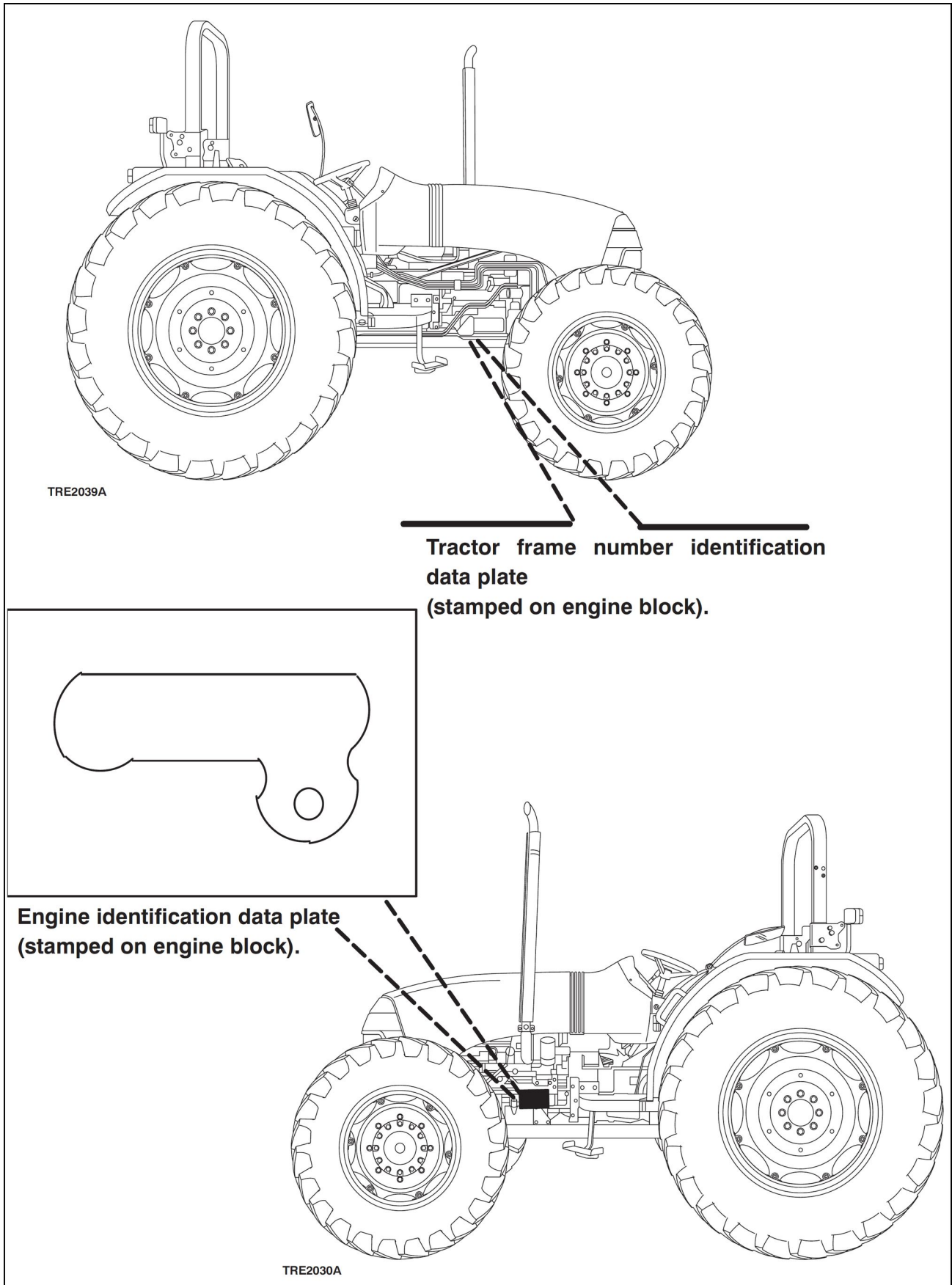
TRACTOR IDENTIFICATION PLATES

Serial numbers identify the tractor and its main components. The identification data must be supplied by the

dealer for requests for spare parts or service operations. Identification data is of fundamental importance in the event of theft of the tractor. The location of the various identification data is shown below.



JXS121 1



Foreword

ECOLOGY AND THE ENVIRONMENT

Soil, air and water are vital factors of agriculture and life in general. Where legislation does not yet rule the treatment of some of the substances which are required by advanced technology, common sense should govern the use and disposal of products of a chemical and petrochemical nature.

The following are recommendations which may be of assistance:

- Become acquainted with and ensure that you understand the relative legislation applicable to your country.
- Where no legislation exists, obtain information from suppliers of oils, filters, batteries, fuels, anti freeze, cleaning agents, etc., with regard to their effect on man and nature and how to safely store, use and dispose of these substances. Agricultural consultants will, in many cases, be able to help you as well.

HELPFUL HINTS

1. Avoid filling tanks using unsuitable containers or inappropriate pressurised fuel delivery systems which may cause considerable spillage.
 2. If you are exposed to or come in contact with hazardous chemicals you can be seriously injured. The fluids, lubricants, paints, adhesives, coolant, etc. required for the function of your machine can be hazardous. They may be attractive and harmful to domestic animals as well as humans.
 3. Modern oils contain additives. Do not burn contaminated fuels and/ or waste oils in ordinary heating systems.
 4. Avoid spillage when transferring used engine cooling liquids, engine and transmission lubricants, hydraulic oils, brake fluids, etc. Never mix used brake oil with fuel oil, or fuel oil with lubricants. Store safely until suitable disposal can be arranged according to national legislation or local regulations.
 5. Modern anti—freeze liquids and solutions, e.g. anti—freeze and other additives, must be replaced every two years. They must not be left to be absorbed into the ground, but must be collected and disposed of in a suitable manner.
 6. Do not open the air-conditioning system yourself. It contains gases which should not be released into the atmosphere. Your dealer or air conditioning specialist has a special extractor for this purpose and will have to recharge the system anyway.
 7. Repair any leaks or defects in the engine cooling or hydraulic system immediately.
 8. Do not increase the pressure in a pressurised circuit as this may lead to the components exploding.
 9. Protect hoses during welding as penetrating weld splatter may burn a hole or weaken them, causing the loss of oils, coolant, etc.
 10. Do not adjust the setting of the fuel delivery system as this will alter the emission of exhaust fumes.
- NOTE:** *The engines installed on the tractors comply with anti—pollution legislation.*

Battery recycling

Batteries and electric accumulators contain several substances that can have a harmful effect on the environment if the batteries are not properly recycled after use. CASE IH strongly recommends that you return all used batteries to a CASE IH dealer, who will dispose of the used batteries or recycle the used batteries properly. In some countries, this is a legal requirement.

Buy Now



Our support email:

ebooklibonline@outlook.com