

OPERATOR'S MANUAL

TT55

TT65

TT75

Tractor

Part number 48135182

1st edition English

July 2017



Contents

1 GENERAL INFORMATION

General information and safety	1-1
Product identification	1-2
Ecology and the Environment	1-4

2 SAFETY INFORMATION

Safety rules	2-1
Personal safety	2-1
Driving the tractor	2-2
Operating the tractor	2-3
Operating the Power Take-Off (PTO)	2-4
Servicing the tractor	2-5
Diesel fuel	2-5
Instructions for driving on road	2-7
International symbols	2-9
Fuel saving tips for optimum performance	2-10
Trailer hitching	2-11
General and Safety Decals	2-12

3 CONTROLS AND INSTRUMENTS

Access to operator's platform

Before operating	3-1
------------------------	-----

Operator's seat

Operator seat - Adjust	3-2
Seat belt (If equipped)	3-3

Forward controls

Instrument cluster - Control identification	3-4
Hand controls and switches	3-6

Left-hand side controls

Clutch	3-8
Creeper gears (If equipped)	3-8
Power Take-Off (PTO)	3-8
4WD Lever	3-9

Right-hand side controls

Foot Accelerator	3-9
Differential lock pedal	3-10
Brake pedal	3-10
Parking Brake	3-10

Transmission	
Transmission	3-11
Transmission speeds	3-12

4 OPERATING INSTRUCTIONS

Commissioning the unit

Before operating	4-1
Running-In Procedure	4-1

Starting the unit

Starting the tractor with jumper cables	4-2
Starting the engine	4-2

Stopping the unit

Stopping the engine	4-4
---------------------------	-----

5 TRANSPORT OPERATIONS

Road transport

Carrying the tractor on a transporter	5-1
---	-----

Recovery transport

Towing the tractor	5-1
--------------------------	-----

6 WORKING OPERATIONS

Intercooler and turbocharger

Turbocharger	6-1
--------------------	-----

POWER TAKE OFF (PTO)

Power Take-Off (PTO) operating precautions	6-1
Attaching PTO driven equipment	6-2
Connecting the Power Take-Off (PTO)	6-2
Power Take-Off (PTO) protective cap and guard	6-3
Power Take-Off (PTO) - Operating	6-3
Ground speed PTO	6-4

THREE-POINT LINKAGE

Three-point linkage	6-5
Attaching 3-point implements	6-6
Lift rods, lower links and top link	6-7
Remote control valves	6-10
Auxiliary hydraulic valve	6-10
Towing attachments	6-11

HYDRAULIC SYSTEM

Hydraulic system	6-14
Position control operation	6-15
Draft Control Operation.....	6-15
Combined position and Draft control Mixed Control	6-16
Float Operation	6-16
Lift-O-Matic Button	6-16
Height Limiter - Lift -O-Matic (If equipped)	6-17
Sensitivity Control	6-17
Response Control or Drop rate Control	6-18
Tap-off valve and external supply port	6-18

WHEEL TRACK ADJUSTMENT

Front axle system - Adjust.....	6-19
Track Rod - Hydrostatic Steering Right side - illustrated	6-19
Reassembly After Setting Track Width	6-20
Front wheel track adjustment.....	6-20
Front wheels toe-in	6-21
Rear wheel track adjustment	6-22

BALLASTING AND TIRES

Ballasting of Tires Selecting ballast	6-24
Rear wheel weights.....	6-25
Front Weights.....	6-25
Liquid ballast	6-26
Tire inflation.....	6-26
Tire pressure	6-27

7 MAINTENANCE

General information

Introduction	7-1
Safety precautions.....	7-1
During the first 50 hour operation	7-1
The First 50 Hours Service	7-1
Preventing System Contamination	7-2
Flexibility of Maintenance Intervals.....	7-2
Lubrication and maintenance chart.....	7-2
Fueling the tractor	7-2
General specification	7-2
Fuel storage	7-3
Guards.....	7-3

Maintenance planning

Maintenance - Maintenance chart.....	7-5
--------------------------------------	-----

EVERY 10 HOURS OF OPERATION OR DAILY

Check engine oil level	7-7
------------------------------	-----

Radiator coolant level check	7-7
Air pre-cleaner - Cleaning	7-7
Hydrostatic steering oil level.....	7-8
Fuel filters - Drain fluid	7-8
Fuel-water separator filter - Cleaning.....	7-9

EVERY 50 HOURS

Clutch Pedal Free Play - Check	7-9
Brake pedals - Adjust.....	7-10
Parking brake or parking lock - Check	7-10
Wheel hub - Check	7-10
Tire Pressures and Condition Tyre Pressures and Condition	7-11
Fan/alternator belt - adjustment	7-11
Grease fittings	7-11
Battery - Check	7-14
Four-Wheel Drive (4WD) axle - Check	7-14

EVERY 300 HOURS

Air cleaner - Cleaning	7-14
Fuel filters - Replace	7-18
Fuel Feed Pump Filter.....	7-18
Hydrostatic steering oil filter	7-18
Engine - Change fluid	7-19
Engine oil filter - Replace.....	7-19
Transmission/hydraulics oil level	7-20
Hydraulic filter - cleaning	7-21
Front Axle Reduction Hubs - 4WD	7-21
4WD front axle swivel bearings.....	7-21
Drive Shaft Sleeve for 4WD Front Axle Connection.....	7-22
PTO clutch lever free play	7-22

EVERY 600 HOURS

Fuel filters - Replace	7-23
Camshaft Tappets - Adjust	7-23
Transmission oil vapor breather - clean	7-23
Clean, Re-grease and Adjust Front Wheel Bearings.....	7-24
Service Fuel Injectors	7-24
Front wheel toe-in - adjust.....	7-24

EVERY 1200 HOURS

Change Transmission/Hydraulics Oil.....	7-25
Change the final drive oil	7-26
Radiator - Drain fluid	7-26
Steering oil reservoir - change fluid	7-27
Front Axle Housing Oil Level - 4WD.....	7-27
Draining the Oil from the Front Axle Final Drives - 4WD	7-28
Final drive - 4 WD	7-28
Fuel tanks - Cleaning.....	7-28

GENERAL MAINTENANCE

Fuel injection system - Bleed	7-29
Engine idle speed	7-29
Headlight - Adjust.....	7-29
Work light - Adjust	7-30
Stop/Turn/Position Lights	7-30
Canopy lights - Adjust	7-30
Fuse replacement	7-31
Electrical systems - Charging	7-32

Storage

Vehicle Storage.....	7-34
----------------------	------

8 TROUBLESHOOTING

Fault code resolution

Maintenance - Troubleshooting.....	8-1
------------------------------------	-----

9 SPECIFICATIONS

General specifications	9-1
Engine - Technical Data	9-3
Engine cooling system - General specification	9-3
Clutch - Technical Data	9-3
Power Take-Off (PTO) - Technical Data	9-3
Rear three-point hitch linkage - Technical Data	9-3
Hydraulic systems - Technical Data	9-4
Electrical system - Technical Data	9-4
Steering - Technical Data.....	9-4
Brakes and controls - Technical Data	9-4
Maintenance - General specification	9-4

1 - GENERAL INFORMATION

General information and safety

General

This Manual has been prepared to assist you in the correct procedure for running-in, driving, operating and for the maintenance of your new tractor. Your tractor, which is designed to power and propel itself, is intended for use in normal and customary agricultural applications.

Read this Manual carefully and keep it in a convenient place for future references. If at any time you require advice concerning your tractor, do not hesitate to contact your Authorised Dealer. He has company trained personnel, genuine manufacturers' parts and the necessary equipment to carry out all your service requirements.

Your tractor has been designed and built to give maximum performance, economy and ease of operation under a wide variety of operating conditions. Prior to delivery, the tractor was carefully inspected, both at the factory and by your dealer to ensure that it reaches you in best condition. To maintain this condition and trouble-free operation, it is important that the routine services, as specified in chapter - 7 of this manual, are carried out at the recommended intervals.

Cleaning the tractor

While cleaning the tractor, particularly when using a high pressure tractor washing equipment precaution has to be taken to safeguard the electronic components and the electrical connections. The pressure generated by some of these machines is such that complete protection against water ingress cannot be guaranteed. While washing the tractor, using a high pressure washing machine, do not stand too close to the tractor and avoid directing the jet at electrical connections, breathers, seals, filler caps, etc. Never direct a cold water jet at a hot engine or exhaust.

Safety

Chapter - 2 includes the list of precautions to be observed to ensure your safety and safety of others. Read the safety precautions and follow the advice offered before operating the tractor

First 50 hour service

After you have operated the tractor for 50 hours, take your tractor, together with warranty booklet to your dealer. He will then perform the manufacturer recommended 50 hour service and complete the service report. Ensure the completion of the coupon and signature of service manager or the dealer.

Service parts

It should be pointed out that genuine parts have been examined and approved by the company. The installation and usage of 'non-genuine' products can have negative effects upon the design characteristics of your tractor and thereby affect its safety. The company is not liable for any damage caused by the use of 'non-genuine' parts and accessories.

Only Genuine New Holland replacement parts should be used. Use of non-genuine parts may invalidate legal approvals associated with this product.

It is prohibited to carry out any modifications in the tractor unless specifically authorised, in writing, by the service department of the company.

Warranty

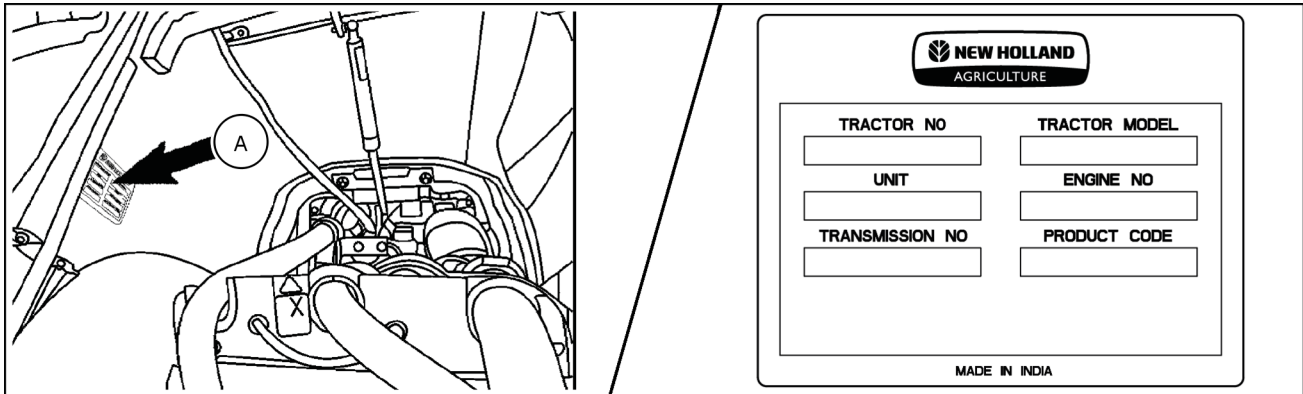
Your tractor is warranted according to the current legislation in our country and with contractual agreements reached with the dealer at the time of sale. However, the warranty is no longer valid if the rules and instructions for the use and maintenance of the tractor described in this manual are not observed. For more details on warranty, please refer warranty booklet supplied along with this operator's manual.

NOTE: Reference positions (left, right, front, and rear) of components and decals indicated in this operator's manual are taken with a view when operator is seated on the operator's seat.

Product identification

Vehicle Identification Plate (VIP)

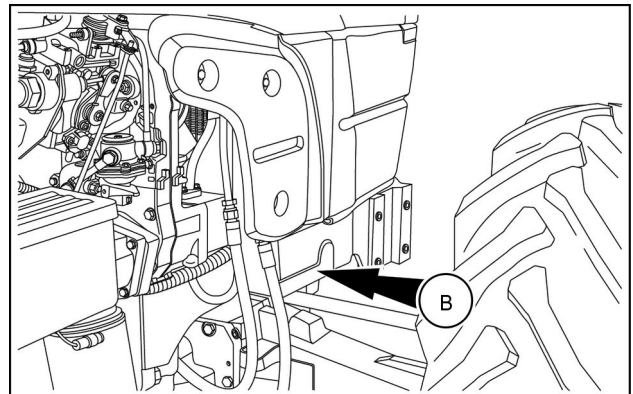
The VIP decal (A) is under the front hood on the right hand side, see image 1. The first line represents tractor serial number and model. Second line represents unit code and engine serial number followed by transmission serial number.



GNIL17TRO0103FA 1

Vehicle Identification Number (VIN)

The VIN or the tractor serial number (B) is stamped on the right-hand side of the front axle support. These numbers are also repeated on the VIP.

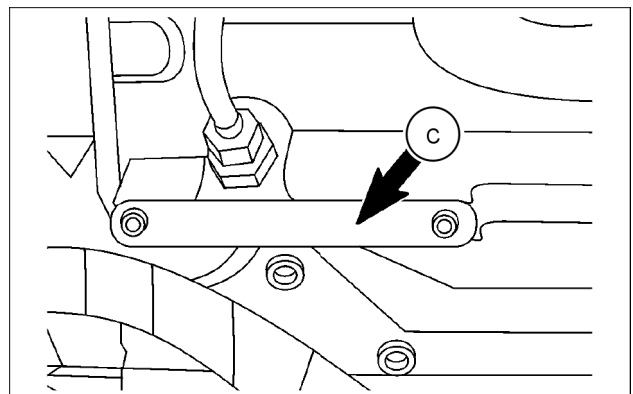


GNIL15TR00141AA 2

Engine identification

The engine serial number (C) is stamped on the left-hand side of the engine cylinder block. The engine serial number is also repeated on VIP. Record the engine serial number below for quick reference.

Engine serial number :- _____

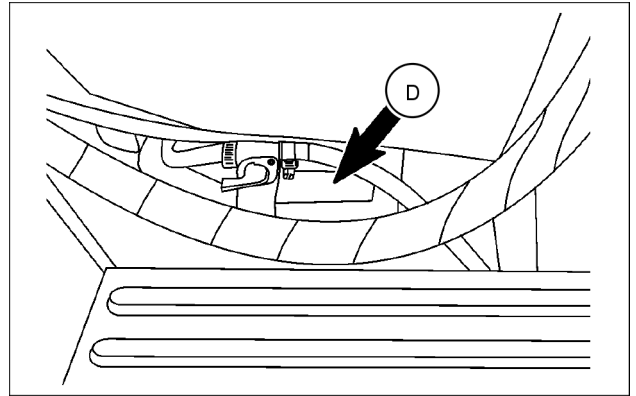


GNIL17TRO0122AA 3

Transmission identification

The transmission serial number **(D)** is stamped on the right-hand side of the transmission housing below the fuel tank. Record the transmission serial number below for quick reference.

Transmission serial number :- _____



GNIL17TRO0123AA 4

Ecology and the Environment

Soil, air and water are vital factors of agriculture and life in general. Where legislation does not yet rule the treatment of some of the substances which are required by advanced technology, common sense should govern the use and disposal of products of a chemical and petrochemical nature.

The following are recommendations which may be of assistance:

1. Become acquainted with and ensure that you understand the relative legislation applicable to your country.
2. Where no legislation exists, obtain information from suppliers of oils, filters, batteries, fuels, cleaning agents, etc., with regard to their effect on man and nature and how to safely store, use and dispose of these substances.

Helpful hints

1. Avoid filling tanks using open containers or inappropriate pressurized fuel delivery systems which may cause excessive spillage.

2. In general, avoid skin contact with all fuels, oils, acids, solvents, etc. Most of them contain substances which can be harmful to your health

3. Modern oils contain additives. Do not burn contaminated fuels and waste oils in ordinary heating systems.

4. Avoid spillage while draining off used engine coolant mixtures, engine oil, gearbox and hydraulic oil, brake fluids, etc. Do not mix drained brake fluids or fuels with lubricants. Store them safely until they can be disposed of in a proper way to comply with local legislation and available resources.

5. Modern coolant mixtures, i.e. antifreeze and other additives, should be replaced every 12 months or **1200 h**. They should not be allowed to get into the soil but should be collected and disposed of safely.

6. Repair any leaks or defects in the engine cooling or hydraulic system immediately.

7. Do not increase the pressure in a pressurized circuit as this may lead to the component explosion.

8. Protect hoses during welding as penetration of weld splatter may burn a hole or weaken them, causing the loss of oils, coolant, etc.

2 - SAFETY INFORMATION

Safety rules

A careful operator is the best operator. Most accidents can be avoided by observing certain precautions. To help prevent accidents, read and take the following precautions before driving, operating or servicing the tractor. Equipment should be operated only by those who are responsible, trained & authorized to do so.

Precautionary statements

Throughout this manual you will see text, preceded by the words NOTE, ATTENTION, CAUTION, WARNING or DANGER. Such text has the following significance

Machine Safety

NOTE: This text stresses a correct operating technique or procedure.

NOTICE: This text informs the reader about something that he needs to know to prevent minor machine damage if a certain procedure is not followed

General safety rules

Modifications made to this machine may increase the likelihood or potential for debris accumulations that would normally not be present. Modifications include frame-mounted attachments, plates, screens, or other aftermarket equipment. Operators of modified machines must be aware of accumulations of organic debris and/or material and overall machine cleanliness.

Modified machines require additional and more frequent inspection and cleaning during usage. The machine may require inspection and cleaning multiple times per day during usage. Operators must be aware of the operating environment and conditions. Operators must take appropriate actions to maintain the machines during use. In particular, pay attention to the following machine areas:

1. In and around the engine compartment
2. Hot exhaust components
3. Moving, turning, or rotating machine components

Operators that operate the machine in a typical applications and/or conditions must be aware of accumulations of organic debris and/or material and overall machine cleanliness. Pay particular attention where material accumulations are possible or may result.

Machines that operate in a typical applications or conditions require additional and more frequent inspection and cleaning during usage. The machine may require inspection and cleaning multiple times per day during usage. Operators must be aware of the operating environment and conditions. Operators must take appropriate actions to maintain the machines during use. In particular, pay attention to the following machine areas:

1. In and around the engine compartment
2. Hot exhaust components
3. Moving, turning, or rotating machine components

Personal safety

CAUTION

The word CAUTION is used where a safe behavioral practice, according to operating & maintenance instructions and common safety practices will protect the operator and others from accident involvement.

WARNING

The word WARNING denotes a potential or hidden hazard which could possibly cause serious injury. It is used to warn.

DANGER

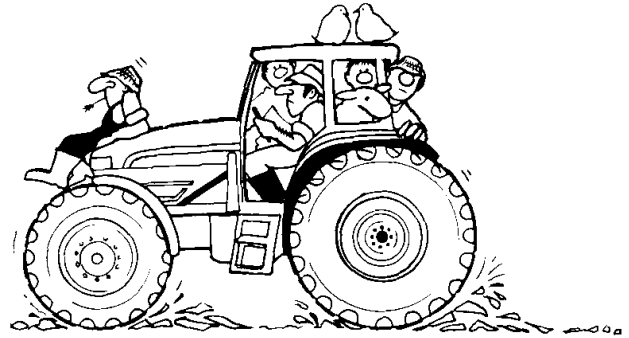
The word DANGER denotes a forbidden practice in connection with a serious hazard

Failure to follow the CAUTION, WARNING and DANGER instructions may result in serious injury to body or even death.

The tractor

Throughout this manual you will see text, preceded by the words NOTE, ATTENTION, CAUTION, WARNING or DANGER. Such text has the following significance:

1. Read this Operator's Manual carefully before using the tractor. Lack of operating knowledge can lead to accidents.
2. To prevent falls, use the hand rails and step plates while getting on and off the tractor. Keep steps and platform clear of mud and debris.
3. Replace all missing, illegible or damaged safety decals.
4. Keep safety decals free of dirt or grime.



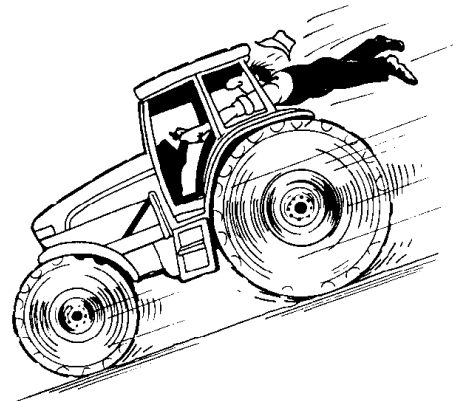
1D0B2014015 1

5. Do not permit anyone, except the operator to ride the tractor. It is unsafe for extra passengers to travel.
6. Always keep children away from the tractor and farm machinery.
7. You or any body else should not modify or alter tractor or any of its components without consulting your authorized dealer.
8. Install all guards before starting the engine or operating the tractor.
9. Tractor wheels are very heavy. Handle with care and ensure while storing that they should not topple down and cause injury to anybody.

Driving the tractor

1. Always sit in the driver's seat while starting or driving the tractor.
2. When driving on public roads, have consideration for other vehicles on the road. Keep tractor in left lane (slow moving traffic lane) so as to allow traffic to pass besides you. Do not exceed the legal speed limit set for agricultural tractors.
3. Dip the tractor lights when meeting a vehicle at night. Make sure the lights are adjusted to prevent blinding the driver of an oncoming vehicle.
4. Reduce speed before turning or applying the brakes. Brake both wheels simultaneously when making an emergency stop. Ensure that both brake pedals are locked together when travelling at road speeds or when on public roads. Ensure correct operation of trailer brakes.

5. Use extreme caution and avoid hard application of the tractor brakes when towing heavy loads at road speeds.
6. Keep the tractor in the same gear when going downhill as it would have been when going uphill. Do not coast or freewheel down hills.



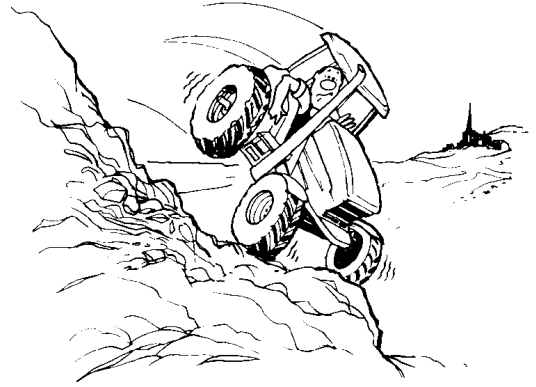
1D0B2014017 2

7. Do not switch off the engine on slope to avoid engine over speeding or engine breakage condition.
8. Any towed vehicle whose total weight exceeds that of the towing tractor must be equipped with brakes for safe operation.
9. Never try to apply the differential lock while turning. When engaged, the differential lock will prevent the tractor from turning.



1D0B2014016 1

10. Always check overhead clearance, specially when transporting the tractor. Watch where you are going, specially at row ends, on roads, around trees and low overhanging obstacles.
11. To avoid overturns, drive the tractor with care and at speeds compatible with safety, specially when operating over rough ground, when crossing ditches or slopes and when turning corners

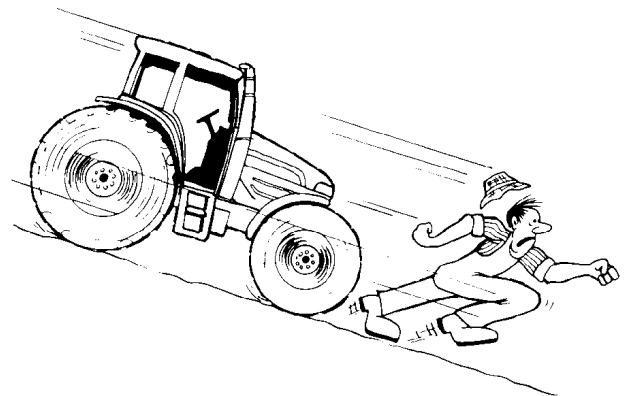


1D0B2014018 3

12. Use extreme caution when operating on steep slopes
13. If tractor tyres are stuck/slipping in forward, reverse the tractor to prevent overturning.

Operating the tractor

1. Apply the parking brake, place the PTO control in the 'OFF' position, the lift control lever in the down position, and the transmission levers in neutral before starting the tractor.
2. Do not start the engine or operate controls while standing beside the tractor. Always sit on the tractor seat when starting the engine or operating the controls.
3. Do not bypass the transmission neutral start switches. Consult your authorized dealer if your neutral start controls malfunction.
4. Use jump leads only in the recommended manner. Improper use can result in a tractor run away on its own or causing damage to the battery



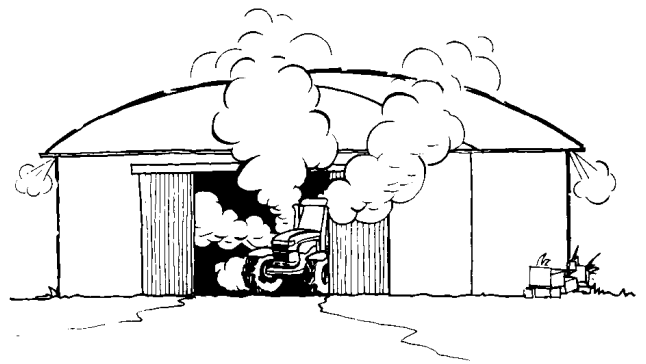
1D0B20140110 2

9. Do not operate the tractor with parking brake applied.
10. Do not run the tractor engine in an enclosed building without adequate ventilation. Exhaust fumes are toxic and can cause death.



1D0B2014019 1

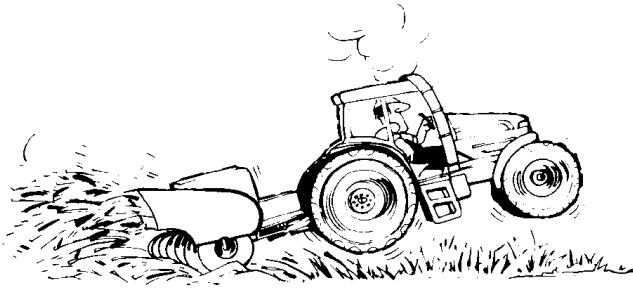
5. Avoid accidental contact with the gear shift levers when engine is running. Unexpected tractor movement can occur due to such contact
6. Do not get off the tractor while it is in motion.
7. Before leaving the tractor, park the tractor on level ground. Apply parking brake, lower down the attached implement to the ground, disengage PTO and stop the engine
8. Do not park the tractor on a steep incline.



1D0B20140111 3

11. Pull only from the pick-up hitch, swinging drawbar or the lower link drawbar in the lowered position. Use only a drawbar pin that locks in place. Pulling from the tractor rear axle or any point above the axle may cause the tractor to overturn.
12. Always select Position Control while attaching or transporting equipment. Be sure hydraulic couplers

are properly mounted so that they can be disconnected safely in case of accidental detachment of the implement.



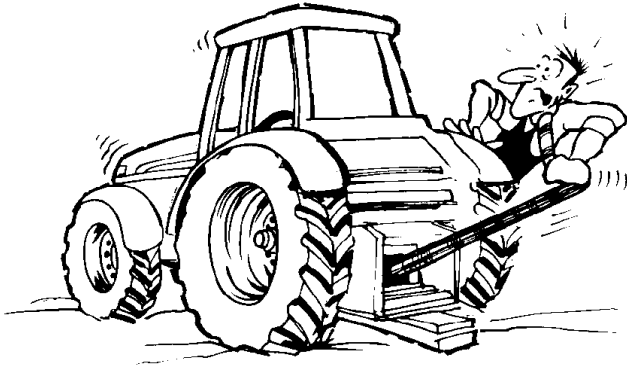
1D0B20140112 4

13. If front end of the tractor tends to rise when heavy implements are attached to the three-point hitch, install front end weights. Do not operate the tractor with a light front end.
14. Engage the clutch slowly when driving out of a ditch, gully or up a steep hillside. Disengage the clutch promptly if the front wheels rise off the ground.

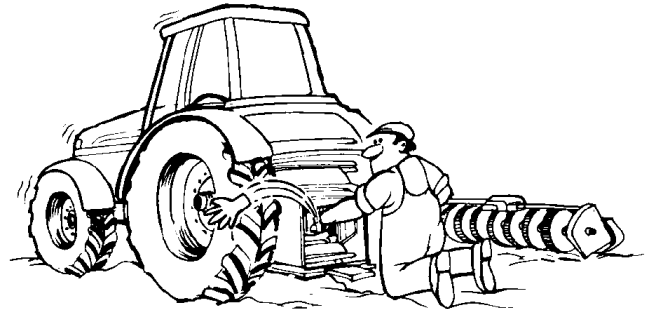
15. For any attachment or accessories ensure following:-
 - A. Are approved for use with the tractor,
 - B. Are correctly installed
 - C. Operated and maintained in accordance to instructions issued by equipment or accessories manufacture
16. Remember that your tractor, if abused or incorrectly used, can be dangerous and become a hazard both to the operator and by-standers. Do not overload or operate with attached equipment which is unsafe, not designed for the particular task or is poorly maintained.
17. Do not leave implement in the raised position when the vehicle is parked or is left unattended.
18. Always wear a protective mask when working with toxic spray chemicals. Follow the directions on the chemical container

Operating the Power Take-Off (PTO)

1. After operation of PTO driven implement is over, shut off the engine, switch off the PTO and wait until the PTO stops before getting off the tractor.
4. To avoid injury, do not clean, adjust, unclog or service PTO driven implement when the tractor engine is running. Ensure that the PTO is switched off.



1D0B20140113 1



1D0B20140114 2

2. Do not wear loose clothing while operating the power take-off or specially when near rotating implement.
3. While operating stationary PTO driven implement, always apply the tractor parking brake and choke the rear wheels front and back.

5. Make sure that PTO guard is in position all the time. Always place or put back the PTO cap when the PTO is not in use.

Thank you so much for reading.
Please click the “Buy Now!”
button below to download the
complete manual.



After you pay.

You can download the most
perfect and complete manual in
the world immediately.

Our support email:

ebooklibonline@outlook.com