

ORIGINAL INSTRUCTIONS

Magnum™ 180

Magnum™ 200

Magnum™ 220

Magnum™ 240

Tractor

PIN ZHRH04001 and above

OPERATOR'S MANUAL

Part number 48158585

1st edition English

September 2017



Contents

1 GENERAL INFORMATION

| | |
|--|------|
| Note to the Owner | 1-1 |
| Engine tampering | 1-1 |
| Tractor intended use | 1-2 |
| Tractors with 50 km/h (30 mph) transmissions | 1-2 |
| Electro-Magnetic Compatibility (EMC) | 1-3 |
| ISOBUS certification | 1-3 |
| Product identification | 1-4 |
| Manual storage | 1-7 |
| Machine orientation | 1-8 |
| Component identification | 1-9 |
| Selective Catalytic Reduction (SCR) system | 1-12 |

2 SAFETY INFORMATION

| | |
|--|------|
| Safety rules and signal word definitions | 2-1 |
| Safety rules - General | 2-2 |
| Safety rules - General maintenance safety | 2-3 |
| Safety rules - Wheels and tires | 2-4 |
| Safety rules - Driving on public roads and general transportation safety | 2-4 |
| Safety rules - Fire and explosion prevention | 2-5 |
| Safety rules - General battery safety | 2-5 |
| Safety rules - Hydraulic system safety | 2-5 |
| Safety rules - Instructional seat safety | 2-6 |
| Safety rules - Operator presence system | 2-6 |
| Safety rules - Power Take-Off (PTO) | 2-7 |
| Safety rules - Reflectors and warning lights | 2-7 |
| Safety rules - Seat belts | 2-7 |
| Safety rules - Roll Over Protective Structure (ROPS) | 2-7 |
| Safety rules - Cab protection | 2-9 |
| Safety rules - Air conditioning system | 2-9 |
| Safety rules - Personal Protective Equipment (PPE) | 2-9 |
| Safety rules - Do Not Operate tag | 2-9 |
| Safety rules - Hazardous chemicals | 2-9 |
| Safety rules - Utility safety | 2-10 |
| Safety rules - Electrical storm safety | 2-10 |
| Safety rules - Mounting and dismounting | 2-10 |
| Safety rules - Working at heights | 2-11 |
| Safety rules - Lifting and overhead loads | 2-11 |
| Safety rules - Implements, tools and trailers | 2-11 |
| Safety rules - Roll over and tip over | 2-12 |
| Proposition 65 | 2-13 |
| Ecology and the environment | 2-13 |
| Safety signs | 2-14 |
| Selective Catalytic Reduction (SCR) decals | 2-22 |
| Global warming potential | 2-24 |

3 CONTROLS AND INSTRUMENTS

ACCESS TO OPERATOR'S PLATFORM

| | |
|----------------------|-----|
| Tractor access | 3-1 |
| Lower step | 3-3 |

OPERATOR'S SEAT

| | |
|------------------------------|-----|
| Control identification | 3-4 |
|------------------------------|-----|

INSTRUCTOR'S SEAT

| | |
|----------------|-----|
| Overview | 3-8 |
|----------------|-----|

FORWARD CONTROLS

| | |
|-----------------------|------|
| Steering column | 3-9 |
| Front console | 3-12 |
| Pedal controls | 3-14 |

RIGHT-HAND SIDE CONTROLS

| | |
|-------------------------------------|------|
| Armrest console | 3-16 |
| Multi function handle | 3-17 |
| Minimum/maximum throttles | 3-22 |
| Control panel | 3-23 |
| Remote valve controls | 3-32 |
| Joystick | 3-33 |
| Armrest compartment | 3-34 |
| Adjusting the armrest console | 3-36 |

REARWARD CONTROLS

| | |
|--|------|
| Fender console | 3-37 |
| Automatic temperature controls | 3-40 |
| Automatic Temperature Control (ATC) system | 3-43 |
| Ventilation | 3-44 |

OVERHEAD CONTROLS

| | |
|----------------------|------|
| Interior lamps | 3-46 |
|----------------------|------|

EXTERIOR CONTROLS

| | |
|-------------------|------|
| Rear fender | 3-47 |
|-------------------|------|

INSTRUMENT CLUSTER

| | |
|----------------------------------|------|
| Overview | 3-48 |
| Gauges | 3-48 |
| Status and warning icons | 3-49 |
| Upper display | 3-52 |
| Lower display | 3-54 |
| Keypad | 3-55 |
| Adjust and configure menus | 3-56 |

| | |
|------------------------------|------|
| Rear tire radius chart | 3-63 |
| Performance features | 3-64 |

4 OPERATING INSTRUCTIONS

COMMISSIONING THE UNIT

| | |
|----------------------------------|-----|
| Before starting the engine | 4-1 |
|----------------------------------|-----|

STARTING THE UNIT

| | |
|----------------------------------|-----|
| Normal engine starting | 4-4 |
| Cold starting aids | 4-6 |
| Cold temperature operation | 4-7 |

STOPPING THE UNIT

| | |
|---------------------------|-----|
| Stopping the engine | 4-9 |
|---------------------------|-----|

MOVING THE UNIT

| | |
|--|------|
| FULL POWERSHIFT TRANSMISSION | 4-11 |
| Powershift transmission | 4-11 |
| Inching pedal and throttle..... | 4-12 |
| Transmission controls | 4-13 |
| Upper display | 4-15 |
| Manual transmission operation..... | 4-16 |
| Automatic Productivity Management (APM™) | 4-18 |
| Automatic Productivity Management (APM) field..... | 4-19 |
| Automatic Productivity Management (APM) road | 4-22 |
| Shuttle memory..... | 4-25 |
| Transmission errors and calibration | 4-26 |
| Creeper gears | 4-27 |
| CONTINUOUSLY VARIABLE TRANSMISSION (CVT) | 4-28 |
| Introduction | 4-28 |
| Continuously Variable Transmission (CVT) brake, pedal and throttle operation | 4-29 |
| Continuously Variable Transmission (CVT) controls | 4-34 |
| Continuously Variable Transmission (CVT) upper display | 4-39 |
| Continuously Variable Transmission (CVT) operation..... | 4-40 |
| Driving the Continuously Variable Transmission (CVT) | 4-43 |
| Continuously Variable Transmission (CVT) error codes..... | 4-48 |
| POWERSHIFT AND CVT TRANSMISSIONS | 4-49 |
| Selective Catalytic Reduction (SCR) system..... | 4-49 |
| Engine idling or full catalyst messages..... | 4-60 |
| Mechanical Front Drive (MFD) | 4-62 |
| Differential lock system | 4-64 |
| Suspended axle | 4-66 |
| Cab suspension, if equipped | 4-68 |
| Engine power management | 4-69 |
| Ride control..... | 4-71 |
| Constant engine speed..... | 4-72 |
| Electronic end of row system..... | 4-75 |

PARKING THE UNIT

| | |
|--------------------------|------|
| Automatic park lock..... | 4-85 |
|--------------------------|------|

5 TRANSPORT OPERATIONS

ROAD TRANSPORT

| | |
|---|-----|
| Tractor warning lamps and Slow Moving Vehicle (SMV) symbol..... | 5-1 |
| Wide transport marker light..... | 5-3 |
| Tractor warning lamps..... | 5-5 |
| Safe transport speed..... | 5-6 |
| Implement warning lamps and Slow Moving Vehicle (SMV) symbol..... | 5-7 |
| Safety chain..... | 5-7 |

SHIPPING TRANSPORT

| | |
|--|-----|
| Securing the tractor for shipping..... | 5-8 |
|--|-----|

RECOVERY TRANSPORT

| | |
|-------------------|-----|
| Safety rules..... | 5-9 |
|-------------------|-----|

6 WORKING OPERATIONS

GENERAL INFORMATION

| | |
|-----------------------------------|-----|
| Before operating the vehicle..... | 6-1 |
| Guidelines..... | 6-2 |

REAR POWER TAKE-OFF (PTO)

| | |
|---|------|
| Safety rules..... | 6-3 |
| Connecting the Power Take-Off (PTO)..... | 6-6 |
| Power Take-Off (PTO) operation..... | 6-9 |
| Two speed Power Take-Off (PTO) systems..... | 6-12 |
| Auto Power Take-Off (PTO) operation..... | 6-13 |
| Power Take-Off (PTO) fender switch operation..... | 6-15 |

THREE-POINT HITCH

| | |
|--|------|
| Connecting three-point hitch implements..... | 6-16 |
| Three-point hitch adjustments..... | 6-17 |
| Hitch quick coupler - Category III/IIIN..... | 6-23 |
| Hitch controls and settings..... | 6-28 |
| Draft control..... | 6-33 |
| Position and ride control..... | 6-36 |

DRAWBARS AND TOWING ATTACHMENTS

| | |
|----------------------------|------|
| Safety rules..... | 6-38 |
| Adjusting the drawbar..... | 6-39 |

HYDRAULIC TRAILER BRAKES

| | |
|--------------------------------|------|
| Trailer brake connections..... | 6-42 |
|--------------------------------|------|

AUXILIARY CONNECTIONS

| | |
|------------------------------------|------|
| Auxiliary power and lighting | 6-43 |
| Cab power connections | 6-44 |
| Radar connection | 6-45 |
| Implement ISOBUS connector | 6-46 |

HYDRAULIC REMOTE CONTROL VALVES

| | |
|--------------------------------------|------|
| Valve couplers and connections | 6-47 |
| Flow capacity | 6-53 |
| Transport lock | 6-55 |
| Transport lock | 6-55 |
| Operating the controls | 6-57 |
| Remote valve display screens | 6-62 |
| Joystick operation | 6-65 |

BALLASTING THE TRACTOR

| | |
|--|-------|
| Guidelines | 6-70 |
| Tire load and inflation charts | 6-83 |
| Weights, cast metal | 6-95 |
| Wheel slip and power hop performance | 6-101 |

MECHANICAL FRONT DRIVE (MFD) AXLES

| | |
|---|-------|
| Tire combinations and tread positions | 6-103 |
| Toe-in setting - Mechanical Front Drive (MFD) axles | 6-110 |
| Steering and oscillation stops | 6-111 |
| Tread and fender settings - Class 4.0 fixed front axles | 6-113 |
| Tread and fender settings - Class 4.75 suspended front axles | 6-118 |
| Front wheel narrow fenders - Narrow fenders, fixed or suspended - Class 4.0 or 4.75 axles | 6-127 |
| Front wheel wide fenders - Wide fenders, fixed or suspended - Class 4.0 or 4.75 axles | 6-132 |

REAR AXLE

| | |
|--|-------|
| Rear wheel installation | 6-137 |
| Rear wheel tread settings | 6-143 |
| Dual wheel setup for 20/22 row spacing | 6-147 |

7 MAINTENANCE

GENERAL INFORMATION

| | |
|--------------------------------|-----|
| Safety rules | 7-1 |
| Maintenance guidelines | 7-2 |
| Dealer service and parts | 7-2 |
| Opening the hood | 7-3 |
| Closing the hood | 7-5 |
| Filling the fuel tank | 7-7 |

| | |
|--|------|
| Draining the Diesel Exhaust Fluid (DEF)/AdBlue® tank | 7-9 |
| Filling the Diesel Exhaust Fluid (DEF)/AdBlue® tank | 7-10 |
| Battery access and service | 7-12 |
| Tire and rim service | 7-14 |
| Tractor jacking points | 7-16 |
| Capacities | 7-18 |
| Consumables - Engine oil | 7-19 |
| Consumables - Front axle oil | 7-20 |
| Consumables - Transmission/hydraulic system | 7-20 |
| Consumables - Diesel fuel | 7-20 |
| Consumables - Biodiesel fuels | 7-21 |
| Consumables - Diesel Exhaust Fluid (DEF)/AdBlue® | 7-23 |
| Consumables - Organic Acid Technology (OAT) coolant | 7-25 |
| Maintenance summary decal | 7-27 |

Maintenance planning

| | |
|-------------------------|------|
| Maintenance chart | 7-28 |
|-------------------------|------|

At warning message display

| | |
|---------------------------------------|------|
| Air filter service icon/message | 7-30 |
| Fuel filter water separator | 7-34 |
| Hydraulic oil filter | 7-35 |

Every 10 hours or daily

| | |
|-------------------------------------|------|
| Engine coolant level | 7-36 |
| Engine oil level | 7-37 |
| Windshield washer fluid level | 7-38 |

First 50 hours

| | |
|--------------------------------|------|
| Dealer performed service | 7-39 |
|--------------------------------|------|

Every 50 hours

| | |
|-----------------------------|------|
| Coolers and condenser | 7-40 |
| Cab air filter | 7-42 |
| Grease fittings | 7-45 |
| Tire pressure | 7-49 |

Every 300 hours

| | |
|---|------|
| Fan belt | 7-50 |
| Transmission oil level | 7-51 |
| Mechanical Front Drive (MFD) gearbox - Class 4.75 suspended axle only | 7-52 |

Every 600 hours

| | |
|---|------|
| Engine oil and filter | 7-53 |
| Diesel Exhaust Fluid (DEF)/AdBlue® in-line filter | 7-55 |
| Hydraulic filter(s) | 7-57 |
| TwinFlow oil filter | 7-59 |

| | |
|--------------------------------------|------|
| Engine primary air filter | 7-60 |
| Engine air intake hoses | 7-63 |
| Fuel filters | 7-65 |
| Differential and planetary oil | 7-67 |

Every 1200 hours or annually

| | |
|---|------|
| Cab air filter | 7-68 |
| Transmission cartridge filter | 7-70 |
| Rear axle bearing | 7-74 |
| Transmission oil | 7-75 |
| Differential and planetary oil | 7-79 |
| Mechanical Front Drive (MFD) gearbox - Class 4.75 suspended axle only | 7-83 |
| Battery terminals | 7-84 |

Every 1200 hours or two years

| | |
|-----------------------------------|------|
| Engine secondary air filter | 7-85 |
| Engine valve adjustment | 7-88 |
| Blowby filter | 7-88 |

Every 3600 hours

| | |
|---|------|
| Diesel Exhaust Fluid (DEF)/AdBlue® supply module filter | 7-89 |
|---|------|

Every 36 months

| | |
|-------------------------------|------|
| Air conditioning system | 7-92 |
|-------------------------------|------|

Every 4000 hours or every four years

| | |
|----------------------|------|
| Engine coolant | 7-93 |
|----------------------|------|

As required

| | |
|---|-------|
| Wheel bolt torque | 7-96 |
| Pre-filter and water trap - if equipped | 7-97 |
| Fuel tank vent filter | 7-99 |
| Diesel Exhaust Fluid (DEF)/AdBlue® tank filler screen | 7-100 |
| Diesel Exhaust Fluid (DEF)/AdBlue® in tank filter | 7-102 |
| Fan belt | 7-103 |
| Remote valve collection bottle | 7-107 |
| Cab fabric and carpet | 7-108 |
| Tractor exterior | 7-109 |
| Seat belt | 7-110 |

Fuse and relay locations

| | |
|--|-------|
| Electrical system - Component identification | 7-111 |
|--|-------|

STORAGE

| | |
|-----------------------------|-------|
| Preparing for storage | 7-117 |
| Removing from storage | 7-119 |

ELECTRICAL SYSTEM

| | |
|---|-------|
| Radio or audio system..... | 7-120 |
| Battery removal and installation | 7-121 |
| Recharging the battery | 7-123 |
| Headlight | 7-124 |
| Roof warning light | 7-125 |
| Fender tail light and warning light | 7-126 |
| Work light..... | 7-127 |
| LED work lights | 7-128 |
| High intensity work light | 7-129 |
| Wide transport marker light..... | 7-130 |
| Rotating beacon light | 7-131 |
| Interior light..... | 7-132 |

8 TROUBLESHOOTING

ALARM(S)

| | |
|---------------------------------|-----|
| Display warnings | 8-1 |
| Automatic engine shutdown | 8-8 |
| Fault reporting | 8-9 |

SYMPTOM(S)

| | |
|---------------------------------------|------|
| Engine symptoms | 8-10 |
| Transmission symptoms..... | 8-12 |
| Hydraulic symptoms..... | 8-13 |
| Hitch symptoms | 8-14 |
| Brake symptoms..... | 8-15 |
| Cab environment symptoms..... | 8-16 |
| Electrical power system symptoms..... | 8-17 |

9 SPECIFICATIONS

| | |
|--|------|
| Engine - General specification | 9-1 |
| Transmission - General specification..... | 9-2 |
| Operating speeds..... | 9-5 |
| Maximum angle (tilt) of operation..... | 9-7 |
| Vehicle dimensions and shipping weight | 9-8 |
| Maximum operating weight..... | 9-10 |

10 ACCESSORIES

| | |
|---------------------------------------|------|
| Farming system displays | 10-1 |
| Chemical tank mounting | 10-2 |
| Loader connection and operation | 10-5 |
| General accessories..... | 10-6 |

11 FORMS AND DECLARATIONS

First service customer copy 11-1
First service dealer copy 11-3



1 - GENERAL INFORMATION

Note to the Owner

This manual contains important information about the safe operation, adjustment and routine maintenance of your **Magnum™** series tractor. The manual is divided into 10 chapters as outlined in the table of contents. Refer to the index at the end of this manual for locating specific items about your tractor.

Do NOT operate or permit anyone to operate or service this machine until you or the other persons have read this manual. Use only trained operators who have demonstrated the ability to operate and service this machine correctly and safely.

This Operator's Manual is to be stored in the manual compartment behind the operator's seat in the vehicle. Make

sure this manual is in good condition. Contact your dealer to obtain additional manuals.

Your CASE IH dealer will instruct you in the general operation of your new equipment. Your dealer's staff of factory-trained service technicians will be glad to answer any questions that may arise regarding the operation of your machine. They will also provide any after-sales service you may need, and genuine CASE IH parts, your guarantee of quality and match.

CASE IH **Max ServiceSM** is also available. Call 1-877-4CASEIH (1-877-422-7344) or email maxservice.na@cnh.com.

Engine tampering

ATTENTION: *The fuel system, exhaust after-treatment system, and engine on your machine are designed and built to government emissions standards. Tampering by dealers, customers, operators, and users is strictly prohibited by law. Failure to comply could result in government fines, rework charges, invalid warranty, legal action, and possible confiscation of the machine until rework to original condition is completed. Engine service and/or repairs must be done by a certified technician only!*

Tractor intended use

Magnum™ series tractors with standard equipment and authorized attachments, are intended to be used for customary farming, agricultural land leveling and related agriculture operations (intended use). Installation of utility (dozer) blades, tile plows, or push bars on the tractor is not recommended. Any tractor damage resulting from the installation and/or use of such equipment is not covered by the tractor warranty.

Consult an authorized dealer or CNH Industrial America LLC on changes, additions or modifications that can be required for this machine to comply with various regulations and safety requirements. Unauthorized modifications will cause serious injury or death. Anyone mak-

ing such unauthorized modifications is responsible for the consequences.

Do not use this machine for any purpose or in any manner other than as described in the manual, decals, or other product safety information provided with the machine. These materials define the machine's intended use.

Use in any other way is considered as contrary to the intended use. The manufacturer accepts no liability for any damage or injury resulting from this misuse and these risks must be born solely by the user.

Tractors with 50 km/h (30 mph) transmissions

Your tractor must be properly configured to achieve its rated **50 km/h (30 mph)** speed. The maximum tire radius used by the tire group on your tractor must be configured.

Your tractor was properly configured when it was manufactured. If you want to change the tire group used by

the tractor, consult your CASE IH dealer. Your dealer has the software tools to change the tractor configuration with correct radius for the new tire group.

Electro-Magnetic Compatibility (EMC)

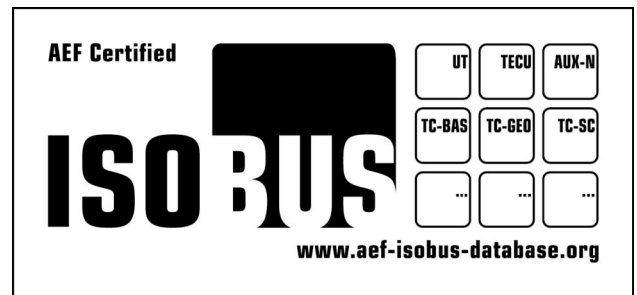
Interference may arise as a result of add-on equipment that may not necessarily meet the required standards. As such interference can result in serious malfunction of the unit and/or create unsafe situations, you must observe the following:

- The maximum power of emission equipment (radio, telephones, etc.) must not exceed the limits imposed by the national authorities of the country where you use the machine
- The electro-magnetic field generated by the add-on system should not exceed **24 V/m** at any time and at any location in the proximity of electronic components
- The add-on equipment must not interfere with the functioning of the on board electronics

Failure to comply with these rules will render the CASE IH warranty null and void.

ISOBUS certification

The Agricultural Industry Electronics Foundation (AEF) certified label indicates that various system components are in compliance with the ISOBUS 11783 standard. The software in your tractor ISOBUS control module – the Tractor Electronic Control Unit (TECU) – has been independently tested and received basic TECU certification.

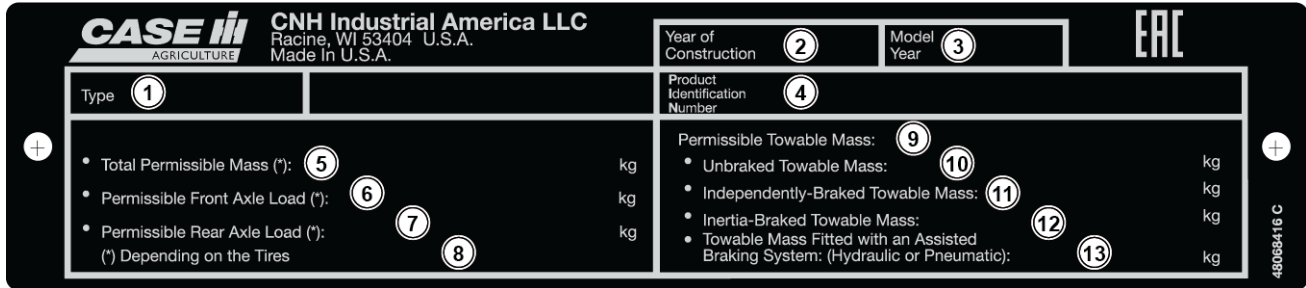


RAIL14TR02690AA 1

Product identification

Tractor model and Product Identification Number (PIN)

Write your model number, Product Identification Number (PIN) or serial number of major components on the lines provided. If needed, give these numbers to your dealer when you need parts or information for your machine.

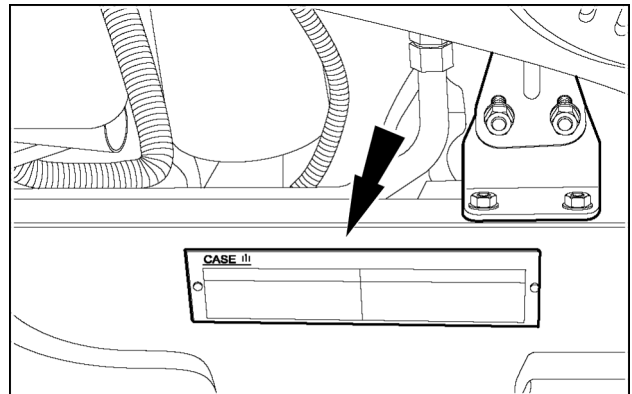


RAIL17TR01640EA 1

| | |
|-------------------------------------|---|
| 1. Type | 8. (*) Depending on the tires |
| 2. Year of construction | 9. Permissible towable mass: |
| 3. Model year | • 10. Unbraked towable mass: |
| 4. Product identification number | • 11. Independently-braked towable mass: |
| 5. Total permissible mass (*): | • 12. Inertia braked towable mass: |
| 6. Permissible front axle load (*): | • 13. Towable mass fitted with an assisted braking system: (hydraulic or pneumatic) |
| 7. Permissible rear axle load (*): | |

Model :

PIN

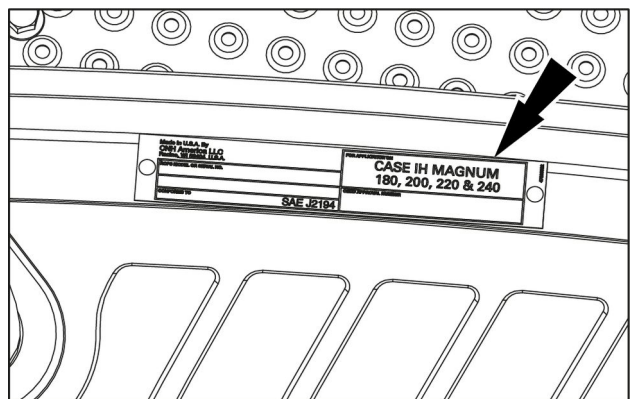


RCPH08CCH625AAB 2

NOTE: Located on right hand front frame casting.

Roll Over Protective Structure (ROPS) serial number

NOTE: Located on the right hand cab floor.



RAIL13TR04461AA 3

Buy Now



Our support email:

ebooklibonline@outlook.com