

ORIGINAL INSTRUCTIONS

L103

L104

L105

L106

L107

L108

L795

Front Loader

OPERATOR'S MANUAL

Part number 51425191

1st edition English

December 2017



Contents

1 GENERAL INFORMATION

Note to the Owner	1-1
Intended use.....	1-2
Electro-Magnetic Compatibility (EMC)	1-4
Machine orientation.....	1-5
Product identification	1-6
Definition	1-7

2 SAFETY INFORMATION

Safety rules and signal word definitions	2-1
Safety rules	2-2
Ecology and the environment	2-7
Safety signs	2-8

3 OPERATING INSTRUCTIONS

Commissioning the unit

Machine preparation.....	3-1
Hydraulic controls	3-4
Installing the loader.....	3-5
Removing the loader	3-7
Re-installing the loader	3-9
Check list	3-11

4 WORKING OPERATIONS

General information

Operating the loader.....	4-1
Soft-ride suspension-Optional	4-5
Remove bucket or attachment (SSL style)	4-6
Install bucket or attachment (SSL style).....	4-7
Remove bucket or attachment (EURO Style)	4-9
Install bucket or attachment (EURO style)	4-11
Remove bucket or attachment with hydraulic lock (EURO Style)-Optional	4-13
Install bucket or attachment with hydraulic lock (EURO style)-Optional	4-15
Operation with grapple fork attachment	4-17
Operation with H.D. bale grip.....	4-19
Operation with bale spike attachment	4-21

5 MAINTENANCE

General information

Note to the owner.....	5-1
Torque - Minimum tightening torques for normal assembly - Minimum Tightening Torques for Normal Assembly	5-2
Torque - Standard torque data for hydraulics - Standard torque data for hydraulics ..	5-5

Shut-off mechanism	5-7
Replacing the WEO plug-in coupling	5-8
Storage	5-9
Consumables	5-10

Maintenance planning

Maintenance chart	5-11
-------------------------	------

Every 8 hours or daily

Pivot points - Grease	5-11
-----------------------------	------

After the first 10 hours

Loader subframe torque-Check	5-13
------------------------------------	------

Every 50 hours

Loader subframe torque-Check	5-13
Check the hydraulic system for leaks	5-14

6 TROUBLESHOOTING

Symptom(s)

Basic instructions	6-1
Loader attachment - Troubleshooting	6-1

7 SPECIFICATIONS

Loader specifications	7-1
-----------------------------	-----

8 ACCESSORIES

Loader attachments	8-1
--------------------------	-----

9 FORMS AND DECLARATIONS

Predelivery report - Dealer copy	9-1
Predelivery report - Owner copy	9-3

1 - GENERAL INFORMATION

Note to the Owner

This manual contains information concerning the adjustment and maintenance of your new equipment. You have purchased a dependable machine, but only by proper care and operation can you expect to receive the performance and long service built into this equipment. Please have all operators read this manual carefully and keep it available for ready reference.

Read and thoroughly understand this manual before operating this machine. If you are an inexperienced operator, study this manual and receive operating instructions from an experienced operator. Your dealer can assist you in learning machine operation and show you proper operating procedures. Keep this manual readily available, preferably with the machine. If the original manual is damaged, order a new one from your CASE IH dealer.

Your CASE IH dealer will instruct you in the general operation of your new equipment. (Refer to the 'Delivery Report' at the back of this manual.) Your dealer's staff of factory-trained service technicians will be glad to answer any questions that may arise regarding the operation of your machine. Case IH Max Service is also available. Call 1-877-4CASEIH (1-877-422-7344) or email maxservice.na@cnh.com.

Your CASE IH dealer carries a complete line of genuine CASE IH service parts. These parts are manufactured and carefully inspected to insure high quality and accurate fitting of any necessary replacement parts. Be prepared to give your dealer the model and product identification number of your new equipment when ordering parts. Locate these numbers now and record them below. Refer to the 'General Information' section of this manual for the location of the model and product identification numbers of your machine.

PLEASE RECORD THE FOLLOWING INFORMATION


Loader Model

Product Identification Number (PIN)

Date Purchased

Attachment Model

Attachment Model

	This is the safety alert symbol. It is used with and without signal words to alert you to potential personal injury hazards. Obey all safety messages that follow this symbol to avoid possible death or injury.
---	--

WARNING

Illustrations in this manual may show protective shielding open or removed to better illustrate a particular feature or adjustment.

Replace all shields before operating the machine.

Failure to comply could result in death or serious injury.

W0012A

IMPROVEMENTS

CNH Industrial America LLC is continually striving to improve its products. We reserve the right to make improvements or changes when it becomes practical and possible to do so, without incurring any obligation to make changes or additions to the equipment sold previously.

Intended use

⚠ WARNING

IMPROPER OPERATION OF THIS MACHINE CAN CAUSE DEATH OR SERIOUS INJURY.

MAKE SURE THAT EVERY OPERATOR:

- is instructed in the safe and proper use of this machine.
 - reads and understands the operator's manual for this machine.
 - reads and understands ALL safety signs on the machine.
- Failure to comply could result in death or serious injury.

W0188A

⚠ CAUTION

Equipment failure could cause accident or injury!

Never exceed the maximum safe working load of the loader.

Failure to comply could result in minor or moderate injury.

C0161A

Your loader is designed and made to move material(s), dig, grade, and level, although within some physical limits. The working speed and performance may depend on a number of various parameters, such as weather and terrain conditions. Though the machine is designed to perform satisfactory in most materials and conditions, there may be a number of combinations of above parameters, for which there is severe degradation of performance of the machine. If you notice degradation of performance, contact your CASE IH dealer for assistance. He may have useful information for improvements, or a kit may be available to enhance the performance.

- The loader was designed to mount on CASE IH approved tractors. The loader is designed to load and move materials with a variety of buckets and approved CASE IH attachments.
- Do not use the machine for another purpose than intended by the manufacturer and outlined in this manual.
- Do not use the machine beyond its limits of terrain gradient and stability as outlined further in this manual. Using the machine beyond these limits may result in roll-over or tip-over. Observe the recommendations in this manual.
- Use only approved accessories and attachments that are designed for your machine. Consult your dealer on changes, additions or modifications that may be required for your machine. Do not make any unauthorized modifications to your machine.
- Do not use the machine near or on soft verges of canals and brooks or banks and verges that are undermined by rodents. The machine may sink sideways and roll-over.
- Do not use the machine on brittle bridge heads and poor bridge floors. These constructions may collapse and cause roll-over of the machine. Always check out the condition and carrying capacity of bridges and ramps prior to engage.
- Do not use the machine without wearing the seat restraint system during activities where roll-over or tip-over hazards exist. The Roll Over Protection Structure (ROPS) structure will only be fully effective when the driver remains attached to his seat.
- Do not use the machine beyond its limits of dynamic stability. High speed, abrupt maneuvers, and fast and short cornering will increase the risk of roll-over.
- Be cautious that the center of gravity of the machine may increase when loads on the bucket or attachment are raised. In these conditions, the machine may roll-over earlier than expected.
- You shall take the necessary precautions to always be aware of the possible presence of bystanders, certainly when maneuvering in confined areas, such as the farm yard and sheds. Keep people away from the machine during work; ask bystanders to leave the field. There is not only the risk to be overrun by the machine, but objects may be dropped from a loader. The path of the fallen objects are unknown. Keep bystanders away from the work area.
- Do not allow riders on the machine.
- All persons who will be operating this machine shall possess a valid local vehicle operating permit and/or other applicable local age work permits.
- The machine is designed and produced exclusively for agricultural use.
- The machine is not designed for light/heavy forestry applications; usage is prohibited for forestry applications.

- All other use will be considered to be contrary to the use specified by CNH Industrial America LLC, who cannot be held liable for damage to property or the machine, or for personal injuries which may result.
- Persons who risk improper use will therefore assume the responsibility for any consequences arising from such use.
- Compliance with the instructions for use, maintenance and repairs described in this manual, are the essential pre-conditions for the use specified by CNH Industrial America LLC.
- The machine must only be used, serviced, or repaired by personnel trained in the relevant working methods and safety regulations and who have been authorized to work on the machine.
- The user must also observe the rules concerning general safety and accident prevention, including the Highway Code when driving on public highways.
- Any arbitrary modifications made to this machine will release CNH Industrial America LLC from any liability resulting from damage or injury.
- CNH Industrial America LLC and all its distribution organizations, inclusive of, but not restricted to, national, regional, or local distributors, cannot be held liable for damage resulting from the malfunction of parts and/or components not approved by CNH Industrial America LLC.
- Under no circumstances will a guarantee be issued for products made or sold by CNH Industrial America LLC that are damaged as a result of the malfunction of parts and/or components not approved by CNH Industrial America LLC.

Electro-Magnetic Compatibility (EMC)

Interference may arise as a result of add-on equipment that may not necessarily meet the required standards. As such interference can result in serious malfunction of the unit and/or create unsafe situations, you must observe the following:

- The maximum power of emission equipment (radio, telephones, etc.) must not exceed the limits imposed by the national authorities of the country where you use the machine
- The electro-magnetic field generated by the add-on system should not exceed **24 V/m** at any time and at any location in the proximity of electronic components
- The add-on equipment must not interfere with the functioning of the on board electronics

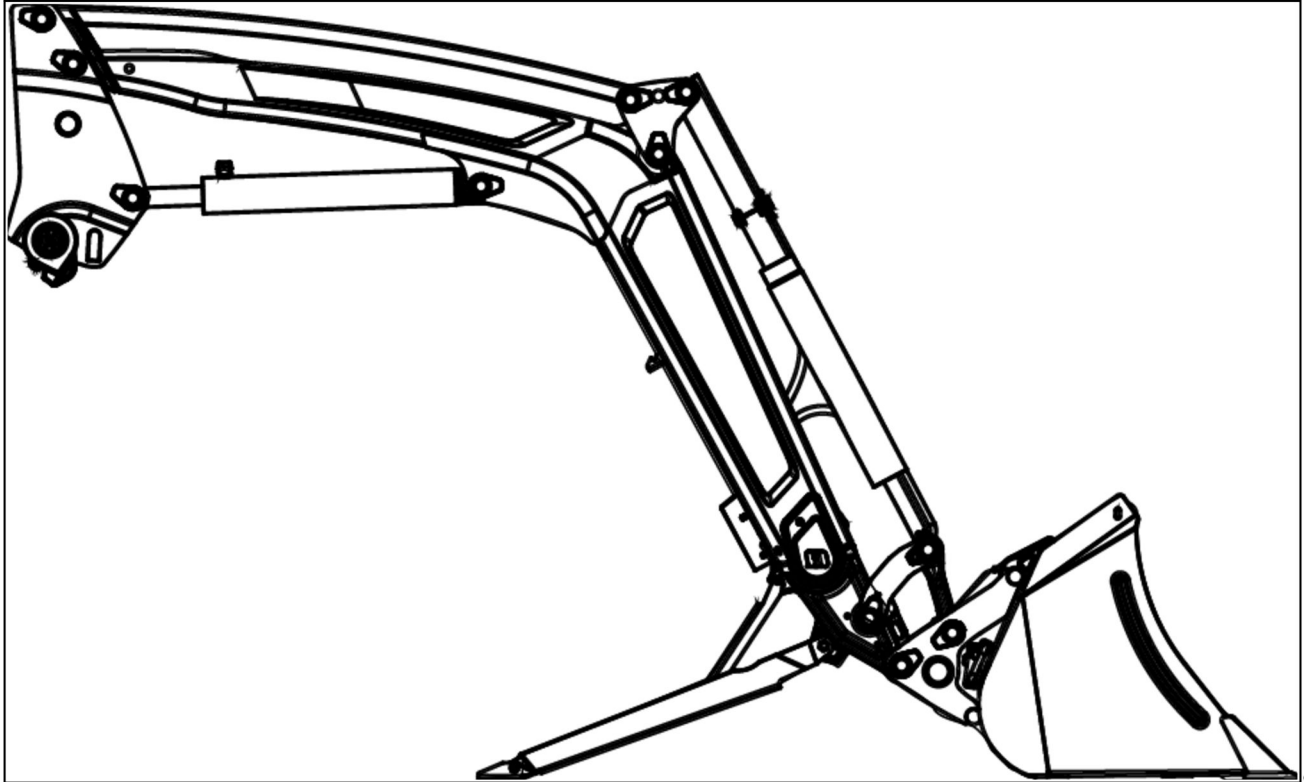
Failure to comply with these rules will render the CASE IH warranty null and void.

Machine orientation

Alignment reference

In this manual, references to right-hand and left-hand are consistently as seen from the operator's seat when facing forwards.

NOTE: Some illustrations in this manual may show a different model of tractor or loader, compared with your loader. The same information applies to your equipment unless otherwise specified.



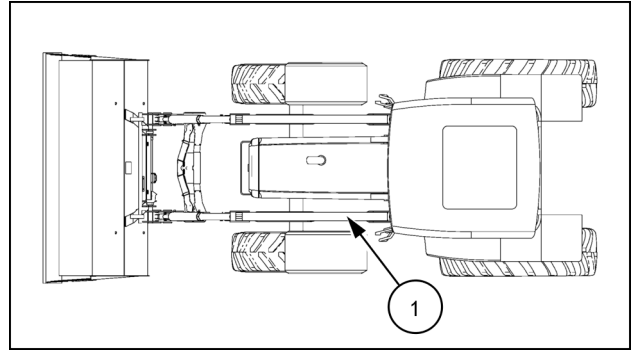
NHIL17GEN0052FA 1

Right-hand view

Product identification

Product identification plate

A product identification plate (1) is located on the inside of the left-hand loader arm.



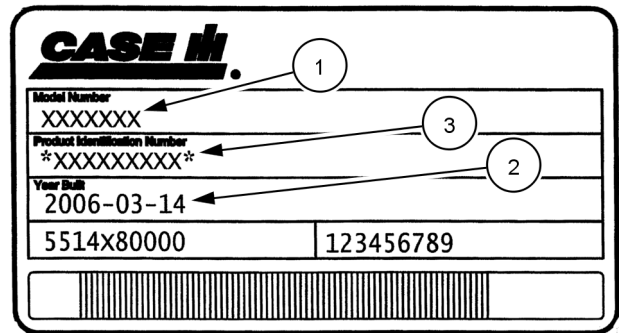
20105780 1

The identification numbers on this plate are important in the event that your loader should require future service.

The plate specifies:

Model, Product Identification Number and Production Date.

The loader model, product identification number (PIN) and production date, must always be quoted during service questions or when spare parts are needed.



CIH SN PLATE 2

Definition

Description

3rd function

- Optional hydraulic function for operating the attachment hydraulics.

Bucket level indicator

- Device that indicates the angular position of the implement during lifting and lowering movements.

Control valve

- Valve designed for controlling the operation of the loader.

Central control valve

- Central distribution valve, mounted on the loader cross tube which has the capability to accommodate hydraulic options.

“Quick Connect” (Multi Coupler Fast Snap Style)

- Multi port hydraulic connection for coupling and uncoupling the loader’s hydraulics.

Hose kit

- Hoses and hydraulic components for connecting the loader to the tractor’s original remote valve.

Soft-ride loader suspension

- Load damper, improves driver comfort and reduces stress on the tractor and loader when driving on rough surface

SSL “Quick Attach”

- Attachments and loader attaching plate that is compatible with approved skid steer loader attachments.

EURO “Quick Attach”

- Attachments with hooks and loader tool carrier connection system. Designed for international standard ISO23206.

2 - SAFETY INFORMATION

Safety rules and signal word definitions


Personal safety





This is the safety alert symbol. It is used to alert you to potential personal injury hazards. Obey all safety messages that follow this symbol to avoid possible death or injury.

Throughout this manual and on machine safety signs, you will find the signal words DANGER, WARNING, and CAUTION followed by special instructions. These precautions are intended for the personal safety of you and those working with you.

Read and understand all the safety messages in this manual before you operate or service the machine.

 DANGER indicates a hazardous situation that, if not avoided, will result in death or serious injury. The color associated with DANGER is RED.

 WARNING indicates a hazardous situation that, if not avoided, could result in death or serious injury. The color associated with WARNING is ORANGE.

 CAUTION indicates a hazardous situation that, if not avoided, could result in minor or moderate injury. The color associated with CAUTION is YELLOW.

FAILURE TO FOLLOW DANGER, WARNING, AND CAUTION MESSAGES COULD RESULT IN DEATH OR SERIOUS INJURY.

Machine safety

NOTICE: Notice indicates a situation that, if not avoided, could result in machine damage or property damage. The color associated with Notice is BLUE.

Throughout this manual you will find the signal word Notice followed by special instructions to prevent machine damage or property damage. The word Notice is used to address practices not related to personal safety.

Information

NOTE: Note indicates additional information that clarifies steps, procedures, or other information in this manual.

Throughout this manual you will find the word Note followed by additional information about a step, procedure, or other information in the manual. The word Note is not intended to address personal safety or property damage.

Safety rules

General safety rules

Use caution when you operate the machine on slopes. Raised equipment, full tanks and other loads will change the center of gravity of the machine. The machine can tip or roll over when near ditches and embankments or uneven surfaces.

Never permit anyone other than the operator to ride on the machine.

Never operate the machine under the influence of alcohol or drugs, or while you are otherwise impaired.

When digging or using ground-engaging attachments, be aware of buried cables. Contact local utilities to determine the locations of services.

Pay attention to overhead power lines and hanging obstacles. High voltage lines may require significant clearance for safety.

Hydraulic oil or diesel fuel leaking under pressure can penetrate the skin, causing serious injury or infection.

- DO NOT use your hand to check for leaks. Use a piece of cardboard or paper.
- Stop the engine, remove the key, and relieve the pressure before you connect or disconnect fluid lines.
- Make sure that all components are in good condition. Tighten all connections before you start the engine or pressurize the system.
- If hydraulic fluid or diesel fuel penetrates the skin, seek medical attention immediately.
- Continuous long term contact with hydraulic fluid may cause skin cancer. Avoid long term contact and wash the skin promptly with soap and water.

Keep clear of moving parts. Loose clothing, jewelry, watches, long hair, and other loose or hanging items can become entangled in moving parts.

Wear protective equipment when appropriate.

DO NOT attempt to remove material from any part of the machine while it is being operated or while components are in motion.

Make sure that all guards and shields are in good condition and properly installed before you operate the machine. Never operate the machine with shields removed. Always close access doors or panels before you operate the machine.

Dirty or slippery steps, ladders, walkways, and platforms can cause falls. Make sure these surfaces remain clean and clear of debris.

A person or pet within the operating area of a machine can be struck or crushed by the machine or its equipment. DO NOT allow anyone to enter the work area.

Raised equipment and/or loads can fall unexpectedly and crush persons underneath. Never allow anyone to enter the area underneath raised equipment during operation.


Always keep windows, mirrors, all lighting, and Slow-Moving Vehicle (SMV) emblem clean to provide the best possible visibility while you operate the machine.

Operate controls only when seated in the operator's seat, except for those controls expressly intended for use from other locations.

Before you leave the machine:

1. Park the machine on a firm, level surface.
2. Put all controls in neutral or park lock position.
3. Engage the parking brake. Use wheel chocks if required.
4. Lower all hydraulic equipment — Implements, header, etc.
5. Turn off the engine and remove the key.

When, due to exceptional circumstances, you would decide to keep the engine running after you leave the operator's station, then you must follow these precautions:

1. Bring the engine to low idle speed.
2. Disengage all drive systems.
3.  **WARNING**

Some components may continue to run down after you disengage drive systems. Make sure all drive systems are fully disengaged. Failure to comply could result in death or serious injury.

W0113A

Shift the transmission into neutral.

4. Apply the parking brake.

General maintenance safety

Keep the area used for servicing the machine clean and dry. Clean up spilled fluids.

Service the machine on a firm, level surface.

Install guards and shields after you service the machine.

Close all access doors and install all panels after servicing the machine.

Buy Now



Our support email:

ebooklibonline@outlook.com