

ORIGINAL INSTRUCTIONS

OPERATOR'S MANUAL

T9.435

T9.480

T9.530

T9.565

T9.600

T9.645

T9.700

T9.530 SmartTrax™

T9.565 SmartTrax™

T9.600 SmartTrax™

T9.645 SmartTrax™

T9.700 SmartTrax™

Tier 4B (final)

Tractor

PIN JEEZ00000JF406501 and above

Part number 51461859

1st edition English

September 2018



Contents

1 GENERAL INFORMATION

Note to the owner.....	1-1
Intended use.....	1-1
CNH Industrial America LLC technical manuals	1-2
Your tractor	1-3
Electro-Magnetic Compatibility (EMC)	1-5
Product identification	1-6
Operator's manual storage on the machine	1-9
Machine orientation.....	1-10
Component location	1-12
Selective Catalytic Reduction (SCR) system.....	1-14
Note to the Owner	1-17

2 SAFETY INFORMATION

Safety alert symbol and signal word definition	2-1
Safety rules.....	2-2
Ecology and the environment	2-13
Protective structures.....	2-14
Emergency exit	2-15
Articulation cylinder locking blocks	2-16
Safety signs	2-17

3 CONTROLS AND INSTRUMENTS

Access to operator's platform

Cab access/exit.....	3-1
----------------------	-----

Operator's seat

Overview	3-3
Control identification.....	3-4

Instructional seat

Overview	3-7
----------------	-----

Forward controls

Steering column controls	3-8
Front console controls.....	3-11
Pedal controls	3-12
Ventilation	3-15
Front sun shade	3-15

Right-hand side controls

Armrest console	3-16
Multi-function handle	3-18
Throttle control	3-24

Control panel	3-25
Remote valve controls	3-32
Joystick	3-33
Armrest compartment	3-34
Hitch controls	3-36
Adjusting the armrest console	3-37

Rearward controls

Rear sun shade	3-38
----------------------	------

Overhead controls

Overview	3-39
Automatic Temperature Control (ATC)	3-41
Automatic Temperature Control (ATC) operation	3-45
Center panel controls	3-47
Radio (if equipped)	3-51
Interior and access lights	3-52
Interior rear-view mirror	3-53

Exterior controls

Exterior hitch control	3-54
Outside extendable mirrors	3-54

Instrument cluster

Overview	3-55
Gauges	3-55
Status and warning icons	3-56
Upper display	3-59
Diesel Exhaust Fluid (DEF)/AdBlue® level	3-61
Diesel Exhaust Fluid (DEF)/AdBlue® display warnings	3-62
Lower display	3-72
Keypad	3-74
Instrumentation - setup menu	3-75
Instrumentation - adjust menu	3-82
Performance instrumentation	3-88

4 OPERATING INSTRUCTIONS

Commissioning the unit

Before starting the engine	4-1
----------------------------------	-----

Starting the unit

Normal engine starting	4-5
Cold temperature operation	4-7

Stopping the unit

Stopping the machine and the engine	4-10
---	------

Moving the unit

Inching (clutch) pedal operation	4-11
Transmission control lever.....	4-12
Ultra Command™ transmission	4-14
Overview	4-14
Transmission controls	4-16
Driving the Ultra Command™ transmission	4-17
Changing startup gear.....	4-20
Ground Speed Management (GSM)	4-22
Auto Command™ transmission	4-32
Overview	4-32
Foot pedal, hand throttle and droop control	4-34
Transmission controls	4-39
Driving the Auto Command™ transmission	4-43
Transmission messages	4-52
All tractors	4-53
Selective Catalytic Reduction (SCR) system.....	4-53
Electronic steering system	4-55
Differential lock system	4-56
Power management	4-60
Constant engine speed	4-61
Headland Management System (HMS)	4-66
Engine compression brake (if equipped)	4-72

Parking the unit

Automatic park lock.....	4-73
Park brake engagement - Auto Command™ transmission.....	4-75

5 TRANSPORT OPERATIONS

Road transport

Tractor warning lamps and Slow Moving Vehicle (SMV) symbol.....	5-1
Wide transport marker light.....	5-4
Operating the tractor warning lamps	5-5
Safe transport speed	5-6
Implement warning lamps and Slow Moving Vehicle (SMV) symbol	5-7
Safety chain	5-7

Shipping transport

Securing the tractor for shipping	5-8
---	-----

Recovery transport

Safety rules	5-9
Towing the tractor.....	5-10

6 WORKING OPERATIONS

General information

Product overview	6-1
------------------------	-----

REAR POWER TAKE-OFF (PTO)

Power Take-Off (PTO) safety rules	6-2
Connecting the Power Take-Off (PTO)	6-4
Power take-off (PTO) operation	6-5

THREE-POINT HITCH

Identification	6-7
Link adjustment	6-9
Sway block adjustment	6-12
Mechanical float adjustment	6-13
Hitch quick coupler - Category IVN	6-14
Transport lock	6-17
Hitch operation	6-18
Rear remote hitch switch	6-23
Position control operation	6-24
Slip control operation	6-26

DRAWBARS AND TOWING ATTACHMENTS

Safety rules	6-27
Drawbar capacities	6-28
Scraper operation	6-31

TRAILER BRAKE COUPLER

Safety rules	6-34
Trailer brake connections	6-35

AUXILIARY POWER CONNECTIONS

External power and lighting connections	6-35
Cab power connections	6-38

HYDRAULIC REMOTE CONTROL VALVES

Valve couplers and connections	6-41
Optional circuits	6-48
Hydraulic remote valve transport lock	6-49
Right-hand armrest controls	6-50
Operating the lever controls	6-51
Operating the Joystick control	6-55
Remote valve display screens	6-59
Auto auxiliary mode operation	6-62
Auto depth control operation	6-65

BALLASTING THE TRACTOR

Guidelines	6-68
Weights, cast metal and liquid.....	6-72
Wheel weight bolt torque	6-78
Wheel slip	6-79

FRONT AND REAR AXLE

Tire safety	6-80
Pressure and load ratings	6-80
Wheel installation.....	6-87
Wheel tread settings.....	6-94
Pre-conditioning rubber tracks	6-103

7 MAINTENANCE

General information

General information	7-1
Engine hood	7-2
Engine side shields.....	7-3
Opening the right-hand service door	7-4
Battery access.....	7-5
Power cut-off switch	7-6
Filling the fuel tank	7-8
Fuel tank capacity	7-9
Filling the Diesel Exhaust Fluid (DEF)/AdBlue® tank	7-10
Diesel Exhaust Fluid (DEF)/AdBlue® tank capacity.....	7-12
Tire and rim service.....	7-12
Tractor jacking points.....	7-14
Lubricants and capacities	7-16
Engine oils.....	7-17
Consumables - Diesel fuel - Diesel fuel	7-18
Consumables - Biodiesel fuel - Biodiesel fuels	7-19
Organic Acid Technology (OAT) coolant.....	7-21
Electrical specifications.....	7-22
Battery system.....	7-23
Auxiliary battery connections	7-25
Engine hourmeter	7-27

Maintenance planning

Maintenance chart.....	7-28
------------------------	------

At warning message display

Air cleaner	7-30
Primary fuel filter	7-31
Fuel supply restricted (13L engines only)	7-31

Every 10 hours or daily

Engine oil level	7-32
------------------------	------

Wheel bolt torque	7-33
Wheel weight bolt torque	7-33
Tracks	7-34
Track tension	7-35
Transmission oil level	7-36
Hydraulic and axle oil level	7-37
Engine coolant level	7-38
Secondary cooling system level	7-39
Fuel level	7-40
Diesel Exhaust Fluid (DEF)/AdBlue® level	7-40
General tractor inspection	7-40

Every 50 hours

Fuel tank and fuel filter	7-41
Articulation hinge - upper front	7-43
Oscillation hinge - rear	7-43
Articulation hinge - lower	7-43
Articulation cylinder - front, left-hand, right-hand	7-44
Articulation cylinder - rear, left-hand and right-hand	7-44
Hitch cylinder pin - upper (if equipped)	7-44
Hitch cylinder pin - lower (if equipped)	7-45
Hitch rockshaft - left-hand and right-hand	7-46
Hitch lift links and top link	7-46
Driveshaft carrier bearing	7-47

First 100 hours

Ultra Command™ transmission filter	7-48
Ultra Command™ transmission clutches	7-49
Auto Command™ transmission filters	7-55
Auto Command™ transmission clutches	7-57
Power Take-Off clutches on Auto Command™ transmission	7-61
Engine fuel filter	7-66
Hydraulic oil filters	7-69

Every 600 hours

Engine oil and filter	7-70
Engine fuel filter	7-73
Engine fuel pre-filter	7-74
Fuel tank vent	7-78
Cab air filter, outside	7-79
Air tubing - engine	7-81
Alternator - water pump belt	7-81
Power Take Off (PTO) carrier bearing	7-82
Power Take Off (PTO) slip joint	7-82
Radiator and coolers	7-83
Cab recirculation filter	7-85

Every 600 hours or yearly

Diesel Exhaust Fluid (DEF)/AdBlue® tank filter	7-86
Battery electrolyte level	7-88
Idler and roller wheel oil	7-89

Every 1000 hours or yearly

Ultra Command™ transmission clutches	7-90
--	------

Every 1200 hours

Engine crankcase breather filter	7-91
Ultra Command™ transmission oil and filter	7-95
Ultra Command™ transmission breather	7-96
Auto Command™ transmission oil and filters	7-97
Auto Command™ transmission clutches	7-98
Auto Command™ transmission breather	7-98
Engine air filters	7-99
Diesel Exhaust Fluid (DEF)/AdBlue® supply module filter	7-105
Door lock and hinges	7-108

Every 1800 hours

Hydraulic oil and filters	7-109
Hydraulic reservoir breather	7-112
Cab air filter, outside	7-113
Engine air tubing	7-115

Every 2000 hours

Idler and roller wheel oil	7-116
----------------------------------	-------

Every 2400 hours

Engine coolant drain and flush	7-117
Secondary cooling system drain and flush	7-120

Every 3000 hours

Engine valve adjustment	7-123
-------------------------------	-------

As required

Diesel Exhaust Fluid (DEF)/AdBlue® suction circuit filter	7-124
Power Take-Off clutches on Auto Command™ transmission	7-124
Vehicle fire prevention	7-124
Remote valve couplers	7-126
Pressure cooling system hoses	7-126
Hydraulic system hoses	7-126
Tire pressure	7-126
Serpentine belt	7-127
Viscous fan drive	7-127

Track inspection	7-128
Track tension	7-130
Cab fabric and carpet.....	7-131
Seat belt	7-131
Battery removal and installation	7-132
Hood lamps.....	7-134
Flood and work lamps	7-139
Fender tail light and warning light	7-142
Amber roof warning light	7-145
Exterior step light.....	7-147
Interior lights.....	7-149

Fuse and relay locations

Component identification	7-152
--------------------------------	-------

Storage

Placing in storage	7-160
Removing from storage.....	7-161

8 TROUBLESHOOTING

Fault code resolution

Fault code retrieval	8-1
----------------------------	-----

Alarm(s)

Display warnings	8-4
Ultra Command™ transmission	8-16
Auto Command™ transmission	8-17

9 SPECIFICATIONS

Engine specifications	9-1
Power train and hydraulics	9-3
Lubricants and capacities	9-6
Speed charts - Ultra Command™ transmission	9-7
Speed charts - Auto Command™ transmission	9-11
Vehicle dimensions and shipping weight	9-14
Maximum operating weight.....	9-17

10 ACCESSORIES

Farming system displays	10-1
Chemical tank mounting	10-2
General accessories.....	10-5

1 - GENERAL INFORMATION

Note to the owner

This manual contains important information about the safe operation, adjustment, and routine maintenance of your tractor. The manual is divided into ten chapters as outlined on the Contents page. Refer to the index at the end of this manual for locating specific items about your tractor.

Do NOT operate or permit anyone to operate or service this machine until you or the other persons have read this manual. Use only trained operators who have demonstrated the ability to operate and service this machine correctly and safely.

Store this operator's manual in the manual compartment behind the operator's seat in the vehicle. Make sure this manual is in good condition. Contact your dealer to obtain additional manuals.

Intended use

The intended use of T9 series tractors with standard equipment and authorized attachments is for customary farming, land leveling, and related agricultural operations. Standard equipment includes rear-drawbar towed implements and hitch-mounted implements for tillage, planting, seeding, and hauling. You or a NEW HOLLAND authorized dealer must install attachments for agricultural liquid chemical application in a way that does not impair the safe operation of the tractor. Compliance with and strict adherence to the conditions of operation, service, and repair, as specified by NEW HOLLAND, and including conditions as to inspection, cleaning and maintenance, constitute essential elements of the intended use.

NEW HOLLAND does not intend for the use of this tractor for forestry work or with loaders. The cab on this tractor does not offer sufficient protection. NEW HOLLAND does not approve the installation or use of unauthorized frame-mounted or other attachments. No attachment should be used in a manner that would be ground engaging or for pushing anything other than loose material (i.e. silage, compost, snow). You or a NEW HOLLAND authorized dealer must install attachments in a way that does not impair the safe operation of the tractor. The tractor warranty will not cover any tractor damage that results from the installation and/or use of such equipment.

Consult an authorized NEW HOLLAND dealer or CNH Industrial America LLC on changes, additions, or modifica-

Your dealer will instruct you in the general operation of your new equipment. Your dealer's staff of factory-trained service technicians will be glad to answer any questions that may arise regarding the operation of your machine. New Holland Top Service is also available. Go to www.newholland.com.

ATTENTION: *The engine and fuel system on your machine is designed and built to government emissions standards. Tampering by dealers, customers, operators and users is strictly prohibited by law. Failure to comply could result in government fines, rework charges, invalid warranty, legal action and possible confiscation of the machine until rework to original condition is complete. Engine service and/or repairs must be done by a certified technician only!*

tions that this tractor may require to comply with various regulations and safety requirements. Unauthorized modifications will cause serious injury or death. Anyone who makes such unauthorized modifications is responsible for the consequences.

Only use this tractor in the manner described in the provided manuals, decals, and other product safety materials. These materials define the intended use of the tractor. NEW HOLLAND considers use in any other way as contrary to the intended use. NEW HOLLAND accepts no liability for any damage or injury that results from this misuse. The user must solely bear these risks.

All persons who will operate this tractor shall possess a valid local vehicle-operating permit and/or other applicable local age work permits.

All persons who operate, service, and repair this tractor must be familiar with all its particular characteristics, and understand the relevant safety rules.

Any arbitrary modifications carried out on the tractor will relieve NEW HOLLAND of all liability for any resulting damage or injury.

CNH Industrial America LLC technical manuals

Manuals are available from your dealer for your machine. Your dealer can expedite your order for operator manuals and parts catalogs.

Always give the machine name, model and Product Identification Number (PIN) of your machine so your dealer can provide the correct manuals for your machine.

The company is continually striving to improve its products and therefore reserves the right to make improvements and changes when it becomes practical and possible to do so, without incurring any obligation to make changes or additions to the equipment sold previously.

Manual scope and required training level

This manual provides information on the intended use of your tractor under the conditions foreseen by the manufacturer during normal operation, routine service and maintenance and periodic service and maintenance.

Normal operation is use of the tractor for the purpose intended by the manufacturer by an owner/operator who is familiar with the tractor and the mounted or towed equipment, and who is complying with the information on operation and safe practices, provided in this manual and by the decals on the tractor and the equipment.

Normal operation includes such actions as preparing the tractor for storage and removing the tractor from storage, adding or removing ballast, connecting and disconnecting mounted or towed equipment, raising and lowering components into or out of work position, adjusting tractor settings for specific field or crop settings, etc.

Routine service and maintenance are those actions which must be performed daily to maintain proper tractor function by an owner/operator who is familiar with tractor characteristics, and who is complying with the information on routine service and safe practices in this manual and in the decals on the tractor.

Routine service and maintenance includes such actions as fueling, cleaning, washing, topping off fluid levels, greasing, and replacing consumable articles such as lamp bulbs.

Periodic service and maintenance are those actions which must be performed at regularly defined intervals

All data given in this manual is subject to production variations.

NOTICE: *Operating and service messages displayed on the electronic operating panel may vary from what is shown in the manual. If this occurs, heed the latest instructions on the electronic operating panel.*

Dimensions and weights are approximate only and the illustrations do not necessarily show the machine in standard condition. For exact information about any particular machine, please consult your dealer.

to maintain proper tractor function by an owner/operator who is familiar with tractor characteristics, and who is complying with the information on periodic service and safe practices in this manual and in the decals on the tractor.

Periodic service and maintenance includes such actions as checking, cleaning and changing air filters, changing engine oil and filters, changing transmission oil and filters, changing front axle and wheel hub fluids, changing coolant, etc.

Some actions in the periodic service and maintenance chart are beyond the knowledge and skills of the owner/operator: for example, engine valve adjustment, fuel injector nozzles. For these actions, the manual instructs the owner/operator to have the action performed by their authorized dealer.

This manual does not contain all the information related to periodical service and maintenance, converting and repairs to be carried out by professional service personnel. These actions require special facilities, technical skills, and/or tools which are not supplied with the machine.

Converting is changing the tractor configuration for a specific crop or soil condition and requires rebuilding or adding components to the vehicle: for example, installation of dual wheels. Repairing is the disassembly and assembly of the tractor to restore proper operation after a component failure or degradation of performance.

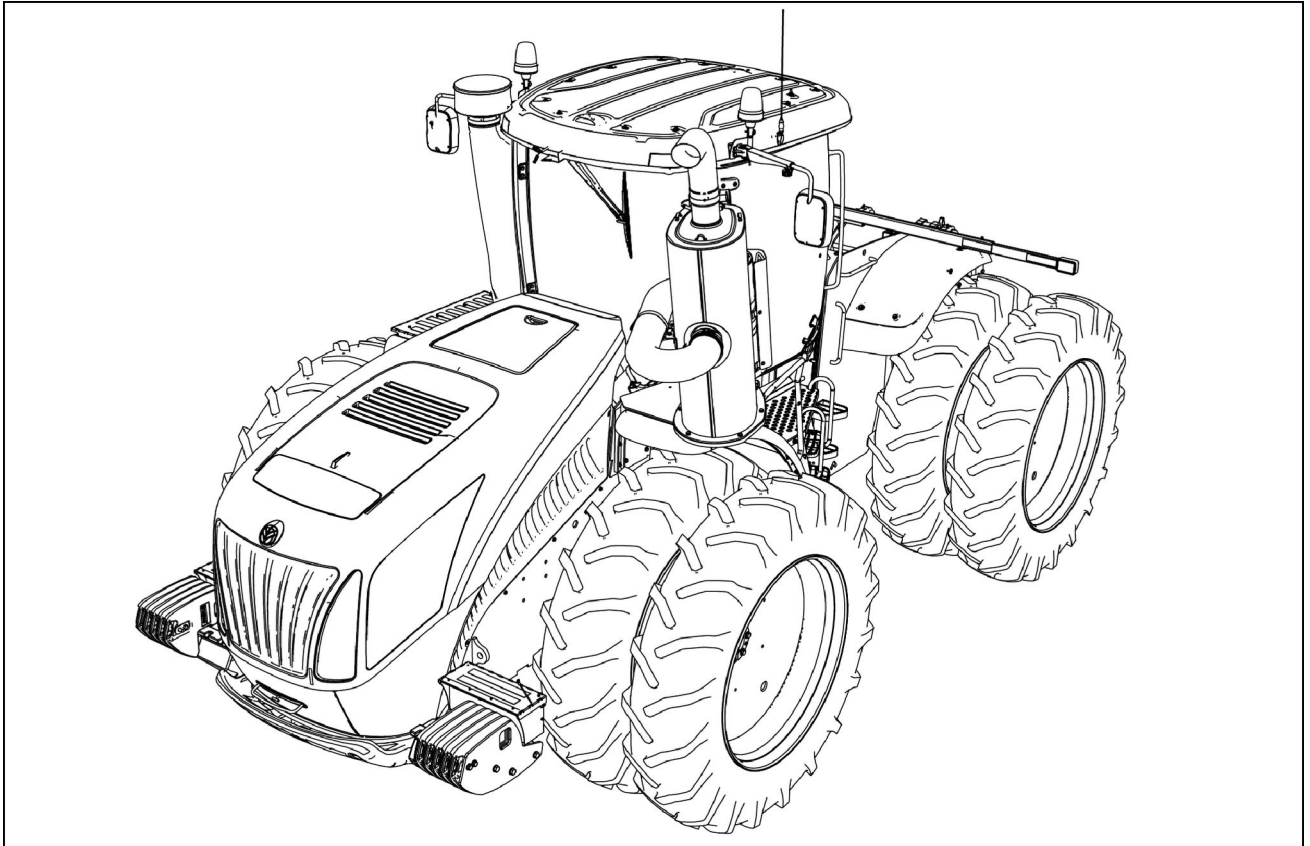
Your tractor

This manual covers the T9.435, T9.480, T9.530, T9.530 **SmartTrax™**, T9.565, T9.565 **SmartTrax™**, T9.600, T9.600 **SmartTrax™**, T9.645, T9.645 **SmartTrax™**, T9.700 and T9.700 **SmartTrax™** models.

References are made within this manual of “row crop models” and “high power models”.

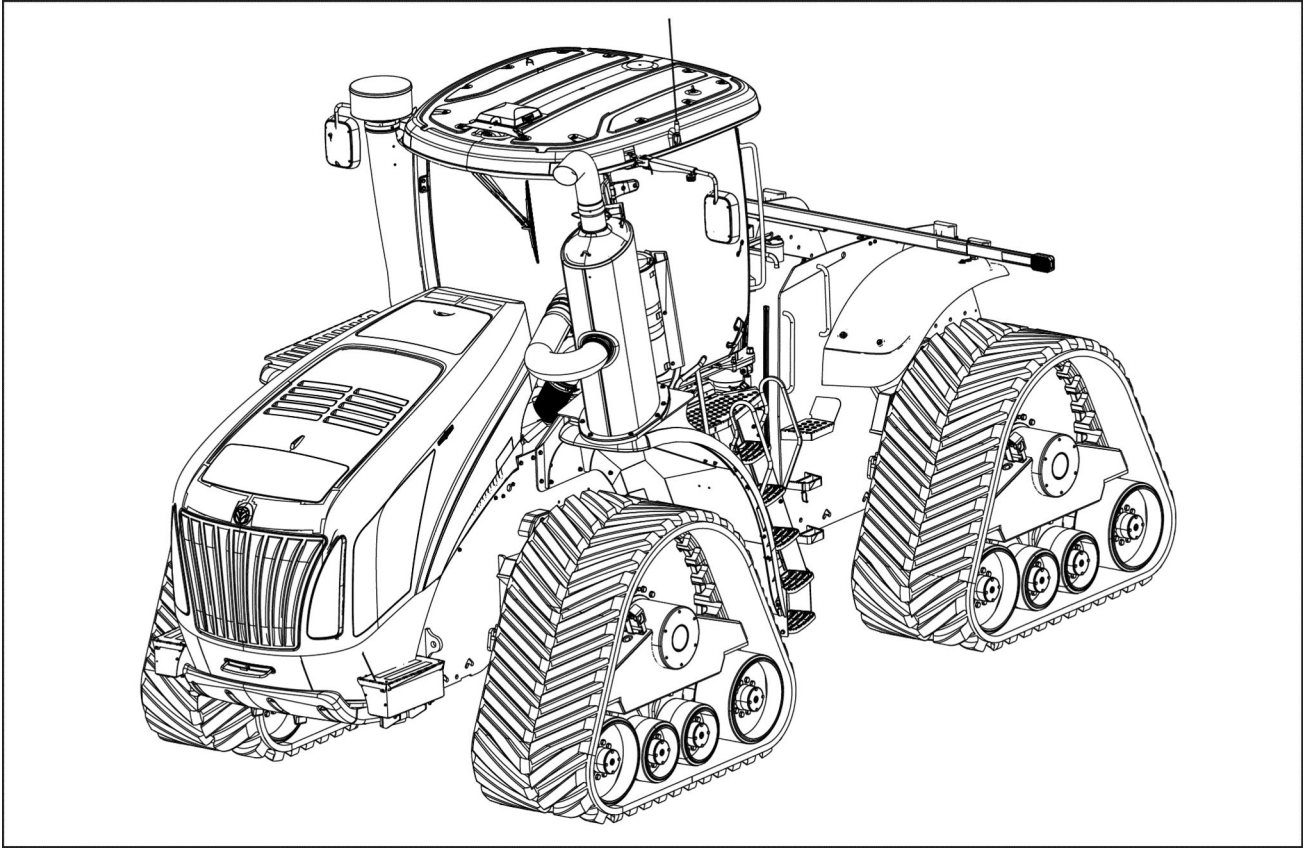
Row crop models include T9.435, T9.480, T9.530, and T9.565 models.

High power models include T9.600, T9.645, and T9.700 and all **SmartTrax™** models.



RAIL18TR00672FA 1

T9. models



RAIL18TR00682FA 2

SmartTrax™ models

Electro-Magnetic Compatibility (EMC)

Interference may arise as a result of add-on equipment that may not necessarily meet the required standards. As such interference can result in serious malfunction of the unit and/or create unsafe situations, you must observe the following:

- The maximum power of emission equipment (radio, telephones, etc.) must not exceed the limits imposed by the national authorities of the country where you use the machine
- The electro-magnetic field generated by the add-on system should not exceed **24 V/m** at any time and at any location in the proximity of electronic components
- The add-on equipment must not interfere with the functioning of the on board electronics

Failure to comply with these rules will render the NEW HOLLAND warranty null and void.

Thank you so much for reading.
Please click the “Buy Now!”
button below to download the
complete manual.



After you pay.

You can download the most
perfect and complete manual in
the world immediately.

Our support email:

ebooklibonline@outlook.com