

OPERATOR'S MANUAL

T8.295

T8.325

T8.355

T8.385

Tractor

Part number 51476244

1st edition English

March 2019

Replaces part number 48174108



Contents

1 GENERAL INFORMATION

NOTE TO THE OWNER.....	1-1
Product identification	1-3
Engine identification	1-4
Transmission identification	1-4
Front axle identification.....	1-4
Universal symbols	1-6

2 SAFETY INFORMATION

Safety rules.....	2-1
Roll Over Protection Structure (ROPS)	2-2
Emergency hammer.....	2-3
Safety Decals.....	2-4
Wheel chocks.....	2-10
Noise levels.....	2-11
Before operating the machine	2-12
Driving the vehicle	2-12
Operating the machine	2-13
Power Take-Off (PTO) operation	2-15
Servicing safety precautions	2-15
Operating the external controls.....	2-17
Fire or explosion prevention	2-17
Diesel fuel	2-18
Personal safety offered by the machine	2-19
Intended use statement	2-22
Ecology and the environment	2-23

3 CONTROLS AND INSTRUMENTS

ACCESS TO OPERATOR'S PLATFORM

Tractor access.....	3-1
---------------------	-----

OPERATOR'S SEAT

Overview	3-2
Seat belts.....	3-2
Control identification.....	3-4

INSTRUCTOR'S SEAT

Instructor's seat (when fitted)	3-7
---------------------------------------	-----

FORWARD CONTROLS

Steering column	3-8
Front console	3-11
Pedal controls	3-13

RIGHT-HAND SIDE CONTROLS

Armrest console	3-15
Multi-function handle	3-16
Hand throttle	3-19
Control panel	3-20
Remote valve controls	3-25
Rear hitch controls	3-26
Armrest compartment	3-28
Adjusting the armrest console	3-30

REARWARD CONTROLS

Automatic temperature controls	3-31
Automatic temperature control system	3-34
Ventilation	3-35

OVERHEAD CONTROLS

Interior lamps	3-37
----------------------	------

EXTERIOR CONTROLS

Rear remote hitch switch – When available	3-37
---	------

INSTRUMENT CLUSTER

Overview	3-38
Gauges	3-38
Status and warning icons	3-39
Upper display	3-42
Lower display	3-44
Keypad	3-45
Setup menu	3-47
Rear tire radius chart	3-53
Adjust menu	3-54
Performance instrumentation	3-61

4 OPERATING INSTRUCTIONS

COMMISSIONING THE UNIT

Before starting the engine	4-1
----------------------------------	-----

STARTING THE UNIT

Normal engine starting	4-4
Cold temperature operation	4-6

STOPPING THE UNIT

Stopping the engine	4-8
---------------------------	-----

MOVING THE UNIT

Powershift transmission - Safety rules	4-10
Powershift transmission - Operating	4-11

Throttle control - Operating	4-12
Powershift transmission external controls - Control identification	4-13
Instrument cluster - Localization overview	4-16
Driving the vehicle	4-17
Start off gear – Standard (SOG)	4-22
Operating speeds	4-25
Ground speed management (GSM)	4-31
Auxiliary Front Wheel Drive	4-36
Differential lock system	4-40
Ride control	4-43
Constant engine speed	4-45
Headland management system	4-47

5 TRANSPORT OPERATIONS

PREPARING FOR ROAD TRANSPORT

Safe transport speed	5-1
Safety chain	5-1

SHIPPING TRANSPORT

Securing the tractor for shipping	5-2
---	-----

RECOVERY TRANSPORT

Safety rules	5-4
Towing the tractor	5-5

6 WORKING OPERATIONS

GENERAL INFORMATION

Implement connections	6-1
-----------------------------	-----

Two-speed rear Power Take-Off (PTO)

Safety rules	6-2
Connecting the PTO	6-5
Rear PTO operation	6-6
Auto PTO operation	6-10

REAR HITCH

Identification	6-13
Link adjustment	6-13
Hitch high clearance adjustment	6-17
Sway limiter adjustment	6-19
Lower link block adjustment	6-20
Mechanical float adjustment	6-21
Hitch quick coupler - Category III/IIIN	6-22
Hitch quick coupler - Category IVN	6-26
Hitch operation	6-30
Hitch remote switch operation	6-35

Position control operation	6-36
Load control operation	6-38
Operation – Slip control	6-39
Hitch set point	6-40

DRAWBARS AND TOWING ATTACHMENTS

Drawbars and towing hitches - Safety rules	6-42
Drawbar capacity/position	6-43
Adjusting the drawbar	6-45

AUXILIARY POWER CONNECTIONS

Auxiliary power and lighting	6-47
Cab power connections	6-47

HYDRAULIC REMOTE CONTROL VALVES

Valve couplers and connections	6-49
Motor return circuit	6-52
Power beyond hydraulic valve (when fitted)	6-53
Hydraulic transport lock	6-54
Operating the controls	6-55
Remote valve display screens	6-59
Remote hydraulic auto mode	6-62
Auto depth control	6-64
Joystick operation	6-66

Tractor ballasting

Tire care – Wheels	6-69
Tires – Calibration and assembly safety	6-72
Tires – Parts of the tire	6-73
Tire types – For the application	6-73
Tires – General features	6-74
Tires Compatibility table	6-77
Assembly – Tires	6-80
Tires – Recommendations for calibration	6-82
Tires - Calibration	6-84
Tire pressures and permissible loads	6-85
Tires – Compatibility of front x rear tires	6-88
Tires – Skidding rate	6-90
Liquid ballast	6-94
Liquid ballast – Capacity table	6-97
Front ballast – Solid	6-110
Rear ballast – Solid	6-112
Wheels rims - Adjustments	6-117

MECHANICAL FRONT DRIVE (MFD) AXLES

Steering and oscillation stops	6-118
Wheels – Mounting depth	6-120

Front wheel track adjustment.....	6-121
Installation – Front wheels with dual wheelset	6-128
Front wheels-toe-in-adjust.....	6-130
Dynamic front fenders	6-131

REAR AXLE

Rear wheel installation	6-134
Rear wheel tread settings	6-137
Rear wheel track adjustment	6-138
Row spacing – Adjust	6-142
Dual rear wheels – Row spacing	6-143

7 MAINTENANCE

GENERAL INFORMATION

Introduction	7-1
Fuel handling precautions	7-2
Diesel fuel	7-4
Specifications - Biodiesel fuel	7-5
Organic Acid Technology (OAT) coolant.....	7-7
Opening the hood	7-8
Closing the hood	7-9
Tractor jacking points.....	7-10
Fueling the machine	7-12

MAINTENANCE CHART

Maintenance chart.....	7-13
------------------------	------

At warning message display

Engine air filter - Outer element	7-15
Drain the fuel system water separator.....	7-18
Transmission oil filter sensor	7-19
Engine crankcase breather filter.....	7-22

First 10 hours

Wheel nuts tightening torque	7-23
------------------------------------	------

First 50 hours

First 50 Hour Service	7-23
-----------------------------	------

First 300 hours

Accumulators	7-24
Engine oil and filter	7-25

First 600 hours

Accumulators	7-25
--------------------	------

Every 10 hours or daily

Engine oil level	7-26
Transmission oil level.....	7-27
Engine coolant level	7-28
Windshield wiper fluid reservoir	7-28
Pneumatic brake reservoir	7-28
Wheels - Check.....	7-29

Every 50 hours or weekly

Cab air filters	7-30
Cab recirculation air filter	7-32
Lubrication points.....	7-32
Pre-fuel filter	7-38
Cleaning the radiators	7-39

Every 300 hours

Engine oil and filter	7-41
Replace fuel pre-filter.....	7-43
Primary fuel filter	7-46
Cab air filters activated charcoal	7-49
Engine air intake hoses.....	7-50
Check the coolant level.....	7-51
Weight bolt torque	7-51
Front axle hub oil (4WD) - oil level 5.0 axle	7-52
Front axle hub oil (4WD) - oil level 4.75 axle	7-52
Front axle (4WD) oil level.....	7-52
Transmission oil pressure	7-53
Grease Power Take-Off (PTO) shaft	7-53

Every 600 hours

Engine oil and filter	7-54
Engine coolant hoses and clamps.....	7-56
Fuel injection system	7-59
Front axle hub oil - Change fluid Class 4.75 axle	7-59
Front axle hub oil - Change fluid Class 5.0 axle	7-60
Wheel nuts tightening torque	7-60
Fan belt.....	7-61

Every 1200 hours or annually

Engine air filter - Outer element	7-62
Engine air filter - Inner element.....	7-62
Engine air pre filter	7-64
Front axle differential oil	7-66
Drive shaft – Lubricate the drive shaft	7-68
Pneumatic brake system dryer	7-68
Engine valves adjust	7-69
Accumulators	7-69

Cab air filter	7-70
Cab recirculation air filter	7-71

Every 1500 hours

Transmission oil	7-72
Strainers – Transmission oil	7-72
Engine crankcase breather filter.....	7-74

Every 3000 hours

Fuel injectors	7-77
Shock absorber – Engine vibration	7-77

Every 4000 hours or every 4 years

Engine coolant replacement.....	7-77
---------------------------------	------

As required

Fan belt	7-79
Fuses and Relays	7-82
Vehicle fire prevention	7-88
Cab suspension, if equipped	7-88
Remote valve collection bottle.....	7-89
Cab fabric and carpet.....	7-89
Seat belt	7-90
Fuel tank - Drain fluid.....	7-90

STORAGE

Storing the machine	7-91
Preparation for use after storage	7-92

ELECTRICAL SYSTEM

Battery removal and installation	7-93
Auxiliary battery connections	7-95
Headlight - Replace	7-96
Work light.....	7-99
Fender tail light and warning light	7-101
Roof warning light	7-103
Roof work light.....	7-104
Belt line, roof or fender work light	7-107
High intensity work light	7-108
Cab interior light - Replace	7-110

8 TROUBLESHOOTING

ALARM(S)

Display warnings overview	8-1
Display warnings - Level 1	8-2
Display warnings - Level 2	8-3
Display warnings - Level 3	8-6

Display warnings - Level 4	8-6
----------------------------------	-----

SYMPTOM(S)

Engine symptoms	8-8
Transmission symptoms.....	8-9
Hydraulic symptoms	8-10
Hitch symptoms	8-10
Brake symptoms.....	8-10
Cab environment symptoms.....	8-11
Electrical power system symptoms.....	8-11

9 SPECIFICATIONS

Fluids and lubricants	9-1
Engine specifications	9-3
Power train specifications	9-4
Remote control valve specifications	9-4
Brake specifications	9-5
Power Take-Off (PTO) specifications.....	9-5
Specifications – Front axles	9-5
Specifications steering	9-5
Specifications Rear hitch system	9-5
Electrical system specifications	9-6
Vehicle dimensions and shipping weight	9-7
Weight distribution.....	9-8
Ballasting solid	9-8
Maximum operating weight.....	9-10

10 ACCESSORIES

Farming system displays	10-1
Loader connection and operation	10-2
Trailer brake connections.....	10-3
General accessories.....	10-4

1 - GENERAL INFORMATION

NOTE TO THE OWNER

GENERAL INFORMATION

This Manual has been prepared to assist you in the correct procedure for running-in, driving and operating and for the maintenance of your new machine. Read this manual carefully. Your machine is designed to be used in normal and customary agricultural applications.

If you require technical support for your machine at any time, do not hesitate in contacting your NEW HOLLAND dealer. They have company trained personnel, genuine parts and the necessary equipment to carry out all your service requirements.

The specification are provided for your information and guidance. For further information concerning your tractor and equipment, consult your NEW HOLLAND dealer.

All data given in this book is subject to production variations. Dimensions and weights are approximate. The illustrations do not necessarily show tractors in standard condition or imply that these features are available in all countries. For exact information about any particular tractor, please consult your NEW HOLLAND dealer.

Your tractor has been designed and built to give maximum performance, economy and ease of operation under a wide variety of operating conditions. Prior to delivery, the tractor was carefully inspected, both at the factory and by your NEW HOLLAND dealer to ensure that it reaches you in optimum condition. To maintain this condition and ensure trouble-free operation, it is important that the routine services, as specified on page 7-13 of this Manual, are carried out at the recommended intervals.

OPERATORS MANUAL STORAGE

The Operator's Manual supplied with your tractor is an important source of information and should be stored safely.

The manual is written specifically for your tractor so it is important that you make a note of the print number and issue date which can be found on the cover. In the event the manual is lost or damaged it can be replaced with the correct version.

A storage pocket for the Operator's Manual can be found on the rear of the seat. The manual should be kept in this pocket at all times when not in use.

ABOUT THIS MANUAL

This manual gives information for use of your machine, as intended and under the conditions foreseen by the manufacturer during normal operation and routine service and maintenance.

Read and understand; keep it in good condition and always safely store it in the provided pocket in the back of your seat for later easy use.

This manual does not contain all the information related to periodical service, converting and repairs to be carried out by NEW HOLLAND professional service personnel.

The Table of Contents page(s) are provided to have an overview of main manual's topics. A detailed alphabetic index is available at the end of this manual for locating specific items.

Normal operation

- Normal operation means the use of the tractor for the purpose intended by the manufacturer by an operator familiar with the tractor and the mounted or towed equipment and complying with the information for operation and safe practices, as specified by the manufacturer in this manual and by the decals on the tractor and the equipment.
- Normal operation includes the preparation and storage of the tractor, swinging components into work position and vice versa, adding or removing ballast and picking up and setting off attachments.
- Normal operation includes the adjustment and setting of the tractor and equipment, for the specific condition of the field and/ or the crop.

Routine service

- Routine service and maintenance means activities that must be done daily by an operator familiar with the tractor characteristics and complying with the information for routine service and safe practices, as specified by the manufacturer in this manual and by decals on the tractor, in order to maintain its proper function. Routine service includes activities such as fuelling, cleaning, washing, topping up fluid levels, greasing, and replacing consumable articles such as lamp bulbs.

Converting, periodical service and repair

- Periodical service means activities that must be done at defined intervals by trained personnel familiar with the tractor characteristics and which are complying with the information for periodical service and safe practices, as partly specified by the manufacturer in this manual and in other Company literature, in order to maintain the expected life time of the tractor.
- Converting means activities that must be done by professional service personnel familiar with the tractor characteristics and complying with the information for converting, as partly specified by the manufacturer in

this manual, in assembly instructions or in other Company literature, in order to fit the tractor to a specific configuration.

- Repair means activities that must be done by professional service personnel only who are familiar with the tractor characteristics and complying with the information for repair, as specified by the manufacturer in the NEW HOLLAND dealer's Service Manual, in order to restore the proper function of the tractor after a failure or reduction in performance.

CLEANING THE TRACTOR

Your tractor is a state-of-the-art machine with sophisticated, electronic controls. This should be taken into consideration when cleaning the tractor, particularly if using a high pressure washer. Even though every precaution has been taken to preserve electronic components and connections, the pressure generated by some of these machines is such that complete protection against water ingress cannot be guaranteed.

When using a high pressure washer, do not stand too close to the tractor and avoid directing the jet at electronic components, electrical connections, breathers, seals, filler caps, etc. Never direct a cold water jet at a hot engine or exhaust.

Failure to comply with these rules will render the warranty null and void.

Security

The pages in Section 2 list the precautions to be observed to ensure your safety and the safety of others. Read the safety precautions and follow the advice offered before operating the tractor.

SERVICE PARTS

It should be pointed out that genuine parts have been examined and approved by the Company. The installation and/or usage of 'non-genuine' products could have nega-

tive effects upon the design characteristics of your tractor and thereby affect its safety. The Company is not liable for any damage caused by the use of 'non-genuine' parts and accessories. Only genuine replacement parts should be used. The use of non-genuine parts may invalidate legal approvals associated with this product.

It is prohibited to carry out any modifications to the tractor unless specifically authorised, in writing, by the After Sales Service department of the Company.

WARRANTY

Your tractor is warranted according to legal rights in your country and the contractual agreement with the selling dealer. No warranty shall, however, apply if the tractor has not been used, adjusted and maintained according to the instructions given in the Operator's Manual.

Check the mandatory services for your machine in the Warranty Booklet. The Warranty Booklet is issued with the machine.

USE OF BIODIESEL FUELS

NOTICE: Before using Biodiesel fuels in your tractor, refer to the information on page 7-5 regarding the storage and use of Bio diesel fuels.

TAMPERING WITH THE ENGINE OR FUEL SYSTEM

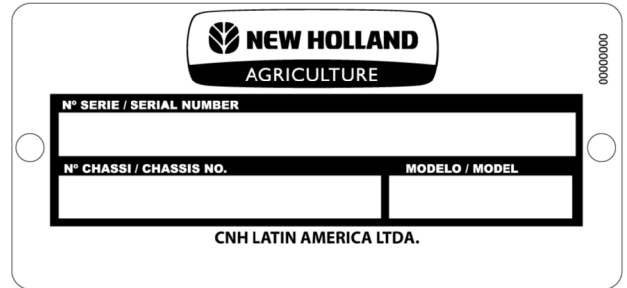
ATTENTION: Your machine's engine and the fuel system were designed and configured to meet the emissions standards required by the laws in your country or region. Dealers, customers, operators, and users are strictly prohibited from tampering with the machine's factory settings. Failure to comply with this rule invalidates the machine's warranty and could result in government fines, legal action, and possible confiscation of the machine until rework to original condition is completed. Engine maintenance and repairs must be done by an authorized technician only.

Product identification

Your machine and its main components are identified by codes. These codes facilitate identification of your machine. You must give them to your NEW HOLLAND dealer when requesting replacement parts or servicing. The following information indicates where the identification codes are stamped.

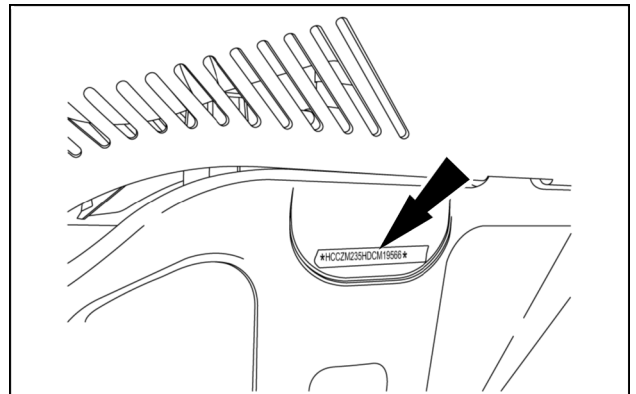
Machine identification plate

The plate with the Product Identification Number (PIN) is located on the right-hand front casting.



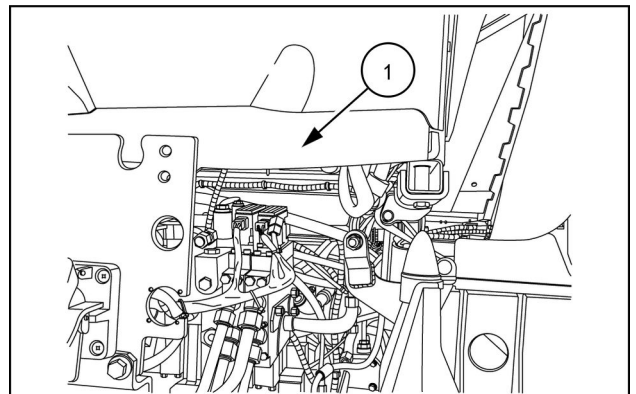
CUIL15TR00484AA 1

Identification plate on the right-hand front casting.



CUIL13TR01327AA 2

A plate is affixed behind the rubber guard **(1)** at the rear of the machine. This plate provides information about the Rollover Protective Structure (ROPS) and the maximum permissible weight of the machine.

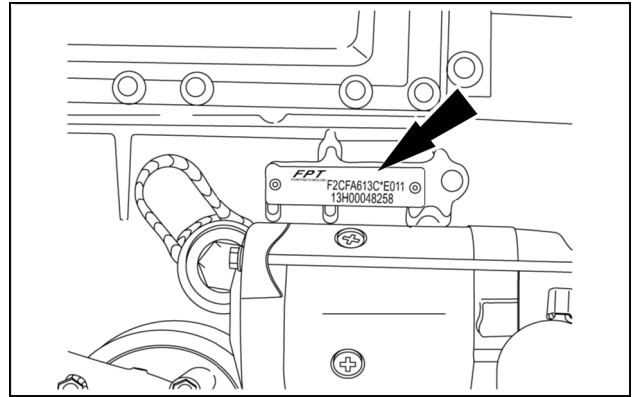


CUIL18TR00135AA 3

Engine identification

The engine identification number is stamped on the left-hand side of the engine block above the oil cooler. Record the number below.

Engine identification number _____

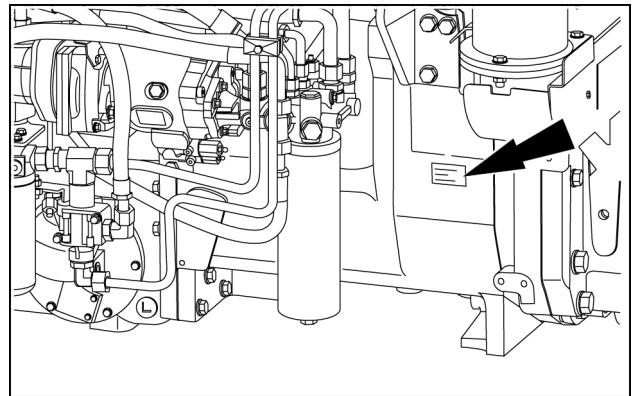


CUIL13TR01332AA 1

Transmission identification

The transmission identification number plate is located on the right-hand side of the transmission housing, behind the fuel tank and to the right-hand side of the main hydraulic filter.

Transmission identification number. _____

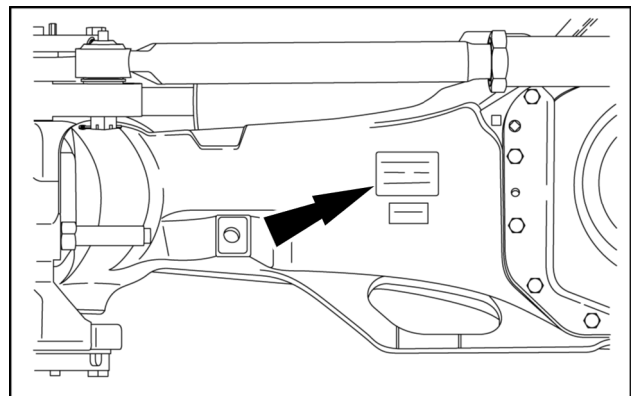


CUIL16TR00982AA 1

Front axle identification

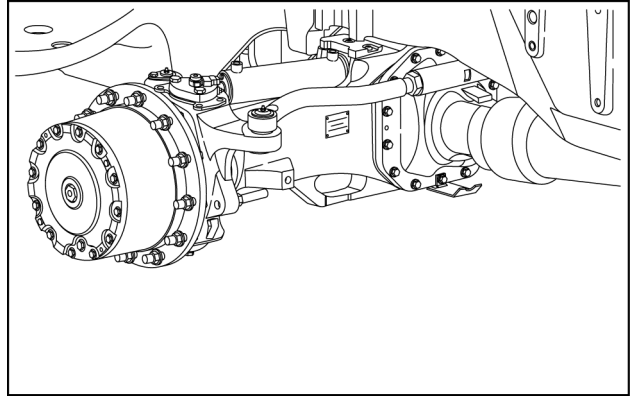
The identification number plate of the front axle is located on the left-hand side of the axle housing.

Axle identification number _____



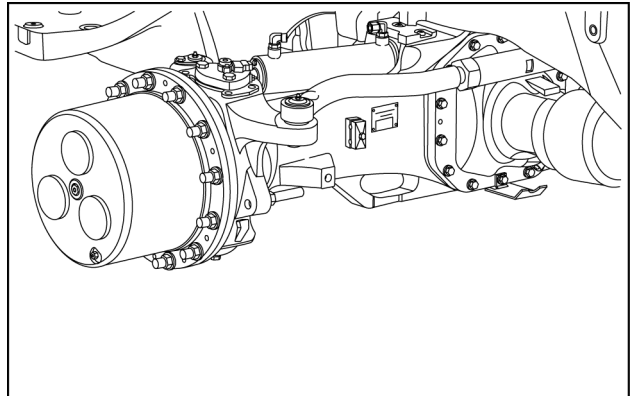
CUIL16TR00094AA 1

NEW HOLLAND Class 4.75 front axle



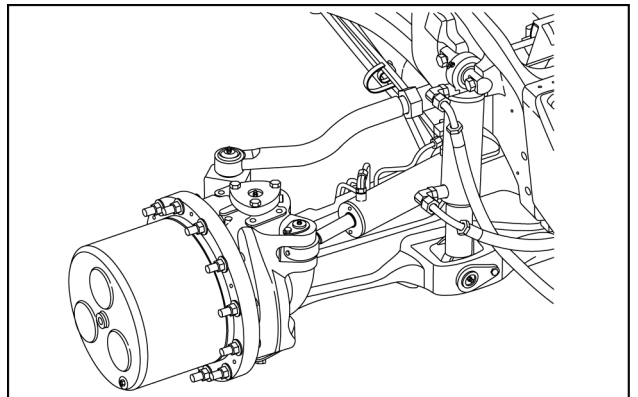
CUIL16TR00999AA 2

NEW HOLLAND Class 5.0 front axle



CUIL16TR01000AA 3

NEW HOLLAND suspended front axle



CUIL16TR01006AA 4

Thank you so much for reading.
Please click the “Buy Now!”
button below to download the
complete manual.



After you pay.

You can download the most
perfect and complete manual in
the world immediately.

Our support email:

ebooklibonline@outlook.com