

ORIGINAL INSTRUCTIONS

FARMALL® I 10A
FARMALL® I 20A
FARMALL® I 30A
FARMALL® I 40A
Tier 4B (final)
Tractor

OPERATOR'S MANUAL

Part number 51490496

3rd edition English

August 2018

Replaces part number 48047746



Contents

1 GENERAL INFORMATION

Note to the owner.....	1-1
Intended use.....	1-2
Electro-Magnetic Compatibility (EMC)	1-3
Product identification	1-4
Product Identification Number (PIN).....	1-8
Operator's manual storage on the machine	1-9
Machine orientation.....	1-10
Machine components.....	1-12
Selective Catalytic Reduction (SCR) exhaust treatment - Product overview	1-14

2 SAFETY INFORMATION

Safety rules and signal word definitions	2-1
Safety rules.....	2-2
Ecology and the environment	2-12
Safety signs	2-13
Informational decals	2-36

3 CONTROLS AND INSTRUMENTS

Access to operator's platform

Proper entry and exit	3-1
-----------------------------	-----

Operator's seat

Mechanical operator's seat.....	3-3
Pneumatic operator's seat.....	3-4
Seat belt operation	3-6

Instructional seat

Overview	3-7
----------------	-----

Forward controls

Front console	3-8
Foot pedals	3-10
Selective Catalytic Reduction (SCR) exhaust treatment - Overview	3-11

Left-hand side controls

Power Take-Off (PTO) (without cab)	3-20
Parking brake.....	3-20
Door and window operation	3-21
Storage	3-21

Right-hand side controls

Transmission controls	3-22
Hi / Lo Transmission	3-23
Power Take-Off (PTO) (with cab)	3-23
Hydraulic controls	3-24
Right-hand post	3-26
Heating, Ventilation, and Air Conditioning (HVAC) controls	3-27
Door and window operation	3-29

Rearward controls

Rear window operation	3-30
Rear window wiper	3-30

Overhead controls

Radio	3-31
Radio operation	3-31
Dome light	3-39
Roof hatch	3-39

Display

Analog/Digital Instrument Cluster (ADIC)	3-40
Warning and status indicators	3-41
Display overview	3-43
Alarms	3-43
Setup menu	3-52
Overview	3-52
Maintenance intervals	3-53
Audible alarm buzzer	3-54
Fuel consumption units	3-55
Active error codes and warnings	3-56
Backlighting and dimming	3-57
Lamps and gauges	3-57
Display	3-58

4 OPERATING INSTRUCTIONS

Commissioning the unit

Run-in period of a new machine	4-1
Roll Over Protective Structure (ROPS)	4-2

Starting the unit

Starting the engine	4-4
Engine starting aids	4-7

Stopping the unit

Stopping the tractor	4-9
----------------------------	-----

Hydraulic trailer brakes	4-11
--------------------------------	------

Moving the unit

General transmission operation	4-12
Steering control.....	4-13

5 TRANSPORT OPERATIONS

Road transport

Basic instructions	5-1
High visibility position markers	5-2

Recovery transport

Towing the tractor.....	5-7
-------------------------	-----

6 WORKING OPERATIONS

Tires and wheels

Tire load and inflation charts	6-1
Tractor ballasting	6-7
Liquid ballast	6-9
Front wheel tread settings	6-11
Rear wheel tread settings	6-15
Bar axle adjustment	6-17
Dual rear wheels	6-22

Driveline

Creeper gears	6-24
Four-Wheel Drive (4WD)	6-27
Differential lock	6-28
Front axle oscillation.....	6-29

Hydraulic system

Hydraulic Power Lift (HPL)	6-31
Bosch remote valves	6-34
Hydraulic remote control valves	6-34
Connecting remote cylinders	6-37
Bleeding remote cylinders	6-39
Operating single-acting hydraulic cylinders	6-40
Operating double-acting hydraulic cylinders	6-41
Operating continuous flow hydraulic equipment.....	6-42
Sohipren remote valves	6-44
Hydraulic remote control valves	6-44
Connecting remote cylinders	6-46
Operating single-acting hydraulic cylinders	6-48
Operating double-acting hydraulic cylinders	6-49

Implements

Adjusting the drawbar	6-50
Hitch operation	6-53
Power Take-Off (PTO) operation	6-58

7 MAINTENANCE

General information

Safety rules – Machine service access	7-1
Warranty notice	7-1
Jacking points	7-1
Opening the hood	7-2
Fueling the machine	7-3
Selective Catalytic Reduction (SCR) exhaust treatment - Basic instructions	7-4
General specification - Biodiesel fuels	7-5
General specification - Diesel fuel	7-7
Torque - Minimum tightening torques for normal assembly	7-8
Standard torque data for hydraulics	7-13
Organic Acid Technology (OAT) coolant.....	7-17
Fluid capacities and lubricants	7-18
Engine oil - Recommended engine oil for operating temperature ranges	7-20

Maintenance planning

Maintenance chart.....	7-21
------------------------	------

Warning light on

Engine air filter (outer element) - Clean	7-23
Fuel filter water separator - Drain fluid	7-25
Brake fluid - Level make up	7-26

Every 10 hours or daily

Engine oil - Level make up	7-27
Radiator, oil cooler, and condenser - Clean	7-28
Engine cooling system - Level make up.....	7-31

Every 50 hours

Tire pressure - Check.....	7-32
Transmission, rear axle, and hydraulic system oil - Level make up	7-32
Brake fluid - Level make up	7-33
Windshield washer fluid - Level make up.....	7-33
Fuel filter water separator - Drain fluid	7-33
Cab recirculation air filter - Clean.....	7-34
Cab air filter - Clean	7-36
Wheel hardware - Check	7-37
Grease points - Grease.....	7-38
Clutch pedal - Adjust	7-40

Every 300 hours

Four-Wheel Drive (4WD) front axle differential oil - Level make up	7-42
Four-Wheel Drive (4WD) front axle hub oil - Level make up	7-42
Transmission and hydraulic oil filter - Replace	7-42
Cab and safety frame mounting hardware torque - Check	7-43
Parking brake - Adjust	7-44
Brake pedal - Adjust	7-46
Alternator drive belt - Check	7-46
Air conditioning compressor belt - Check	7-47
Battery cables - Check	7-47

Every 600 hours

Diesel Exhaust Fluid (DEF)/AdBlue® supply module pre-filter - Clean	7-48
Engine oil - Change fluid	7-52
Engine air filter (outer element) - Replace	7-54
Fuel filter water separator - Replace	7-54

Every 1200 hours or annually

Diesel Exhaust Fluid (DEF)/AdBlue® supply module pre-filter - Replace	7-55
Transmission, rear axle, and hydraulic system oil - Change fluid	7-59
Four-Wheel Drive (4WD) front axle differential oil - Change fluid	7-60
Four-Wheel Drive (4WD) front axle hub oil - Change fluid	7-60

Every 3600 hours or two years

Diesel Exhaust Fluid (DEF)/AdBlue® supply module main filter - Replace	7-61
--	------

Every 4000 hours or four years

Engine coolant - Change fluid	7-65
-------------------------------------	------

As required

Diesel Exhaust Fluid (DEF)/AdBlue® supply module inlet filter - Replace	7-68
Diesel Exhaust Fluid (DEF)/AdBlue® tank inlet filter - Replace	7-69
Diesel Exhaust Fluid (DEF)/AdBlue® supply module backflow filter - Replace	7-70
Headlights - Adjust	7-71
Headlight bulb - Replace	7-71
Work light bulb - Replace	7-71
Rear light bulb - Replace	7-73
Steering stops - Adjust	7-74
Steering toe-in - Adjust	7-74
Roof hatch - Cleaning	7-77
Parking brake - Adjust	7-78

Fuse and relay locations

Chassis fuse box	7-81
Engine fuse box	7-86

Other fuses and relays	7-87
------------------------------	------

Storage

Preparing for storage	7-88
Removing from storage.....	7-88

8 TROUBLESHOOTING

Symptom(s)

Engine	8-1
Transmission	8-2
Electrical system	8-2
Hydraulic system	8-3
Hydraulic remote control valves	8-3
Three-point hitch	8-4
Brakes	8-4
Cab	8-4

9 SPECIFICATIONS

Length and height	9-1
Width	9-2
Ground clearance	9-3
Weight	9-4
Engine	9-7
Cooling system	9-7
Transmission	9-8
Ground speeds	9-9
Maximum side slope operation	9-18
Power Take-Off (PTO).....	9-18
Hydraulic system	9-20
Three-point linkage	9-20
Brake system	9-20
Steering system	9-21
Electrical system	9-22
Lubrication system - Capacities	9-23

10 ACCESSORIES

Engine	10-1
Chassis	10-2
Cab	10-4
Roll Over Protective Structure (ROPS)	10-6
Safety	10-7
Hydraulics	10-8
Hitch	10-10

11 FORMS AND DECLARATIONS

Delivery report - Owner copy	11-1
Delivery report - Dealer copy	11-2

1 - GENERAL INFORMATION

Note to the owner

This manual contains information concerning the adjustment and maintenance of your new equipment. You have purchased a dependable machine, but only by proper care and operation can you expect to receive the performance and long service built into this equipment. Please have all operators read this manual carefully and keep it available for ready reference.

Your CASE IH dealer will instruct you in the general operation of your new equipment; see “Delivery report - Owner copy” (11-1). Your dealer's staff of factory-trained service technicians will be glad to answer any questions that may arise regarding the operation of your machine. Case IH Max Service is also available. Go to www.caseih.com.

Your CASE IH dealer carries a complete line of genuine CASE IH service parts. These parts are manufactured and carefully inspected to insure high quality and accurate fitting of any necessary replacement parts. Be prepared to give your dealer the model and product identification number of your new equipment when ordering parts. Locate these numbers now and record them below. For information on the location of the model and Product Identification Number (PIN) of your machine, see “Product identification” (1-4).

ATTENTION: *The engine and fuel system on your machine is designed and built to government emissions standards. Tampering by dealer, customers, operators, and users is strictly prohibited by law. Failure to comply could result in government fines, rework charges, invalid warranty, legal action, and possible confiscation of the machine until rework to original condition is completed. Engine service and/or repairs must be done by a certified technician only!*

Please record the following information


Model

Product Identification Number (PIN)

Date purchased

Engine model (as applicable)

Engine PIN (as applicable)

	This is the safety alert symbol. It is used with and without signal words to alert you to potential personal injury hazards. Obey all safety messages that follow this symbol to avoid possible death or injury.
---	--

WARNING

Illustrations in this manual may show protective shielding open or removed to better illustrate a particular feature or adjustment.

Replace all shields before operating the machine.

Failure to comply could result in death or serious injury.

W0012A

Improvements

CNH Industrial America LLC is continually striving to improve its products. We reserve the right to make improvements or changes when it becomes practical and possible to do so, without incurring any obligation to make changes or additions to the equipment sold previously.

Intended use

This tractor, with standard equipment and authorized attachments, is intended to be used for customary farming and related agriculture operations. Farming implements and attachments for loading and moving materials can be used on the tractor where recommended and approved by CASE IH. Installation of utility (dozer) blades, tile plows, or push bars on the tractor is not recommended. Any tractor damage resulting from the installation and/or use of such equipment is not covered by the tractor warranty.

Though the machine is designed to perform in most agricultural conditions, there may be a number of combinations for which there is severe degradation of performance of the machine or systems thereof. The machine performance depends on a number of limitative parameters, such as weather and terrain conditions, agricultural demands, and harvesting demands. If you notice degradation of performance, contact your CASE IH dealer for assistance. They may have useful information for improvements, or a kit may be available to enhance the performance.

Prior to delivery, all machines are carefully inspected by your local authorized CASE IH dealer, ensuring that the machine reaches the user in perfect condition. To maintain the tractor in this condition and ensure trouble-free operation, see "Maintenance chart" (7-21).

Prohibited usage

Consult an authorized CASE IH dealer about changes, additions, or modifications that can be required for this machine to comply with various regulations and safety requirements. Unauthorized modifications will cause serious injury or death. Anyone making such unauthorized modifications is responsible for the consequences.

NOTICE: *DO NOT use this machine for any purpose or in any manner other than as described in the manual, decals, or other product safety information provided with the machine. These materials define the intended use of the machine.*

NOTICE: *All persons who will be operating this tractor shall possess a valid local vehicle operating permit and/or other applicable local age work permits.*

Electro-Magnetic Compatibility (EMC)

Interference may arise as a result of add-on equipment that may not necessarily meet the required standards. As such interference can result in serious malfunction of the unit and/or create unsafe situations, you must observe the following:

- The maximum power of emission equipment (radio, telephones, etc.) must not exceed the limits imposed by the national authorities of the country where you use the machine
- The electro-magnetic field generated by the add-on system should not exceed **24 V/m** at any time and at any location in the proximity of electronic components
- The add-on equipment must not interfere with the functioning of the on board electronics

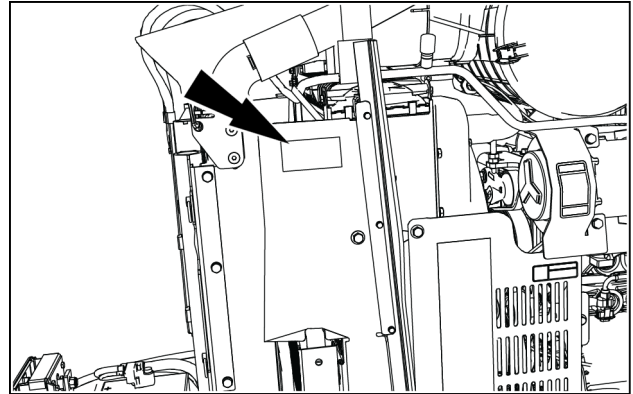
Failure to comply with these rules will render the CASE IH warranty null and void.

Product identification

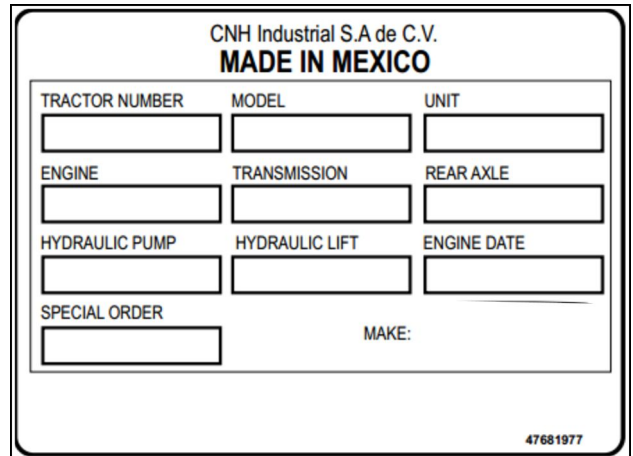
The machine is identified with a Vehicle Identification Number (VIN) plate as well as a serial number. You should supply the machine VIN plate data to your CASE IH dealer when requesting parts or service. The VIN is also used to identify the machine in case of theft.

Vehicle Identification Number (VIN) plate

The VIN plate is located on the left-hand side of the radiator support.

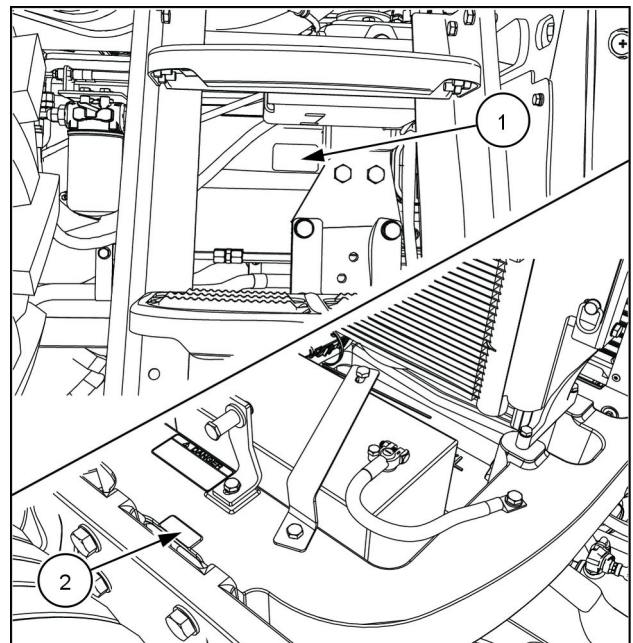


NHIL14TR00902AA 1



NHIL14TR00006AA 2

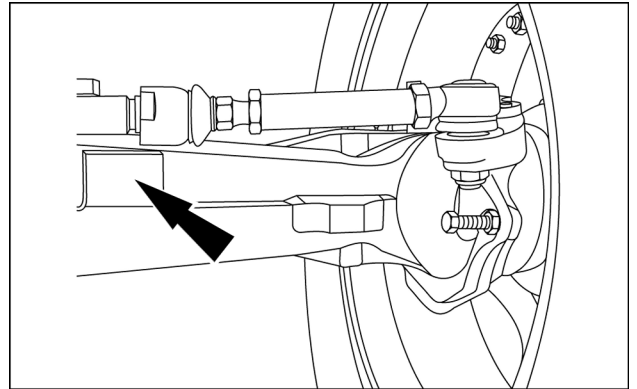
The serial number is found on the right-hand side of the transmission housing, behind the right-hand access ladder at (1). The serial number is also stamped on the top of the front axle support at (2).



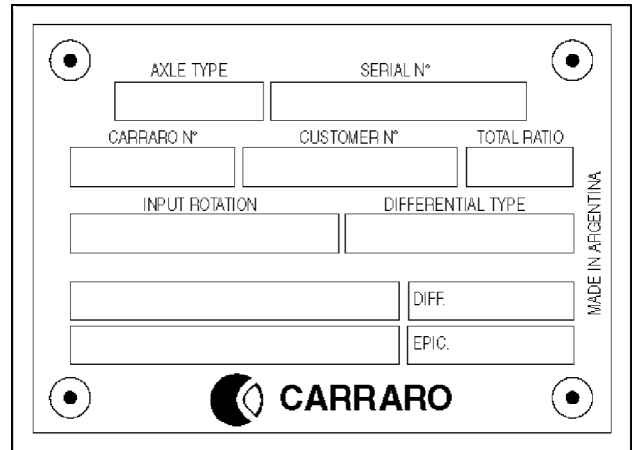
NHIL14TR00972BA 3

Four-Wheel Drive (4WD) front axle serial number plate

The standard duty front axle serial number plate is located on the rear right-hand side of the front axle housing.

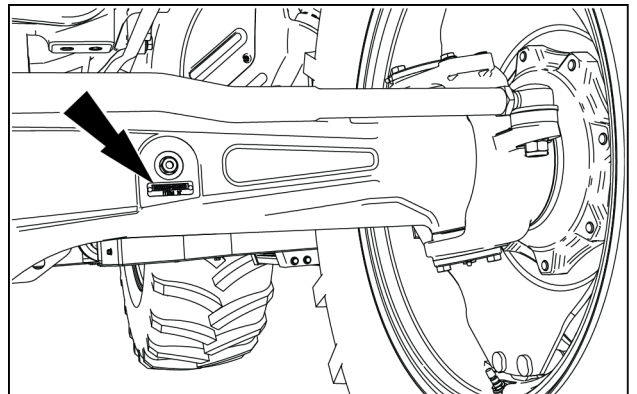


RCPH09TTS058AAD 4

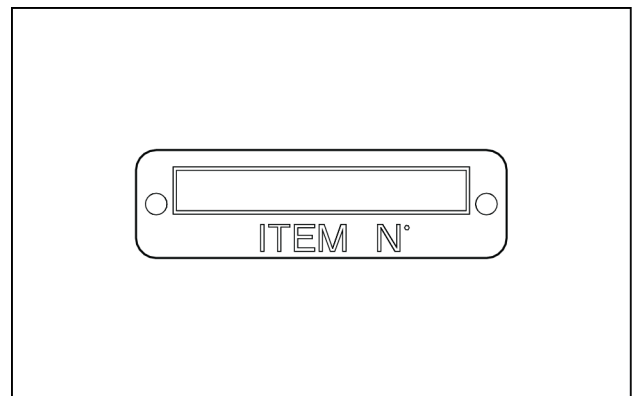


RCPH10TTS013AAD 5

The heavy duty front axle serial number plate is located on the front left-hand side of the front axle housing.



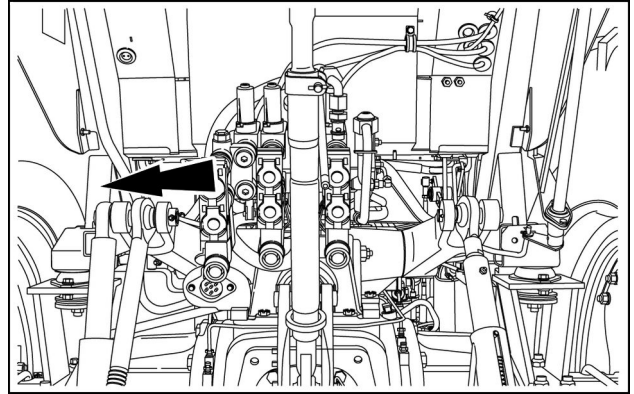
NHIL14TR00900AA 6



NHIL14TR00901AA 7

Roll-Over Protective Structure (ROPS) serial number

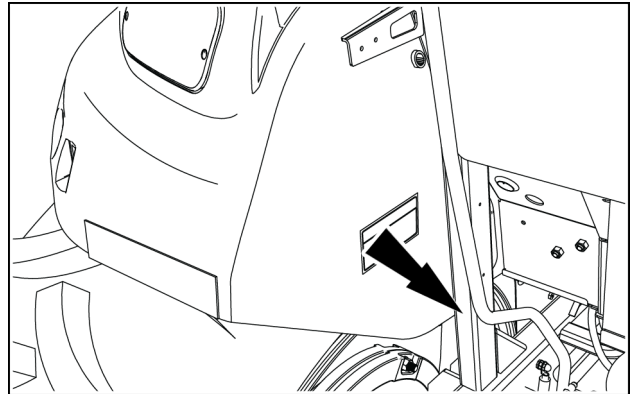
The Roll-Over Protective Structure (ROPS) serial number plate is located on the left-hand rear platform support.



NHIL15TR00189AA 8

Cab serial number

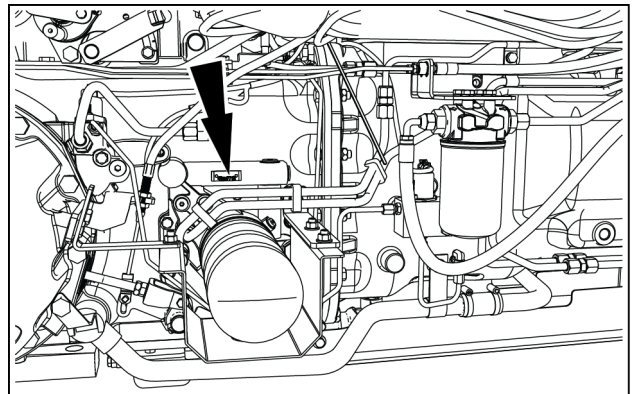
The cab serial number plate is located on the left-hand rear cab support.



NHIL14TR00915AA 9

Hydraulic pump serial number plate

The hydraulic pump serial number plate is located above the hydraulic oil filter on the right-hand side of the machine.



NHIL14TR00849AA 10

Buy Now



Our support email:

ebooklibonline@outlook.com