

**MAXXUM 100 X-LINE
MAXXUM 110 X-LINE
MAXXUM 115 X-LINE
MAXXUM 125 X-LINE
MAXXUM 140 X-LINE
Tractors**

Operator's Manual

82999345

CASE *ii*

Case IH

Maxxum 100 X-Line

Maxxum 110 X-Line

Maxxum 115 X-Line

Maxxum 125 X-Line

Maxxum 140 X-Line

Tractors

OPERATOR'S MANUAL



CASE IH

CONTENTS

| Title | Page |
|--|-------|
| Section 1 - General Information and Safety | |
| To the Owner | 1-1 |
| End User Licence Agreement Terms | 1-2 |
| Product Identification | 1-3 |
| Ecology and the Environment | 1-6 |
| Safety Precautions | 1-7 |
| Safety Decals | 1-14 |
| International Symbols | 1-19 |
| Airborne Noise Emission | 1-20 |
| Section 2 - Controls, Instruments and Operation | |
| Cab | 2-7 |
| Seats | 2-25 |
| Handbrake, Throttle and Foot Controls | 2-32 |
| Instrument Console | 2-34 |
| Analogue/Digital Instruments | 2-37 |
| Synchro Shift Transmission (12 x 12) | 2-67 |
| Two-speed Powershift Transmission (24 x 24) | 2-73 |
| Semi-Powershift Transmission (16 x 16 and 17 x 16)) | 2-84 |
| Differential Lock and Four Wheel Drive | 2-102 |
| Section 3 - Field Operation | |
| Important Information | 3-2 |
| Using Jump Leads (Booster Cables) | 3-4 |
| Starting the Engine | 3-5 |
| Stopping the Engine | 3-10 |
| Turn Assist | 3-12 |
| Rear Power Take-Off | 3-14 |
| Front Power Take-Off and Hydraulic Lift | 3-33 |
| Mechanical Lower Link Sensing Hydraulics | 3-41 |
| Electronic Hitch Control | 3-47 |
| Remote Control Valves | 3-59 |
| Electro-Hydraulic Remote Control Valves | 3-69 |
| Three-point Hitch | 3-83 |
| Quick Hitch | 3-90 |
| Linkage Stabilisers | 3-95 |
| Drawbars and Towing Attachments | 3-97 |
| Hydraulic Trailer Brakes | 3-113 |
| Air-Operated Trailer Brakes | 3-115 |
| Front Wheel Track Adjustment | 3-121 |
| Rear Wheel Track Adjustment | 3-128 |
| Ballasting and Tyres | 3-135 |

Section 4 - Lubrication and Maintenance

| | |
|---|------|
| General Information | 4-1 |
| Guard Removal | 4-5 |
| Lubrication and Maintenance Chart | 4-10 |
| Servicing: When Warning Lights Illuminate | 4-11 |
| 10-hour/daily service | 4-14 |
| 50-hour service | 4-17 |
| 100-hour service | 4-27 |
| 300-hour service | 4-27 |
| 600-hour service | 4-31 |
| 1200-hour/12 month service | 4-38 |
| 1200-hour/24 month service | 4-43 |
| 1800-hour service | 4-50 |
| Every 3 years | 4-51 |
| General Maintenance - as required | 4-52 |

Section 5 - Fault Finding

| | |
|--|------|
| Introduction | 5-1 |
| Engine | 5-2 |
| Transmission - 12 x 12 Synchro Shift | 5-5 |
| Transmission - 24 x 24 Two-speed Powershift | 5-6 |
| Transmission - 16 x 16 (17 x 16) Semi-Powershift | 5-7 |
| Hydraulics | 5-8 |
| Rear Three-Point Hitch | 5-9 |
| Brakes | 5-10 |
| Cab | 5-10 |
| Electrical | 5-11 |

Section 6 - Vehicle Storage 6-1

Section 7 - Accessories

| | |
|--|-----|
| Engine Coolant Immersion Heater | 7-2 |
| Transmission Oil Heater | 7-2 |
| 40 Amp Socket and Cable | 7-3 |
| Auxiliary Headlights | 7-3 |
| Battery Isolator Switch | 7-4 |
| Loader Subframe and Control Valve (Joystick) | 7-5 |

Section 8 - Specification

General Dimensions 8-2

Vehicle Weights 8-6

Lubricant and Fluid Capacities 8-8

Engine 8-9

Fuel System 8-9

Cooling System 8-10

Transmission Options 8-10

Brakes 8-11

Rear Power Take-Off 8-11

Front Power Take-Off 8-12

Steering 8-12

Maximum Operating Angle 8-12

Hydraulic System 8-13

Three-Point Hitch 8-14

Remote control valves 8-20

Front Three-Point Hitch 8-20

Front Remote Valves 8-21

Electrical Equipment 8-21

Hardware Torque Tables 8-22

Section 9 - First 50-hour Service Forms 9-1

Section 10 - Index 10-1

SECTION 1

GENERAL INFORMATION AND SAFETY

TO THE OWNER

GENERAL

This Manual has been prepared to assist you in the correct procedure for running-in, driving and operating and for the maintenance of your new tractor. Read this Manual carefully. Your tractor is intended for use in normal and customary agricultural applications.

If at any time you require advice concerning your tractor, do not hesitate to contact your authorised dealer. He has factory trained personnel, genuine manufacturers' parts and the necessary equipment to carry out all your service requirements.

Your tractor has been designed and built to give maximum performance, economy and ease of operation under a wide variety of operating conditions. Prior to delivery, the tractor was carefully inspected, both at the factory and by your dealer to ensure that it reaches you in optimum condition. To maintain this condition and ensure trouble-free operation, it is important that the routine services, as specified in Section 4 of this Manual, are carried out at the recommended intervals.

OPERATORS MANUAL STORAGE

A storage pocket for the Operators Manual can be found on the rear of the seat. The manual should be kept in this pocket at all times when not in use.

CLEANING THE TRACTOR

Your tractor is a state-of-the-art machine with sophisticated, electronic controls. This should be borne in mind when cleaning the tractor, particularly if using a high pressure washer. Even though every precaution has been taken to safeguard electronic components and connections, the pressure generated by some of these machines is such that complete protection against water ingress cannot be guaranteed.

When using a high pressure washer, do not stand too close to the tractor and avoid directing the jet at electronic components, electrical connections, breathers, seals, filler caps, etc. Never direct a cold water jet at a hot engine or exhaust.

SAFETY

Pages 1-7 to 1-13 inclusive list the precautions to be observed to ensure your safety and the safety of others. Read the safety precautions and follow the advice offered **before** operating the tractor.

FIRST 50 HOUR SERVICE

In Section 9, at the back of this Manual, you will find the 50-hour service reports.

After you have operated the tractor for 50 hours, take your tractor, together with this Manual, to your dealer. He will then perform the factory recommended 50 hour service and complete the service report sheets (pages 9-1 and 9-3). The first sheet (page 9-1) is the dealer's copy and should be removed by the dealer after the service has been carried out. The second sheet (page 9-3) is your copy of the service performed. **Ensure that you and the dealer sign both copies.**

SERVICE PARTS

It should be pointed out that genuine parts have been examined and approved by the Company. The installation and/or use of 'non-genuine' products could have negative effects upon the design characteristics of your tractor and thereby affect its safety. The Company is not liable for any damage caused by the use of 'non-genuine' parts and accessories. Only genuine Case IH replacement parts should be used. The use of non-genuine parts may invalidate legal approvals associated with this product.

It is prohibited to carry out any modifications to the tractor unless specifically authorised, in writing, by the After Sales Service department of the Company.

WARRANTY

Your tractor is warranted according to legal rights in your country and the contractual agreement with the selling dealer. No warranty shall, however, apply if the tractor has not been used, adjusted and maintained according to the instructions given in the Operator's Manual.

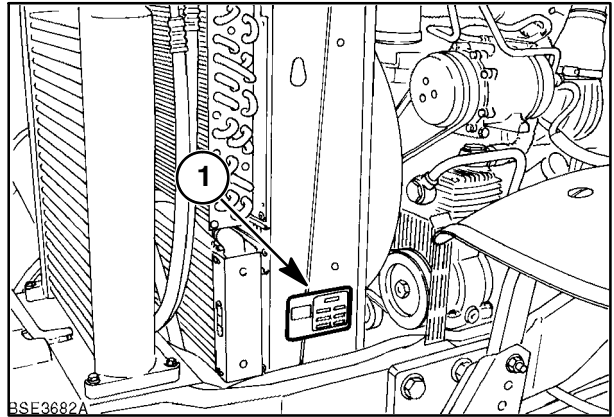
END USER LICENCE AGREEMENT TERMS

- You have acquired a device ("DEVICE") that includes Software licensed by CHN America LLC from Microsoft Licensing, GP or its affiliates ("MS"). Those installed software products of MS origin, as well as associated media, printed materials, and "online" or electronic documentation ("SOFTWARE") are protected by international intellectual property laws and treaties. The SOFTWARE is licensed, not sold. All rights reserved.
- IF YOU DO NOT AGREE TO THIS END USER LICENSE AGREEMENT ("EULA"), DO NOT USE THE DEVICE OR COPY THE SOFTWARE. INSTEAD, PROMPTLY CONTACT CNH AMERICA LLC FOR INSTRUCTIONS ON RETURN OF THE UNUSED DEVICE(S) FOR A REFUND. **ANY USE OF SOFTWARE INCLUDING BUT NOT LIMITED TO USE ON THE DEVICE, WILL CONSTITUTE YOUR AGREEMENT TO THIS EULA (OR RATIFICATION OF ANY PREVIOUS CONSENT.)**
- **GRANT OF SOFTWARE LICENSE.** This EULA grants you the following license:
 - You may use the SOFTWARE only on the DEVICE.
 - **NOT FAULT TOLERANT.** THE SOFTWARE IS NOT FAULT TOLERANT. CNH AMERICA LLC HAS INDEPENDENTLY DETERMINED HOW TO USE THE SOFTWARE IN THE DEVICE, AND MS HAS RELIED UPON CNH AMERICA LLC TO CONDUCT SUFFICIENT TESTING TO DETERMINE THAT THE SOFTWARE IS SUITABLE FOR SUCH USE.
 - **NO WARRANTIES FOR THE SOFTWARE.** THE SOFTWARE is provided "AS IS" and with all faults. THE ENTIRE RISK AS TO SATISFACTORY QUALITY, PERFORMANCE, ACCURACY AND EFFORT (INCLUDING LACK OF NEGLIGENCE) IS WITH YOU. ALSO, THERE IS NO WARRANTY AGAINST INTERFERENCE WITH YOUR ENJOYMENT OF THE SOFTWARE OR AGAINST INFRINGEMENT. **IF YOU HAVE RECEIVED ANY WARRANTIES REGARDING THE DEVICE OR THE SOFTWARE, THOSE WARRANTIES DO NOT ORIGINATE FROM, AND ARE NOT BINDING ON, MS.**
 - **No Liability for Certain Damages.** **EXCEPT AS PROHIBITED BY LAW, MS SHALL HAVE NO LIABILITY FOR ANY INDIRECT, SPECIAL, CONSEQUENTIAL OR INCIDENTAL DAMAGES ARISING FROM OR IN CONNECTION WITH THE USE OR PERFORMANCE OF THE SOFTWARE. THIS LIMITATION SHALL APPLY EVEN IF ANY REMEDY FAILS OF ITS ESSENTIAL PURPOSE. IN NO EVENT SHALL MS BE LIABLE FOR ANY AMOUNT IN EXCESS OF U.S. TWO HUNDRED AND FIFTY DOLLARS (U.S. \$250.00)**
 - **Limitations on Reverse Engineering, Decompilation, and Disassembly.** You may not reverse engineer, decompile, or disassemble the SOFTWARE, except and only to the extent that such activity is expressly permitted by application law notwithstanding this limitation.
 - **SOFTWARE TRANSFER ALLOWED BUT WITH RESTRICTIONS.** You may permanently transfer rights under this EULA only as part of a permanent sale or transfer of the DEVICE, and only if the recipient agrees to this EULA. If the SOFTWARE is an upgrade, any transfer must also include all prior versions of the SOFTWARE.
 - **EXPORT RESTRICTIONS.** You acknowledge that SOFTWARE is subject to U.S. export jurisdiction. You agree to comply with all applicable international and national laws that apply to the SOFTWARE, including the U.S. Export Administration Regulations, as well as end-user, end-use and destination restrictions issued by U.S. and other governments. For additional information see <http://www.microsoft.com/exporting/>.

PRODUCT IDENTIFICATION

The tractor and major components are identified using serial numbers and/or manufacturing codes. Tractor identification data must be supplied to the dealer when requesting parts or service and will also be needed to aid in identifying the tractor if it is ever stolen.

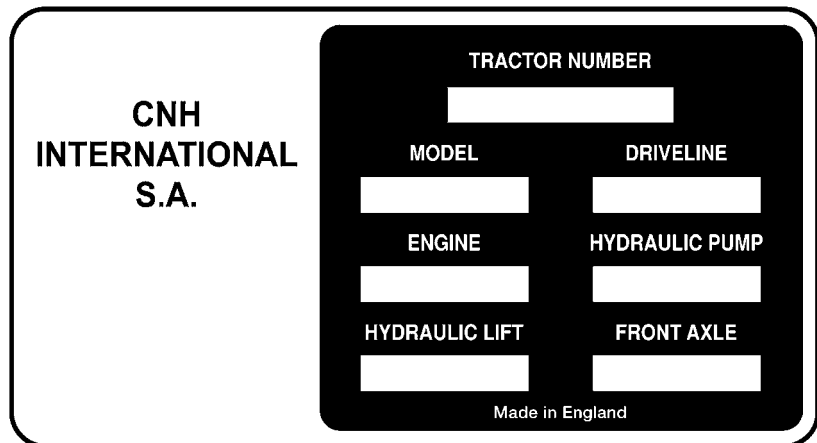
The following provides the locations of the identification data.



1

Vehicle Identification Plate

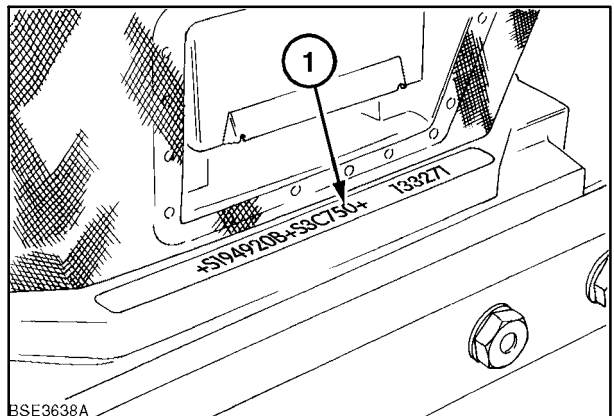
The vehicle identification plate, (1) Figure 1 is located on the left-hand radiator support. Record the information on the sample identification plate provided below.



2

Tractor Identification

The serial number and model identification information is stamped on the top of the front support (1). These numbers are also repeated on the vehicle identification plate reproduced above.



3

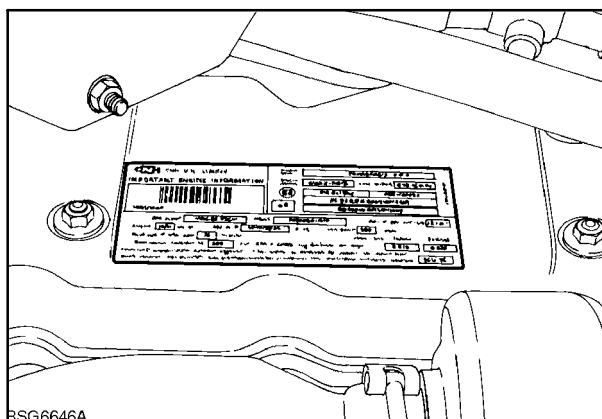
Engine Identification

The engine serial number and date code can be found on the engine identification plate.

The identification plate is located on top of the engine attached to the valve cover. The plate also provides information on engine adjustments and compliance with Emission Regulations where required.

Record the information below for quick reference.

Engine Serial No. _____

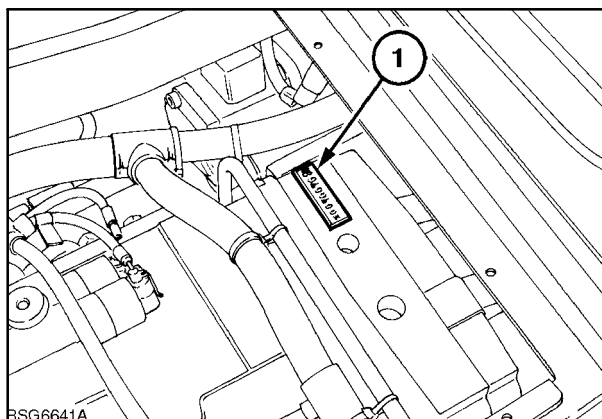


4

Driveline Identification

The serial number plate (1) is located on top of the transmission casing. Access to the number can be gained by removing the plate in the floor of the cab as shown in the illustration. This number is repeated on the vehicle identification plate. Record the information below for quick reference.

Driveline Serial No. _____



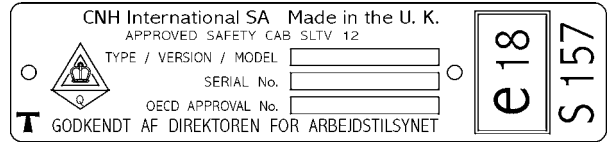
5

SECTION 1 - GENERAL INFORMATION AND SAFETY

Cab Identification

The cab serial number and other information is on the OECD certification plate. This plate can be found on the right-hand side of the cab trim panel, below the rear window. Record the cab serial number below for quick reference.

Cab Serial No. _____



6

Vehicle Weight Information

The Vehicle Weighting Plate provides important information on tractor and towed equipment weight combinations. This plate can be found on the right-hand side of the cab trim panel, below the rear window.

The figures shown are the maximum permissible weights and should not be exceeded, to do so may affect the safe operation of the tractor.

| | | | | |
|--|-------|------------------|--------------------------|----------------------------|
| CNH International SA | | Made in the U.K. | | A B S C E F |
| TYPE | _____ | | | |
| No. | _____ | | | |
| IDENTIFICATION No. | _____ | | | |
| TOTAL PERMISSIBLE MASS : | _____ | KG | <input type="checkbox"/> | |
| PERMISSIBLE FRONT AXLE LOAD : | _____ | KG | <input type="checkbox"/> | |
| PERMISSIBLE REAR AXLE LOAD : | _____ | KG | <input type="checkbox"/> | |
| <input type="radio"/> PERMISSIBLE TOWABLE MASS | | | | <input type="radio"/> |
| UNBRAKED TOWABLE MASS : | _____ | KG | <input type="checkbox"/> | |
| INDEPENDENTLY - BRAKED : | _____ | KG | <input type="checkbox"/> | |
| INERTIA - BRAKED : | _____ | KG | <input type="checkbox"/> | |
| ASSISTED BRAKE : | _____ | KG | <input type="checkbox"/> | |

BSE3612A

7

ECOLOGY AND THE ENVIRONMENT

Soil, air and water are vital factors of agriculture and life in general. Where legislation does not yet rule the treatment of some of the substances which are required by advanced technology, common sense should govern the use and disposal of products of a chemical and petrochemical nature.

The following are recommendations which may be of assistance:

- Become acquainted with and ensure that you understand the relative legislation applicable to your country.
- Where no legislation exists, obtain information from suppliers of oils, filters, batteries, fuels, anti freeze, cleaning agents, etc., with regard to their effect on man and nature and how to safely store, use and dispose of these substances. Agricultural consultants will, in many cases, be able to help you as well.

HELPFUL HINTS

1. Avoid filling tanks using unsuitable containers or inappropriate pressurised fuel delivery systems which may cause considerable spillage.
2. In general, avoid skin contact with all fuels, oils, acids, solvents, etc. Most of them contain substances which can be harmful to your health.

3. Modern oils contain additives. Do not burn contaminated fuels and/or waste oils in ordinary heating systems.
4. Avoid spillage when draining off used engine coolant mixtures, engine, gearbox and hydraulic oils, brake fluids, etc. Do not mix drained brake fluids or fuels with lubricants. Store them safely until they can be disposed of in a proper way to comply with local legislation and available resources.
5. Modern coolant mixtures, i.e. antifreeze and other additives, should be replaced every two years. They should not be allowed to get into the soil but should be collected and disposed of safely.
6. Do not open the air-conditioning system yourself. It contains gases which should not be released into the atmosphere. Your dealer or air conditioning specialist has a special extractor for this purpose and will have to recharge the system anyway.
7. Repair any leaks or defects in the engine cooling or hydraulic system immediately.
8. Do not increase the pressure in a pressurised circuit as this may lead to the components exploding.
9. Protect hoses during welding as penetrating weld splatter may burn a hole or weaken them, causing the loss of oils, coolant, etc.

SAFETY PRECAUTIONS

A careful operator is the best operator. Most accidents can be avoided by observing certain precautions. To help prevent accidents, read and take the following precautions **before** driving, operating or servicing the tractor. Equipment should be operated only by those who are responsible and instructed to do so.

PRECAUTIONARY STATEMENTS

Throughout this Manual you will see text, preceded by the words **NOTE**, **ATTENTION**, **IMPORTANT**, **CAUTION**, **WARNING** or **DANGER**. Such text has the following significance:

MACHINE SAFETY

NOTE: This text stresses a correct operating technique or procedure.

ATTENTION: This text warns the operator of potential machine damage if a certain procedure is not followed.

IMPORTANT: This text informs the reader of something that he needs to know to prevent minor machine damage if a certain procedure is not followed.

PERSONAL SAFETY



The word **CAUTION** is used where a safe behavioural practice, according to operating and maintenance instructions and common safety practices will protect the operator and others from accident involvement.



The word **WARNING** denotes a potential or hidden hazard which could possibly cause serious injury. It is used to warn operators and others to exercise due care and attention to avoid a surprise accident with machinery.

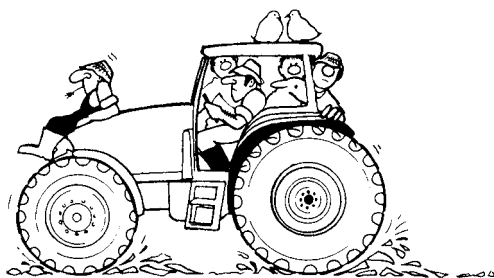


The word **DANGER** denotes a forbidden practice in connection with a serious hazard.

Failure to follow the **CAUTION**, **WARNING** and **DANGER** instructions may result in serious bodily injury or even death.

THE TRACTOR

1. Read the Operator's Manual carefully before using the tractor. Lack of operating knowledge can lead to accidents.
2. Only allow properly trained and qualified persons to operate the tractor.
3. To prevent falls, use the handrails and step plates when getting on and off the tractor. Keep steps and platform clear of mud and debris.
4. Replace all missing, illegible or damaged safety decals.
5. Keep safety decals free of dirt or grime.



6. Do not permit anyone but the operator to ride on the tractor except for driver training or instruction. When used for these purposes an additional seat may be fitted in the cab. Passengers should not be carried on the tractor at any time.
7. Keep children away from the tractor and farm machinery at all times.
8. Do not modify or alter or permit anyone else to modify or alter the tractor or any of its components or any tractor function without first consulting your dealer.
9. Install all guards before starting the engine or operating the tractor.

Buy Now



Our support email:

ebooklibonline@outlook.com